



Drives
Motors
Softstarters
Electrification

Müşteri adı
Customer name

BEŞİKTAŞ TERSANESİ

Proje açıklaması
Project description

25 TON BOMLU VİNC

Pano açıklaması
Panelboard description

2400mm Gx 2000mmY x 500mmD

Pano kodu
TAG of Panelboard

-

Pano tipi
Panelboard type

Dikili Tip

Pano rengi
Panelboard Color

RAL7035

Revizyon no
Revision no

R2

NOTES:

Parts list

Part List

Device tag	Quantity	Designation	Type number	Supplier	Part number
-3H1	1	Missing Translation	NGR NPS3 32240	NITRA	NITRA.NGR NPS3 32240
-3H2	1	Missing Translation	NGR NPS3 32240	NITRA	NITRA.NGR NPS3 32240
-3H3	1	Missing Translation	NGR NPS3 32240	NITRA	NITRA.NGR NPS3 32240
-3H4	1	Missing Translation	NGR NPS3 32240	NITRA	NITRA.NGR NPS3 32240
-3H5	1	Missing Translation	NGR NPS3 32240	NITRA	NITRA.NGR NPS3 32240
-3H6	1	Missing Translation	NGR NPS3 32240	NITRA	NITRA.NGR NPS3 32240
_MP-63A1	1				1SAP24000R0001
_MP-70A1	1				1SAP24060R0001
_MP-71A1	1				1SAP25060R0001
_MP-73A1	1				1SAP25010R0001
_MP-77A1	1				1SAP24000R0001
_MP-1F1	1	Miniature Circuit Breaker - S200 - 1P - C - 2 A	S 201-C2	ABB	ABB.2CDS251001R0024
_MP-1F2	1	Miniature Circuit Breaker - S200 - 1P - C - 2 A	S 201-C2	ABB	ABB.2CDS251001R0024
_MP-1F3	1	Miniature Circuit Breaker - S200 - 1P - C - 2 A	S 201-C2	ABB	ABB.2CDS251001R0024
_MP-2F1	1	Miniature Circuit Breaker - S200 - 2P - C - 4 A	S202-C4	ABB	ABB.2CDS252001R0044
_MP-2F2	1	Miniature Circuit Breaker - S200 - 2P - C - 6 A	S202-C6	ABB	ABB.2CDS252001R0064
_MP-2F3	1	Miniature Circuit Breaker - S200 - 1P - C - 2 A	S 201-C2	ABB	ABB.2CDS251001R0024
_MP-2F4	1	Miniature Circuit Breaker - S200 - 1P - C - 2 A	S 201-C2	ABB	ABB.2CDS251001R0024
_MP-2F5	1	Miniature Circuit Breaker - S200 - 1P - C - 2 A	S 201-C2	ABB	ABB.2CDS251001R0024
_MP-2F6	1	Miniature Circuit Breaker - S200 - 1P - C - 2 A	S 201-C2	ABB	ABB.2CDS251001R0024
_MP-2F7	1	Miniature Circuit Breaker - S200 - 2P - C - 20 A	S202-C20	ABB	ABB.2CDS252001R0204
_MP-2F8	1	S202-C32 Miniature Circuit Breaker - 2P - C - 32 A	S202-C32	ABB	ABB.2CDS252001R0324
_MP-2F9	1	Miniature Circuit Breaker - S200 - 2P - C - 4 A	S202-C4	ABB	ABB.2CDS252001R0044
_MP-3F1	1	Miniature Circuit Breaker - S200 - 2P - C - 16 A	S202-C16	ABB	ABB.2CDS252001R0164
_MP-4F1	1	Miniature Circuit Breaker - S200 - 1P - C - 2 A	S 201-C2	ABB	ABB.2CDS251001R0024
_MP-5F1	1	Miniature Circuit Breaker - S200 - 1P - C - 2 A	S 201-C2	ABB	ABB.2CDS251001R0024
_MP-5F2	1	Miniature Circuit Breaker - S200 - 1P - C - 2 A	S 201-C2	ABB	ABB.2CDS251001R0024
_MP-5F3	1	Miniature Circuit Breaker - S200 - 1P - C - 16 A	S201-C16	ABB	ABB.2CDS251001R0164
_MP-5F4	1	Miniature Circuit Breaker - S200 - 1P - C - 2 A	S 201-C2	ABB	ABB.2CDS251001R0024
_MP-10F	1	XLP00-6BC - NH Fuse Holder	XLP00-6BC	ABB	ABB.1SEP101890R0002
_MP-10F	3				W320179
_MP-20F	1	XLP00-6BC - NH Fuse Holder	XLP00-6BC	ABB	ABB.1SEP101890R0002
_MP-20F	3	NH Hızlı Tip 00Boy 80 aR Bıçaklı Sigorta	Q320059	MERSEN	Q320059
_MP-30F	1	XLP 000-6CC - NH Fuse Holder	XLP 000-6CC	ABB	ABB.1SEP201428R0002
_MP-30F	3	NH Hızlı Tip 00Boy 160 aR Bıçaklı Sigorta	B320069	MERSEN	B320069
_MP-50F	1	Bıçaklı Sigorta Taşıyıcıları, 3 kutuplu	XLP 000-6CC	ABB	1SEP201428R0002
_MP-50F	3	NH Hızlı Tip 000Boy 63 aR Bıçaklı Sigorta	L320055	MERSEN	L320055
_MP-10FC	1				ABB.ACS880-01-169A-3+L502+N5050+D150
_MP-10FC	1	HTL Artımlı Enkoder Arayüz Kartı	FEN-31	ABB	ABB.FEN-31
_MP-20FC	1				ABB.ACS880-01-045A-3+D150+N5050+L502
_MP-20FC	1	HTL Artımlı Enkoder Arayüz Kartı	FEN-31	ABB	ABB.FEN-31
_MP-30FC	1				ABB.ACS880-01-087A-3+L502+N5050+D150
_MP-30FC	1	HTL Artımlı Enkoder Arayüz Kartı	FEN-31	ABB	ABB.FEN-31
_MP-50FC	1	ABB ACS880-01-032A-3 Pcont.max:15KW, Icont.max:32A	ACS880-01-032A-3	ABB	ABB.ACS880-01-032A-3
_MP-1FRK	1	Phase loss monitoring relay 1n/o, L1,2,3= 380-440VAC	CM-PFE	ABB	ABB.15VR50824R9100
_MP-2GK	1	Power supply 240W, in: 1 phase 100-240VAC/90-350VDC, out: 24VDC/10A	S8VKC24024	QMR	QMR.S8VK-C24024
_MP-1H1	1	Compact Pilot Light Red LED 230V AC	CL2-523R	ABB	ABB.1SFA619403R5231
_MP-1H2	1	Compact Pilot Light Red LED 230V AC	CL2-523R	ABB	ABB.1SFA619403R5231
_MP-1H3	1	Compact Pilot Light Red LED 230V AC	CL2-523R	ABB	ABB.1SFA619403R5231
_MP-5H1	1	Missing Translation	AN10.00430	ACK	ACK.AN10.00430
_MP-5H2	1	Lighting Armature (2x18W)	Lighting Armature (2x18W)	PELSAN	PELSAN.Floresan Lighting Armature (2x18W)
_MP-5H3	1	Lighting Armature (2x18W)	Lighting Armature (2x18W)	PELSAN	PELSAN.Floresan Lighting Armature (2x18W)
_MP-5H4	1	Lighting Armature (2x18W)	Lighting Armature (2x18W)	PELSAN	PELSAN.Floresan Lighting Armature (2x18W)
_MP-61KA1	1	NF40E-13 100-250V50/60HZ-DC Contactor Relay	NF40E	ABB	ABB.1SBH137001R1340
_MP-61KA1	3	CA4-10 Auxiliary Contact Block	CA4-10	ABB	ABB.1SBN010110R1010
_MP-3KM1	1	AF09-40-00 100-250V50/60HZ-DC Contactor	AF09-40-00	ABB	ABB.1SBL137201R1300

EDITOR	Simge NALBANTOĞLU
DATE	
CONTROLLER	Barış DEMİR



Part List

= 00SMC00GH00x
+ SMC00
Page / 1
2

Parts list

Part List

Device tag	Quantity	Designation	Type number	Supplier	Part number
_MP-4KM1	1	AF205-30-11-13 Contactor	AF205-30-11-13	ABB	ABB.1SFL527002R1311
_MP-4KM2	1	AF09-30-10 100-250V50/60HZ-DC Contactor	AF09-30-10	ABB	ABB.1SBL137001R1310
_MP-6KM1	1	AF09-30-10 100-250V50/60HZ-DC Contactor	AF09-30-10	ABB	ABB.1SBL137001R1310
_MP-12KM1	1	AF09-30-10 100-250V50/60HZ-DC Contactor	AF09-30-10	ABB	ABB.1SBL137001R1310
_MP-12KM1	2	CA4-10 Auxillary Contact Block	CA4-10	ABB	ABB.1SBN010110R1010
_MP-12KM2	1	AF09-30-10 100-250V50/60HZ-DC Contactor	AF09-30-10	ABB	ABB.1SBL137001R1310
_MP-12KM2	2	CA4-10 Auxillary Contact Block	CA4-10	ABB	ABB.1SBN010110R1010
_MP-22KM1	1	AF09-30-10 100-250V50/60HZ-DC Contactor	AF09-30-10	ABB	ABB.1SBL137001R1310
_MP-22KM1	1	CA4-10 Auxillary Contact Block	CA4-10	ABB	ABB.1SBN010110R1010
_MP-22KM2	1	AF09-30-10 100-250V50/60HZ-DC Contactor	AF09-30-10	ABB	ABB.1SBL137001R1310
_MP-22KM2	1	CA4-10 Auxillary Contact Block	CA4-10	ABB	ABB.1SBN010110R1010
_MP-32KM1	1	AF09-30-10 100-250V50/60HZ-DC Contactor	AF09-30-10	ABB	ABB.1SBL137001R1310
_MP-32KM1	1	CA4-10 Auxillary Contact Block	CA4-10	ABB	ABB.1SBN010110R1010
_MP-32KM2	1	AF09-30-10 100-250V50/60HZ-DC Contactor	AF09-30-10	ABB	ABB.1SBL137001R1310
_MP-32KM2	1	CA4-10 Auxillary Contact Block	CA4-10	ABB	ABB.1SBN010110R1010
_MP-32KM3	1	AF09-30-10 100-250V50/60HZ-DC Contactor	AF09-30-10	ABB	ABB.1SBL137001R1310
_MP-32KM3	1	CA4-10 Auxillary Contact Block	CA4-10	ABB	ABB.1SBN010110R1010
_MP-32KM4	1	AF09-30-10 100-250V50/60HZ-DC Contactor	AF09-30-10	ABB	ABB.1SBL137001R1310
_MP-32KM4	1	CA4-10 Auxillary Contact Block	CA4-10	ABB	ABB.1SBN010110R1010
_MP-52KM1	1	AF09-30-10 100-250V50/60HZ-DC Contactor	AF09-30-10	ABB	ABB.1SBL137001R1310
_MP-52KM1	2	CA4-10 Auxillary Contact Block	CA4-10	ABB	ABB.1SBN010110R1010
_MP-LB	1	Missing Translation	LB.2107.063	TEKPAN	LB.2107.063
_MP-5M1	1	5BW 560 m3 /saat Tepe fanı	982.202	TEKPAN	TEK.982.202
_MP-5PRZ	1	M1175 Socket outlet	M1175	ABB	ABB.2CSM210000R0721
_MP-5PRZ2	1	Covered Grounded Socket 220/240 16A	40500505	METE	METE.40500505
_MP-1Q1	1	C.Breaker Formula A2N 250 Fixed Ple With Front Terminals and Thermomagnetic Release TMF R 250-2500A2N250, TMF, In=250A		ABB	ABB.1SDA066786R1
_MP-6Q1	1	Manual Motor Starter	MS116-2,5	ABB	ABB.1SAM250000R1007
_MP-6Q1	1	Manuel Motor Starter Auxillary Contact	HKF1-11	ABB	ABB.1SAM201901R1001
_MP-6Q2	1	Manual Motor Starter	MS116-2,5	ABB	ABB.1SAM250000R1007
_MP-6Q2	1	Manuel Motor Starter Auxillary Contact	HKF1-11	ABB	ABB.1SAM201901R1001
_MP-11Q1	1	Manual Motor Starter	MS116-1	ABB	ABB.1SAM250000R1005
_MP-11Q1	1	Manuel Motor Starter Auxillary Contact	HKF1-11	ABB	ABB.1SAM201901R1001
_MP-11Q2	1	Manual Motor Starter	MS116-1	ABB	ABB.1SAM250000R1005
_MP-11Q2	1	Manuel Motor Starter Auxillary Contact	HKF1-11	ABB	ABB.1SAM201901R1001
_MP-11Q3	1	Manual Motor Starter	MS116-1.6	ABB	ABB.1SAM250000R1006
_MP-11Q3	1	Manuel Motor Starter Auxillary Contact	HKF1-11	ABB	ABB.1SAM201901R1001
_MP-21Q1	1	Manual Motor Starter	MS116-1	ABB	ABB.1SAM250000R1005
_MP-21Q1	1	Manuel Motor Starter Auxillary Contact	HKF1-11	ABB	ABB.1SAM201901R1001
_MP-21Q2	1	Manual Motor Starter	MS116-1	ABB	ABB.1SAM250000R1005
_MP-21Q2	1	Manuel Motor Starter Auxillary Contact	HKF1-11	ABB	ABB.1SAM201901R1001
_MP-21Q3	1	Manual Motor Starter	MS116-1.6	ABB	ABB.1SAM250000R1006
_MP-21Q3	1	Manuel Motor Starter Auxillary Contact	HKF1-11	ABB	ABB.1SAM201901R1001
_MP-31Q1	1	Manual Motor Starter	MS116-1.6	ABB	ABB.1SAM250000R1006
_MP-31Q1	1	Manuel Motor Starter Auxillary Contact	HKF1-11	ABB	ABB.1SAM201901R1001
_MP-31Q2	1	Manual Motor Starter	MS116-1	ABB	ABB.1SAM250000R1005
_MP-31Q2	1	Manuel Motor Starter Auxillary Contact	HKF1-11	ABB	ABB.1SAM201901R1001
_MP-31Q3	1	Manual Motor Starter	MS116-1	ABB	ABB.1SAM250000R1005
_MP-31Q3	1	Manuel Motor Starter Auxillary Contact	HKF1-11	ABB	ABB.1SAM201901R1001
_MP-31Q4	1	Manual Motor Starter	MS116-1.6	ABB	ABB.1SAM250000R1006
_MP-31Q4	1	Manuel Motor Starter Auxillary Contact	HKF1-11	ABB	ABB.1SAM201901R1001
_MP-50Q1	1	Manual Motor Starter	MS116-12	ABB	ABB.1SAM250000R1012
_MP-50Q1	1	Manuel Motor Starter Auxillary Contact	HKF1-11	ABB	ABB.1SAM201901R1001
_MP-50Q2	1	Manual Motor Starter	MS116-12	ABB	ABB.1SAM250000R1012
_MP-50Q2	1	Manuel Motor Starter Auxillary Contact	HKF1-11	ABB	ABB.1SAM201901R1001
_MP-51Q1	1	Manual Motor Starter	MS116-1	ABB	ABB.1SAM250000R1005
_MP-51Q1	1	Manuel Motor Starter Auxillary Contact	HKF1-11	ABB	ABB.1SAM201901R1001

EDITOR	Simge NALBANTOĞLU
DATE	
CONTROLLER	Barış DEMİR



Part List

= 00SMC00GH00x
+ SMC00
Page / 2
3

Parts list

Part List

Device tag	Quantity	Designation	Type number	Supplier	Part number
_MP-51Q2	1	Manual Motor Starter	MS116-1	ABB	ABB.1SAM250000R1005
_MP-51Q2	1	Manuel Motor Starter Auxiliary Contact	HKF1-11	ABB	ABB.1SAM201901R1001
_MP-10R	1				BRE-H27n.90K0.0004
_MP-13R1	1	CR-M230AC3 Pluggable interface relay 3c/o, A1-A2=230VAC, 250V/10A	CR-M230AC3	ABB	ABB.1SVR405612R3000
_MP-13R1	1	CR-M3SS Standard socket for 3c/o CR-M relay	CR-M3SS	ABB	ABB.1SVR405651R2000
_MP-13R2	1	CR-M230AC3 Pluggable interface relay 3c/o, A1-A2=230VAC, 250V/10A	CR-M230AC3	ABB	ABB.1SVR405612R3000
_MP-13R2	1	CR-M3SS Standard socket for 3c/o CR-M relay	CR-M3SS	ABB	ABB.1SVR405651R2000
_MP-16R1	1	CR-M230AC3 Pluggable interface relay 3c/o, A1-A2=230VAC, 250V/10A	CR-M230AC3	ABB	ABB.1SVR405612R3000
_MP-16R1	1	CR-M3SS Standard socket for 3c/o CR-M relay	CR-M3SS	ABB	ABB.1SVR405651R2000
_MP-16R2	1	CR-M230AC3 Pluggable interface relay 3c/o, A1-A2=230VAC, 250V/10A	CR-M230AC3	ABB	ABB.1SVR405612R3000
_MP-16R2	1	CR-M3SS Standard socket for 3c/o CR-M relay	CR-M3SS	ABB	ABB.1SVR405651R2000
_MP-16R3	1	CR-M230AC3 Pluggable interface relay 3c/o, A1-A2=230VAC, 250V/10A	CR-M230AC3	ABB	ABB.1SVR405612R3000
_MP-16R3	1	CR-M3SS Standard socket for 3c/o CR-M relay	CR-M3SS	ABB	ABB.1SVR405651R2000
_MP-16R4	1	CR-M230AC3 Pluggable interface relay 3c/o, A1-A2=230VAC, 250V/10A	CR-M230AC3	ABB	ABB.1SVR405612R3000
_MP-16R4	1	CR-M3SS Standard socket for 3c/o CR-M relay	CR-M3SS	ABB	ABB.1SVR405651R2000
_MP-20R	1				BRE-H20n.22K0.0013
_MP-26R1	1	CR-M230AC3 Pluggable interface relay 3c/o, A1-A2=230VAC, 250V/10A	CR-M230AC3	ABB	ABB.1SVR405612R3000
_MP-26R1	1	CR-M3SS Standard socket for 3c/o CR-M relay	CR-M3SS	ABB	ABB.1SVR405651R2000
_MP-26R2	1	CR-M230AC3 Pluggable interface relay 3c/o, A1-A2=230VAC, 250V/10A	CR-M230AC3	ABB	ABB.1SVR405612R3000
_MP-26R2	1	CR-M3SS Standard socket for 3c/o CR-M relay	CR-M3SS	ABB	ABB.1SVR405651R2000
_MP-26R3	1	CR-M230AC3 Pluggable interface relay 3c/o, A1-A2=230VAC, 250V/10A	CR-M230AC3	ABB	ABB.1SVR405612R3000
_MP-26R3	1	CR-M3SS Standard socket for 3c/o CR-M relay	CR-M3SS	ABB	ABB.1SVR405651R2000
_MP-26R4	1	CR-M230AC3 Pluggable interface relay 3c/o, A1-A2=230VAC, 250V/10A	CR-M230AC3	ABB	ABB.1SVR405612R3000
_MP-26R4	1	CR-M3SS Standard socket for 3c/o CR-M relay	CR-M3SS	ABB	ABB.1SVR405651R2000
_MP-30R	1				BRE-H20n.45K0.0008
_MP-33R1	1	CR-M230AC3 Pluggable interface relay 3c/o, A1-A2=230VAC, 250V/10A	CR-M230AC3	ABB	ABB.1SVR405612R3000
_MP-33R1	1	CR-M3SS Standard socket for 3c/o CR-M relay	CR-M3SS	ABB	ABB.1SVR405651R2000
_MP-33R2	1	CR-M230AC3 Pluggable interface relay 3c/o, A1-A2=230VAC, 250V/10A	CR-M230AC3	ABB	ABB.1SVR405612R3000
_MP-33R2	1	CR-M3SS Standard socket for 3c/o CR-M relay	CR-M3SS	ABB	ABB.1SVR405651R2000
_MP-36R1	1	CR-M230AC3 Pluggable interface relay 3c/o, A1-A2=230VAC, 250V/10A	CR-M230AC3	ABB	ABB.1SVR405612R3000
_MP-36R1	1	CR-M3SS Standard socket for 3c/o CR-M relay	CR-M3SS	ABB	ABB.1SVR405651R2000
_MP-36R2	1	CR-M230AC3 Pluggable interface relay 3c/o, A1-A2=230VAC, 250V/10A	CR-M230AC3	ABB	ABB.1SVR405612R3000
_MP-36R2	1	CR-M3SS Standard socket for 3c/o CR-M relay	CR-M3SS	ABB	ABB.1SVR405651R2000
_MP-36R3	1	CR-M230AC3 Pluggable interface relay 3c/o, A1-A2=230VAC, 250V/10A	CR-M230AC3	ABB	ABB.1SVR405612R3000
_MP-36R3	1	CR-M3SS Standard socket for 3c/o CR-M relay	CR-M3SS	ABB	ABB.1SVR405651R2000
_MP-36R4	1	CR-M230AC3 Pluggable interface relay 3c/o, A1-A2=230VAC, 250V/10A	CR-M230AC3	ABB	ABB.1SVR405612R3000
_MP-36R4	1	CR-M3SS Standard socket for 3c/o CR-M relay	CR-M3SS	ABB	ABB.1SVR405651R2000
_MP-37R1	1	CR-M024DC3 Pluggable interface relay 3c/o, A1-A2=24VDC, 250V/10A	CR-M024DC3	ABB	ABB.1SVR405612R1000
_MP-37R1	1	CR-M3SS Standard socket for 3c/o CR-M relay	CR-M3SS	ABB	ABB.1SVR405651R2000
_MP-37R2	1	CR-M024DC3 Pluggable interface relay 3c/o, A1-A2=24VDC, 250V/10A	CR-M024DC3	ABB	ABB.1SVR405612R1000
_MP-37R2	1	CR-M3SS Standard socket for 3c/o CR-M relay	CR-M3SS	ABB	ABB.1SVR405651R2000
_MP-37R3	1	CR-M024DC3 Pluggable interface relay 3c/o, A1-A2=24VDC, 250V/10A	CR-M024DC3	ABB	ABB.1SVR405612R1000
_MP-37R3	1	CR-M3SS Standard socket for 3c/o CR-M relay	CR-M3SS	ABB	ABB.1SVR405651R2000
_MP-37R4	1	CR-M024DC3 Pluggable interface relay 3c/o, A1-A2=24VDC, 250V/10A	CR-M024DC3	ABB	ABB.1SVR405612R1000
_MP-37R4	1	CR-M3SS Standard socket for 3c/o CR-M relay	CR-M3SS	ABB	ABB.1SVR405651R2000
_MP-40R1	1	CR-M230AC3 Pluggable interface relay 3c/o, A1-A2=230VAC, 250V/10A	CR-M230AC3	ABB	ABB.1SVR405612R3000
_MP-40R1	1	CR-M3SS Standard socket for 3c/o CR-M relay	CR-M3SS	ABB	ABB.1SVR405651R2000
_MP-40R2	1	CR-M230AC3 Pluggable interface relay 3c/o, A1-A2=230VAC, 250V/10A	CR-M230AC3	ABB	ABB.1SVR405612R3000
_MP-40R2	1	CR-M3SS Standard socket for 3c/o CR-M relay	CR-M3SS	ABB	ABB.1SVR405651R2000
_MP-50R	1				BRS-H12b.22K0.0013
_MP-53R1	1	CR-M230AC3 Pluggable interface relay 3c/o, A1-A2=230VAC, 250V/10A	CR-M230AC3	ABB	ABB.1SVR405612R3000
_MP-53R1	1	CR-M3SS Standard socket for 3c/o CR-M relay	CR-M3SS	ABB	ABB.1SVR405651R2000
_MP-53R2	1	CR-M230AC3 Pluggable interface relay 3c/o, A1-A2=230VAC, 250V/10A	CR-M230AC3	ABB	ABB.1SVR405612R3000
_MP-53R2	1	CR-M3SS Standard socket for 3c/o CR-M relay	CR-M3SS	ABB	ABB.1SVR405651R2000
_MP-61R1	1	CR-M024DC3 Pluggable interface relay 3c/o, A1-A2=24VDC, 250V/10A	CR-M024DC3	ABB	ABB.1SVR405612R1000
_MP-61R1	1	CR-M3SS Standard socket for 3c/o CR-M relay	CR-M3SS	ABB	ABB.1SVR405651R2000

EDITOR	Simge NALBANTOĞLU
DATE	
CONTROLLER	Barış DEMİR



Part List

= 00SMC00GH00x
+ SMC00
Page / 3
4

Parts list

Part List

Device tag	Quantity	Designation	Type number	Supplier	Part number
_MP-62R1	1	CR-S024VADC1CRS Interface relay cpl. 1c/o, A1-A2=24VAC/DC, Output=6A/250VAC	CR-S024VADC1CRS	ABB	ABB.15VR405541R3110
_MP-62R2	1	CR-S024VADC1CRS Interface relay cpl. 1c/o, A1-A2=24VAC/DC, Output=6A/250VAC	CR-S024VADC1CRS	ABB	ABB.15VR405541R3110
_MP-62R3	1	CR-S024VADC1CRS Interface relay cpl. 1c/o, A1-A2=24VAC/DC, Output=6A/250VAC	CR-S024VADC1CRS	ABB	ABB.15VR405541R3110
_MP-62R4	1	CR-S024VADC1CRS Interface relay cpl. 1c/o, A1-A2=24VAC/DC, Output=6A/250VAC	CR-S024VADC1CRS	ABB	ABB.15VR405541R3110
_MP-62R5	1	CR-S024VADC1CRS Interface relay cpl. 1c/o, A1-A2=24VAC/DC, Output=6A/250VAC	CR-S024VADC1CRS	ABB	ABB.15VR405541R3110
_MP-62R6	1	CR-S024VADC1CRS Interface relay cpl. 1c/o, A1-A2=24VAC/DC, Output=6A/250VAC	CR-S024VADC1CRS	ABB	ABB.15VR405541R3110
_MP-62R7	1	CR-S024VADC1CRS Interface relay cpl. 1c/o, A1-A2=24VAC/DC, Output=6A/250VAC	CR-S024VADC1CRS	ABB	ABB.15VR405541R3110
_MP-62R8	1	CR-S024VADC1CRS Interface relay cpl. 1c/o, A1-A2=24VAC/DC, Output=6A/250VAC	CR-S024VADC1CRS	ABB	ABB.15VR405541R3110
_MP-67R1	1	CR-S024VADC1CRS Interface relay cpl. 1c/o, A1-A2=24VAC/DC, Output=6A/250VAC	CR-S024VADC1CRS	ABB	ABB.15VR405541R3110
_MP-67R2	1	CR-S024VADC1CRS Interface relay cpl. 1c/o, A1-A2=24VAC/DC, Output=6A/250VAC	CR-S024VADC1CRS	ABB	ABB.15VR405541R3110
_MP-67R3	1	CR-S024VADC1CRS Interface relay cpl. 1c/o, A1-A2=24VAC/DC, Output=6A/250VAC	CR-S024VADC1CRS	ABB	ABB.15VR405541R3110
_MP-67R4	1	CR-S024VADC1CRS Interface relay cpl. 1c/o, A1-A2=24VAC/DC, Output=6A/250VAC	CR-S024VADC1CRS	ABB	ABB.15VR405541R3110
_MP-67R5	1	CR-S024VADC1CRS Interface relay cpl. 1c/o, A1-A2=24VAC/DC, Output=6A/250VAC	CR-S024VADC1CRS	ABB	ABB.15VR405541R3110
_MP-67R6	1	CR-S024VADC1CRS Interface relay cpl. 1c/o, A1-A2=24VAC/DC, Output=6A/250VAC	CR-S024VADC1CRS	ABB	ABB.15VR405541R3110
_MP-67R7	1	CR-S024VADC1CRS Interface relay cpl. 1c/o, A1-A2=24VAC/DC, Output=6A/250VAC	CR-S024VADC1CRS	ABB	ABB.15VR405541R3110
_MP-67R8	1	CR-S024VADC1CRS Interface relay cpl. 1c/o, A1-A2=24VAC/DC, Output=6A/250VAC	CR-S024VADC1CRS	ABB	ABB.15VR405541R3110
_MP-68R1	1	CR-S024VADC1CRS Interface relay cpl. 1c/o, A1-A2=24VAC/DC, Output=6A/250VAC	CR-S024VADC1CRS	ABB	ABB.15VR405541R3110
_MP-68R2	1	CR-S024VADC1CRS Interface relay cpl. 1c/o, A1-A2=24VAC/DC, Output=6A/250VAC	CR-S024VADC1CRS	ABB	ABB.15VR405541R3110
_MP-68R3	1	CR-S024VADC1CRS Interface relay cpl. 1c/o, A1-A2=24VAC/DC, Output=6A/250VAC	CR-S024VADC1CRS	ABB	ABB.15VR405541R3110
_MP-68R4	1	CR-S024VADC1CRS Interface relay cpl. 1c/o, A1-A2=24VAC/DC, Output=6A/250VAC	CR-S024VADC1CRS	ABB	ABB.15VR405541R3110
_MP-68R5	1	CR-S024VADC1CRS Interface relay cpl. 1c/o, A1-A2=24VAC/DC, Output=6A/250VAC	CR-S024VADC1CRS	ABB	ABB.15VR405541R3110
_MP-68R6	1	CR-S024VADC1CRS Interface relay cpl. 1c/o, A1-A2=24VAC/DC, Output=6A/250VAC	CR-S024VADC1CRS	ABB	ABB.15VR405541R3110
_MP-68R7	1	CR-S024VADC1CRS Interface relay cpl. 1c/o, A1-A2=24VAC/DC, Output=6A/250VAC	CR-S024VADC1CRS	ABB	ABB.15VR405541R3110
_MP-68R8	1	CR-S024VADC1CRS Interface relay cpl. 1c/o, A1-A2=24VAC/DC, Output=6A/250VAC	CR-S024VADC1CRS	ABB	ABB.15VR405541R3110
_MP-4S1	1	Compact Emergency Stop - Twist release - Mushroom 40mm - Red - Non-illuminated - Black plastic - JNCE4T-10R-01	JNCE4T-10R-01	ABB	ABB.15FA619550R104
_MP-5S1	1	Bimetallik Fan Termostatı	983.011	TEKPAN	983.011
_MP-5S2	1	Door Switch	BS1011	EMAS	EMAS.EMAS BS1011
_MP-5S4	1	16A Sıva Üstü Anahtar	40500105	METE	METE.40500105
_MP-5S5	1	Sıva Üstü Nemliyer Anahtar	40500305	METE	METE.40500305
_MP-16S1	1	Hoisting Limit Switch / 1:100 ratio / 4 Contact	FGR101004	GIOVENZENA	GIOVENZENA.FGR101004
_MP-26S1	1	Hoisting Limit Switch / 1:100 ratio / 4 Contact	FGR101004	GIOVENZENA	GIOVENZENA.FGR101004
_MP-36S1	1	Hoisting Limit Switch / 1:100 ratio / 4 Contact	FGR101004	GIOVENZENA	GIOVENZENA.FGR101004
_MP-37S1	1	Endüktif sensör XS8 40x40x117 - PBT - Sn20 mm - 24..240VAC/DC	XS8C4A1MPG13	SE	SE.XS8C4A1MPG13
_MP-37S2	1	Endüktif sensör XS8 40x40x117 - PBT - Sn20 mm - 24..240VAC/DC	XS8C4A1MPG13	SE	SE.XS8C4A1MPG13
_MP-37S3	1	Endüktif sensör XS8 40x40x117 - PBT - Sn20 mm - 24..240VAC/DC	XS8C4A1MPG13	SE	SE.XS8C4A1MPG13
_MP-37S4	1	Endüktif sensör XS8 40x40x117 - PBT - Sn20 mm - 24..240VAC/DC	XS8C4A1MPG13	SE	SE.XS8C4A1MPG13
_MP-4SR	1	Safety Relay, 3 Safety Contacts, 1 Auxiliary Contact, Dual Channel, 24 V ac/dc	PNOZ X2.8P	PILZ	PILZ.777301
_MP-2T1	1	Transformer 400/230V 1 kVA	Transformer 400/230V 2 kVA	ERA	ERA.GTT-1P2000-P/S
_MP-2T2	1	Transformer 400/230V 1 kVA	Transformer 400/230V 7,5 kVA	ERA	ERA.GTT-1P7500-P/S-KT
_MP-15TRM	1	Thermistor motor protection relay 1n/o, 220-240VAC	CM-MSE	ABB	ABB.15VR550801R9300
_MP-25TRM	1	Thermistor motor protection relay 1n/o, 220-240VAC	CM-MSE	ABB	ABB.15VR550801R9300
_MP-35TRM	1	Thermistor motor protection relay 1n/o, 220-240VAC	CM-MSE	ABB	ABB.15VR550801R9300
_MP-54TRM1	1	Thermistor motor protection relay 1n/o, 220-240VAC	CM-MSE	ABB	ABB.15VR550801R9300
_MP-54TRM2	1	Thermistor motor protection relay 1n/o, 220-240VAC	CM-MSE	ABB	ABB.15VR550801R9300
_MP-3ZS	1				ABB.15VR500100R0000
_MP-5ZS	1				ENTES/OTR-10
SolAcil stop-YürüyüşArka-6S4	1	M Serisi Metal 1li CP200E40 Sarı-Gri Kumanda Kutusu	M1C200E40	ABB	EMAS.M1C200E40
SolAcil stop-YürüyüşÖn-6S2	1	M Serisi Metal 1li CP200E40 Sarı-Gri Kumanda Kutusu	M1C200E40	ABB	EMAS.M1C200E40
SağAcil stop-YürüyüşArka-6S5	1	M Serisi Metal 1li CP200E40 Sarı-Gri Kumanda Kutusu	M1C200E40	ABB	EMAS.M1C200E40
SağAcil stop-YürüyüşÖn-6S3	1	M Serisi Metal 1li CP200E40 Sarı-Gri Kumanda Kutusu	M1C200E40	ABB	EMAS.M1C200E40
OPK Panosu-1F1	1	Miniature Circuit Breaker - S200 - 2P - C - 25 A	S202-C25	ABB	ABB.2CDS252001R0254
OPK Panosu-1F2	1	Miniature Circuit Breaker - S200 - 2P - C - 16 A	S202-C16	ABB	ABB.2CDS252001R0164
OPK Panosu-1F3	1	Miniature Circuit Breaker - S200 - 2P - C - 4 A	S202-C4	ABB	ABB.2CDS252001R0044
OPK Panosu-4F1	1	Miniature Circuit Breaker - S200 - 2P - C - 2A	S202-C2	ABB	ABB.2CDS252001R0024
OPK Panosu-3LC	1				LOADCELL-TRANSMITTER-ESIT-TR-3
OPK Panosu-4LC	1				LOADCELL-TRANSMITTER-ESIT-TR-3

EDITOR	Simge NALBANTOĞLU
DATE	
CONTROLLER	Barış DEMİR



Part List

= 00SMC00GH00x
+ SMC00
Page / 4
5

Parts list

Part List

Device tag	Quantity	Designation	Type number	Supplier	Part number
OPK Panosu-3R1	1	CR-M024DC3 Pluggable interface relay 3c/o, A1-A2=24VDC, 250V/10A	CR-M024DC3	ABB	ABB.1SVR405612R1000
OPK Panosu-3R1	1	CR-M3SS Standard socket for 3c/o CR-M relay	CR-M3SS	ABB	ABB.1SVR405615R2000
OPK Panosu-4R1	1	CR-M024DC3 Pluggable interface relay 3c/o, A1-A2=24VDC, 250V/10A	CR-M024DC3	ABB	ABB.1SVR405612R1000
OPK Panosu-4R1	1	CR-M3SS Standard socket for 3c/o CR-M relay	CR-M3SS	ABB	ABB.1SVR405615R2000
OPK Panosu-2S2	1	Metal Foot Pedal (250VAC 15A) (2 mt. wire)	CNTD CFS-2	SOLMAZSAN	SOLMAZ.CNTD CFS-2
OPK Panosu-2S3	1	Missing Translation	690-Motorlu Siren	MESAN	MESAN.690-Motorlu Siren
OPK Panosu-1X2	2	Fuse modular terminal block	ST 4-HESILED 24 (5X20)	PXC	PXC.3036547
HMI Panosu-1A1	1		CP607	ABB	ABB.1SAP507100R0001
HMI Panosu-2X1	2	Missing Translation	PT 4	PXC	PXC.3211757
Sol Joystick Panosu-6S1	1	Missing Translation	MP1-10Y	ABB	ABB.1SFA611100R1003
Sol Joystick Panosu-6S1	1	Modular holder	MCBH-00	ABB	ABB.1SFA611605R1100
Sol Joystick Panosu-6S1	1	Modular micro switch block	MCBL-10	ABB	ABB.1SFA611612R1010
Sol Joystick Panosu-6S2	1	Missing Translation	MP1-10Y	ABB	ABB.1SFA611100R1003
Sol Joystick Panosu-6S2	1	Modular holder	MCBH-00	ABB	ABB.1SFA611605R1100
Sol Joystick Panosu-6S2	1	Modular micro switch block	MCBL-10	ABB	ABB.1SFA611612R1010
Sol Joystick Panosu-6S3	1	Missing Translation	M3SS1-10B	ABB	ABB.1SFA611210R1006
Sol Joystick Panosu-6S3	1	Modular holder	MCBH-00	ABB	ABB.1SFA611605R1100
Sol Joystick Panosu-6S3	1	Modular micro switch block	MCBL-01	ABB	ABB.1SFA611612R1001
Sağ Joystick Panosu-8F1	1	Miniature Circuit Breaker - S200 - 2P - C - 2A	S202-C2	ABB	ABB.2CDS252001R0024
Sağ Joystick Panosu-8F2	1	Miniature Circuit Breaker - S200 - 2P - C - 2A	S202-C2	ABB	ABB.2CDS252001R0024
Sağ Joystick Panosu-8GK	1	Book type power supply, Pro, 30 W, 12 VDC, 2.5A, DIN rail mounting	S8VK-G03012	OMR	OMR.S8VK-G03012
Sağ Joystick Panosu-8S2	1	Missing Translation	MP1-11L	ABB	ABB.1SFA611100R1104
Sağ Joystick Panosu-8S2	1	Modular holder	MCBH-00	ABB	ABB.1SFA611605R1100
Sağ Joystick Panosu-8S2	1	Modular micro switch block	MCBL-10	ABB	ABB.1SFA611612R1010
Sağ Joystick Panosu-8S2	1	Missing Translation	MLBL-01L	ABB	ABB.1SFA611621R1014
Sağ Joystick Panosu-8S3	1	Compact Pushbutton - Momentary - Flush - Red - Illuminated - Black plastic - 1NC	CP1-11R-01	ABB	ABB.1SFA619100R1141
Sağ Joystick Panosu-8S4	1	Compact Pushbutton - Momentary - Flush - Green - Illuminated - Black plastic - 1NO	CP1-11G-10	ABB	ABB.1SFA619100R1112
Sağ Joystick Panosu-8S5	1	Modular holder	MCBH-00	ABB	ABB.1SFA611605R1100
Sağ Joystick Panosu-8S5	1	Modular micro switch block	MCBL-10	ABB	ABB.1SFA611612R1010
Sağ Joystick Panosu-8S5	1				ABB.1SFA611100R1004
Sağ Joystick Panosu-8X2	2	Missing Translation	PT 4	PXC	PXC.3211757
Köprü Yürütme-61A	1				1SAP220500R0001
Köprü Yürütme-65A1	1				1SAP231900R0000
Köprü Yürütme-73A1	1				1SAP250100R0001
Köprü Yürütme-1F1	1	Miniature Circuit Breaker - S200 - 1P - C - 2 A	S 201-C2	ABB	ABB.2CDS251001R0024
Köprü Yürütme-1F2	1	Miniature Circuit Breaker - S200 - 1P - C - 2 A	S 201-C2	ABB	ABB.2CDS251001R0024
Köprü Yürütme-1F3	1	Miniature Circuit Breaker - S200 - 1P - C - 2 A	S 201-C2	ABB	ABB.2CDS251001R0024
Köprü Yürütme-1F4	1	Miniature Circuit Breaker - S200 - 2P - C - 10 A	S202-C10	ABB	ABB.2CDS252001R0104
Köprü Yürütme-1F5	1	Miniature Circuit Breaker - S200 - 2P - C - 2A	S202-C2	ABB	ABB.2CDS252001R0024
Köprü Yürütme-1F6	1	Miniature Circuit Breaker - S200 - 2P - C - 2A	S202-C2	ABB	ABB.2CDS252001R0024
Köprü Yürütme-2F1	1	Miniature Circuit Breaker - S200 - 2P - C - 2A	S202-C2	ABB	ABB.2CDS252001R0024
Köprü Yürütme-2F2	1	Miniature Circuit Breaker - S200 - 2P - C - 6 A	S202-C6	ABB	ABB.2CDS252001R0064
Köprü Yürütme-3F1	1	Miniature Circuit Breaker - S200 - 1P - C - 2 A	S 201-C2	ABB	ABB.2CDS251001R0024
Köprü Yürütme-3F2	1	Miniature Circuit Breaker - S200 - 1P - C - 2 A	S 201-C2	ABB	ABB.2CDS251001R0024
Köprü Yürütme-3F3	1	Miniature Circuit Breaker - S200 - 1P - C - 2 A	S 201-C2	ABB	ABB.2CDS251001R0024
Köprü Yürütme-5F1	1	Miniature Circuit Breaker - S200 - 2P - C - 4 A	S202-C4	ABB	ABB.2CDS252001R0044
Köprü Yürütme-7F	1	Bıçaklı Sigorta Taşyıcıları, 3 kutuplu	XLP 000-6CC	ABB	1SEP201428R0002
Köprü Yürütme-7F	3				C320047
Köprü Yürütme-40F	1				1SEP101890R0002
Köprü Yürütme-40F	3				X320065
Köprü Yürütme-41F	1				1SEP101890R0002
Köprü Yürütme-41F	3				X320065
Köprü Yürütme-49F1	1	Miniature Circuit Breaker - S200 - 3P - C - 6 A	S203-C6	ABB	ABB.2CDS253001R0064
Köprü Yürütme-7FC	1				ABB.ACS880-01-017A-3
Köprü Yürütme-40FC	1				ABB.ACS880-01-072A-3+D150
Köprü Yürütme-41FC	1				ABB.ACS880-01-072A-3+D150

Parts list

Part List

Device tag	Quantity	Designation	Type number	Supplier	Part number
Köprü Yürütme-1GK	1	Power supply 120W, in: 1 phase 100-240VAC/90-350VDC, out: 24VDC/5A	S8VKC12024	OMR	OMR.S8VK-C12024
Köprü Yürütme-1H1	1	Compact Pilot Light Red LED 230V AC	CL2-523R	ABB	ABB.1SFA619403R5231
Köprü Yürütme-1H2	1	Compact Pilot Light Red LED 230V AC	CL2-523R	ABB	ABB.1SFA619403R5231
Köprü Yürütme-1H3	1	Compact Pilot Light Red LED 230V AC	CL2-523R	ABB	ABB.1SFA619403R5231
Köprü Yürütme-3H1	1	Missing Translation	AN10.00430	ACK	ACK.AN10.00430
Köprü Yürütme-4H1	1	Missing Translation	IL-XHD-22BK	ILX	ILX.IL-XHD-22BK
Köprü Yürütme-4H2	1	Missing Translation	IL-XHD-22BK	ILX	ILX.IL-XHD-22BK
Köprü Yürütme-5H1	1	Missing Translation	NGR NPS1 32100	NITRA	NITRA.NGR NPS1 32100
Köprü Yürütme-5H2	1	Missing Translation	NGR NPS1 32100	NITRA	NITRA.NGR NPS1 32100
Köprü Yürütme-5H3	1	Missing Translation	NGR NPS1 32100	NITRA	NITRA.NGR NPS1 32100
Köprü Yürütme-5H4	1	Missing Translation	NGR NPS1 32100	NITRA	NITRA.NGR NPS1 32100
Köprü Yürütme-5H5	1	Missing Translation	NGR NPS1 32100	NITRA	NITRA.NGR NPS1 32100
Köprü Yürütme-1KM1	1	AF140-30-11 Contactor	AF140-30-11	ABB	ABB.1SFL447001R1311
Köprü Yürütme-9KM1	1	AF09-30-10 100-250V50/60HZ-DC Contactor	AF09-30-10	ABB	ABB.1SBL137001R1310
Köprü Yürütme-10KM1	1	AF09-30-10 100-250V50/60HZ-DC Contactor	AF09-30-10	ABB	ABB.1SBL137001R1310
Köprü Yürütme-44KM1	1	AF09-30-10 100-250V50/60HZ-DC Contactor	AF09-30-10	ABB	ABB.1SBL137001R1310
Köprü Yürütme-44KM1	3	CA4-10 Auxiliary Contact Block	CA4-10	ABB	ABB.1SBN010110R1010
Köprü Yürütme-45KM1	1	AF09-30-10 100-250V50/60HZ-DC Contactor	AF09-30-10	ABB	ABB.1SBL137001R1310
Köprü Yürütme-45KM1	3	CA4-10 Auxiliary Contact Block	CA4-10	ABB	ABB.1SBN010110R1010
Köprü Yürütme-49KM1	1	AF09-30-10 100-250V50/60HZ-DC Contactor	AF09-30-10	ABB	ABB.1SBL137001R1310
Köprü Yürütme-3M1	1	45 W 160m3/saat EBM Papst Fanlı Filtre (250 x 250)	983.141	TEKPAN	TEK.983.141
Köprü Yürütme-3PRZ	1	M1175 Socket outlet	M1175	ABB	ABB.2CSM210000R0721
Köprü Yürütme-Q02	1				ABB.1SDA066728R1
Köprü Yürütme-8Q1	1	Manual Motor Starter	MS116-1	ABB	ABB.1SAM250000R1005
Köprü Yürütme-8Q1	1	Manuel Motor Starter Auxiliary Contact	HKF1-11	ABB	ABB.1SAM201901R1001
Köprü Yürütme-10Q1	1	Manual Motor Starter	MS116-2,5	ABB	ABB.1SAM250000R1007
Köprü Yürütme-10Q1	1	Manuel Motor Starter Auxiliary Contact	HKF1-11	ABB	ABB.1SAM201901R1001
Köprü Yürütme-40Q1	1	Manual Motor Starter	MS116-16	ABB	ABB.1SAM250000R1011
Köprü Yürütme-40Q1	1	Manuel Motor Starter Auxiliary Contact	HKF1-11	ABB	ABB.1SAM201901R1001
Köprü Yürütme-40Q2	1	Manual Motor Starter	MS116-16	ABB	ABB.1SAM250000R1011
Köprü Yürütme-40Q2	1	Manuel Motor Starter Auxiliary Contact	HKF1-11	ABB	ABB.1SAM201901R1001
Köprü Yürütme-40Q3	1	Manual Motor Starter	MS116-16	ABB	ABB.1SAM250000R1011
Köprü Yürütme-40Q3	1	Manuel Motor Starter Auxiliary Contact	HKF1-11	ABB	ABB.1SAM201901R1001
Köprü Yürütme-40Q4	1	Manual Motor Starter	MS116-16	ABB	ABB.1SAM250000R1011
Köprü Yürütme-40Q4	1	Manuel Motor Starter Auxiliary Contact	HKF1-11	ABB	ABB.1SAM201901R1001
Köprü Yürütme-41Q1	1	Manual Motor Starter	MS116-16	ABB	ABB.1SAM250000R1011
Köprü Yürütme-41Q1	1	Manuel Motor Starter Auxiliary Contact	HKF1-11	ABB	ABB.1SAM201901R1001
Köprü Yürütme-41Q2	1	Manual Motor Starter	MS116-16	ABB	ABB.1SAM250000R1011
Köprü Yürütme-41Q2	1	Manuel Motor Starter Auxiliary Contact	HKF1-11	ABB	ABB.1SAM201901R1001
Köprü Yürütme-41Q3	1	Manual Motor Starter	MS116-16	ABB	ABB.1SAM250000R1011
Köprü Yürütme-41Q3	1	Manuel Motor Starter Auxiliary Contact	HKF1-11	ABB	ABB.1SAM201901R1001
Köprü Yürütme-41Q4	1	Manual Motor Starter	MS116-16	ABB	ABB.1SAM250000R1011
Köprü Yürütme-41Q4	1	Manuel Motor Starter Auxiliary Contact	HKF1-11	ABB	ABB.1SAM201901R1001
Köprü Yürütme-42Q1	1	Manual Motor Starter	MS116-4	ABB	ABB.1SAM250000R1008
Köprü Yürütme-42Q1	1	Manuel Motor Starter Auxiliary Contact	HKF1-11	ABB	ABB.1SAM201901R1001
Köprü Yürütme-42Q2	1	Manual Motor Starter	MS116-1	ABB	ABB.1SAM250000R1005
Köprü Yürütme-42Q2	1	Manuel Motor Starter Auxiliary Contact	HKF1-11	ABB	ABB.1SAM201901R1001
Köprü Yürütme-42Q3	1	Manual Motor Starter	MS116-1	ABB	ABB.1SAM250000R1005
Köprü Yürütme-42Q3	1	Manuel Motor Starter Auxiliary Contact	HKF1-11	ABB	ABB.1SAM201901R1001
Köprü Yürütme-42Q4	1	Manual Motor Starter	MS116-1	ABB	ABB.1SAM250000R1005
Köprü Yürütme-42Q4	1	Manuel Motor Starter Auxiliary Contact	HKF1-11	ABB	ABB.1SAM201901R1001
Köprü Yürütme-42Q5	1	Manual Motor Starter	MS116-1	ABB	ABB.1SAM250000R1005
Köprü Yürütme-42Q5	1	Manuel Motor Starter Auxiliary Contact	HKF1-11	ABB	ABB.1SAM201901R1001
Köprü Yürütme-43Q1	1	Manual Motor Starter	MS116-4	ABB	ABB.1SAM250000R1008
Köprü Yürütme-43Q1	1	Manuel Motor Starter Auxiliary Contact	HKF1-11	ABB	ABB.1SAM201901R1001
Köprü Yürütme-43Q2	1	Manual Motor Starter	MS116-1	ABB	ABB.1SAM250000R1005

EDITOR	Simge NALBANTOĞLU
DATE	
CONTROLLER	Barış DEMİR



Part List

= 00SMC00GH00x
+ SMC00
Page / 6
7

Parts list

Part List

Device tag	Quantity	Designation	Type number	Supplier	Part number
Köprü Yürütme-43Q2	1	Manuel Motor Starter Auxiliary Contact	HKF1-11	ABB	ABB.1SAM201901R1001
Köprü Yürütme-43Q3	1	Manual Motor Starter	MS116-1	ABB	ABB.1SAM250000R1005
Köprü Yürütme-43Q3	1	Manuel Motor Starter Auxiliary Contact	HKF1-11	ABB	ABB.1SAM201901R1001
Köprü Yürütme-43Q4	1	Manual Motor Starter	MS116-1	ABB	ABB.1SAM250000R1005
Köprü Yürütme-43Q4	1	Manuel Motor Starter Auxiliary Contact	HKF1-11	ABB	ABB.1SAM201901R1001
Köprü Yürütme-43Q5	1	Manual Motor Starter	MS116-1	ABB	ABB.1SAM250000R1005
Köprü Yürütme-43Q5	1	Manuel Motor Starter Auxiliary Contact	HKF1-11	ABB	ABB.1SAM201901R1001
Köprü Yürütme-49Q1	1	Manual Motor Starter	MS116-1.6	ABB	ABB.1SAM250000R1006
Köprü Yürütme-49Q1	1	Manuel Motor Starter Auxiliary Contact	HKF1-11	ABB	ABB.1SAM201901R1001
Köprü Yürütme-49Q2	1	Manual Motor Starter	MS116-1.6	ABB	ABB.1SAM250000R1006
Köprü Yürütme-49Q2	1	Manuel Motor Starter Auxiliary Contact	HKF1-11	ABB	ABB.1SAM201901R1001
Köprü Yürütme-5R1	1	E290-16-10/230 Electromechanical latching relay	E290-16-10/230	ABB	ABB.2TAZ312000R2011
Köprü Yürütme-7R	1				BRS-H04a.04K0.0044
Köprü Yürütme-9R1	1	CR-M230AC3 Pluggable interface relay 3c/o, A1-A2=230VAC, 250V/10A	CR-M230AC3	ABB	ABB.1SVR405612R3000
Köprü Yürütme-9R1	1	CR-M3SS Standard socket for 3c/o CR-M relay	CR-M3SS	ABB	ABB.1SVR405651R2000
Köprü Yürütme-40R	1				BRS-H12b.22K0.0013
Köprü Yürütme-41R	1				BRS-H12b.22K0.0013
Köprü Yürütme-44R1	1	CR-M024DC3 Pluggable interface relay 3c/o, A1-A2=24VDC, 250V/10A	CR-M024DC3	ABB	ABB.1SVR405612R1000
Köprü Yürütme-44R1	1	CR-M3SS Standard socket for 3c/o CR-M relay	CR-M3SS	ABB	ABB.1SVR405651R2000
Köprü Yürütme-44R2	1	CR-M024DC3 Pluggable interface relay 3c/o, A1-A2=24VDC, 250V/10A	CR-M024DC3	ABB	ABB.1SVR405612R1000
Köprü Yürütme-44R2	1	CR-M3SS Standard socket for 3c/o CR-M relay	CR-M3SS	ABB	ABB.1SVR405651R2000
Köprü Yürütme-46R1	1	CR-M230AC3 Pluggable interface relay 3c/o, A1-A2=230VAC, 250V/10A	CR-M230AC3	ABB	ABB.1SVR405612R3000
Köprü Yürütme-46R1	1	CR-M3SS Standard socket for 3c/o CR-M relay	CR-M3SS	ABB	ABB.1SVR405651R2000
Köprü Yürütme-46R2	1	CR-M230AC3 Pluggable interface relay 3c/o, A1-A2=230VAC, 250V/10A	CR-M230AC3	ABB	ABB.1SVR405612R3000
Köprü Yürütme-46R2	1	CR-M3SS Standard socket for 3c/o CR-M relay	CR-M3SS	ABB	ABB.1SVR405651R2000
Köprü Yürütme-46R3	1	CR-M230AC3 Pluggable interface relay 3c/o, A1-A2=230VAC, 250V/10A	CR-M230AC3	ABB	ABB.1SVR405612R3000
Köprü Yürütme-46R3	1	CR-M3SS Standard socket for 3c/o CR-M relay	CR-M3SS	ABB	ABB.1SVR405651R2000
Köprü Yürütme-46R4	1	CR-M230AC3 Pluggable interface relay 3c/o, A1-A2=230VAC, 250V/10A	CR-M230AC3	ABB	ABB.1SVR405612R3000
Köprü Yürütme-46R4	1	CR-M3SS Standard socket for 3c/o CR-M relay	CR-M3SS	ABB	ABB.1SVR405651R2000
Köprü Yürütme-46R5	1	CR-M024DC3 Pluggable interface relay 3c/o, A1-A2=24VDC, 250V/10A	CR-M024DC3	ABB	ABB.1SVR405612R1000
Köprü Yürütme-46R5	1	CR-M3SS Standard socket for 3c/o CR-M relay	CR-M3SS	ABB	ABB.1SVR405651R2000
Köprü Yürütme-46R6	1	CR-M024DC3 Pluggable interface relay 3c/o, A1-A2=24VDC, 250V/10A	CR-M024DC3	ABB	ABB.1SVR405612R1000
Köprü Yürütme-46R6	1	CR-M3SS Standard socket for 3c/o CR-M relay	CR-M3SS	ABB	ABB.1SVR405651R2000
Köprü Yürütme-46R7	1	CR-M024DC3 Pluggable interface relay 3c/o, A1-A2=24VDC, 250V/10A	CR-M024DC3	ABB	ABB.1SVR405612R1000
Köprü Yürütme-46R7	1	CR-M3SS Standard socket for 3c/o CR-M relay	CR-M3SS	ABB	ABB.1SVR405651R2000
Köprü Yürütme-46R8	1	CR-M024DC3 Pluggable interface relay 3c/o, A1-A2=24VDC, 250V/10A	CR-M024DC3	ABB	ABB.1SVR405612R1000
Köprü Yürütme-46R8	1	CR-M3SS Standard socket for 3c/o CR-M relay	CR-M3SS	ABB	ABB.1SVR405651R2000
Köprü Yürütme-47R1	1	CR-M230AC3 Pluggable interface relay 3c/o, A1-A2=230VAC, 250V/10A	CR-M230AC3	ABB	ABB.1SVR405612R3000
Köprü Yürütme-47R1	1	CR-M3SS Standard socket for 3c/o CR-M relay	CR-M3SS	ABB	ABB.1SVR405651R2000
Köprü Yürütme-47R2	1	CR-M230AC3 Pluggable interface relay 3c/o, A1-A2=230VAC, 250V/10A	CR-M230AC3	ABB	ABB.1SVR405612R3000
Köprü Yürütme-47R2	1	CR-M3SS Standard socket for 3c/o CR-M relay	CR-M3SS	ABB	ABB.1SVR405651R2000
Köprü Yürütme-47R3	1	CR-M024DC3 Pluggable interface relay 3c/o, A1-A2=24VDC, 250V/10A	CR-M024DC3	ABB	ABB.1SVR405612R1000
Köprü Yürütme-47R3	1	CR-M3SS Standard socket for 3c/o CR-M relay	CR-M3SS	ABB	ABB.1SVR405651R2000
Köprü Yürütme-47R4	1	CR-M024DC3 Pluggable interface relay 3c/o, A1-A2=24VDC, 250V/10A	CR-M024DC3	ABB	ABB.1SVR405612R1000
Köprü Yürütme-47R4	1	CR-M3SS Standard socket for 3c/o CR-M relay	CR-M3SS	ABB	ABB.1SVR405651R2000
Köprü Yürütme-48R1	1	CR-M230AC3 Pluggable interface relay 3c/o, A1-A2=230VAC, 250V/10A	CR-M230AC3	ABB	ABB.1SVR405612R3000
Köprü Yürütme-48R1	1	CR-M3SS Standard socket for 3c/o CR-M relay	CR-M3SS	ABB	ABB.1SVR405651R2000
Köprü Yürütme-48R2	1	CR-M230AC3 Pluggable interface relay 3c/o, A1-A2=230VAC, 250V/10A	CR-M230AC3	ABB	ABB.1SVR405612R3000
Köprü Yürütme-48R2	1	CR-M3SS Standard socket for 3c/o CR-M relay	CR-M3SS	ABB	ABB.1SVR405651R2000
Köprü Yürütme-48R3	1	CR-M230AC3 Pluggable interface relay 3c/o, A1-A2=230VAC, 250V/10A	CR-M230AC3	ABB	ABB.1SVR405612R3000
Köprü Yürütme-48R3	1	CR-M3SS Standard socket for 3c/o CR-M relay	CR-M3SS	ABB	ABB.1SVR405651R2000
Köprü Yürütme-48R4	1	CR-M230AC3 Pluggable interface relay 3c/o, A1-A2=230VAC, 250V/10A	CR-M230AC3	ABB	ABB.1SVR405612R3000
Köprü Yürütme-48R4	1	CR-M3SS Standard socket for 3c/o CR-M relay	CR-M3SS	ABB	ABB.1SVR405651R2000
Köprü Yürütme-48R5	1	CR-M230AC3 Pluggable interface relay 3c/o, A1-A2=230VAC, 250V/10A	CR-M230AC3	ABB	ABB.1SVR405612R3000
Köprü Yürütme-48R5	1	CR-M3SS Standard socket for 3c/o CR-M relay	CR-M3SS	ABB	ABB.1SVR405651R2000
Köprü Yürütme-50R1	1	CR-M024DC3 Pluggable interface relay 3c/o, A1-A2=24VDC, 250V/10A	CR-M024DC3	ABB	ABB.1SVR405612R1000

EDITOR	Simge NALBANTOĞLU
DATE	
CONTROLLER	Barış DEMİR



Part List

= 00SMC00GH00x
+ SMC00
Page / 7
8

Cable name +SMC00-2W4			Cable type H05VV-F					
Function text MP>Saha Trafosu 380VAC Giriş			No. of conductors 3			Cross-section 2,5		Voltage Level
Function text	Page / column	Target designation from	Connection point	Conductor	Target designation to	Connection point	Page / column	Function text
YAĞLAMA POMPASI PESLEME	00SMC_MP/2.7	+SMC00_MP-2X1	1	BN	+SMC00_MP-2T2	U1	00SMC_MP/2.7	7,5kVA Yardımcı Besleme Trafosu
YAĞLAMA POMPASI PESLEME	00SMC_MP/2.7	+SMC00_MP-2X1	2	BU	+SMC00_MP-2T2	V1	00SMC_MP/2.7	7,5kVA Yardımcı Besleme Trafosu
	00SMC_MP/2.8	+		GNYE	+SMC00_MP-2T2	PE	00SMC_MP/2.7	7,5kVA Yardımcı Besleme Trafosu
Cable name +SMC00-2W5			Cable type H05VV-F					
Function text MP>Saha Trafosu 230VAC Çıkış			No. of conductors 3			Cross-section 2,5		Voltage Level
Function text	Page / column	Target designation from	Connection point	Conductor	Target designation to	Connection point	Page / column	Function text
YAĞLAMA POMPASI PESLEME	00SMC_MP/2.7	+SMC00_MP-2X1	3	BN	+SMC00_MP-2T2	U2	00SMC_MP/2.7	7,5kVA Yardımcı Besleme Trafosu
YAĞLAMA POMPASI PESLEME	00SMC_MP/2.7	+SMC00_MP-2X1	4	BU	+SMC00_MP-2T2	V2	00SMC_MP/2.7	7,5kVA Yardımcı Besleme Trafosu
Cable name +SMC00-3W1			Cable type H05VV-F					
Function text MP>Projektör Aydınlatma 1			No. of conductors 3			Cross-section 1,5		Voltage Level
Function text	Page / column	Target designation from	Connection point	Conductor	Target designation to	Connection point	Page / column	Function text
	00SMC_MP/3.1	+SMC00_MP-3X1	1	BN	+SMC00_-3H1	L	00SMC_MP/3.1	
	00SMC_MP/3.1	+SMC00_MP-3X1	2	BU	+SMC00_-3H1	N	00SMC_MP/3.1	
	00SMC_MP/3.1	+	PE	GNYE	+SMC00_-3H1	PE	00SMC_MP/3.1	
Cable name +SMC00-3W2			Cable type H05VV-F					
Function text MP>Projektör Aydınlatma 2			No. of conductors 3			Cross-section 1,5		Voltage Level
Function text	Page / column	Target designation from	Connection point	Conductor	Target designation to	Connection point	Page / column	Function text
	00SMC_MP/3.2	+SMC00_MP-3X1	3	BN	+SMC00_-3H2	L	00SMC_MP/3.2	
	00SMC_MP/3.2	+SMC00_MP-3X1	4	BU	+SMC00_-3H2	N	00SMC_MP/3.2	
	00SMC_MP/3.2	+	PE	GNYE	+SMC00_-3H2	PE	00SMC_MP/3.2	
Cable name +SMC00-3W3			Cable type H05VV-F					
Function text MP>Projektör Aydınlatma 3			No. of conductors 3			Cross-section 1,5		Voltage Level
Function text	Page / column	Target designation from	Connection point	Conductor	Target designation to	Connection point	Page / column	Function text
	00SMC_MP/3.3	+SMC00_MP-3X1	5	BN	+SMC00_-3H3	L	00SMC_MP/3.3	
	00SMC_MP/3.4	+SMC00_MP-3X1	6	BU	+SMC00_-3H3	N	00SMC_MP/3.3	

Cable name +SMC00-3W3			Cable type H05VV-F						
Function text MP>Projektör Aydınlatma 3			No. of conductors 3			Cross-section 1,5		Voltage Level	
Function text	Page / column	Target designation from	Connection point	Conductor	Target designation to	Connection point	Page / column	Function text	
	00SMC_MP/3.4	+	PE	GNYE	+SMC00 -3H3	PE	00SMC_MP/3.3		
Cable name +SMC00-3W4			Cable type H05VV-F						
Function text MP>Projektör Aydınlatma 4			No. of conductors 3			Cross-section 1,5		Voltage Level	
Function text	Page / column	Target designation from	Connection point	Conductor	Target designation to	Connection point	Page / column	Function text	
	00SMC_MP/3.5	+SMC00_MP-3X1	7	BN	+SMC00 -3H4	L	00SMC_MP/3.5		
	00SMC_MP/3.5	+SMC00_MP-3X1	8	BU	+SMC00 -3H4	N	00SMC_MP/3.5		
	00SMC_MP/3.5	+	PE	GNYE	+SMC00 -3H4	PE	00SMC_MP/3.5		
Cable name +SMC00-3W5			Cable type H05VV-F						
Function text MP>Projektör Aydınlatma 5			No. of conductors 3			Cross-section 1,5		Voltage Level	
Function text	Page / column	Target designation from	Connection point	Conductor	Target designation to	Connection point	Page / column	Function text	
	00SMC_MP/3.6	+	9	BN	+SMC00 -3H5	L	00SMC_MP/3.6		
	00SMC_MP/3.6	+	10	BU	+SMC00 -3H5	N	00SMC_MP/3.6		
	00SMC_MP/3.6	+	PE	GNYE	+SMC00 -3H5	PE	00SMC_MP/3.6		
Cable name +SMC00-3W6			Cable type H05VV-F						
Function text MP>Projektör Aydınlatma 6			No. of conductors 3			Cross-section 1,5		Voltage Level	
Function text	Page / column	Target designation from	Connection point	Conductor	Target designation to	Connection point	Page / column	Function text	
	00SMC_MP/3.7	+	11	BN	+SMC00 -3H6	L	00SMC_MP/3.7		
	00SMC_MP/3.8	+	12	BU	+SMC00 -3H6	N	00SMC_MP/3.7		
	00SMC_MP/3.8	+	PE	GNYE	+SMC00 -3H6	PE	00SMC_MP/3.7		
Cable name +SMC00-3W8			Cable type LIYCY						
Function text Loadpin Kablosu			No. of conductors 8			Cross-section 0,75		Voltage Level	
Function text	Page / column	Target designation from	Connection point	Conductor	Target designation to	Connection point	Page / column	Function text	
	00SMC OPK Panosu/3.2	+	E+	1	+SMC00 OPK Panosu-3X3	1	00SMC OPK Panosu/3.2		
	00SMC OPK Panosu/3.3	+	E-	2	+SMC00 OPK Panosu-3X3	2	00SMC OPK Panosu/3.3		
	00SMC OPK Panosu/3.3	+	S+	3	+SMC00 OPK Panosu-3X3	3	00SMC OPK Panosu/3.3		

Cable name +SMC00-3W8			Cable type LIYCY						
Function text Loadpin Kablosu			No. of conductors 8			Cross-section 0,75		Voltage Level	
Function text	Page / column	Target designation from	Connection point	Conductor	Target designation to	Connection point	Page / column	Function text	
	00SMC OPK Panosu/3.3	+	S-	4	+SMC00 OPK Panosu-3X3	4	00SMC OPK Panosu/3.3		
	00SMC OPK Panosu/3.4	+SMC00 OPK Panosu-3LC	PE	5	+SMC00 OPK Panosu-3X3	5	00SMC OPK Panosu/3.4		
Cable name +SMC00-4W6			Cable type LIYCY						
Function text Loadpin Kablosu			No. of conductors 8			Cross-section 0,75		Voltage Level	
Function text	Page / column	Target designation from	Connection point	Conductor	Target designation to	Connection point	Page / column	Function text	
	00SMC OPK Panosu/4.3	+	E+	1	+SMC00 OPK Panosu-4X2	1	00SMC OPK Panosu/4.3		
	00SMC OPK Panosu/4.3	+	E-	2	+SMC00 OPK Panosu-4X2	2	00SMC OPK Panosu/4.3		
	00SMC OPK Panosu/4.4	+	S+	3	+SMC00 OPK Panosu-4X2	3	00SMC OPK Panosu/4.4		
	00SMC OPK Panosu/4.4	+	S-	4	+SMC00 OPK Panosu-4X2	4	00SMC OPK Panosu/4.4		
	00SMC OPK Panosu/4.4	+SMC00 OPK Panosu-4LC	PE	5	+SMC00 OPK Panosu-4X2	5	00SMC OPK Panosu/4.4		
Cable name +SMC00-5W1			Cable type H05VV-F						
Function text MP>Pano Odası Priz			No. of conductors 3			Cross-section 2,5		Voltage Level	
Function text	Page / column	Target designation from	Connection point	Conductor	Target designation to	Connection point	Page / column	Function text	
	00SMC Sol Joystik Panosu/5.9	+SMC00 Sol Joystik Panosu-5X1	14	1	+SMC00 Sağ Joystik Panosu-5X2	7	00SMC Sağ Joystik Panosu/7.8		
	00SMC Sol Joystik Panosu/5.9	+SMC00 Sol Joystik Panosu-5X1	13	2	+SMC00 Sağ Joystik Panosu-5X2	8	00SMC Sağ Joystik Panosu/7.8		
	00SMC Sol Joystik Panosu/5.9	+SMC00 Sol Joystik Panosu-5X1	16	3	+SMC00 Sağ Joystik Panosu-5X2	9	00SMC Sağ Joystik Panosu/7.9		
	00SMC Sol Joystik Panosu/5.9	+SMC00 Sol Joystik Panosu-5X1	15	4	+SMC00 Sağ Joystik Panosu-5X2	10	00SMC Sağ Joystik Panosu/7.9		
	00SMC _MP/5.2	+SMC00 _MP-5X1	1	BK	+SMC00 _MP-5PRZ2	L	00SMC _MP/5.2		
	00SMC _MP/5.2	+SMC00 _MP-5X1	2	BN	+SMC00 _MP-5PRZ2	N	00SMC _MP/5.2		
	00SMC _MP/5.2	+	PE		+SMC00 _MP-5PRZ2	PE	00SMC _MP/5.2		
Cable name +SMC00-5W2			Cable type H05VV-F						
Function text MP>Makina Dairesi Aydınlatma Anahtarı			No. of conductors 3			Cross-section 1,5		Voltage Level	
Function text	Page / column	Target designation from	Connection point	Conductor	Target designation to	Connection point	Page / column	Function text	
	00SMC _MP/5.4	+SMC00 _MP-5X1	3	BK	+SMC00 _MP-5S4	13	00SMC _MP/5.4		
	00SMC _MP/5.5	+SMC00 _MP-5X1	4	BN	+SMC00 _MP-5S4	14	00SMC _MP/5.4		

Cable name +SMC00-5W3			Cable type H05VV-F					
Function text MP>Makina Dairesi Aydınlatma 1			No. of conductors 3			Cross-section 1,5		Voltage Level
Function text	Page / column	Target designation from	Connection point	Conductor	Target designation to	Connection point	Page / column	Function text
	00SMC_MP/5.4	+SMC00_MP-5X1	5	BK	+SMC00_MP-5H2		00SMC_MP/5.4	2X18W Pelsan
	00SMC_MP/5.4	+SMC00_MP-5X1	6	BN	+SMC00_MP-5H2		00SMC_MP/5.4	2X18W Pelsan
Cable name +SMC00-5W4			Cable type H05VV-F					
Function text MP>Makina Dairesi Aydınlatma 2			No. of conductors 3			Cross-section 1,5		Voltage Level
Function text	Page / column	Target designation from	Connection point	Conductor	Target designation to	Connection point	Page / column	Function text
	00SMC_MP/5.5	+SMC00_MP-5X1	7	BK	+SMC00_MP-5H3		00SMC_MP/5.5	2X18W Pelsan
	00SMC_MP/5.5	+SMC00_MP-5X1	8	BN	+SMC00_MP-5H3		00SMC_MP/5.5	2X18W Pelsan
Cable name +SMC00-5W5			Cable type H05VV-F					
Function text MP>Slipring Aydınlatma			No. of conductors 3			Cross-section 1,5		Voltage Level
Function text	Page / column	Target designation from	Connection point	Conductor	Target designation to	Connection point	Page / column	Function text
	00SMC_MP/5.6	+SMC00_MP-5X1	9	BK	+SMC00_MP-5H4		00SMC_MP/5.6	2X18W Pelsan
	00SMC_MP/5.6	+SMC00_MP-5X1	10	BN	+SMC00_MP-5H4		00SMC_MP/5.6	2X18W Pelsan
Cable name +SMC00-5W6			Cable type H05VV-F					
Function text MP>Slipring Aydınlatma			No. of conductors 3			Cross-section 1,5		Voltage Level
Function text	Page / column	Target designation from	Connection point	Conductor	Target designation to	Connection point	Page / column	Function text
	00SMC_MP/5.7	+SMC00_MP-5X1	11	BK	+SMC00_MP-5H5	x1	00SMC_MP/5.7	
	00SMC_MP/5.7	+SMC00_MP-5X1	12	BN	+SMC00_MP-5H5	x2	00SMC_MP/5.7	

Cable name +SMC00-6W1			Cable type H05VV-F					
Function text MP>Pano Odası Soğutma Fanı 1			No. of conductors 4			Cross-section 1,5		Voltage Level
Function text	Page / column	Target designation from	Connection point	Conductor	Target designation to	Connection point	Page / column	Function text
	00SMC_MP/6.2	+SMC00_MP-7X1	1	BK	+SMC00_MP-6M1	U1	00SMC_MP/6.2	Soğutma Fanı1
	00SMC_MP/6.2	+SMC00_MP-7X1	2	BN	+SMC00_MP-6M1	V1	00SMC_MP/6.2	Soğutma Fanı1
	00SMC_MP/6.3	+		GNYE	+SMC00_MP-6M1	PE	00SMC_MP/6.2	Soğutma Fanı1
	00SMC_MP/6.2	+SMC00_MP-7X1	3	GY	+SMC00_MP-6M1	W1	00SMC_MP/6.2	Soğutma Fanı1
Cable name +SMC00-6W2			Cable type H05VV-F					
Function text MP>Pano Odası Soğutma Fanı 2			No. of conductors 4			Cross-section 1,5		Voltage Level
Function text	Page / column	Target designation from	Connection point	Conductor	Target designation to	Connection point	Page / column	Function text
	00SMC_MP/6.4	+SMC00_MP-7X1	4	BK	+SMC00_MP-6M2	U1	00SMC_MP/6.4	Soğutma Fanı2
	00SMC_MP/6.4	+SMC00_MP-7X1	5	BN	+SMC00_MP-6M2	V1	00SMC_MP/6.4	Soğutma Fanı2
	00SMC_MP/6.5	+		GNYE	+SMC00_MP-6M2	PE	00SMC_MP/6.4	Soğutma Fanı2
	00SMC_MP/6.5	+SMC00_MP-7X1	6	GY	+SMC00_MP-6M2	W1	00SMC_MP/6.4	Soğutma Fanı2
Cable name +SMC00-7W3			Cable type LIYCY					
Function text OPK>MP Joystick 0-10VDC Analog Referans			No. of conductors 8			Cross-section 0,75		Voltage Level
Function text	Page / column	Target designation from	Connection point	Conductor	Target designation to	Connection point	Page / column	Function text
	00SMC Sol Joystick Panosu/5.7	SMC00 Sol Joystick Panosu-7X2	1	1	+SMC00_MP-71A1	-X11:3.0	00SMC_MP/72.2	Kanca Joystick Pot.
	00SMC Sol Joystick Panosu/5.7	SMC00 Sol Joystick Panosu-7X2	2	2	+SMC00_MP-71A1	-X11:4.2	00SMC_MP/72.3	Bom Joystick Pot.
	00SMC Sol Joystick Panosu/5.8	SMC00 Sol Joystick Panosu-7X2	3	3	+SMC00_MP-71A1	-X11:4.4	00SMC_MP/72.4	Döndürme Joystick Pot.
	00SMC Sol Joystick Panosu/5.8	SMC00 Sol Joystick Panosu-7X2	4	4	+SMC00_MP-71A1	-X11:4.0	00SMC_MP/72.2	Kanca Joystick Pot.
	00SMC Sol Joystick Panosu/5.8	SMC00 Sol Joystick Panosu-7X2	5	5	+SMC00_MP-71A1	-X11:4.6	00SMC_MP/72.5	Yürütme Joystick Pot.

Cable name +SMC00-10W1			Cable type H05V-K					
Function text MP>Ana Kanca Motor L1			No. of conductors 1			Cross-section 50		Voltage Level
Function text	Page / column	Target designation from	Connection point	Conductor	Target designation to	Connection point	Page / column	Function text
	00SMC_MP/10.3	+SMC00_MP-10X1	1:2	BK	+SMC00_MP-10M	U1	00SMC_MP/10.3	Ana Kanca Motor
Cable name +SMC00-10W2			Cable type H05V-K					
Function text MP>Ana Kanca Motor L2			No. of conductors 1			Cross-section 50		Voltage Level
Function text	Page / column	Target designation from	Connection point	Conductor	Target designation to	Connection point	Page / column	Function text
	00SMC_MP/10.4	+SMC00_MP-10X1	2:2	BK	+SMC00_MP-10M	V1	00SMC_MP/10.3	Ana Kanca Motor
Cable name +SMC00-10W3			Cable type H05V-K					
Function text MP>Ana Kanca Motor L3			No. of conductors 1			Cross-section 50		Voltage Level
Function text	Page / column	Target designation from	Connection point	Conductor	Target designation to	Connection point	Page / column	Function text
	00SMC_MP/10.4	+SMC00_MP-10X1	3:2	BK	+SMC00_MP-10M	W1	00SMC_MP/10.3	Ana Kanca Motor
Cable name +SMC00-10W4			Cable type H05V-K					
Function text MP>Ana Kanca Motor PE			No. of conductors 1			Cross-section 35		Voltage Level
Function text	Page / column	Target designation from	Connection point	Conductor	Target designation to	Connection point	Page / column	Function text
Ana Kanca Motor	00SMC_MP/10.3	+SMC00_MP-10M	PE	GNYE	+SMC00_MP-PE01	PE	00SMC_MP/10.4	
Cable name +SMC00-10W5			Cable type H05V-K					
Function text MP>Ana Kanca Frenleme Direnci R-			No. of conductors 1			Cross-section 70		Voltage Level
Function text	Page / column	Target designation from	Connection point	Conductor	Target designation to	Connection point	Page / column	Function text
	00SMC_MP/10.6	+SMC00_MP-10X1	4	BK	+SMC00_MP-10R	x2	00SMC_MP/10.6	Ana Kanca Frenleme Direnci

Cable name +SMC00-10W6			Cable type H05V-K					
Function text MP>Ana Kanca Frenleme Direnci R+			No. of conductors 1			Cross-section 70		Voltage Level
Function text	Page / column	Target designation from	Connection point	Conductor	Target designation to	Connection point	Page / column	Function text
	00SMC_MP/10.6	+SMC00_MP-10X1	5	BK	+SMC00_MP-10R	x1	00SMC_MP/10.6	Ana Kanca Frenleme Direnci
Cable name +SMC00-10W7			Cable type H05V-K					
Function text MP>Ana Kanca Frenleme Direnci PE			No. of conductors 1			Cross-section 35		Voltage Level
Function text	Page / column	Target designation from	Connection point	Conductor	Target designation to	Connection point	Page / column	Function text
Ana Kanca Frenleme Direnci	00SMC_MP/10.6	+SMC00_MP-10R	PE	GNYE	+SMC00_MP-PE01	PE	00SMC_MP/10.6	
Cable name +SMC00-11W1			Cable type H05VV-F					
Function text MP>Ana Kanca E.M.Fren1			No. of conductors 3			Cross-section 1,5		Voltage Level
Function text	Page / column	Target designation from	Connection point	Conductor	Target designation to	Connection point	Page / column	Function text
	00SMC_MP/11.2	+SMC00_MP-11X1	1	BN	+SMC00_MP-11V1	~	00SMC_MP/11.2	
	00SMC_MP/11.2	+SMC00_MP-11X1	2	GY	+SMC00_MP-11V1	~	00SMC_MP/11.2	
Cable name +SMC00-11W2			Cable type H05VV-F					
Function text MP>Ana Kanca E.M.Fren2			No. of conductors 3			Cross-section 1,5		Voltage Level
Function text	Page / column	Target designation from	Connection point	Conductor	Target designation to	Connection point	Page / column	Function text
	00SMC_MP/11.4	+SMC00_MP-11X1	3	BN	+SMC00_MP-11V2	~	00SMC_MP/11.4	
	00SMC_MP/11.4	+SMC00_MP-11X1	4	GY	+SMC00_MP-11V2	~	00SMC_MP/11.4	

Cable name			Cable type					
+SMC00-13W1			H05VV-F					
Function text			No. of conductors			Cross-section		Voltage Level
MP>A.Kanca,Y.Kanca,Yürütme Joys.+Kontrol Butonları			16			1,5		
Function text	Page / column	Target designation from	Connection point	Conductor	Target designation to	Connection point	Page / column	Function text
	00SMC_MP/13.3	+SMC00_MP-13X1	1	1	+SMC00 Sağ Joystick Panosu-5X1	1	00SMC Sağ Joystick Panosu/7.1	
	00SMC_MP/13.4	+SMC00_MP-13X1	2	2	+SMC00 Sağ Joystick Panosu-5X1	4	00SMC Sağ Joystick Panosu/7.2	
	00SMC_MP/13.6	+SMC00_MP-13X1	3	3	+SMC00 Sağ Joystick Panosu-5X1	5	00SMC Sağ Joystick Panosu/7.3	
	00SMC_MP/40.3	+SMC00_MP-40X1	1	6	+SMC00 Sağ Joystick Panosu-5X1	6	00SMC Sağ Joystick Panosu/7.3	
	00SMC_MP/40.5	+SMC00_MP-40X1	2	7	+SMC00 Sağ Joystick Panosu-5X1	7	00SMC Sağ Joystick Panosu/7.4	
	00SMC_MP/4.1	+SMC00_MP-4X1	1	8	+SMC00 Sol Joystick Panosu-8X1	5	00SMC Sol Joystick Panosu/6.6	
	00SMC_MP/4.1	+SMC00_MP-4X1	2	9	+SMC00 Sol Joystick Panosu-8X1	6	00SMC Sol Joystick Panosu/6.7	
	00SMC_MP/61.9	+SMC00_MP-61X1	9		+SMC00 Sağ Joystick Panosu-8S6	13	00SMC Sağ Joystick Panosu/8.5	
Cable name			Cable type					
+SMC00-14W1			LIYCY					
Function text			No. of conductors			Cross-section		Voltage Level
MP>Ana Kanca Motor Enkoder			8			0,75		
Function text	Page / column	Target designation from	Connection point	Conductor	Target designation to	Connection point	Page / column	Function text
	00SMC_MP/14.4	+SMC00_MP-14X1	1	1	+SMC00_MP-10M	+	00SMC_MP/14.4	Ana Kanca Motor Enkoder
	00SMC_MP/14.4	+SMC00_MP-14X1	2	2	+SMC00_MP-10M	-	00SMC_MP/14.4	Ana Kanca Motor Enkoder
	00SMC_MP/14.4	+SMC00_MP-14X1	3	3	+SMC00_MP-10M	A	00SMC_MP/14.4	Ana Kanca Motor Enkoder
	00SMC_MP/14.5	+SMC00_MP-14X1	4	4	+SMC00_MP-10M	A/	00SMC_MP/14.4	Ana Kanca Motor Enkoder
	00SMC_MP/14.5	+SMC00_MP-14X1	5	5	+SMC00_MP-10M	B	00SMC_MP/14.4	Ana Kanca Motor Enkoder
	00SMC_MP/14.5	+SMC00_MP-14X1	6	6	+SMC00_MP-10M	B/	00SMC_MP/14.4	Ana Kanca Motor Enkoder

Cable name +SMC00-15W1			Cable type LIYCY					
Function text MP>Ana Kanca Motor PTC			No. of conductors 2			Cross-section 0,75		Voltage Level
Function text	Page / column	Target designation from	Connection point	Conductor	Target designation to	Connection point	Page / column	Function text
	00SMC_MP/15.4	+SMC00_MP-15X1	1	BN	+SMC00_MP-10B	x1	00SMC_MP/15.4	Ana Kanca Motor PTC
	00SMC_MP/15.4	+SMC00_MP-15X1	2	WH	+SMC00_MP-10B	x2	00SMC_MP/15.4	Ana Kanca Motor PTC
Cable name +SMC00-16W1			Cable type H05VV-F					
Function text MP>Ana Kanca Tambur Siviç			No. of conductors 5			Cross-section 1,5		Voltage Level
Function text	Page / column	Target designation from	Connection point	Conductor	Target designation to	Connection point	Page / column	Function text
	00SMC_MP/16.3	+SMC00_MP-16X1	1	BK	+SMC00_MP-16S1	11	00SMC_MP/16.4	Up Stop
	00SMC_MP/16.4	+SMC00_MP-16X1	2	BN	+SMC00_MP-16S1	12	00SMC_MP/16.4	Up Stop
	00SMC_MP/16.6	+SMC00_MP-16X1	4	BU	+SMC00_MP-16S1	2	00SMC_MP/16.6	Up Slowdown
	00SMC_MP/16.7	+SMC00_MP-16X1	5	GNYE	+SMC00_MP-16S1	2	00SMC_MP/16.7	Down Slowdown
	00SMC_MP/16.5	+SMC00_MP-16X1	3	GY	+SMC00_MP-16S1	2	00SMC_MP/16.5	Down Stop
Cable name +SMC00-20W1			Cable type H05V-K					
Function text MP>Yardımcı Kanca Motor L1			No. of conductors 1			Cross-section 10		Voltage Level
Function text	Page / column	Target designation from	Connection point	Conductor	Target designation to	Connection point	Page / column	Function text
	00SMC_MP/20.3	+SMC00_MP-20X1	1:2	BK	+SMC00_MP-20M	U1	00SMC_MP/20.3	Yardımcı Kanca Motor
Cable name +SMC00-20W2			Cable type H05V-K					
Function text MP>Yardımcı Kanca Motor L2			No. of conductors 1			Cross-section 10		Voltage Level
Function text	Page / column	Target designation from	Connection point	Conductor	Target designation to	Connection point	Page / column	Function text
	00SMC_MP/20.3	+SMC00_MP-20X1	2:2	BK	+SMC00_MP-20M	V1	00SMC_MP/20.3	Yardımcı Kanca Motor
Cable name +SMC00-20W3			Cable type H05V-K					
Function text MP>Yardımcı Kanca Motor L3			No. of conductors 1			Cross-section 10		Voltage Level
Function text	Page / column	Target designation from	Connection point	Conductor	Target designation to	Connection point	Page / column	Function text
	00SMC_MP/20.4	+SMC00_MP-20X1	3:2	BK	+SMC00_MP-20M	W1	00SMC_MP/20.3	Yardımcı Kanca Motor

Cable name +SMC00-20W4			Cable type H05V-K					
Function text MP>Yardımcı Kanca Motor PE			No. of conductors 1			Cross-section 10		Voltage Level
Function text	Page / column	Target designation from	Connection point	Conductor	Target designation to	Connection point	Page / column	Function text
Yardımcı Kanca Motor	00SMC_MP/20.3	+SMC00_MP-20M	PE	GNYE	+SMC00_MP-PE01	PE	00SMC_MP/20.4	
Cable name +SMC00-20W5			Cable type H07V-K					
Function text MP>Bom Kaldırma Frenleme Direnci R-			No. of conductors 1			Cross-section 16		Voltage Level
Function text	Page / column	Target designation from	Connection point	Conductor	Target designation to	Connection point	Page / column	Function text
	00SMC_MP/20.5	+SMC00_MP-20X1	4	BK	+SMC00_MP-20R	x2	00SMC_MP/20.6	Yardımcı Kanca Frenleme Direnci
Cable name +SMC00-20W6			Cable type H07V-K					
Function text MP>Bom Kaldırma Frenleme Direnci R+			No. of conductors 1			Cross-section 16		Voltage Level
Function text	Page / column	Target designation from	Connection point	Conductor	Target designation to	Connection point	Page / column	Function text
	00SMC_MP/20.6	+SMC00_MP-20X1	5	BK	+SMC00_MP-20R	x1	00SMC_MP/20.6	Yardımcı Kanca Frenleme Direnci
Cable name +SMC00-20W7			Cable type H07V-K					
Function text MP>Bom Kaldırma Frenleme Direnci PE			No. of conductors 1			Cross-section 10		Voltage Level
Function text	Page / column	Target designation from	Connection point	Conductor	Target designation to	Connection point	Page / column	Function text
Yardımcı Kanca Frenleme Direnci	00SMC_MP/20.6	+SMC00_MP-20R	PE	PE	+SMC00_MP-PE01	PE	00SMC_MP/20.6	
Cable name +SMC00-21W1			Cable type H05VV-F					
Function text MP>Yard. Kanca E.M.Fren1			No. of conductors 3			Cross-section 1,5		Voltage Level
Function text	Page / column	Target designation from	Connection point	Conductor	Target designation to	Connection point	Page / column	Function text
	00SMC_MP/21.3	+SMC00_MP-21X1	1	BN	+SMC00_MP-21V1	~	00SMC_MP/21.3	
	00SMC_MP/21.3	+SMC00_MP-21X1	2	GY	+SMC00_MP-21V1	~	00SMC_MP/21.3	
Cable name +SMC00-21W2			Cable type H05VV-F					
Function text MP>Yard. Kanca E.M.Fren2			No. of conductors 3			Cross-section 1,5		Voltage Level
Function text	Page / column	Target designation from	Connection point	Conductor	Target designation to	Connection point	Page / column	Function text
	00SMC_MP/21.5	+SMC00_MP-21X1	3	BN	+SMC00_MP-21V2	~	00SMC_MP/21.5	
	00SMC_MP/21.5	+SMC00_MP-21X1	4	GY	+SMC00_MP-21V2	~	00SMC_MP/21.5	

Cable name +SMC00-24W1			Cable type LIYCY					
Function text MP>Yardımcı Kanca Motor Enkoder			No. of conductors 8			Cross-section 0,75		Voltage Level
Function text	Page / column	Target designation from	Connection point	Conductor	Target designation to	Connection point	Page / column	Function text
	00SMC_MP/24.4	+SMC00_MP-24X1	1	1	+SMC00_MP-20M	+	00SMC_MP/24.4	Yardımcı Kanca Motor Enkoder
	00SMC_MP/24.4	+SMC00_MP-24X1	2	2	+SMC00_MP-20M	-	00SMC_MP/24.4	Yardımcı Kanca Motor Enkoder
	00SMC_MP/24.5	+SMC00_MP-24X1	3	3	+SMC00_MP-20M	A	00SMC_MP/24.4	Yardımcı Kanca Motor Enkoder
	00SMC_MP/24.5	+SMC00_MP-24X1	4	4	+SMC00_MP-20M	A/	00SMC_MP/24.4	Yardımcı Kanca Motor Enkoder
	00SMC_MP/24.5	+SMC00_MP-24X1	5	5	+SMC00_MP-20M	B	00SMC_MP/24.4	Yardımcı Kanca Motor Enkoder
	00SMC_MP/24.6	+SMC00_MP-24X1	6	6	+SMC00_MP-20M	B/	00SMC_MP/24.4	Yardımcı Kanca Motor Enkoder
Cable name +SMC00-25W1			Cable type LIYCY					
Function text MP>Yardımcı Kanca Motor PTC			No. of conductors 2			Cross-section 0,75		Voltage Level
Function text	Page / column	Target designation from	Connection point	Conductor	Target designation to	Connection point	Page / column	Function text
	00SMC_MP/25.4	+SMC00_MP-25X1	1	BN	+SMC00_MP-10B	x1	00SMC_MP/25.4	Yardımcı Kanca Motor PTC
	00SMC_MP/25.4	+SMC00_MP-25X1	2	WH	+SMC00_MP-10B	x2	00SMC_MP/25.4	Yardımcı Kanca Motor PTC
Cable name +SMC00-26W1			Cable type H05VV-F					
Function text MP>Yardımcı Kanca Tambur Siviç			No. of conductors 5			Cross-section 1,5		Voltage Level
Function text	Page / column	Target designation from	Connection point	Conductor	Target designation to	Connection point	Page / column	Function text
	00SMC_MP/26.3	+SMC00_MP-26X1	1	BK	+SMC00_MP-26S1	11	00SMC_MP/26.4	Up Stop
	00SMC_MP/26.4	+SMC00_MP-26X1	2	BN	+SMC00_MP-26S1	12	00SMC_MP/26.4	Up Stop
	00SMC_MP/26.6	+SMC00_MP-26X1	4	BU	+SMC00_MP-26S1	2	00SMC_MP/26.6	Up Slowdown
	00SMC_MP/26.7	+SMC00_MP-26X1	5	GNYE	+SMC00_MP-26S1	2	00SMC_MP/26.7	Down Slowdown
	00SMC_MP/26.5	+SMC00_MP-26X1	3	GY	+SMC00_MP-26S1	2	00SMC_MP/26.5	Down Stop
Cable name +SMC00-30W1			Cable type H07V-K					
Function text MP>Bom Kaldırma Motor L1			No. of conductors 1			Cross-section 16		Voltage Level
Function text	Page / column	Target designation from	Connection point	Conductor	Target designation to	Connection point	Page / column	Function text
	00SMC_MP/30.3	+SMC00_MP-30X1	1:2	BK	+SMC00_MP-30M	U1	00SMC_MP/30.3	Bom Motor



Cable name +SMC00-30W2			Cable type H07V-K					
Function text MP>Bom Kaldırma Motor L2			No. of conductors 1			Cross-section 16		Voltage Level
Function text	Page / column	Target designation from	Connection point	Conductor	Target designation to	Connection point	Page / column	Function text
	00SMC_MP/30.3	+SMC00_MP-30X1	2:2	BK	+SMC00_MP-30M	V1	00SMC_MP/30.3	Bom Motor
Cable name +SMC00-30W3			Cable type H07V-K					
Function text MP>Bom Kaldırma Motor L3			No. of conductors 1			Cross-section 16		Voltage Level
Function text	Page / column	Target designation from	Connection point	Conductor	Target designation to	Connection point	Page / column	Function text
	00SMC_MP/30.4	+SMC00_MP-30X1	3:2	BK	+SMC00_MP-30M	W1	00SMC_MP/30.3	Bom Motor
Cable name +SMC00-30W4			Cable type H07V-K					
Function text MP>Bom Kaldırma Motor PE			No. of conductors 1			Cross-section 16		Voltage Level
Function text	Page / column	Target designation from	Connection point	Conductor	Target designation to	Connection point	Page / column	Function text
Bom Motor	00SMC_MP/30.3	+SMC00_MP-30M	PE	GNYE	+SMC00_MP-PE01	PE	00SMC_MP/30.4	
Cable name +SMC00-30W5			Cable type H05V-K					
Function text MP>Bom Frenleme Direnci R-			No. of conductors 1			Cross-section 35		Voltage Level
Function text	Page / column	Target designation from	Connection point	Conductor	Target designation to	Connection point	Page / column	Function text
	00SMC_MP/30.5	+SMC00_MP-30X1	4	BK	+SMC00_MP-30R	x2	00SMC_MP/30.6	Bom Frenleme Direnci
Cable name +SMC00-30W6			Cable type H05V-K					
Function text MP>Bom Frenleme Direnci R+			No. of conductors 1			Cross-section 35		Voltage Level
Function text	Page / column	Target designation from	Connection point	Conductor	Target designation to	Connection point	Page / column	Function text
	00SMC_MP/30.6	+SMC00_MP-30X1	5	BK	+SMC00_MP-30R	x1	00SMC_MP/30.6	Bom Frenleme Direnci
Cable name +SMC00-30W7			Cable type H05V-K					
Function text MP>Bom Frenleme Direnci PE			No. of conductors 1			Cross-section 16		Voltage Level
Function text	Page / column	Target designation from	Connection point	Conductor	Target designation to	Connection point	Page / column	Function text
Bom Frenleme Direnci	00SMC_MP/30.6	+SMC00_MP-30R	PE	GNYE	+SMC00_MP-PE01	PE	00SMC_MP/30.6	

Cable name +SMC00-31W1			Cable type H05VV-F					
Function text MP>Bom Kaldırma Eldro Fren			No. of conductors 4			Cross-section 1,5		Voltage Level
Function text	Page / column	Target designation from	Connection point	Conductor	Target designation to	Connection point	Page / column	Function text
	00SMC_MP/31.1	+SMC00_MP-31X1	1	BK	+SMC00_MP-31Y	U1	00SMC_MP/31.1	Bom Eldro Fren
	00SMC_MP/31.1	+SMC00_MP-31X1	2	BN	+SMC00_MP-31Y	V1	00SMC_MP/31.1	Bom Eldro Fren
	00SMC_MP/31.1	+		GNYE	+SMC00_MP-31Y	PE	00SMC_MP/31.1	Bom Eldro Fren
	00SMC_MP/31.1	+SMC00_MP-31X1	3	GY	+SMC00_MP-31Y	W1	00SMC_MP/31.1	Bom Eldro Fren
Cable name +SMC00-31W2			Cable type H05VV-F					
Function text MP>Bom E.M.Fren1			No. of conductors 3			Cross-section 1,5		Voltage Level
Function text	Page / column	Target designation from	Connection point	Conductor	Target designation to	Connection point	Page / column	Function text
	00SMC_MP/31.3	+SMC00_MP-31X1	4	BN	+SMC00_MP-31V1	~	00SMC_MP/31.3	
	00SMC_MP/31.3	+SMC00_MP-31X1	5		+SMC00_MP-31V1	~	00SMC_MP/31.3	
Cable name +SMC00-31W3			Cable type H05VV-F					
Function text MP>Bom E.M.Fren2			No. of conductors 3			Cross-section 1,5		Voltage Level
Function text	Page / column	Target designation from	Connection point	Conductor	Target designation to	Connection point	Page / column	Function text
	00SMC_MP/31.5	+SMC00_MP-31X1	6	BN	+SMC00_MP-31V2	~	00SMC_MP/31.5	
	00SMC_MP/31.5	+SMC00_MP-31X1	7		+SMC00_MP-31V2	~	00SMC_MP/31.5	
Cable name +SMC00-33W1			Cable type H05VV-F					
Function text MP>Sol Joystik Bom+Döndürme			No. of conductors 5			Cross-section 1,5		Voltage Level
Function text	Page / column	Target designation from	Connection point	Conductor	Target designation to	Connection point	Page / column	Function text
	00SMC_MP/33.3	+SMC00_MP-33X1	1	BK	+SMC00 Sol Joystik Panosu-5X1	1	00SMC Sol Joystik Panosu/5.2	
	00SMC_MP/33.5	+SMC00_MP-33X1	2	BN	+SMC00 Sol Joystik Panosu-5X1	2	00SMC Sol Joystik Panosu/5.2	
	00SMC_MP/33.6	+SMC00_MP-33X1	3	GY	+SMC00 Sol Joystik Panosu-5X1	3	00SMC Sol Joystik Panosu/5.3	

Cable name			Cable type					
+SMC00-34W1			LIYCY					
Function text			No. of conductors			Cross-section		Voltage Level
MP>Bom Kaldırma Motor Enkoder			8			0,75		
Function text	Page / column	Target designation from	Connection point	Conductor	Target designation to	Connection point	Page / column	Function text
	00SMC_MP/34.4	+SMC00_MP-34X1	1	1	+SMC00_MP-30M	+	00SMC_MP/34.4	Bom Motor Enkoder
	00SMC_MP/34.4	+SMC00_MP-34X1	2	2	+SMC00_MP-30M	-	00SMC_MP/34.4	Bom Motor Enkoder
	00SMC_MP/34.4	+SMC00_MP-34X1	3	3	+SMC00_MP-30M	A	00SMC_MP/34.4	Bom Motor Enkoder
	00SMC_MP/34.5	+SMC00_MP-34X1	4	4	+SMC00_MP-30M	A/	00SMC_MP/34.4	Bom Motor Enkoder
	00SMC_MP/34.5	+SMC00_MP-34X1	5	5	+SMC00_MP-30M	B	00SMC_MP/34.4	Bom Motor Enkoder
	00SMC_MP/34.5	+SMC00_MP-34X1	6	6	+SMC00_MP-30M	B/	00SMC_MP/34.4	Bom Motor Enkoder
Cable name			Cable type					
+SMC00-35W1			LIYCY					
Function text			No. of conductors			Cross-section		Voltage Level
MP>Bom Motor PTC			2			0,75		
Function text	Page / column	Target designation from	Connection point	Conductor	Target designation to	Connection point	Page / column	Function text
	00SMC_MP/35.4	+SMC00_MP-35X1	1	BN	+SMC00_MP-30B	x1	00SMC_MP/35.5	Bom Motor PTC
	00SMC_MP/35.5	+SMC00_MP-35X1	2	WH	+SMC00_MP-30B	x2	00SMC_MP/35.5	Bom Motor PTC
Cable name			Cable type					
+SMC00-36W1			H05VV-F					
Function text			No. of conductors			Cross-section		Voltage Level
MP>Bom Kaldırma Tambur Sivici			5			1,5		
Function text	Page / column	Target designation from	Connection point	Conductor	Target designation to	Connection point	Page / column	Function text
	00SMC_MP/36.4	+SMC00_MP-36X1	1	BK	+SMC00_MP-36S1	11	00SMC_MP/36.4	Up Stop
	00SMC_MP/36.4	+SMC00_MP-36X1	2	BN	+SMC00_MP-36S1	12	00SMC_MP/36.4	Up Stop
	00SMC_MP/36.6	+SMC00_MP-36X1	4	BU	+SMC00_MP-36S1	2	00SMC_MP/36.6	Up Slowdown
	00SMC_MP/36.7	+SMC00_MP-36X1	5	GNYE	+SMC00_MP-36S1	2	00SMC_MP/36.7	Down Slowdown
	00SMC_MP/36.5	+SMC00_MP-36X1	3	GY	+SMC00_MP-36S1	2	00SMC_MP/36.5	Down Stop
Cable name			Cable type					
+SMC00-37W1			H05VV-F					
Function text			No. of conductors			Cross-section		Voltage Level
Mp>Bom Yukarı Yavaşlama (Aç)			3			1,5		
Function text	Page / column	Target designation from	Connection point	Conductor	Target designation to	Connection point	Page / column	Function text
	00SMC_MP/37.3	+SMC00_MP-37X1	1	BK	+SMC00_MP-37S1	5	00SMC_MP/37.3	
	00SMC_MP/37.3	+SMC00_MP-37X1	2	BN	+SMC00_MP-37S1	6	00SMC_MP/37.3	

Cable name +SMC00-37W2			Cable type H05VV-F					
Function text Mp>Bom Yukarı Durdurma (Açı)			No. of conductors 3			Cross-section 1,5		Voltage Level
Function text	Page / column	Target designation from	Connection point	Conductor	Target designation to	Connection point	Page / column	Function text
	00SMC_MP/37.4	+SMC00_MP-37X1	3	BK	+SMC00_MP-37S2	5	00SMC_MP/37.4	
	00SMC_MP/37.4	+SMC00_MP-37X1	4	BN	+SMC00_MP-37S2	6	00SMC_MP/37.4	
Cable name +SMC00-37W3			Cable type H05VV-F					
Function text Mp>Bom Aşağı Yavaşlama (Açı)			No. of conductors 3			Cross-section 1,5		Voltage Level
Function text	Page / column	Target designation from	Connection point	Conductor	Target designation to	Connection point	Page / column	Function text
	00SMC_MP/37.5	+SMC00_MP-37X1	5	BK	+SMC00_MP-37S3	5	00SMC_MP/37.5	
	00SMC_MP/37.5	+SMC00_MP-37X1	6	BN	+SMC00_MP-37S3	6	00SMC_MP/37.5	
Cable name +SMC00-37W4			Cable type H05VV-F					
Function text Mp>Bom Aşağı Durdurma (Açı)			No. of conductors 3			Cross-section 1,5		Voltage Level
Function text	Page / column	Target designation from	Connection point	Conductor	Target designation to	Connection point	Page / column	Function text
	00SMC_MP/37.7	+SMC00_MP-37X1	7	BK	+SMC00_MP-37S4	5	00SMC_MP/37.7	
	00SMC_MP/37.7	+SMC00_MP-37X1	8	BN	+SMC00_MP-37S4	6	00SMC_MP/37.7	
Cable name +SMC00-40W4			Cable type H05VV-F					
Function text MP>Yürütme Motor4			No. of conductors 4			Cross-section 6		Voltage Level
Function text	Page / column	Target designation from	Connection point	Conductor	Target designation to	Connection point	Page / column	Function text
	00SMC Slipring/1.6	+	1		+	7	00SMC Sol Joystik Panosu/6.8	
	00SMC Slipring/1.7	+	2		+	8	00SMC Sol Joystik Panosu/6.9	

Cable name			Cable type							
Function text			No. of conductors			Cross-section		Voltage Level		
Function text	Page / column	Target designation from	Connection point	Conductor	Target designation to	Connection point	Page / column	Function text		
+SMC00-50W1			H05VV-F							
MP>Döndürme Motor 1			4			4				
	00SMC_MP/50.3	+SMC00_MP-50X1	1:2	BK	+SMC00_MP-50M1	U1	00SMC_MP/50.3	Döndürme Motor 1		
	00SMC_MP/50.3	+SMC00_MP-50X1	2:2	BN	+SMC00_MP-50M1	V1	00SMC_MP/50.3	Döndürme Motor 1		
	00SMC_MP/50.3	+SMC00_MP-PE01	PE	GNYE	+SMC00_MP-50M1	PE	00SMC_MP/50.3	Döndürme Motor 1		
	00SMC_MP/50.3	+SMC00_MP-50X1	3:2	GY	+SMC00_MP-50M1	W1	00SMC_MP/50.3	Döndürme Motor 1		
+SMC00-50W2			H05VV-F							
MP>Döndürme Motor 2			4			4				
	00SMC_MP/50.4	+SMC00_MP-50X1	4:2	BK	+SMC00_MP-50M2	U1	00SMC_MP/50.4	Döndürme Motor 2		
	00SMC_MP/50.5	+SMC00_MP-50X1	5:2	BN	+SMC00_MP-50M2	V1	00SMC_MP/50.4	Döndürme Motor 2		
	00SMC_MP/50.5	+SMC00_MP-PE01	PE	GNYE	+SMC00_MP-50M2	PE	00SMC_MP/50.4	Döndürme Motor 2		
	00SMC_MP/50.5	+SMC00_MP-50X1	6:2	GY	+SMC00_MP-50M2	W1	00SMC_MP/50.4	Döndürme Motor 2		



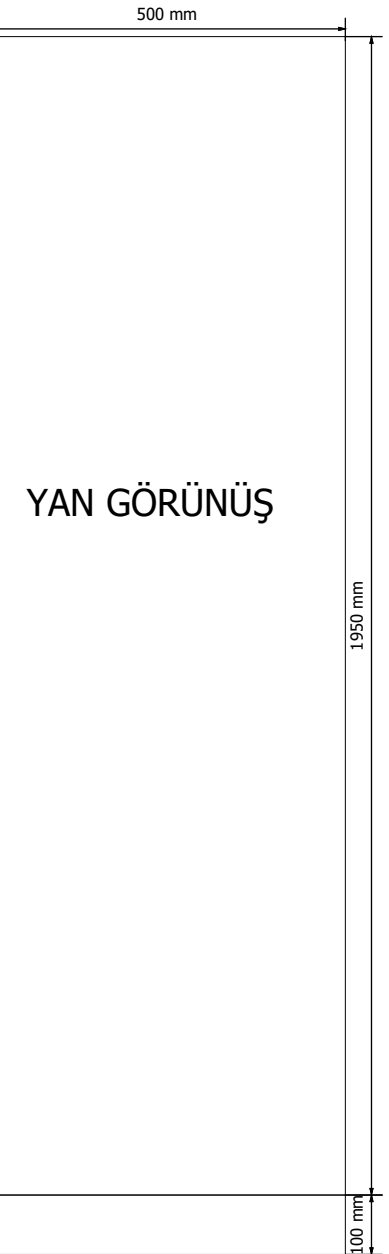
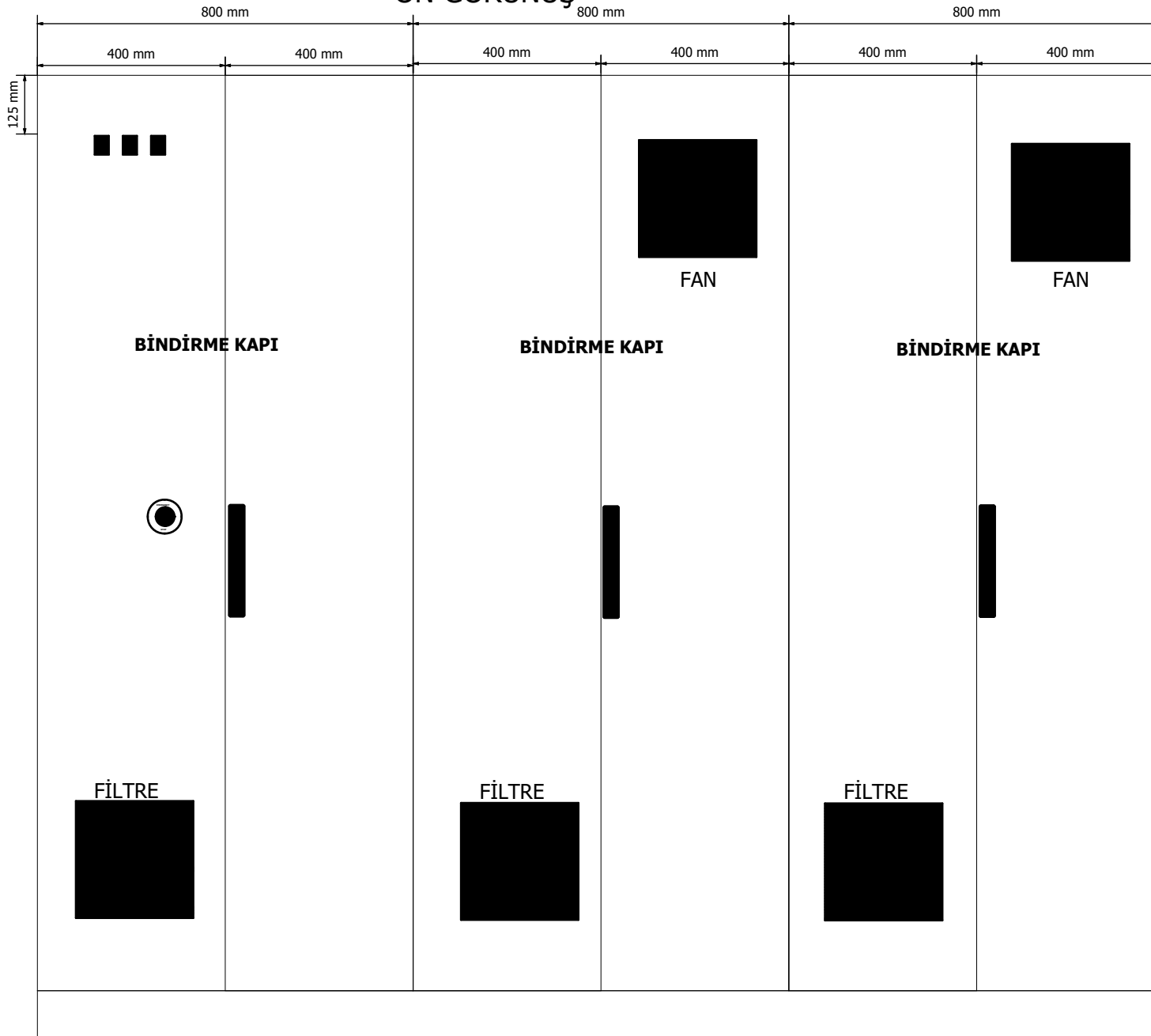
Cable name +SMC00-50W3			Cable type H05VV-F					
Function text MP>Döndürme Frenleme Direnci			No. of conductors 3			Cross-section 2,5		Voltage Level
Function text	Page / column	Target designation from	Connection point	Conductor	Target designation to	Connection point	Page / column	Function text
	00SMC_MP/50.6	+SMC00_MP-50X1	7	BN	+SMC00_MP-50R	x2	00SMC_MP/50.6	Döndürme Frenleme Direnci
	00SMC_MP/50.7	+SMC00_MP-PE01	PE	BU	+SMC00_MP-50R	PE	00SMC_MP/50.6	Döndürme Frenleme Direnci
	00SMC_MP/50.6	+SMC00_MP-50X1	8	GY	+SMC00_MP-50R	x1	00SMC_MP/50.6	Döndürme Frenleme Direnci
Cable name +SMC00-51W1			Cable type H05VV-F					
Function text MP>Döndürme E.M.Fren 1			No. of conductors 3			Cross-section 1,5		Voltage Level
Function text	Page / column	Target designation from	Connection point	Conductor	Target designation to	Connection point	Page / column	Function text
	00SMC_MP/51.3	+SMC00_MP-51X1	1	BN	+SMC00_MP-51V1	~	00SMC_MP/51.3	
	00SMC_MP/51.4	+SMC00_MP-51X1	2	GY	+SMC00_MP-51V1	~	00SMC_MP/51.4	
Cable name +SMC00-51W2			Cable type H05VV-F					
Function text MP>Döndürme E.M.Fren 2			No. of conductors 3			Cross-section 1,5		Voltage Level
Function text	Page / column	Target designation from	Connection point	Conductor	Target designation to	Connection point	Page / column	Function text
	00SMC_MP/51.5	+SMC00_MP-51X1	3	BN	+SMC00_MP-51V2	~	00SMC_MP/51.5	
	00SMC_MP/51.5	+SMC00_MP-51X1	4	GY	+SMC00_MP-51V2	~	00SMC_MP/51.5	



Cable name +SMC00-71W1			Cable type LIYCY					
Function text Ana Kanca Loadcell			No. of conductors 4			Cross-section 0,75		Voltage Level
Function text	Page / column	Target designation from	Connection point	Conductor	Target designation to	Connection point	Page / column	Function text
	00SMC OPK Panosu/3.7	+	ANALOG OUT	BN	+SMC00 _MP-71A1	2.0	00SMC _MP/71.2	Ana Kanca Loadcell
Ana Kanca Loadcell	00SMC _MP/71.2	+SMC00 _MP-71A1	1.0	WH	+SMC00 _MP-71A1	1.9	00SMC _MP/71.7	
Cable name +SMC00-71W2			Cable type LIYCY					
Function text Açı Sensörü1			No. of conductors 4			Cross-section 0,75		Voltage Level
Function text	Page / column	Target designation from	Connection point	Conductor	Target designation to	Connection point	Page / column	Function text
	00SMC _MP/71.3	+SMC00 _MP-71X1	1	BN	+SMC00 _MP-71A1	2.2	00SMC _MP/71.3	Açı Sensörü
	00SMC _MP/71.3	+SMC00 _MP-71X1	2	WH	+SMC00 _MP-71A1	1.2	00SMC _MP/71.3	Açı Sensörü
Cable name +SMC00-71W3			Cable type LIYCY					
Function text Açı Sensörü 2			No. of conductors 4			Cross-section 0,75		Voltage Level
Function text	Page / column	Target designation from	Connection point	Conductor	Target designation to	Connection point	Page / column	Function text
	00SMC _MP/71.4	+SMC00 _MP-71X2	1	BN	+SMC00 _MP-71A1	2.4	00SMC _MP/71.4	Açı Sensörü
	00SMC _MP/71.4	+SMC00 _MP-71X2	2	WH	+SMC00 _MP-71A1	1.4	00SMC _MP/71.4	Açı Sensörü

Cable name +SMC00-71W4			Cable type LIYCY						
Function text Rüzgar Gülü			No. of conductors 4			Cross-section 0,75		Voltage Level	
Function text	Page / column	Target designation from	Connection point	Conductor	Target designation to	Connection point	Page / column	Function text	
	00SMC_MP/71.6	+SMC00_MP-71X3	1	BN	+SMC00_MP-71A1	2.6	00SMC_MP/71.6	Rüzgar Gülü	
	00SMC_MP/71.6	+SMC00_MP-71X3	2	WH	+SMC00_MP-71A1	1.6	00SMC_MP/71.6	Rüzgar Gülü	

ÖN GÖRÜNÜŞ



2000Y*(800+1200)G*500D

EDITOR	Simge NALBANTOĞLU
DATE	
CONTROLLER	Barış DEMİR

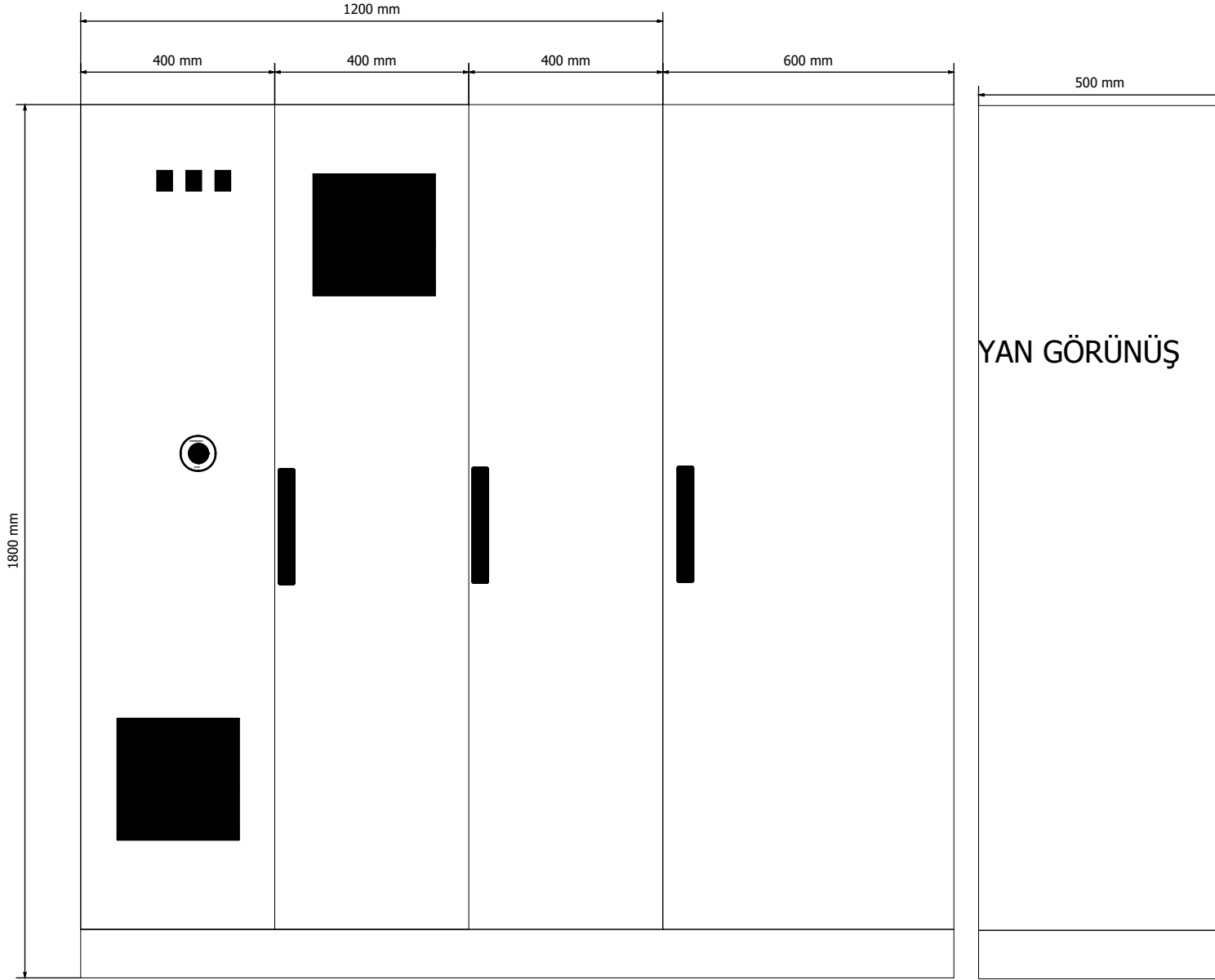


Beşiktaş Yüzer Havuz

Ana Pano Dış Görünüş 1

= 00SMC00GH00x
+ SMC00
Page / 1
29

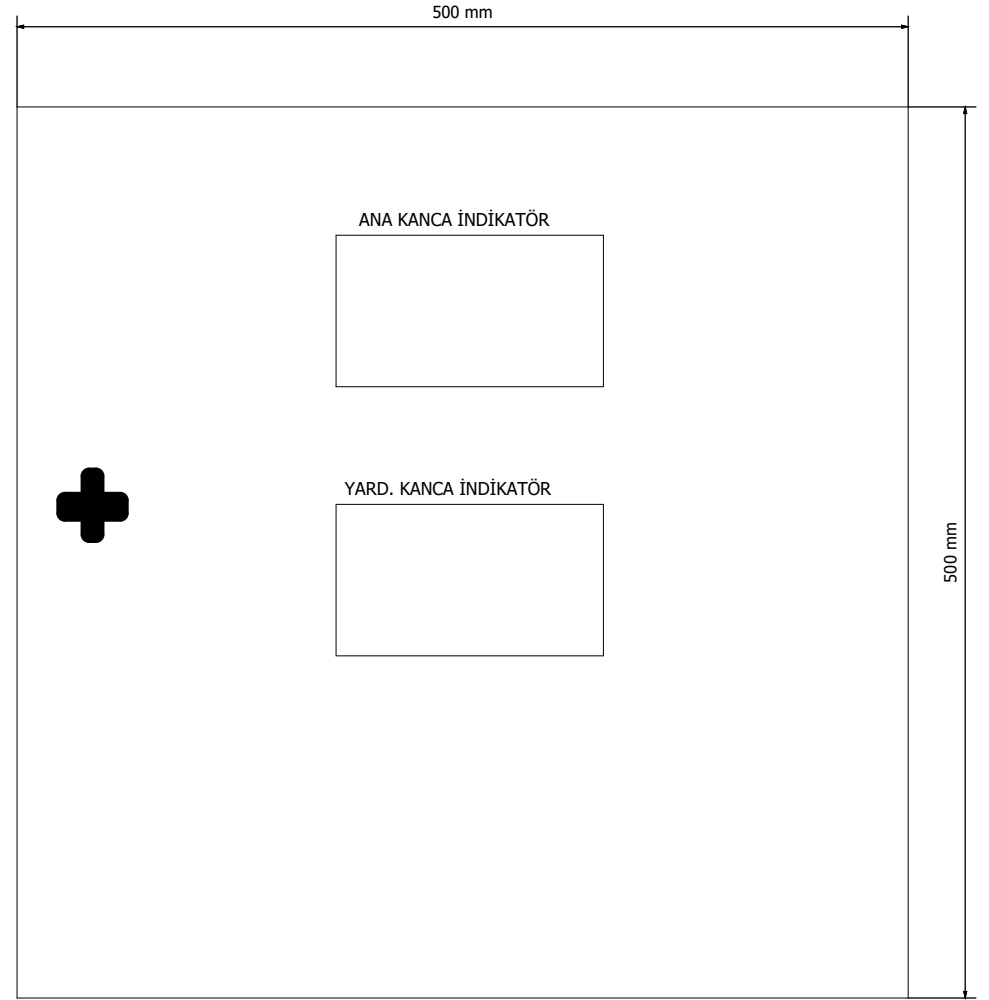
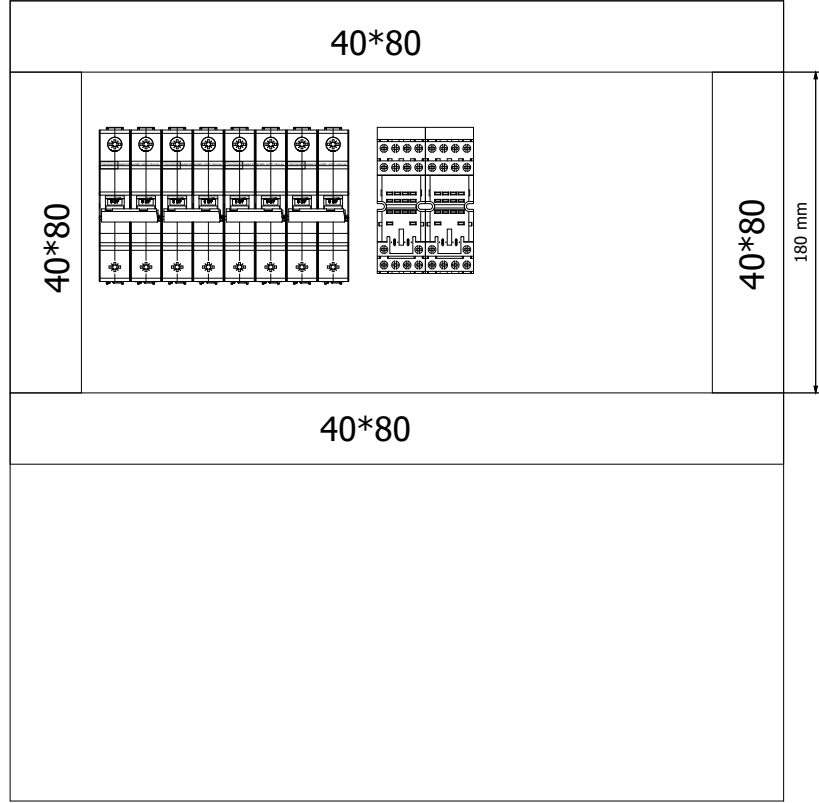
1200mm olan göz tek taban saclı olacaktır.



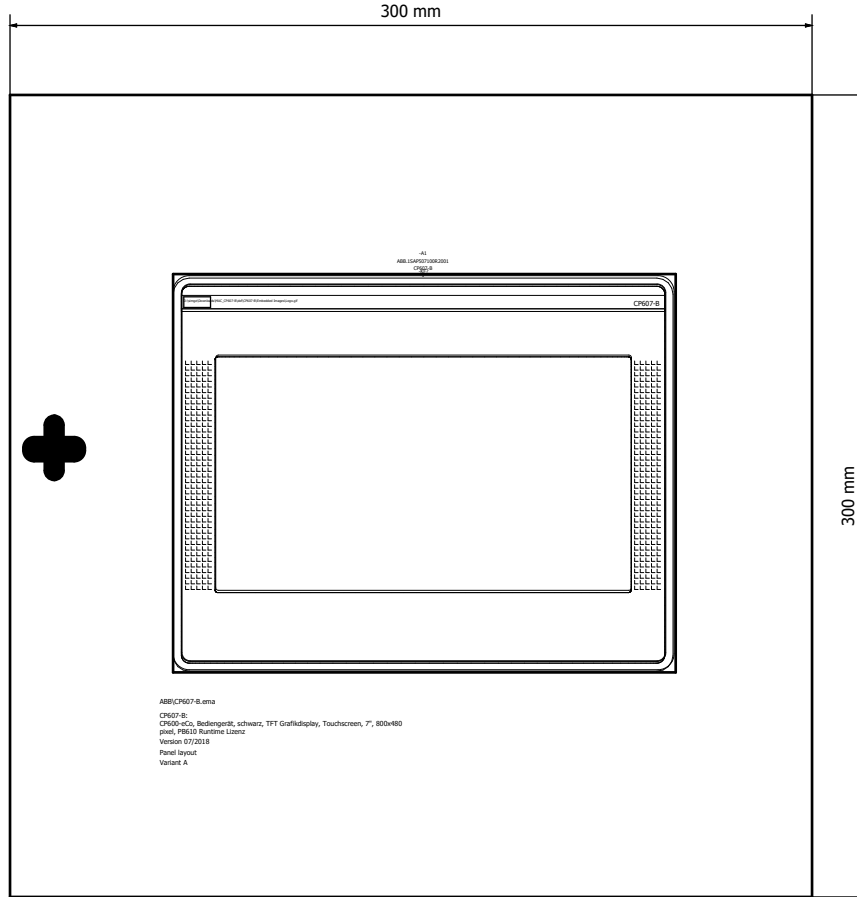
ÖN GÖRÜNÜŞ (1200+600)mmG*1800mmY*500mmD

EDITOR	Simge NALBANTOĞLU
DATE	
CONTROLLER	Barış DEMİR





TEKPAN
101.266
500Y*500G*280D

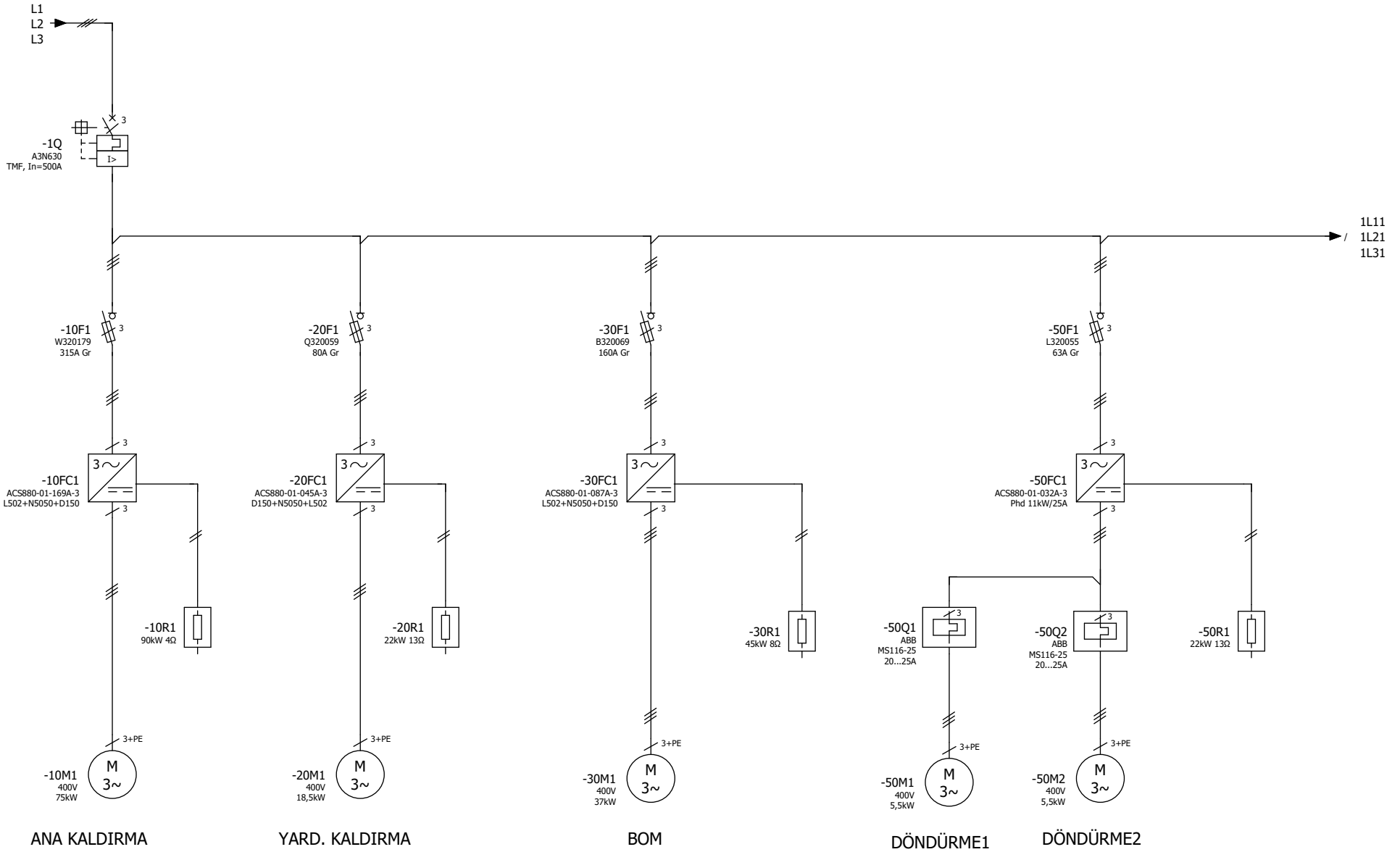


300Y*300G*150D

ABE/CP607-8.dwg
CP607-8:
CP607-8, Bediengert, schwarz, TFT Grafikdisplay, Touchscreen, 7", 800x480
proj. PHS/0, Kaufm. Lizenz
Version 07/2018
Panel layout
Variant 4

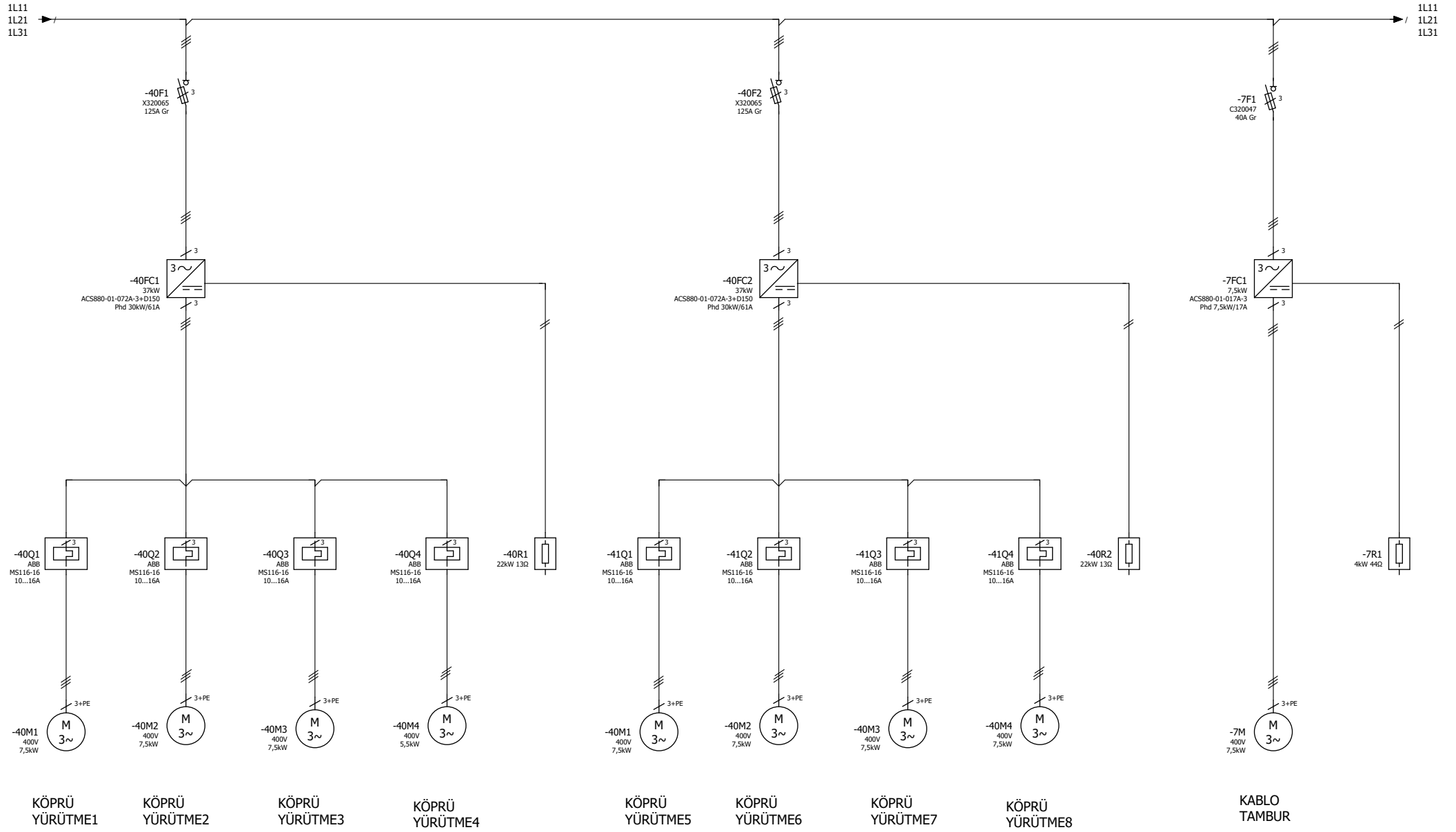
EDITOR	Simge NALBANTOĞLU
DATE	
CONTROLLER	Barış DEMİR





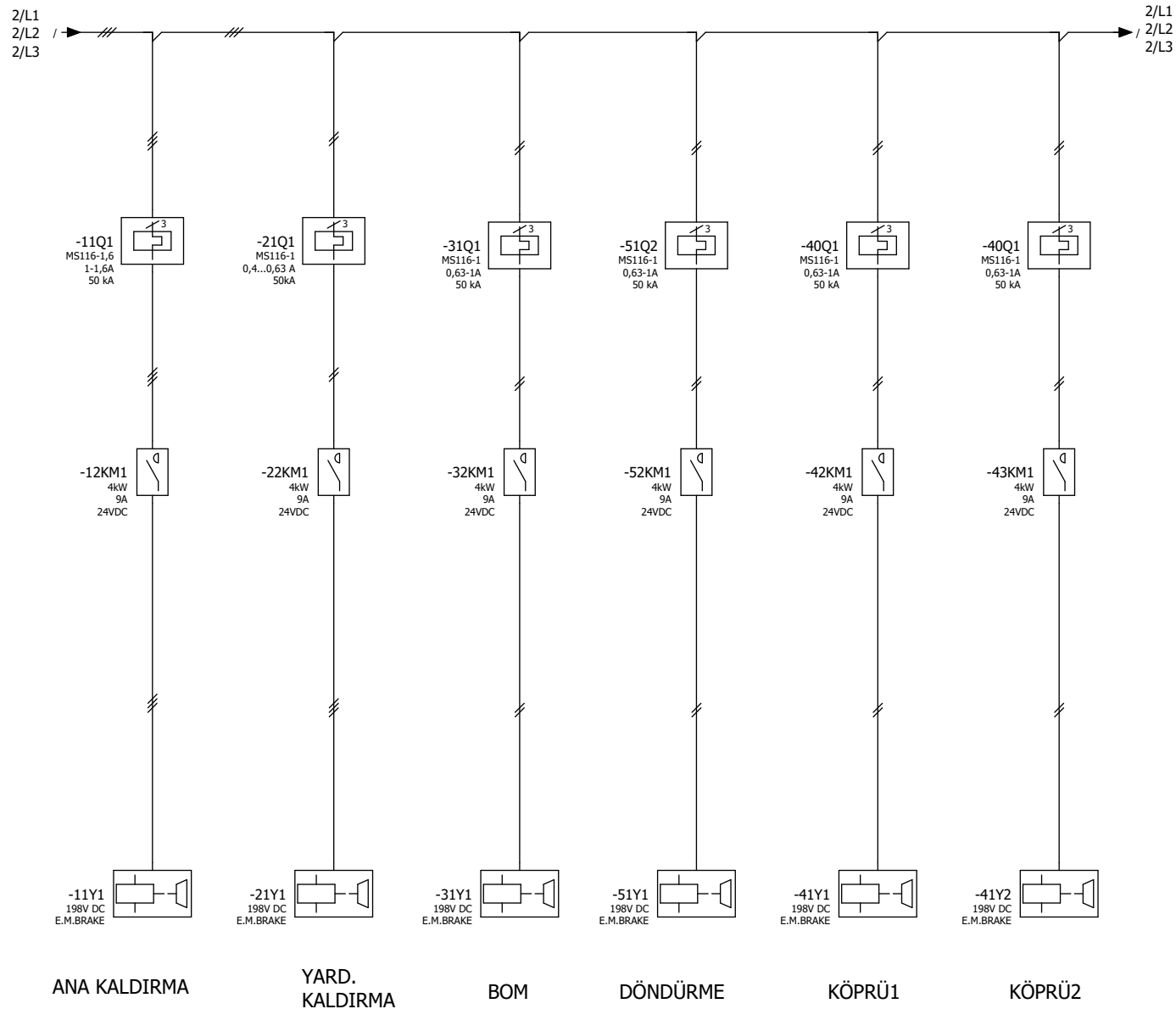
EDITOR	Simge NALBANTOĞLU
DATE	Tek Hat Şeması
CONTROLLER	Barış Demir

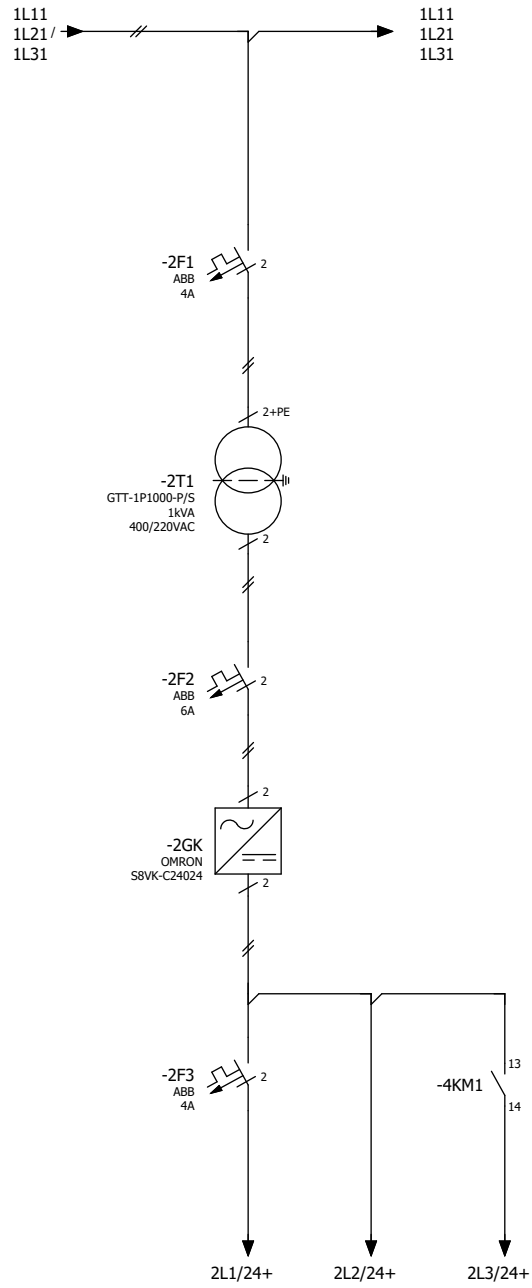




EDITOR	Simge NALBANTOĞLU
DATE	Tek Hat Şeması
CONTROLLER	Barış Demir

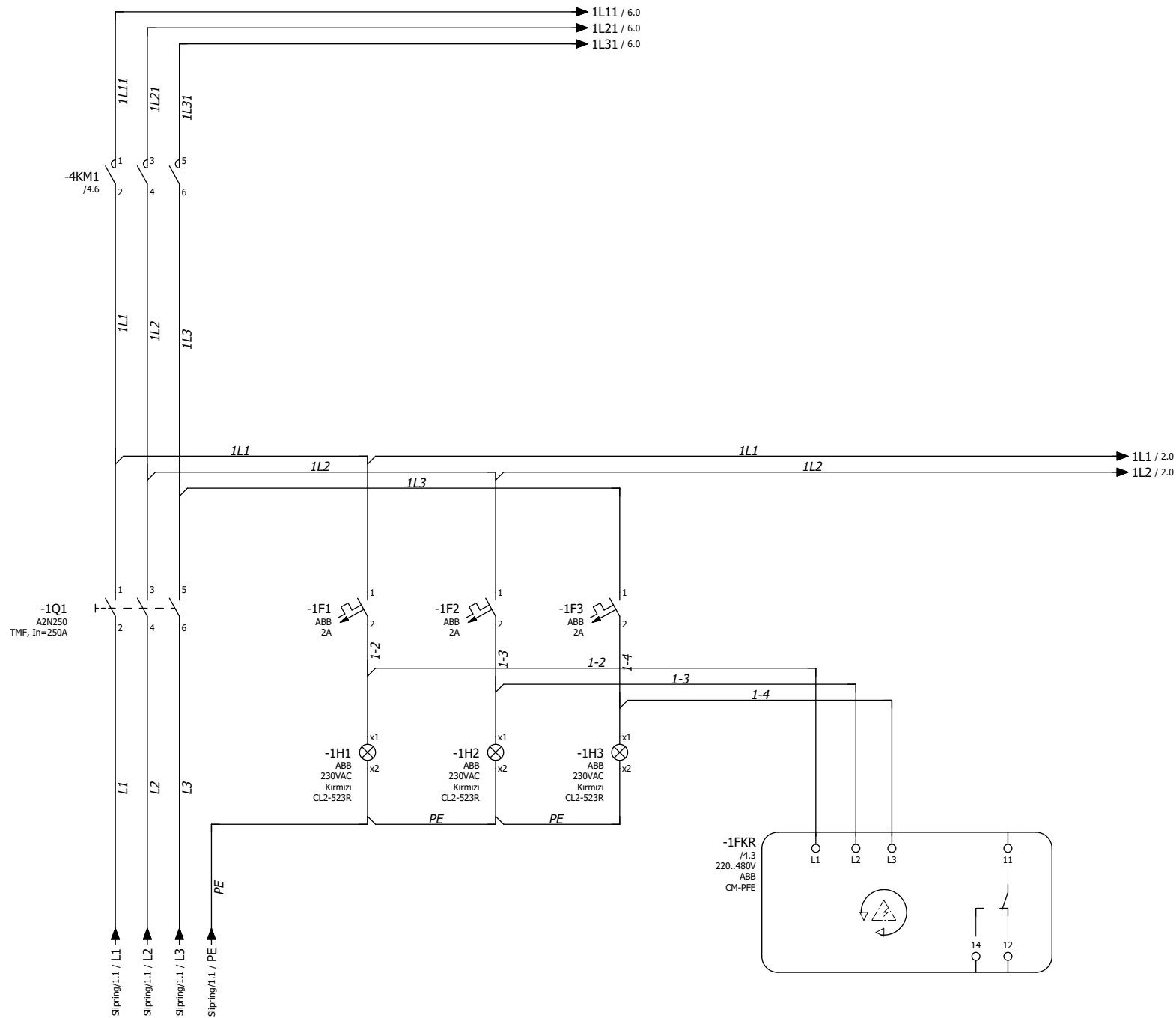






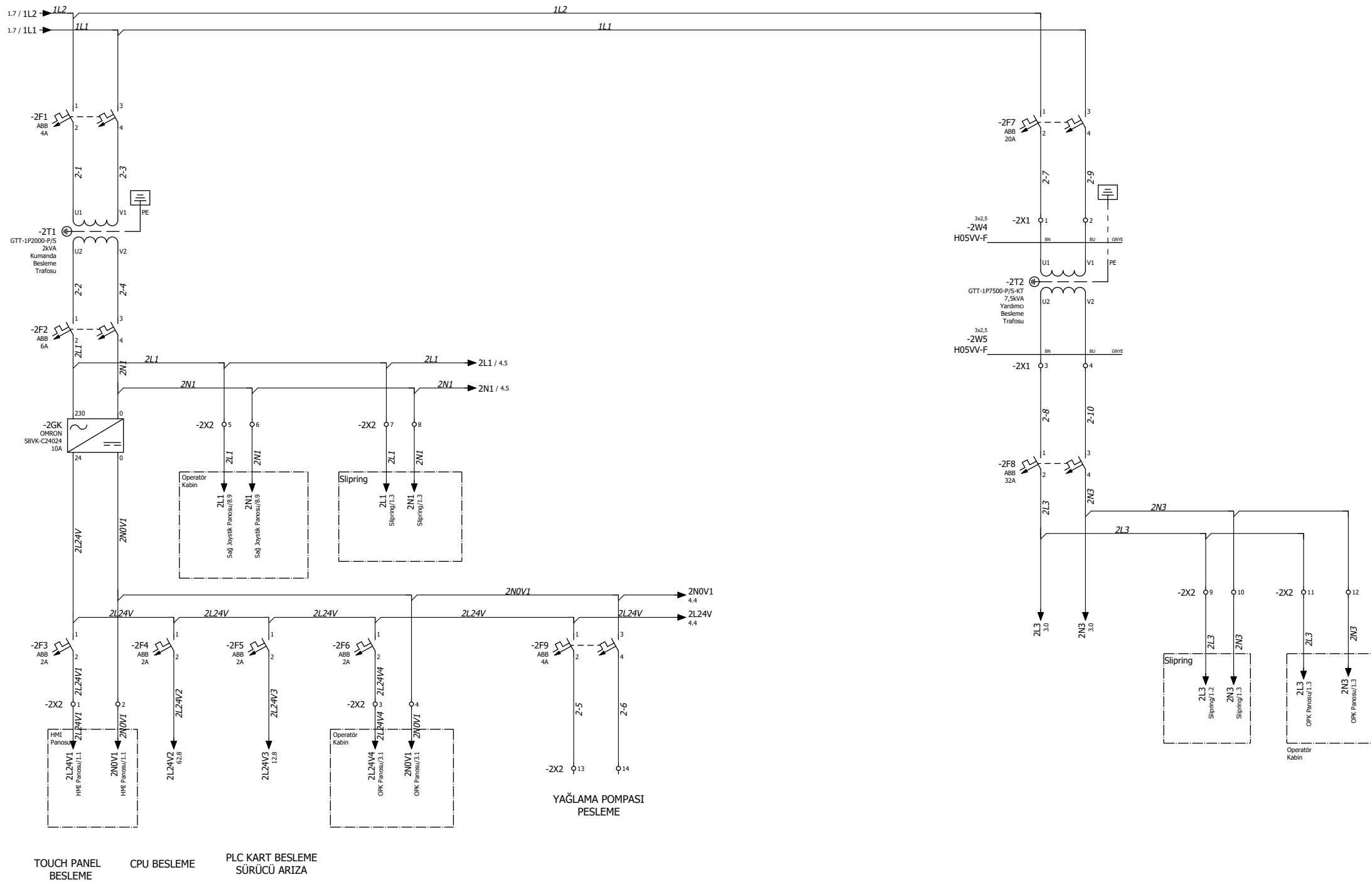
EDITOR	Simge NALBANTOĞLU
DATE	Tek Hat Şeması
CONTROLLER	Barış Demir





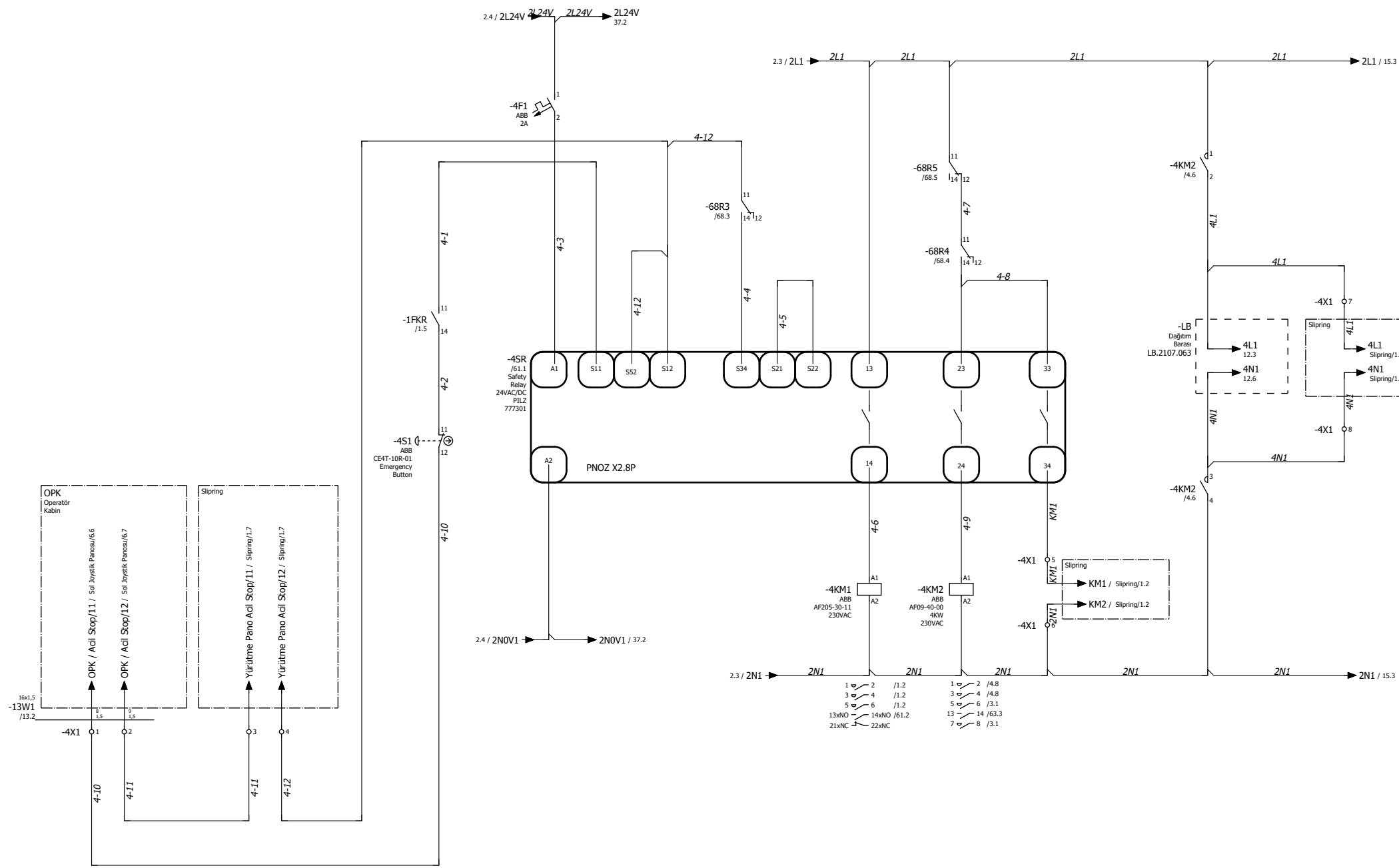
EDITOR	Simge NALBANTOĞLU
DATE	
CONTROLLER	Barış DEMİR





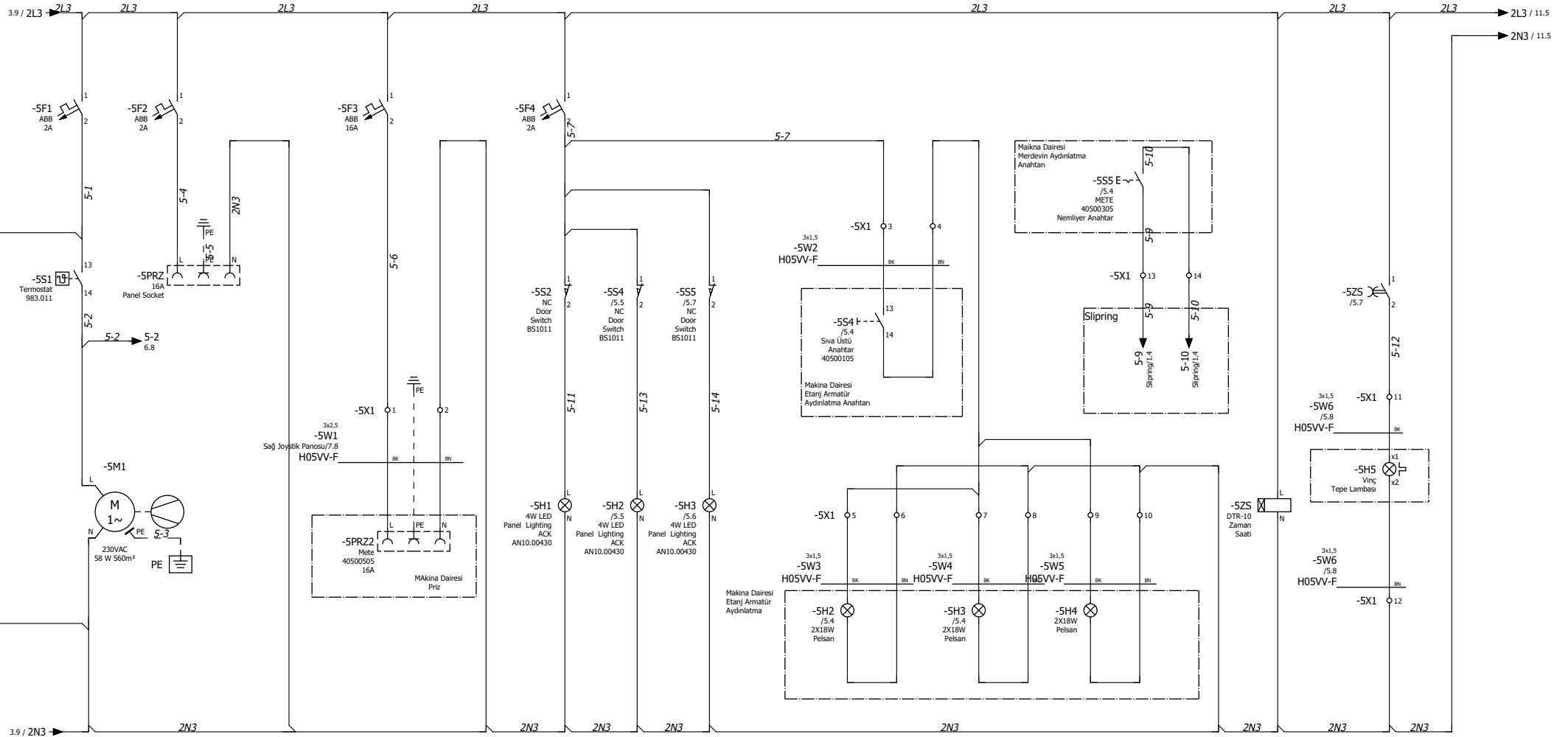
EDITOR	Simge NALBANTOĞLU
DATE	
CONTROLLER	Barış DEMİR





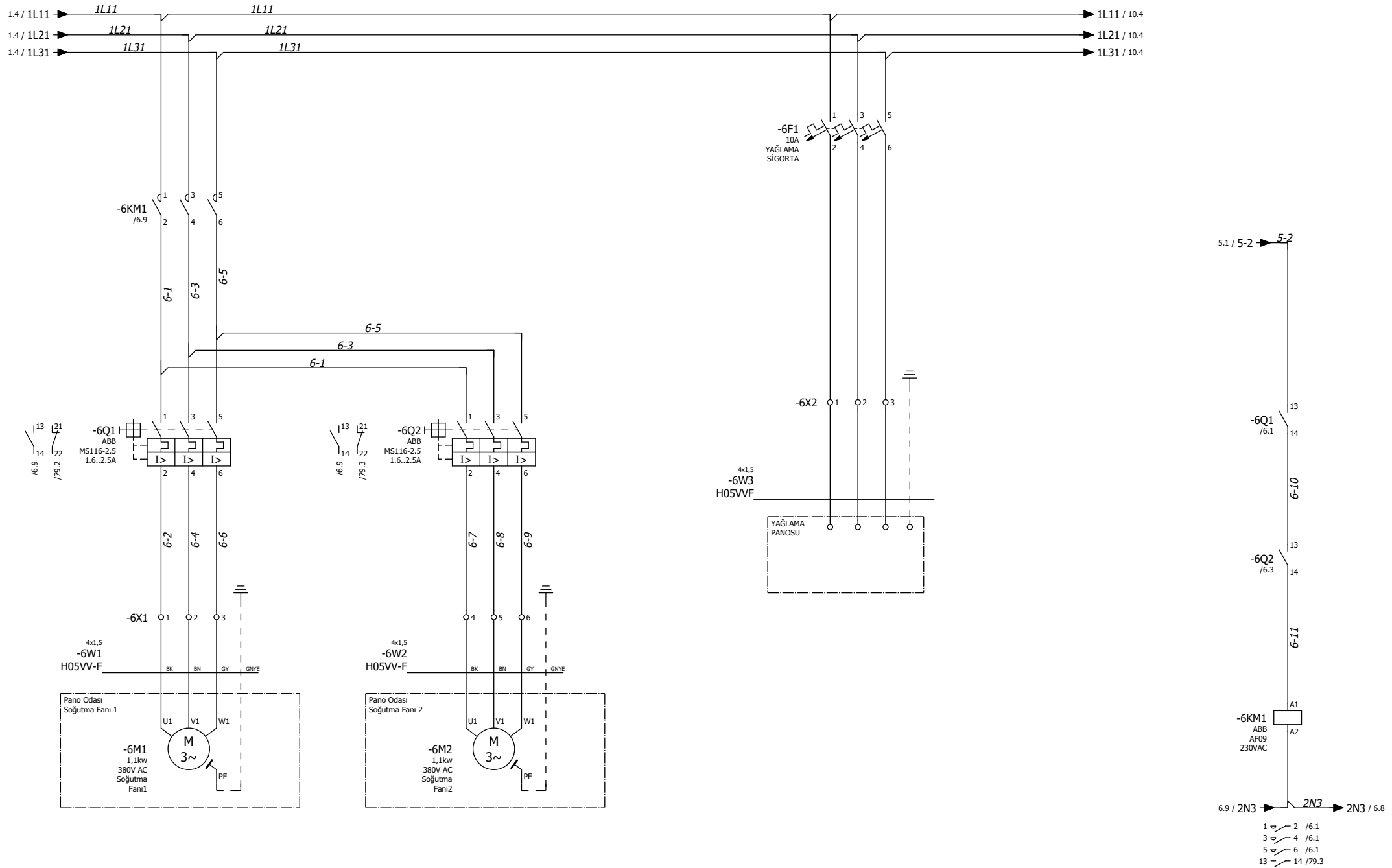
EDITOR	Simge NALBANTOĞLU
DATE	
CONTROLLER	Barış DEMİR



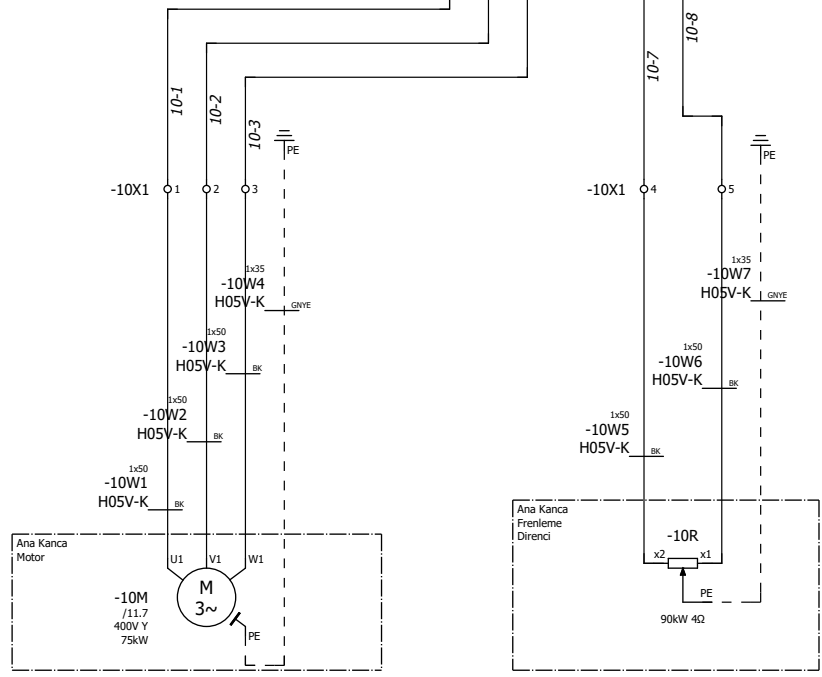
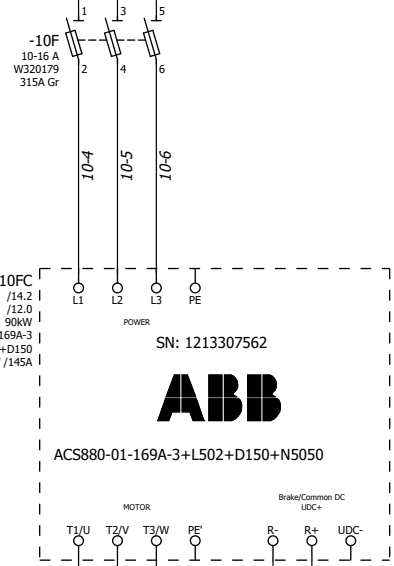


EDITOR	Simge NALBANTOĞLU
DATE	
CONTROLLER	Barış DEMİR



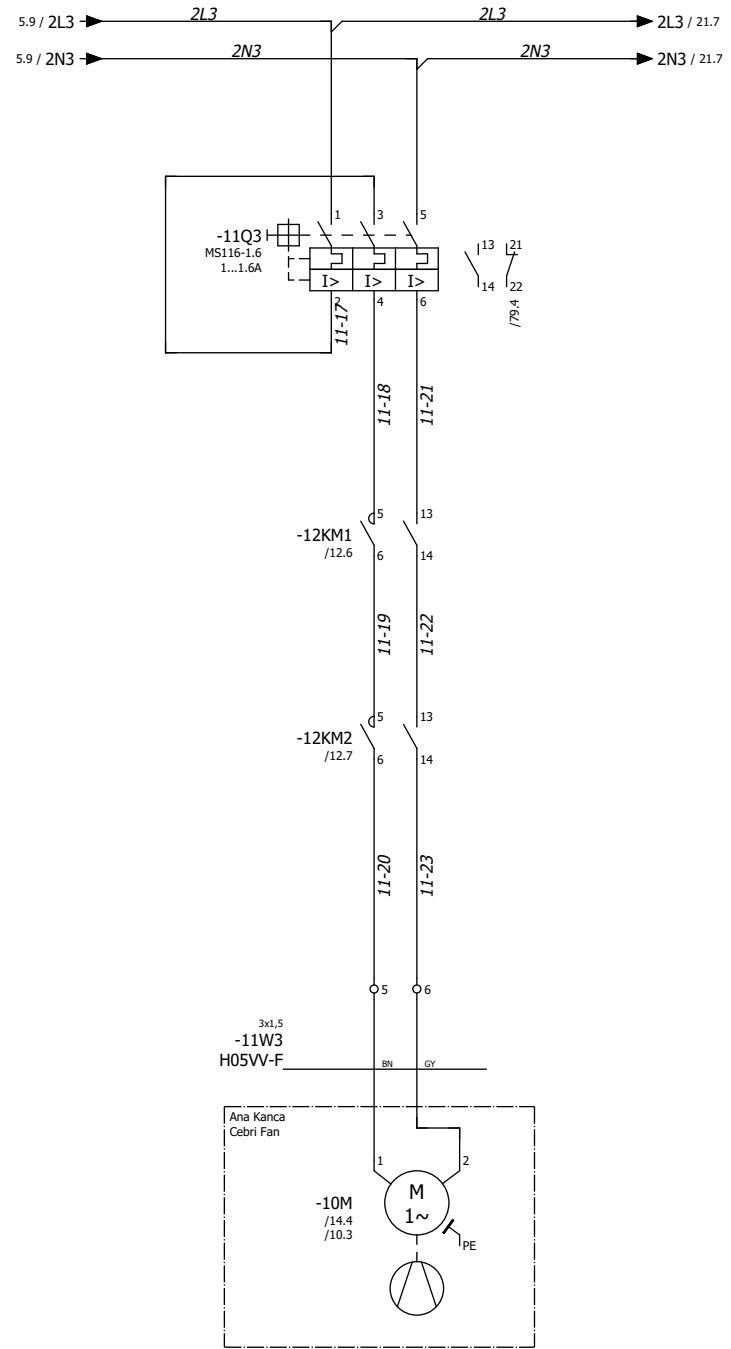
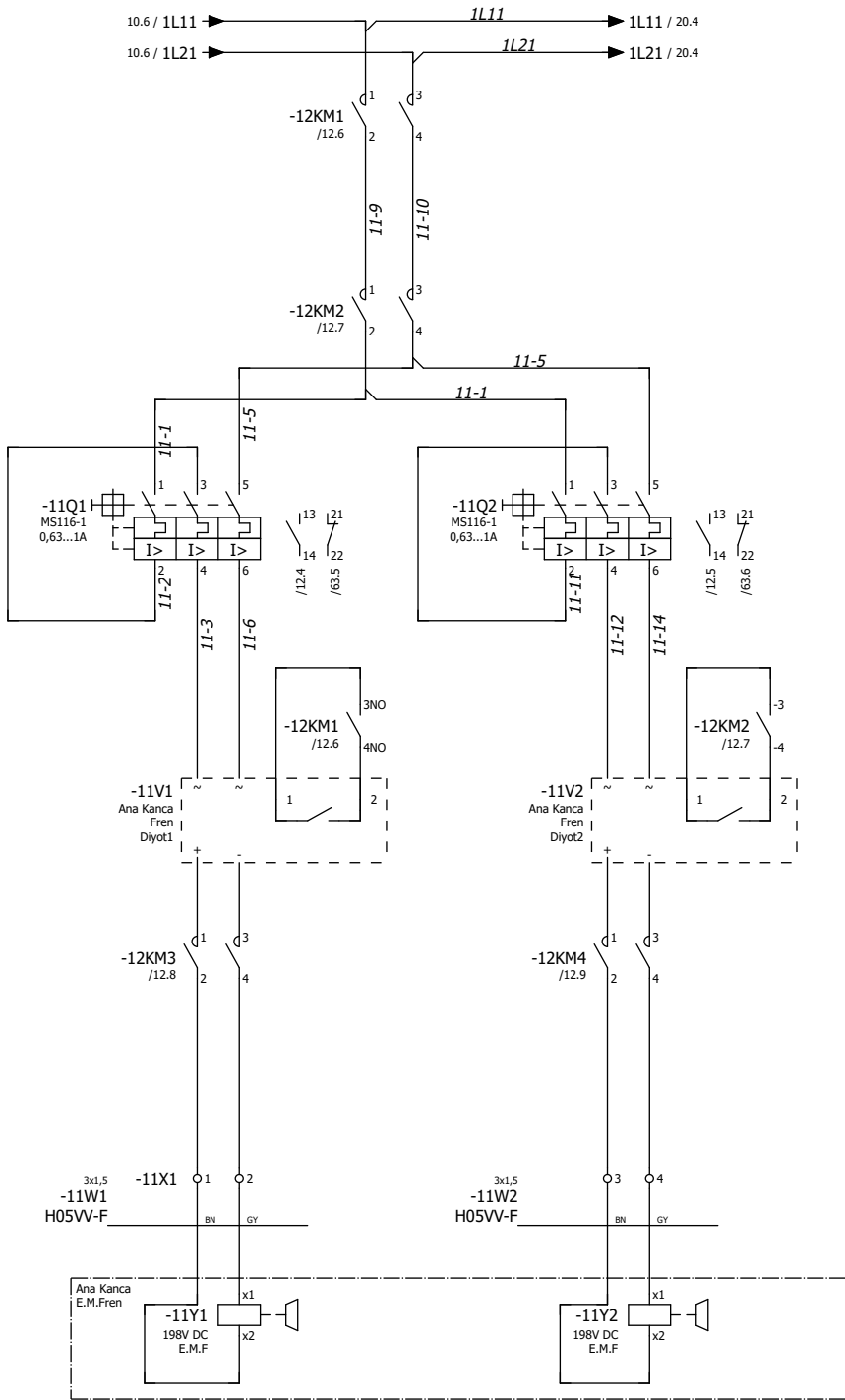


6.7 / 1L11 → 1L11 / 11.2
6.7 / 1L21 → 1L21 / 11.2
6.7 / 1L31 → 1L31 / 20.4



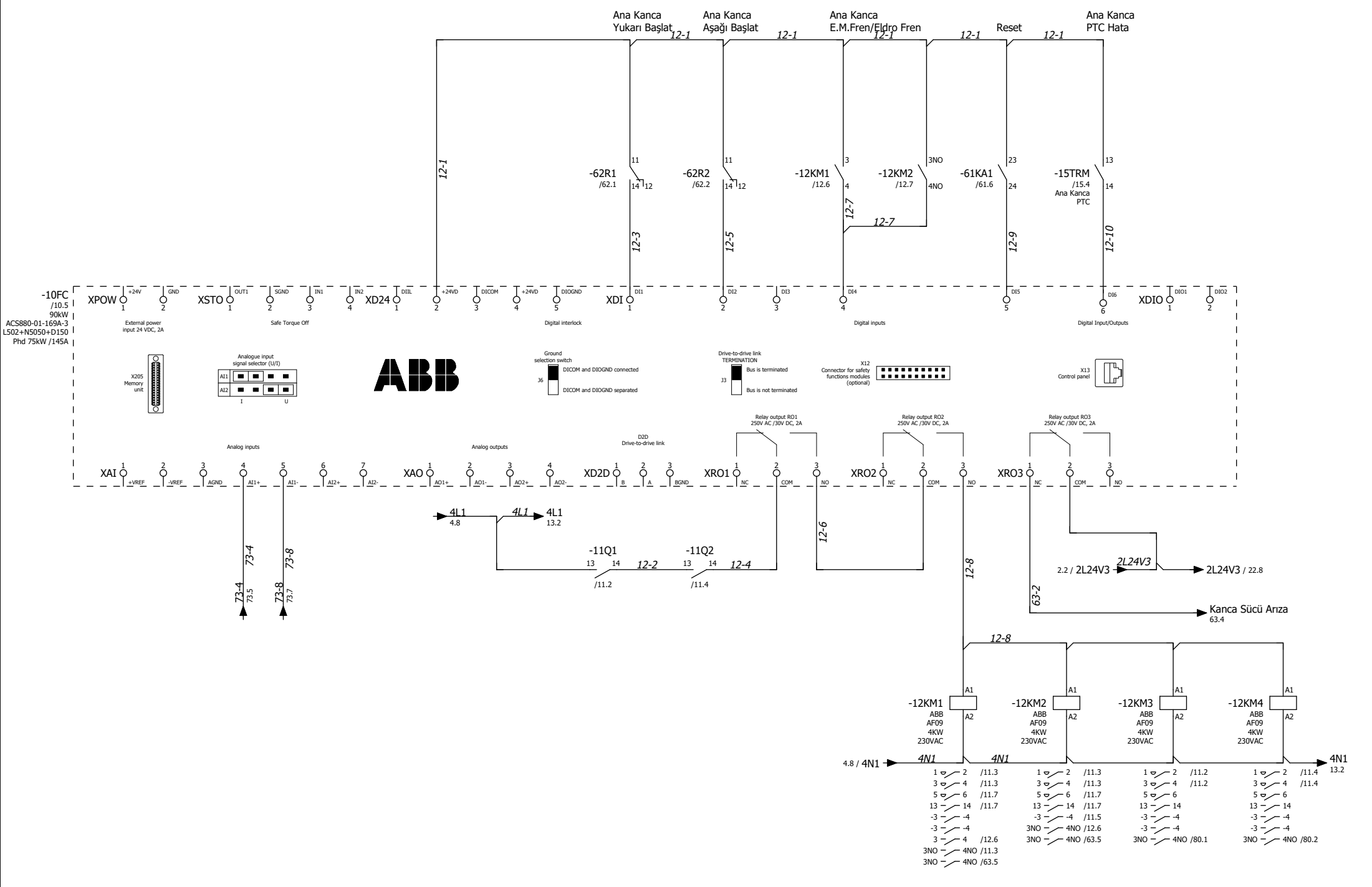
EDITOR	Simge NALBANTOĞLU
DATE	
CONTROLLER	Barış DEMİR





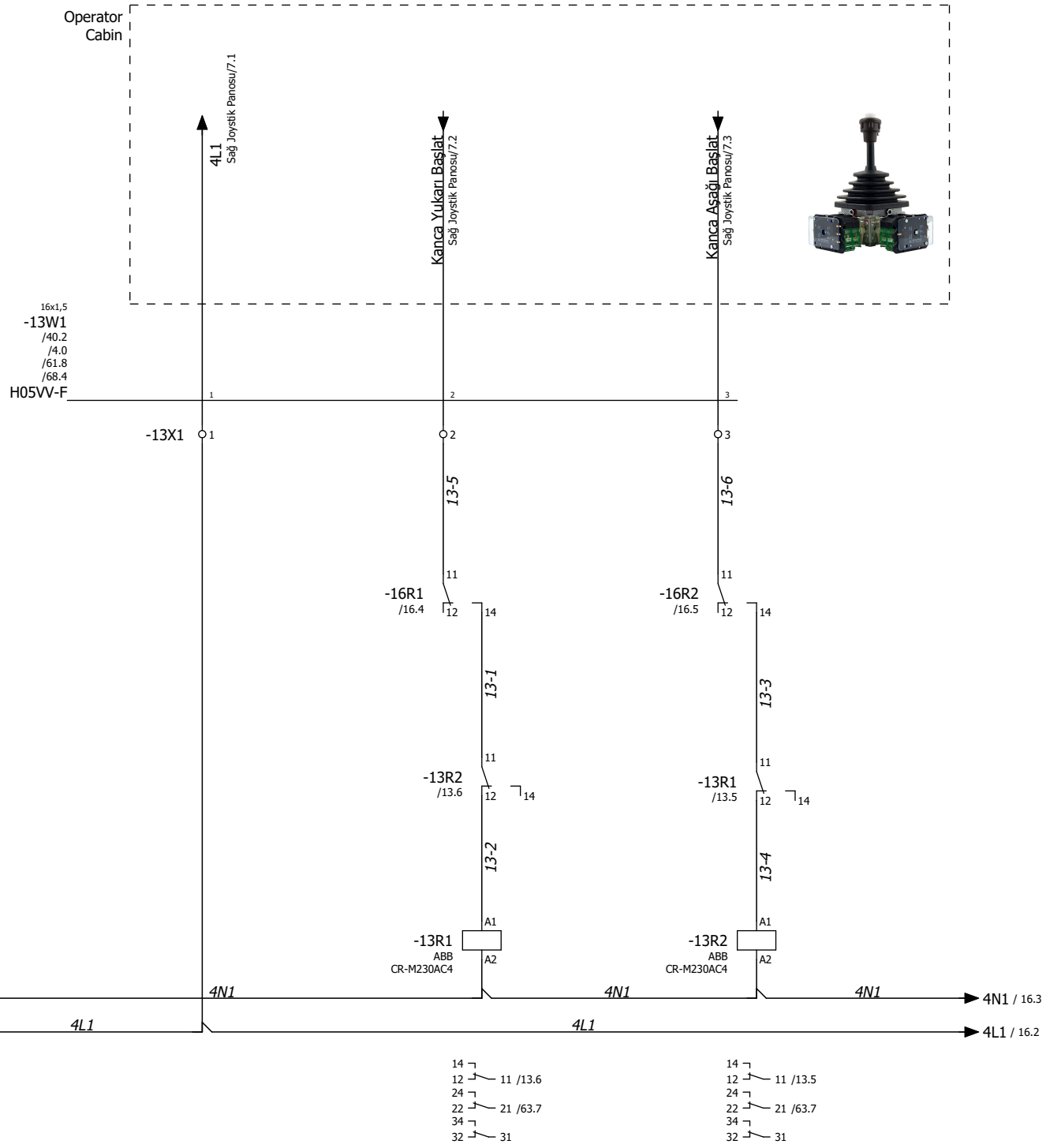
EDITOR	Simge NALBANTOĞLU
DATE	
CONTROLLER	Barış DEMİR





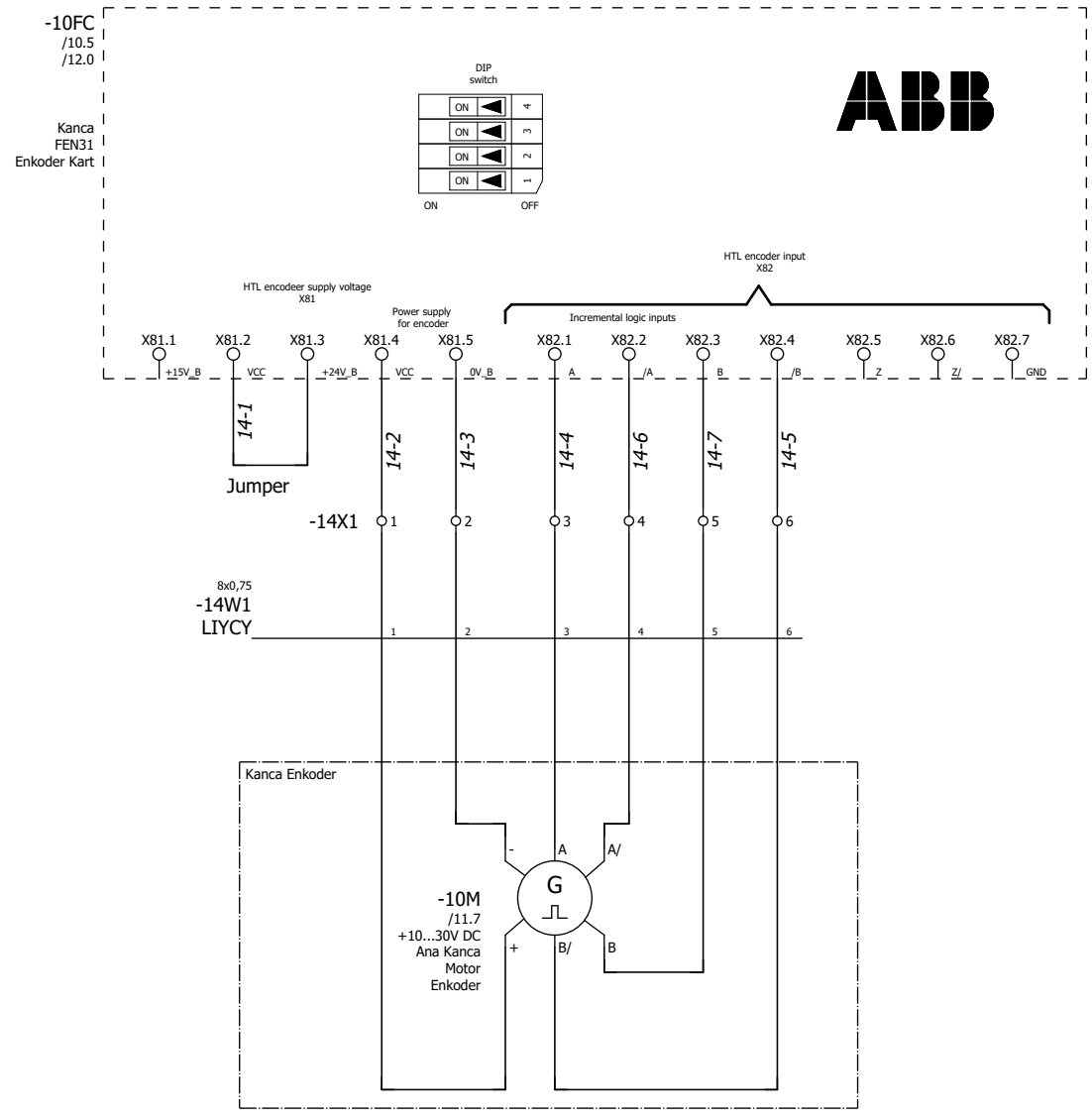
EDITOR	Simge NALBANTOĞLU
DATE	
CONTROLLER	Barış DEMİR

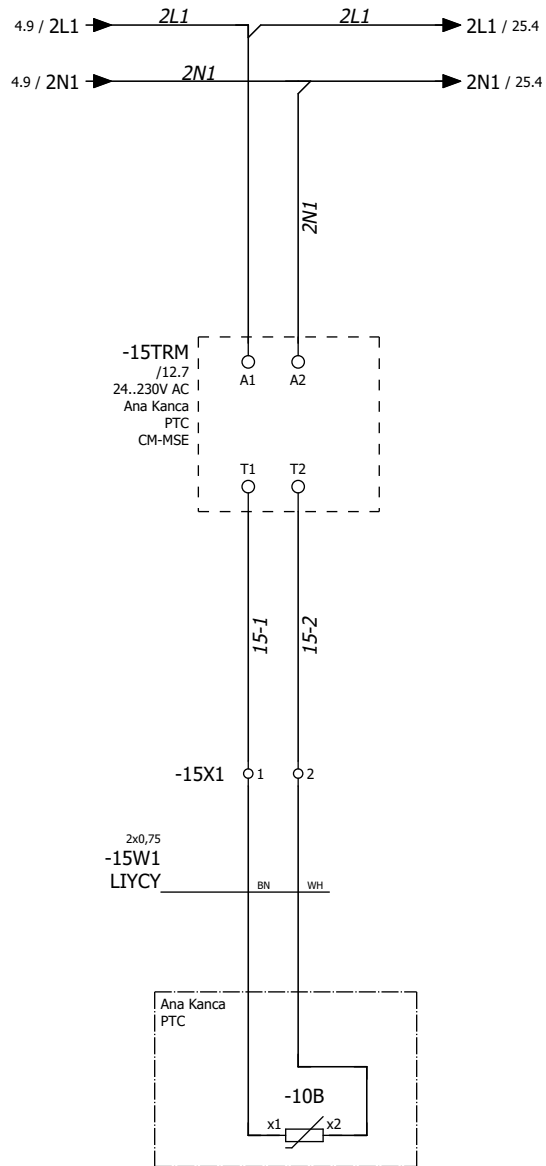


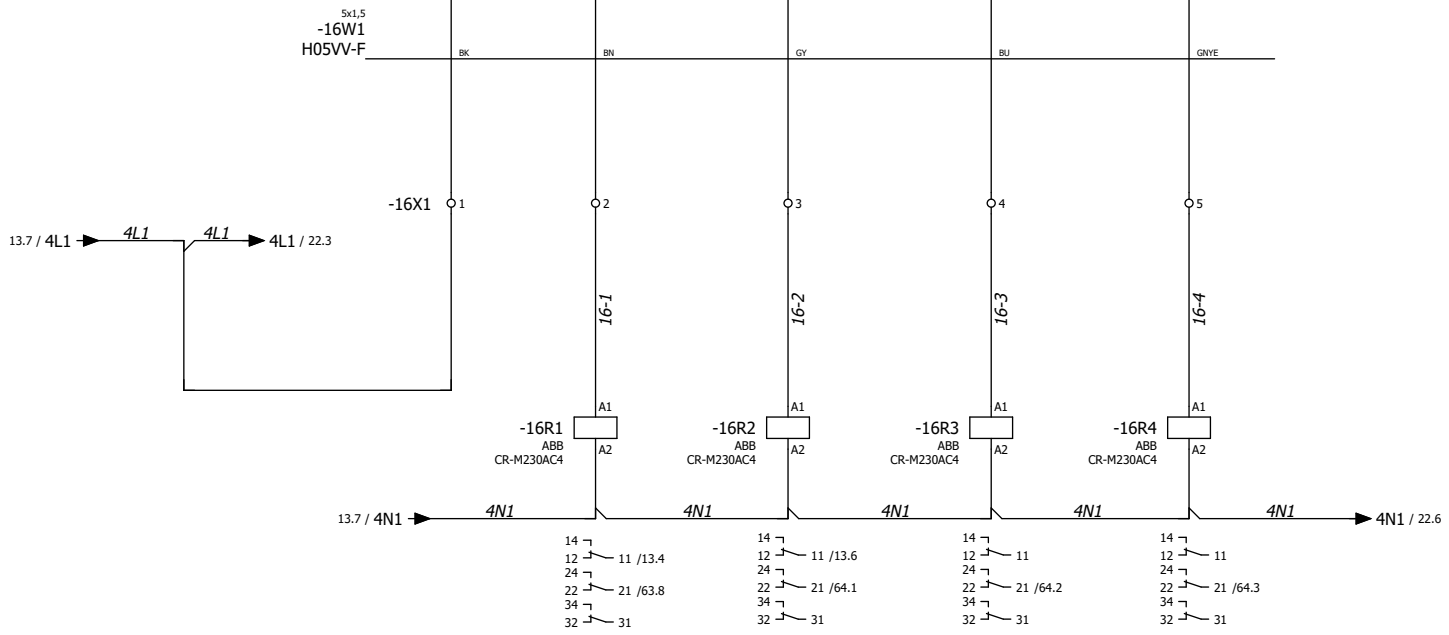
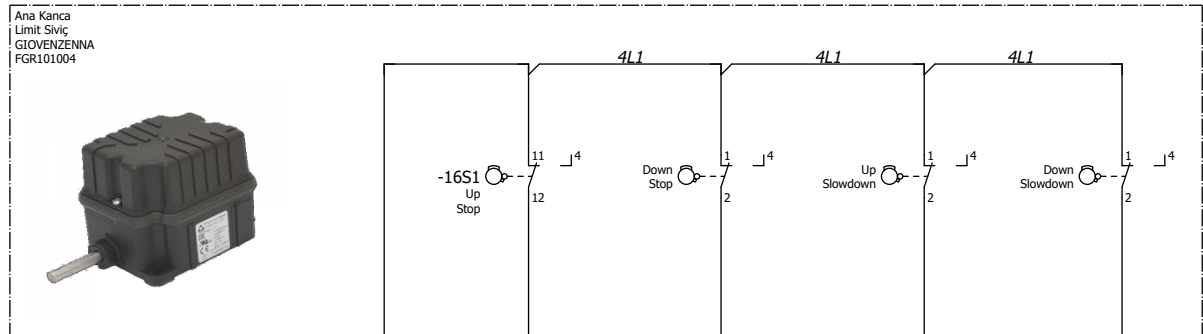


EDITOR	Simge NALBANTOĞLU
DATE	
CONTROLLER	Barış DEMİR







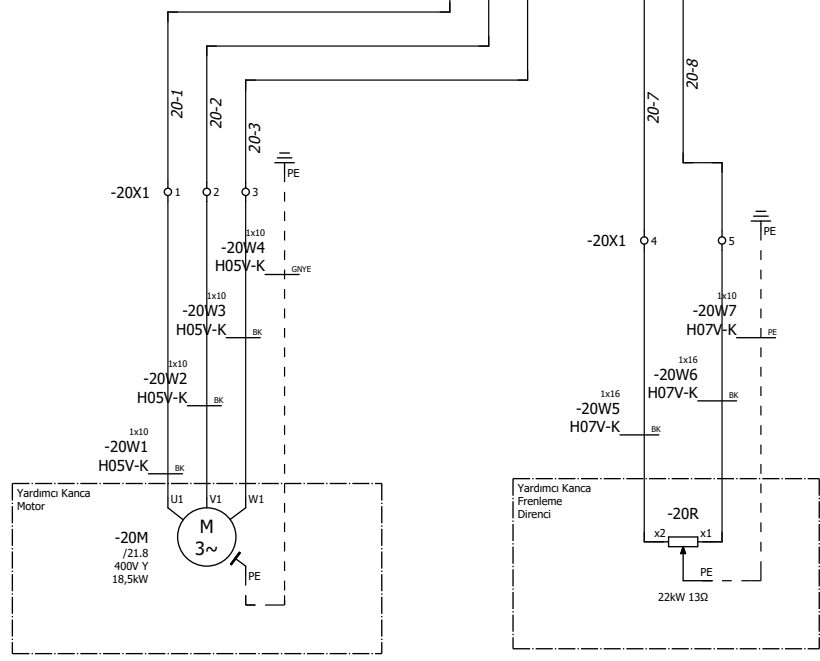
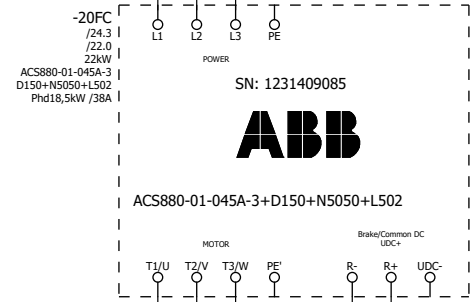
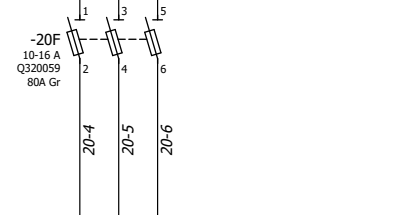


EDITOR	Simge NALBANTOĞLU
DATE	
CONTROLLER	Barış DEMİR



= 00SMC00GH00x
+ SMC00
Page / 16
51

11.4 / 1L11 → 1L11 / 21.3
 11.4 / 1L21 → 1L21 / 21.3
 10.6 / 1L31 → 1L31 / 30.4



EDITOR	Simge NALBANTOĞLU
DATE	
CONTROLLER	Barış DEMİR

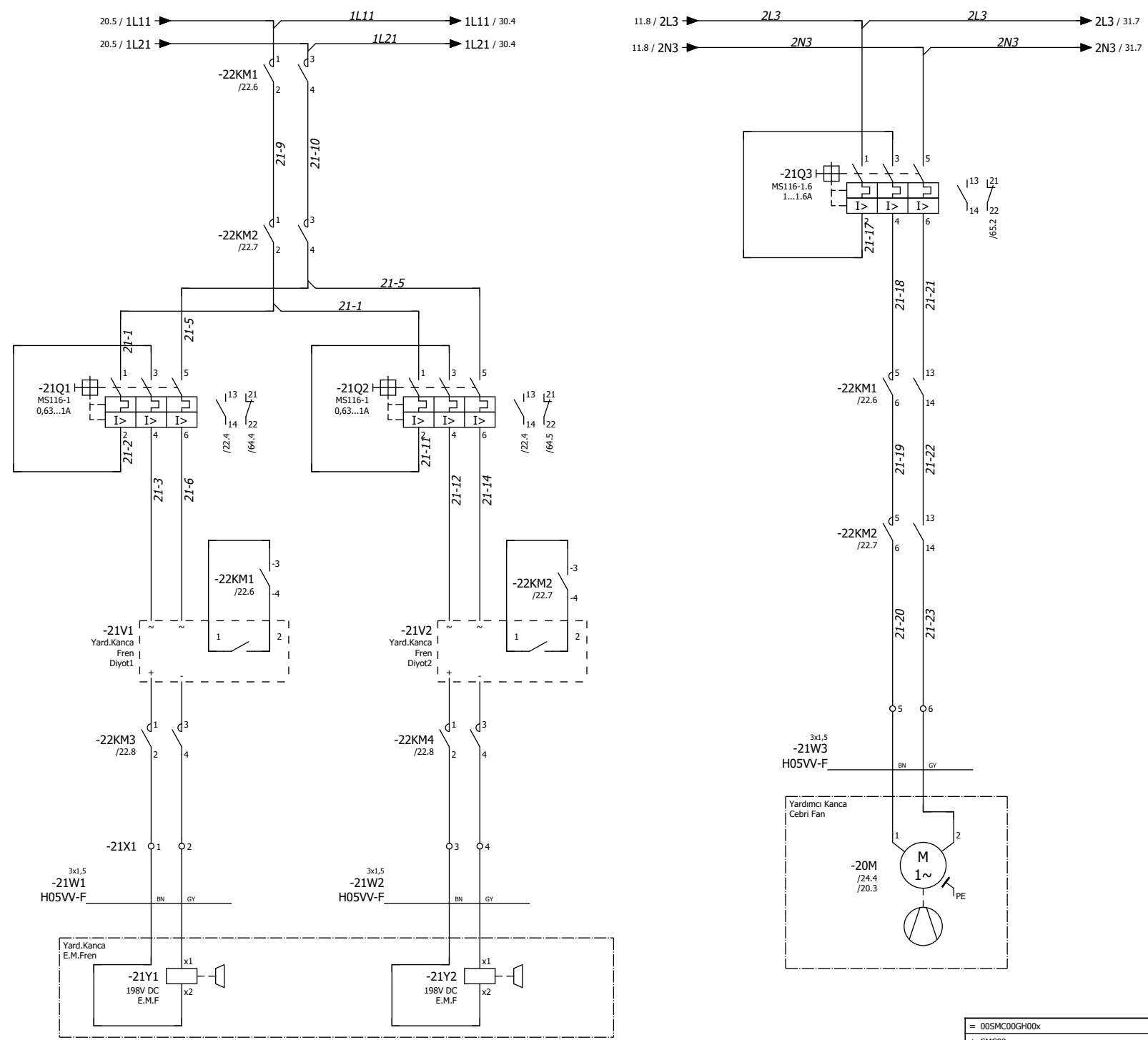


ADS23-295 BEŞİKTAŞ TERSANESİ

Yardımcı Kanca Güç Devresi

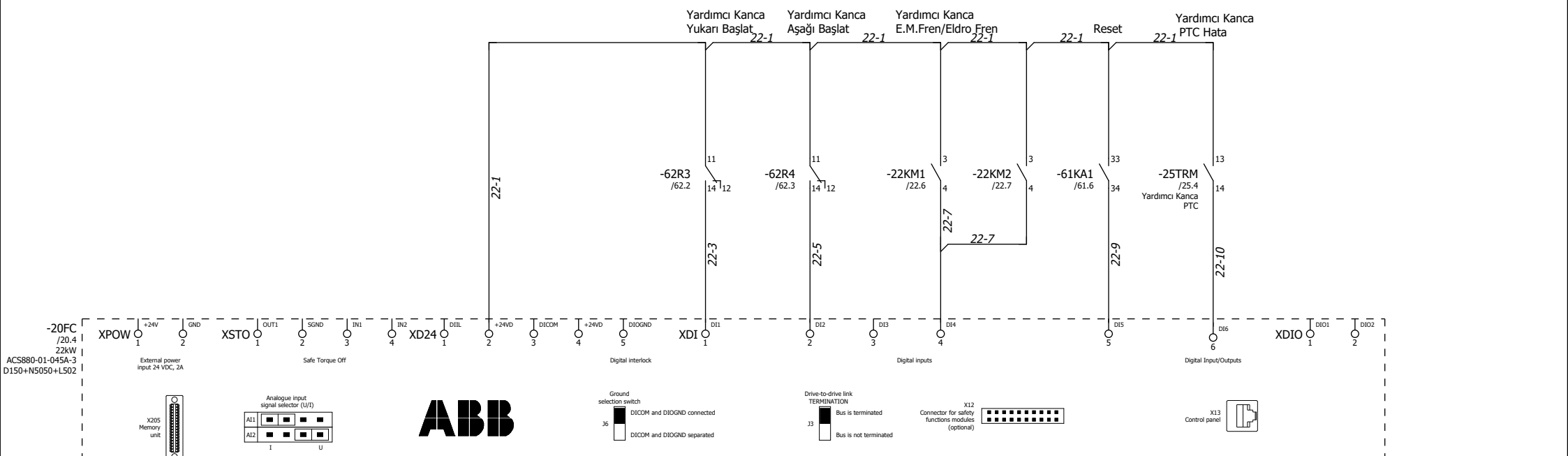
Ana Pano

=	00SMC00GH00x
+	SMC00
	Page / 20
	52

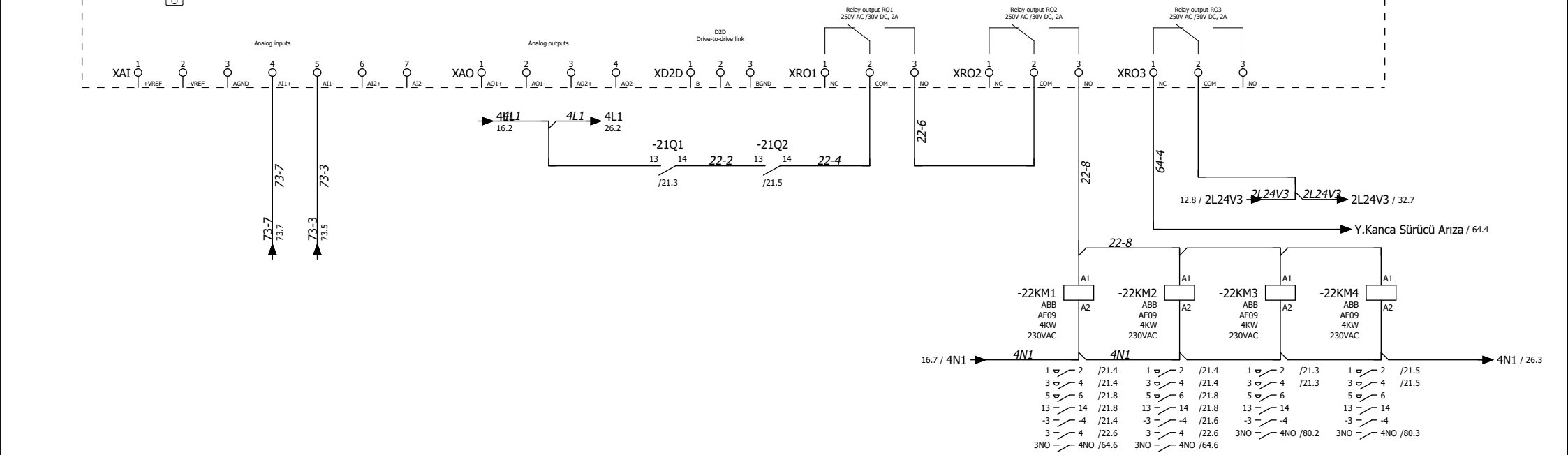
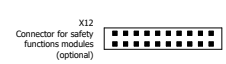
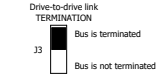
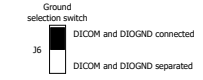
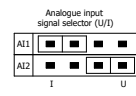
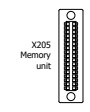


EDITOR	Simge NALBANTOĞLU
DATE	
CONTROLLER	Barış DEMİR





-20FC
/20.4
22kW
ACS880-01-045A-3
D150+N5050+L502



EDITOR	Simge NALBANTOĞLU
DATE	
CONTROLLER	Barış DEMİR



ADS23-295 BEŞİKTAŞ TERSANESİ

Yardımcı Kanca Kontrol Devresi

Ana Pano

= 00SMC00GH00x
+ SMC00
Page / 22
54

EDITOR	Simge NALBANTOĞLU
DATE	
CONTROLLER	Barış DEMİR

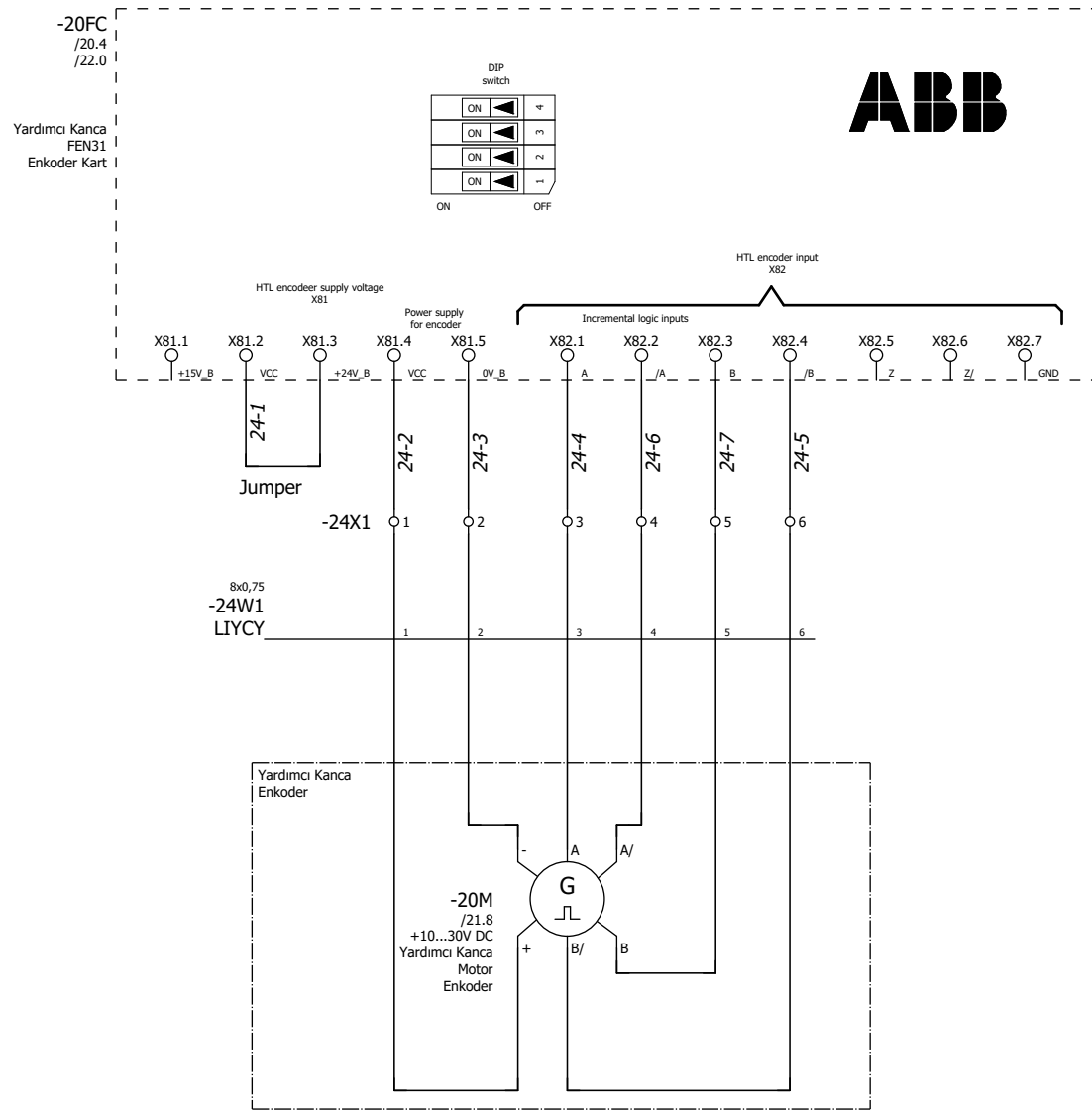


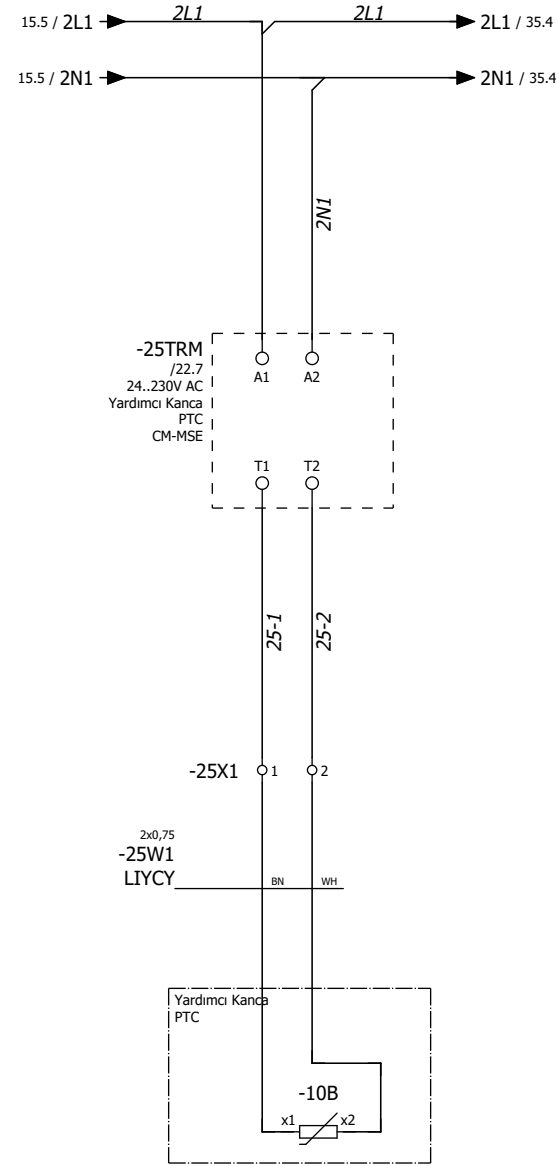
ADS23-295 BEŞİKTAŞ TERSANESİ

Yedek

Ana Pano

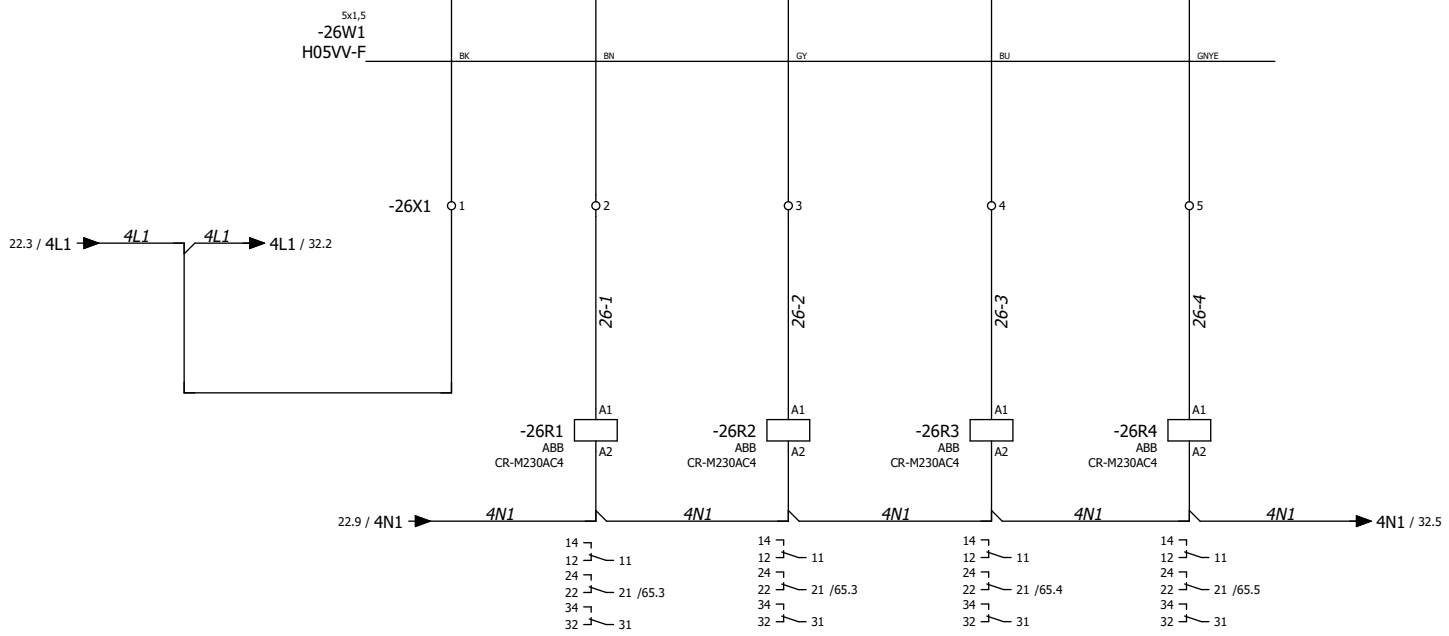
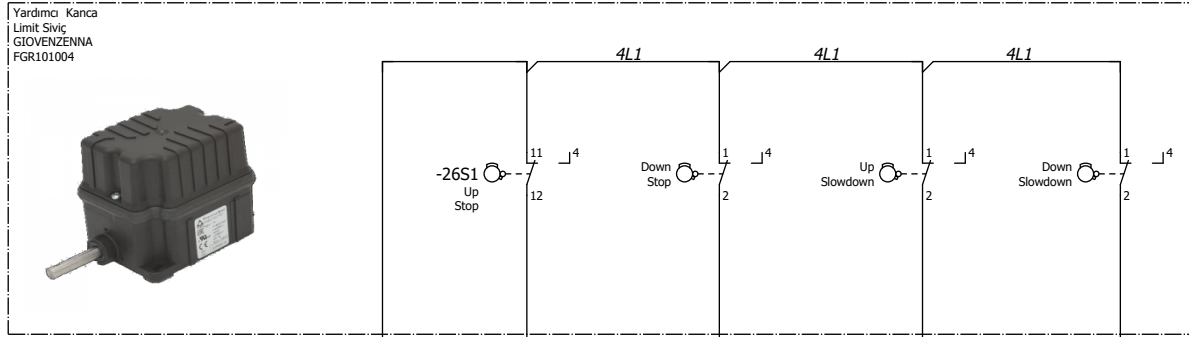
= 00SMC00GH00x
+ SMC00
Page / 23
55





EDITOR	Simge NALBANTOĞLU
DATE	
CONTROLLER	Barış DEMİR

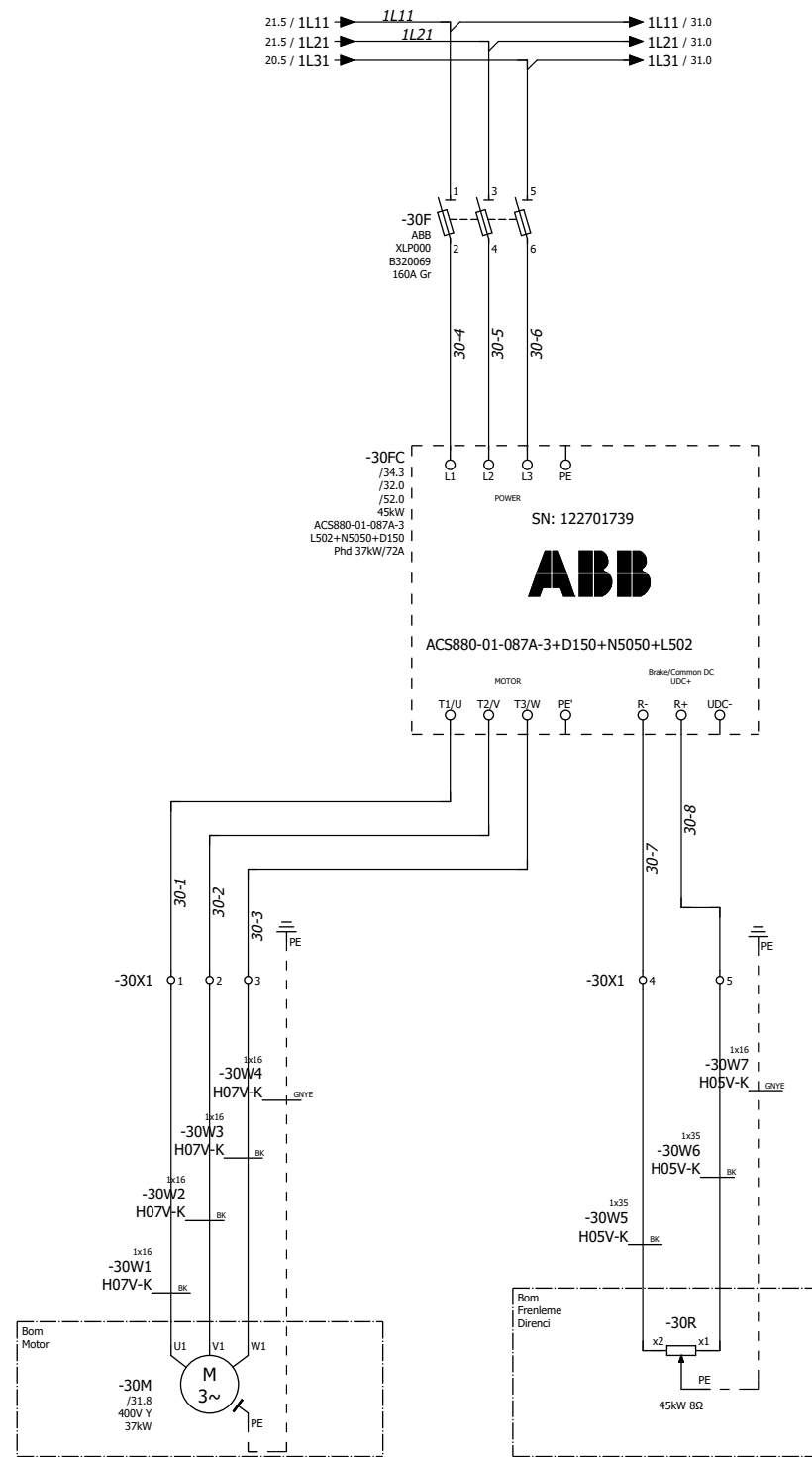




EDITOR	Simge NALBANTOĞLU
DATE	
CONTROLLER	Barış DEMİR



= 00SMC00GH00x
+ SMC00
Page / 26
58



EDITOR	Simge NALBANTOĞLU
DATE	
CONTROLLER	Barış DEMİR

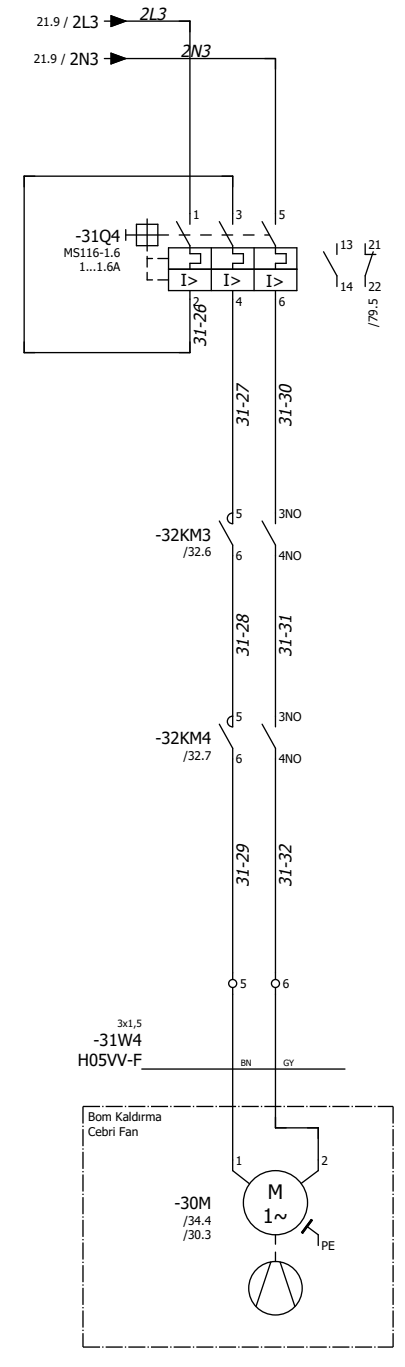
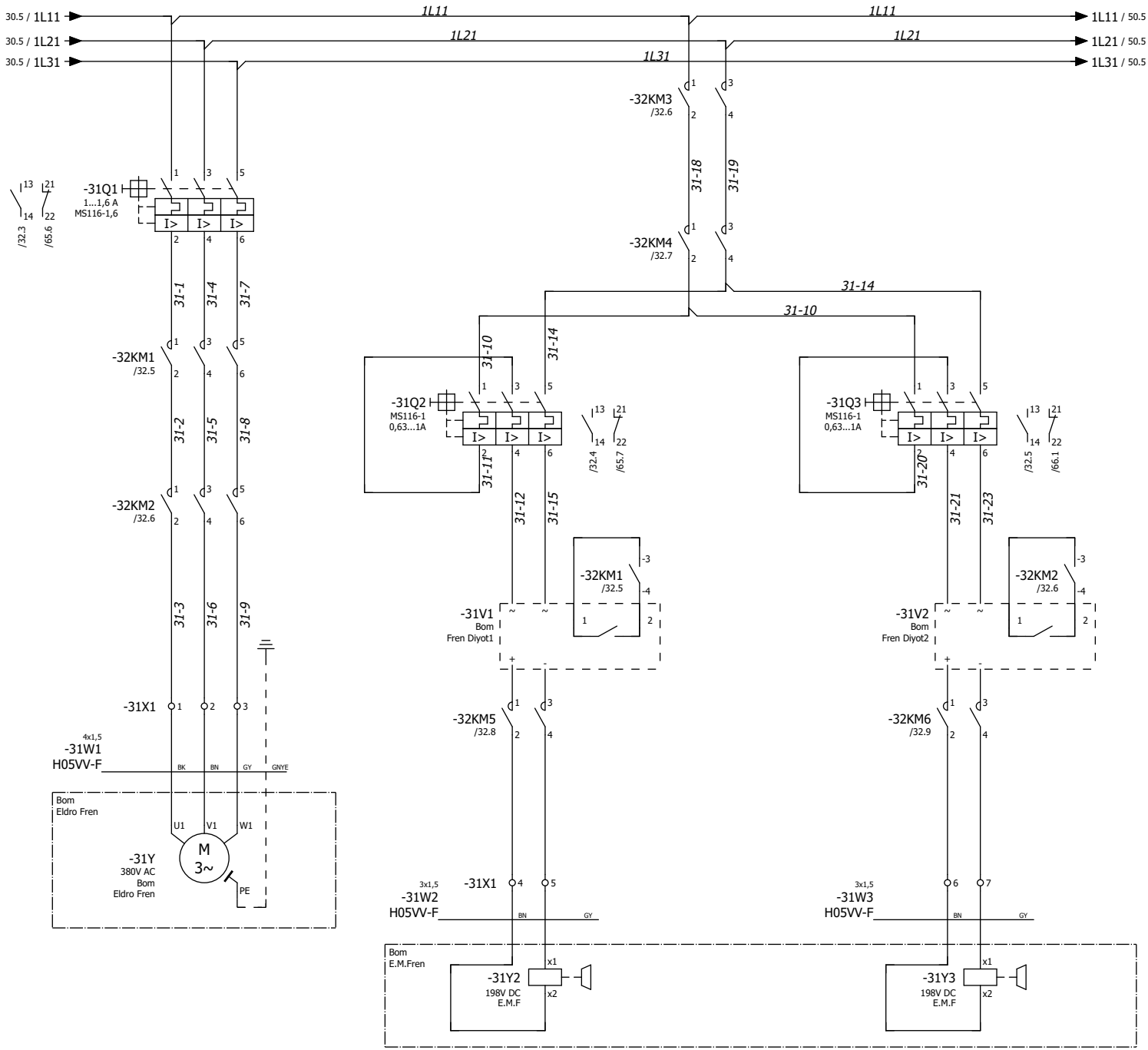


ADS23-295 BEŞİKTAŞ TERSANESİ

Bom Güç Devresi

Ana Pano

= 00SMC00GH00x
+ SMCO0
Page / 30
59



EDITOR	Simge NALBANTOĞLU
DATE	
CONTROLLER	Barış DEMİR

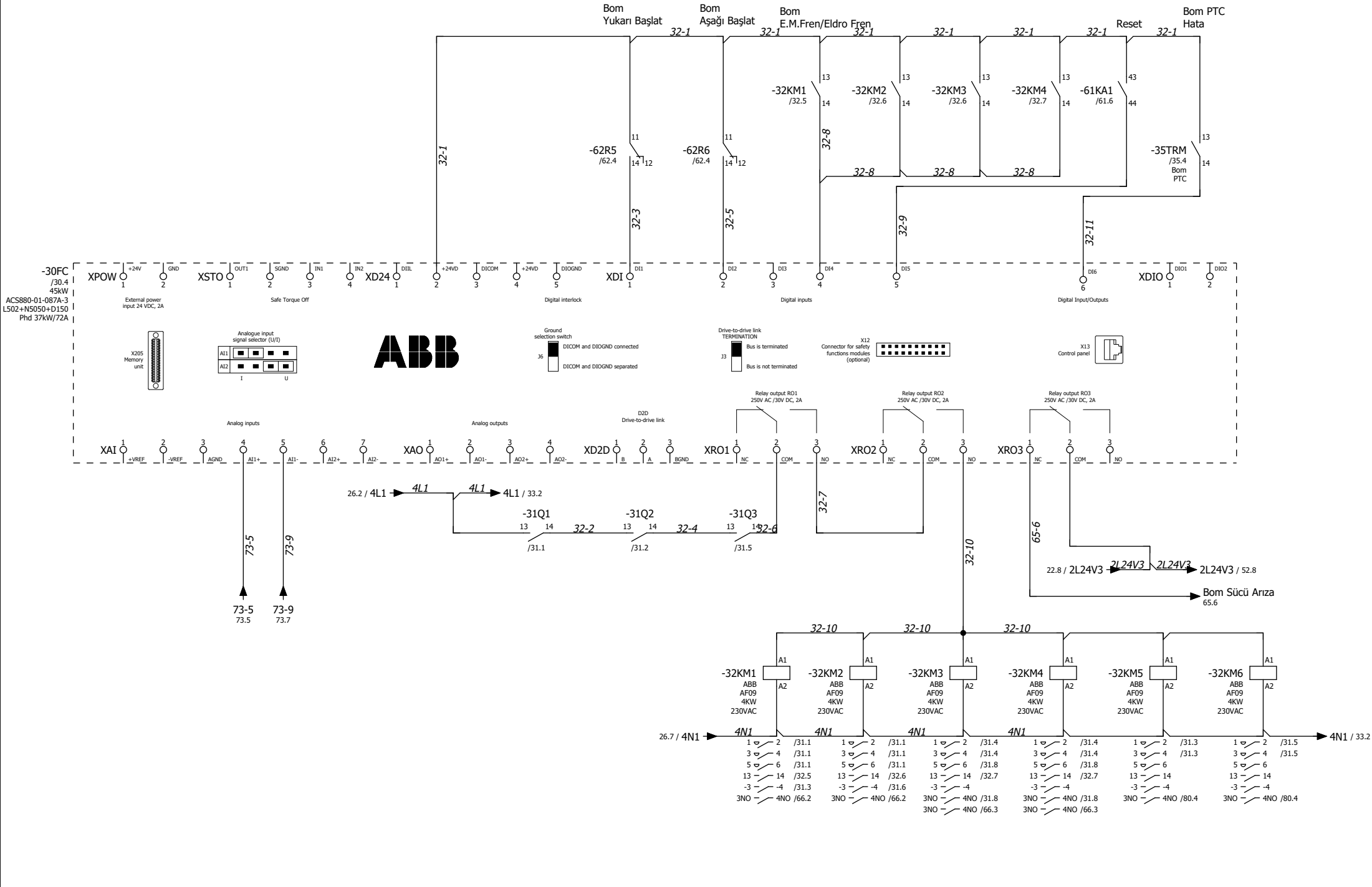


ADS23-295 BEŞİKTAŞ TERSANESİ

Bom Eldro Fren/E.M.Fren Devresi

Ana Pano

= 00SMC00GH00x
+ SMC00
Page / 31
60



EDITOR	Simge NALBANTOĞLU
DATE	
CONTROLLER	Barış DEMİR

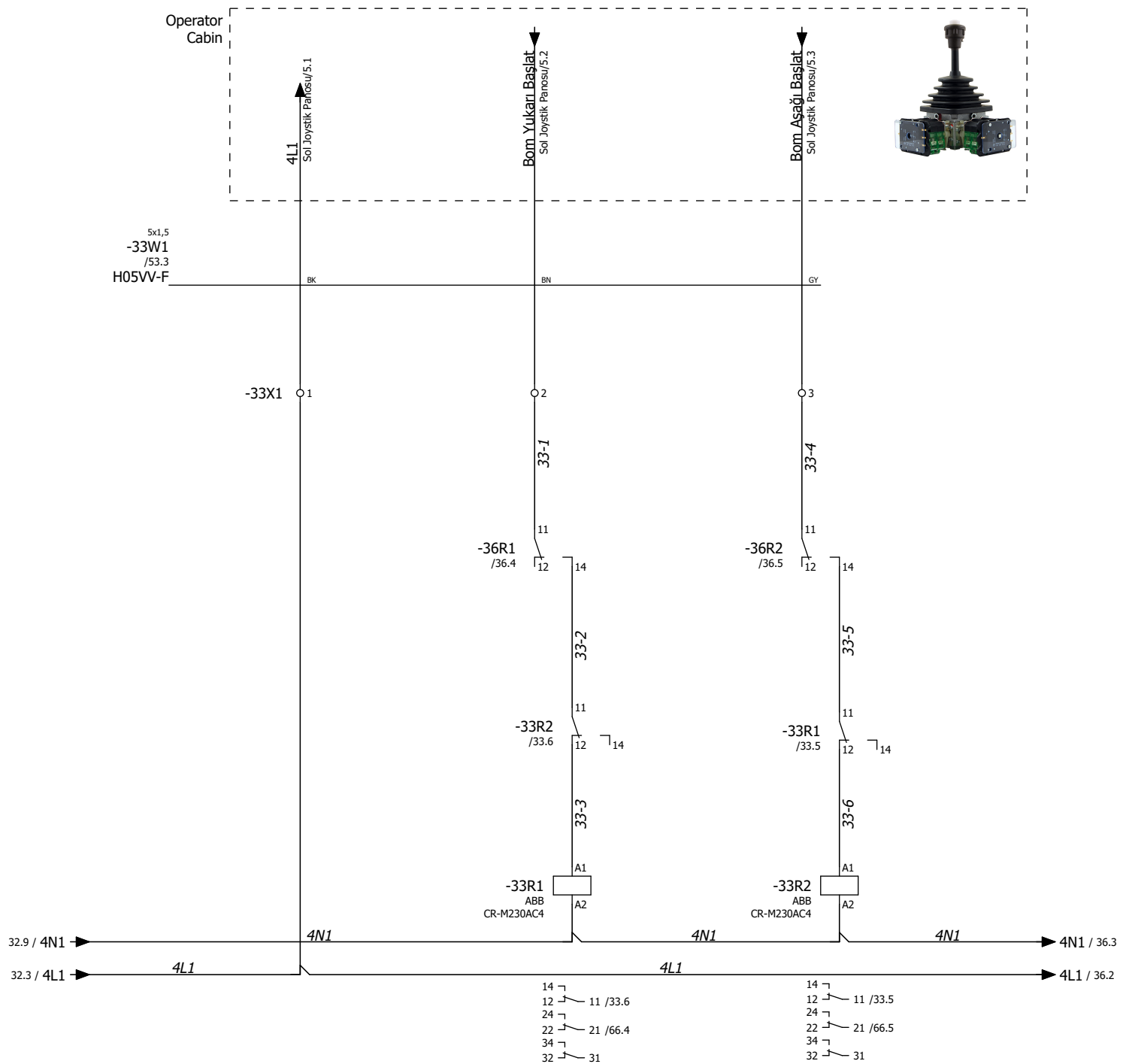


ADS23-295 BEŞİKTAŞ TERSANESİ

Bom Kontrol Devresi

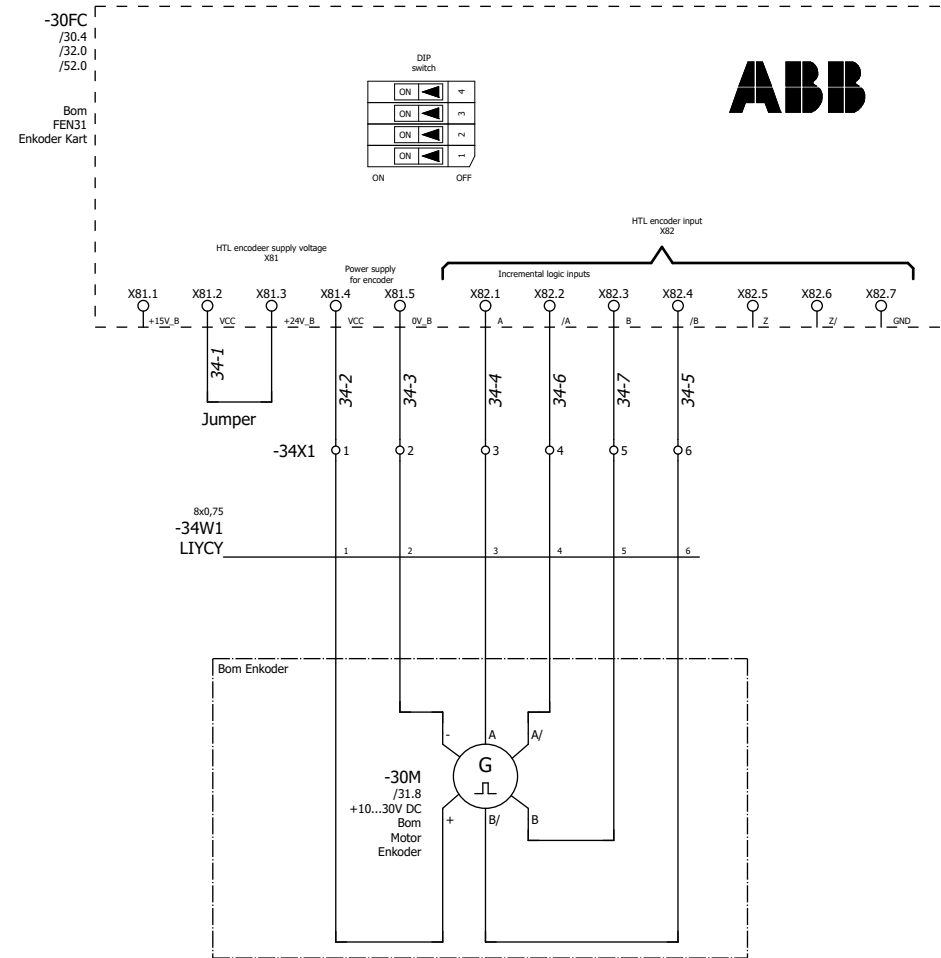
Ana Pano

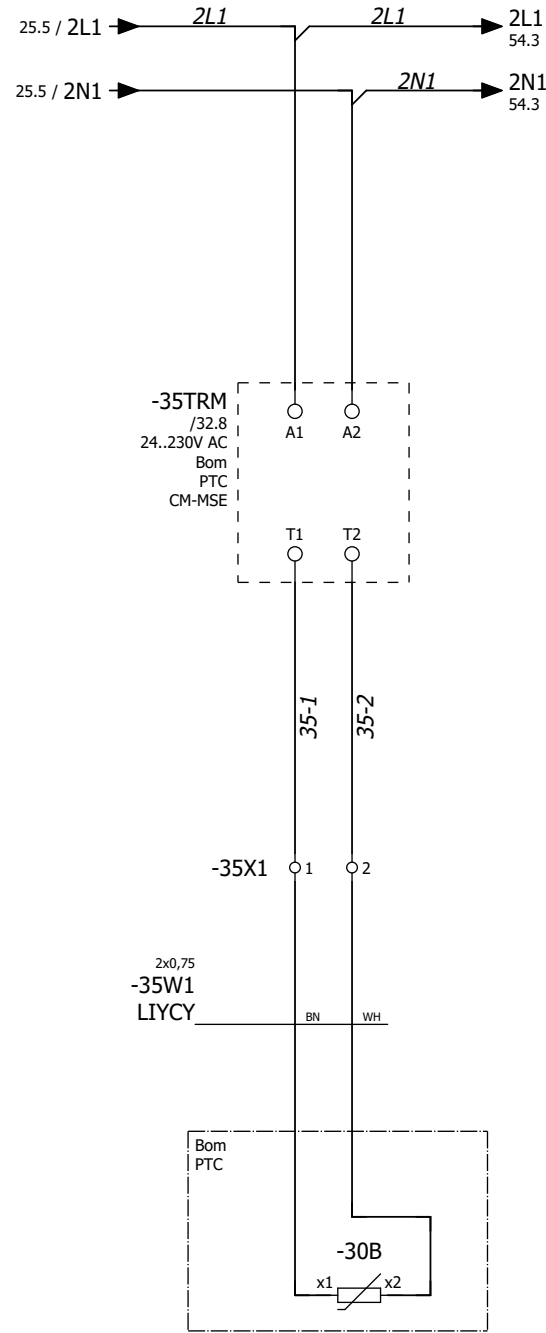
= 00SMC00GH00x
+ SMC00
Page / 32
61



EDITOR	Simge NALBANTOĞLU
DATE	
CONTROLLER	Barış DEMİR

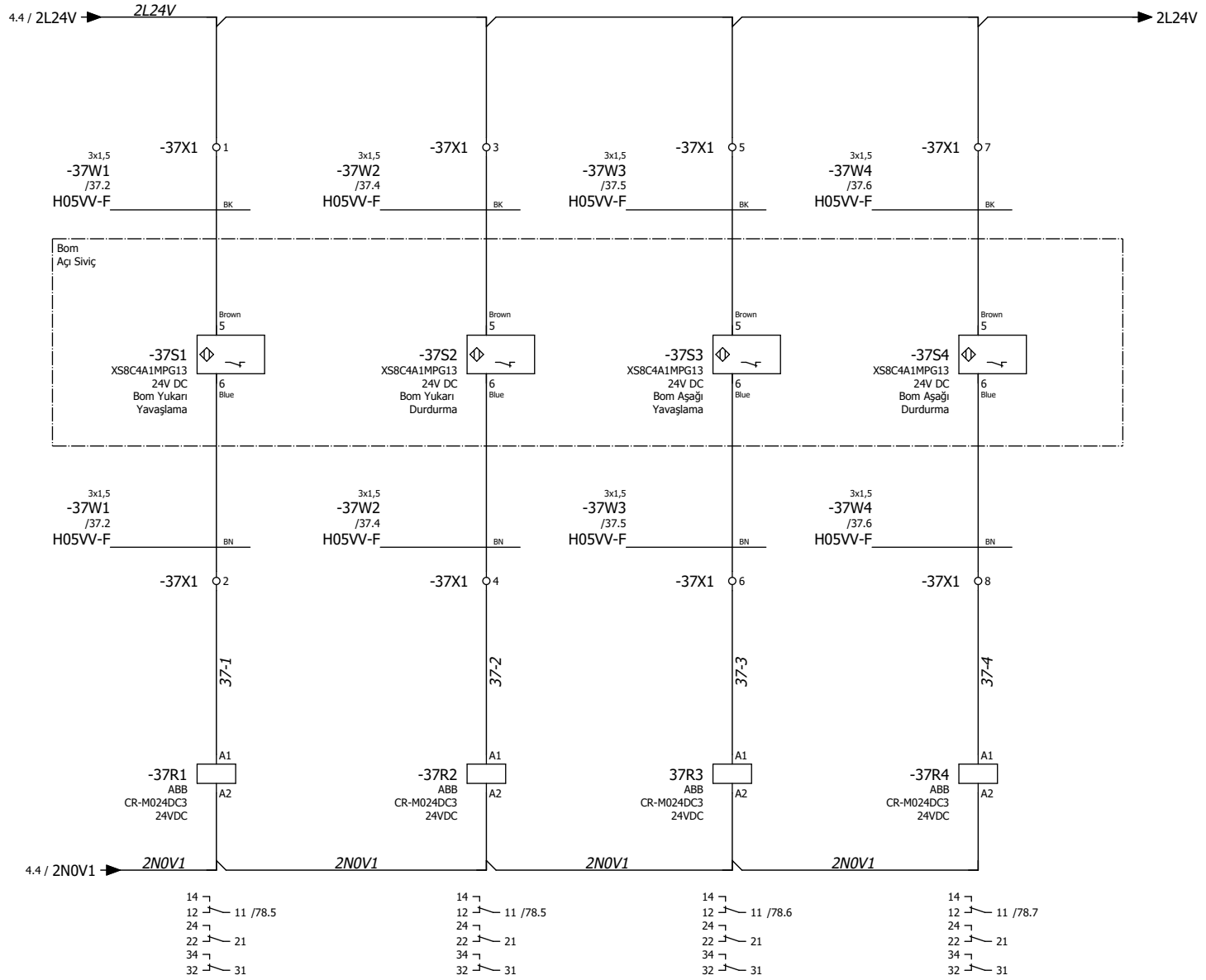






EDITOR	Simge NALBANTOĞLU
DATE	
CONTROLLER	Barış DEMİR





EDITOR	Simge NALBANTOĞLU
DATE	
CONTROLLER	Barış DEMİR



ADS23-295 BEŞİKTAŞ TERSANESİ

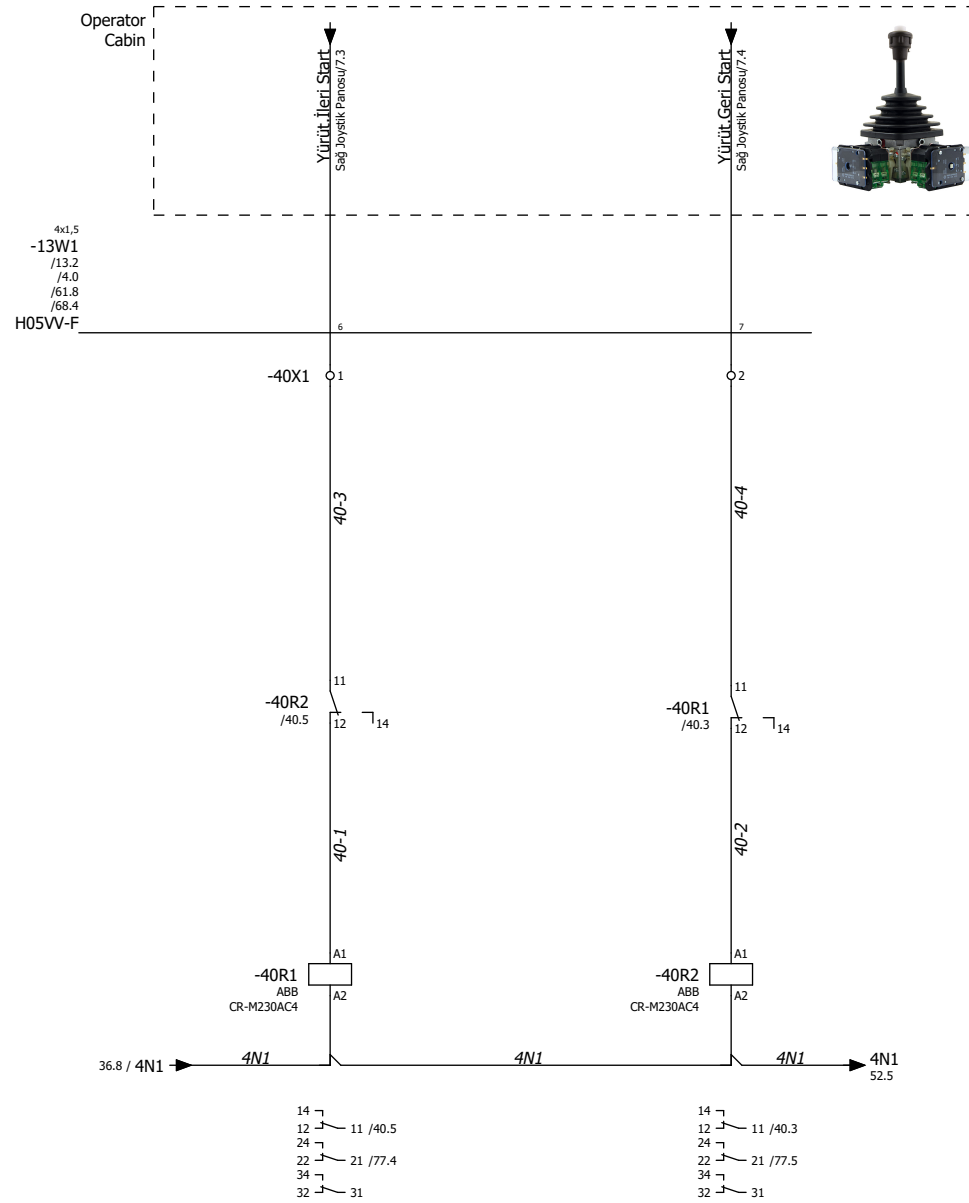
Acil Fren Sistemi

Ana Pano

= 00SMC00GH00x
+ SMC00
Page / 38
67

EDITOR	Simge NALBANTOĞLU
DATE	
CONTROLLER	Barış DEMİR





EDITOR	Simge NALBANTOĞLU
DATE	
CONTROLLER	Barış DEMİR



= 00SMC00GH00x
+ SMC00
Page / 40
69

31.6 / 1L11
31.6 / 1L21
31.6 / 1L31

-50F
XLR000
L320055
63A Gr

-50FC
15kW
ACS880-01-032A-3
Phd 11kW/25A

SN: 1233705262

ABB

ACS880-01-032A-3

MOTOR Brake/Common DC
UDC+

T1/U
T2/V
T3/W
PE

-50Q1
ABB
MS116-12
8...12A

-50Q2
ABB
MS116-12
8...12A

-50W1
4x4
H05VV-F

-50W2
4x4
H05VV-F

-50X1
3x2,5
H05VV-F

Döndürme
Motor 1-2

-50M1
400V Y
5,5kW

-50M2
400V Y
5,5kW

Döndürme
Frenleme
Direnci

-50R
22kW 13Ω

EDITOR	Simge NALBANTOĞLU
DATE	
CONTROLLER	Barış DEMİR

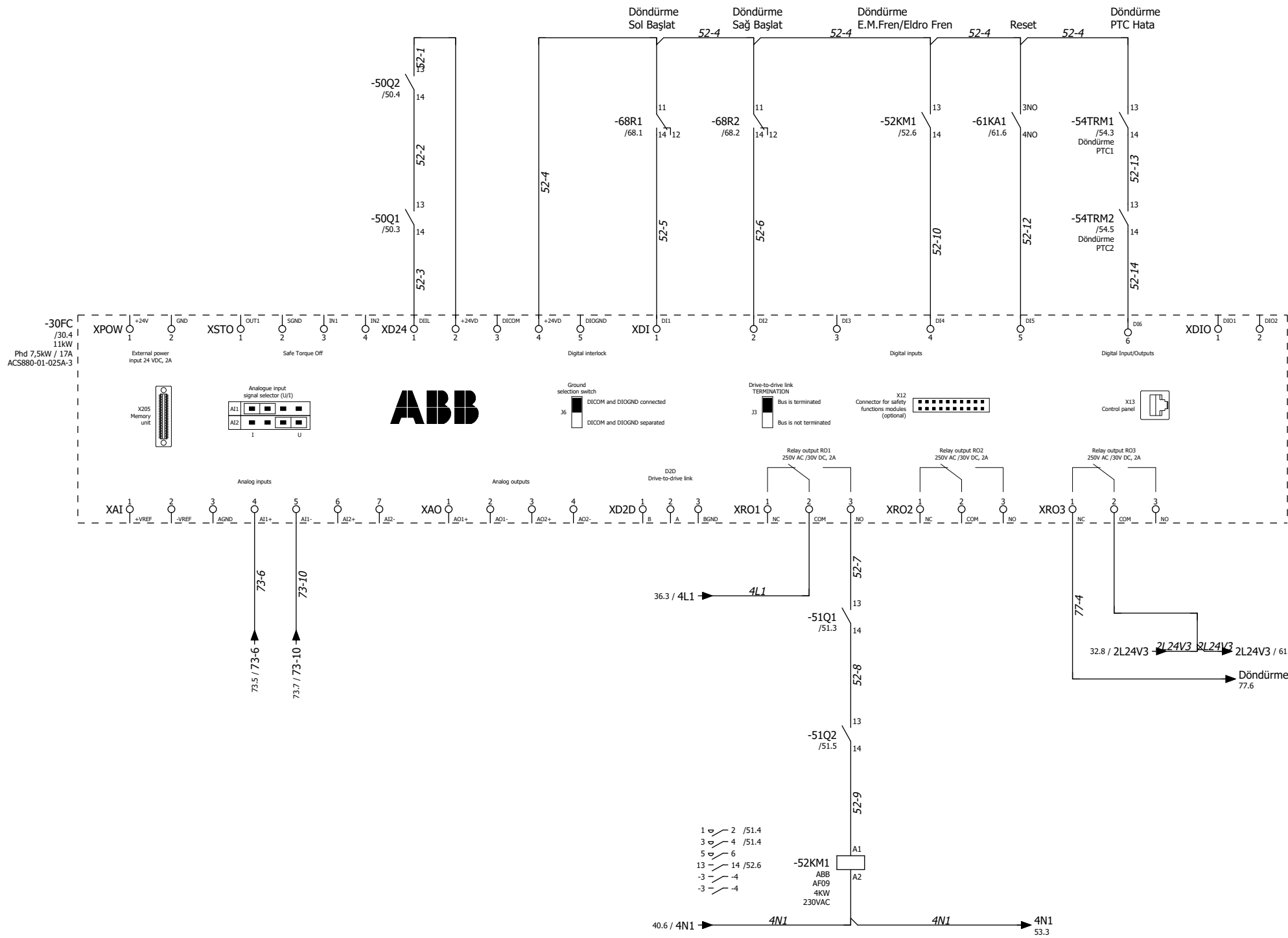


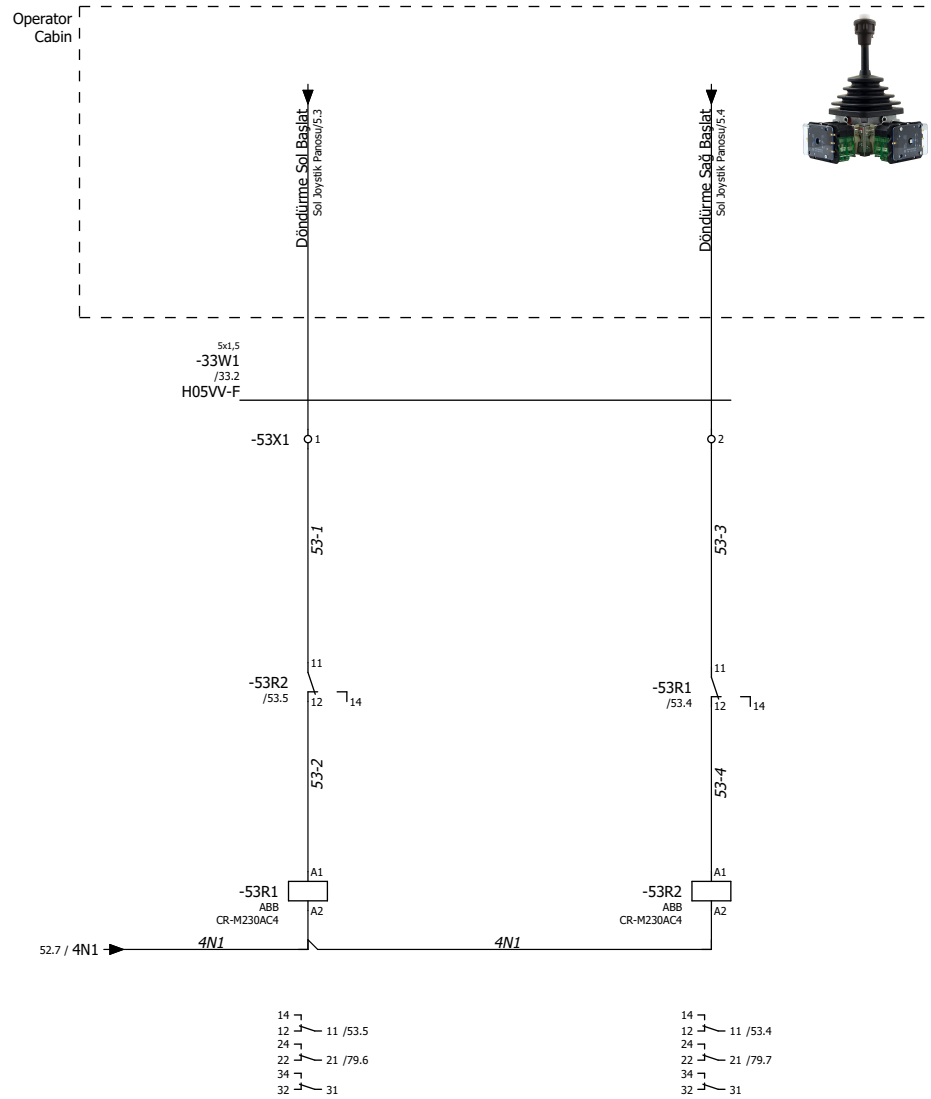
ADS23-295 BEŞİKTAŞ TERSANESİ

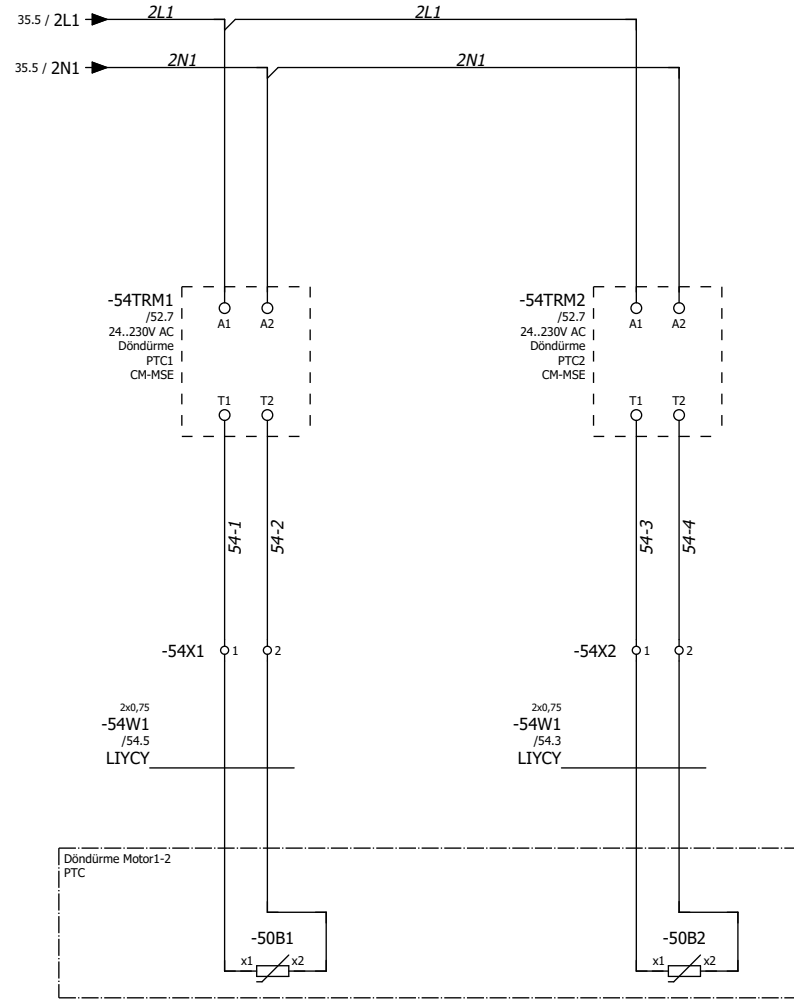
Döndürme Güç Devresi

Ana Pano

= 00SMC00GH00x
+ SMC00
Page / 50
70







EDITOR	Simge NALBANTOĞLU
DATE	
CONTROLLER	Barış DEMİR



PM554-TP-ETH

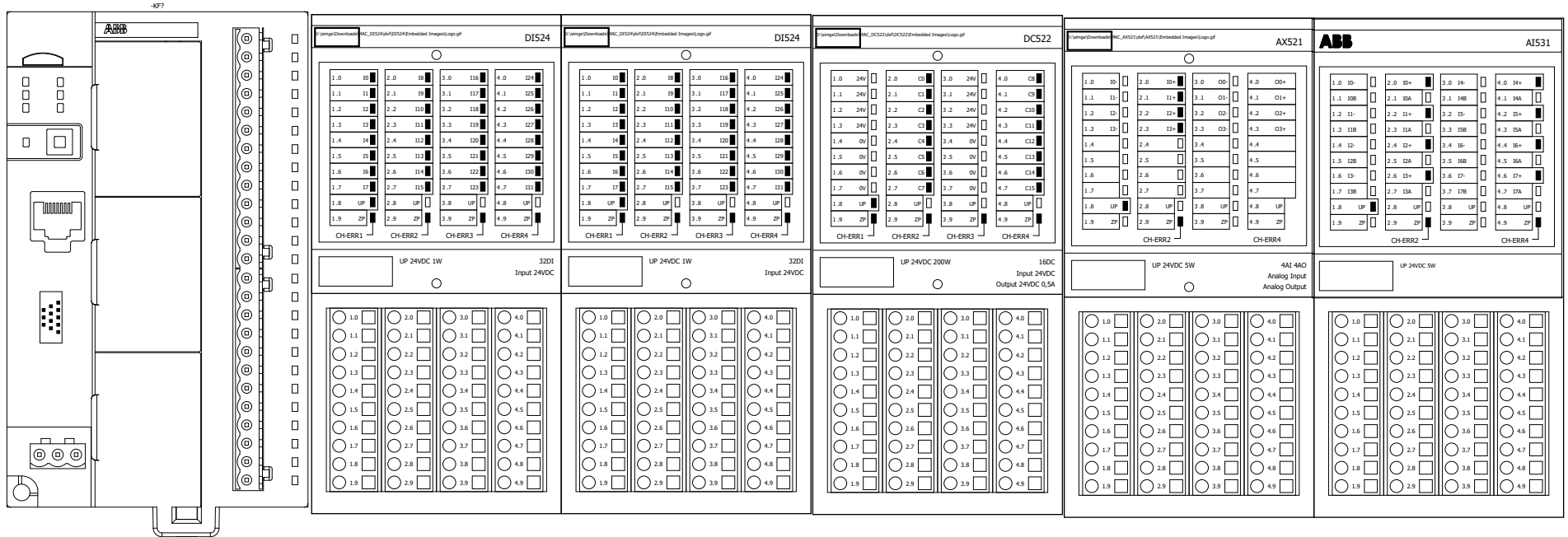
63A1 DI524

71A1 DC522

77A1 AI521

73A1 AX521

67A1 DI524



EDITOR	Simge NALBANTOĞLU
DATE	
CONTROLLER	Barış DEMİR



ADS23-295 BEŞİKTAŞ TERSANESİ

PLC Konfigürasyon

Ana Pano

61.7 / 2NOV1 → 2L24V3 2NOV1 2L24V3 2NOV1 2L24V3 2NOV1 2L24V3 → 2NOV1 / 61.0
 52.8 / 2L24V3 → 2L24V3 / 62.0

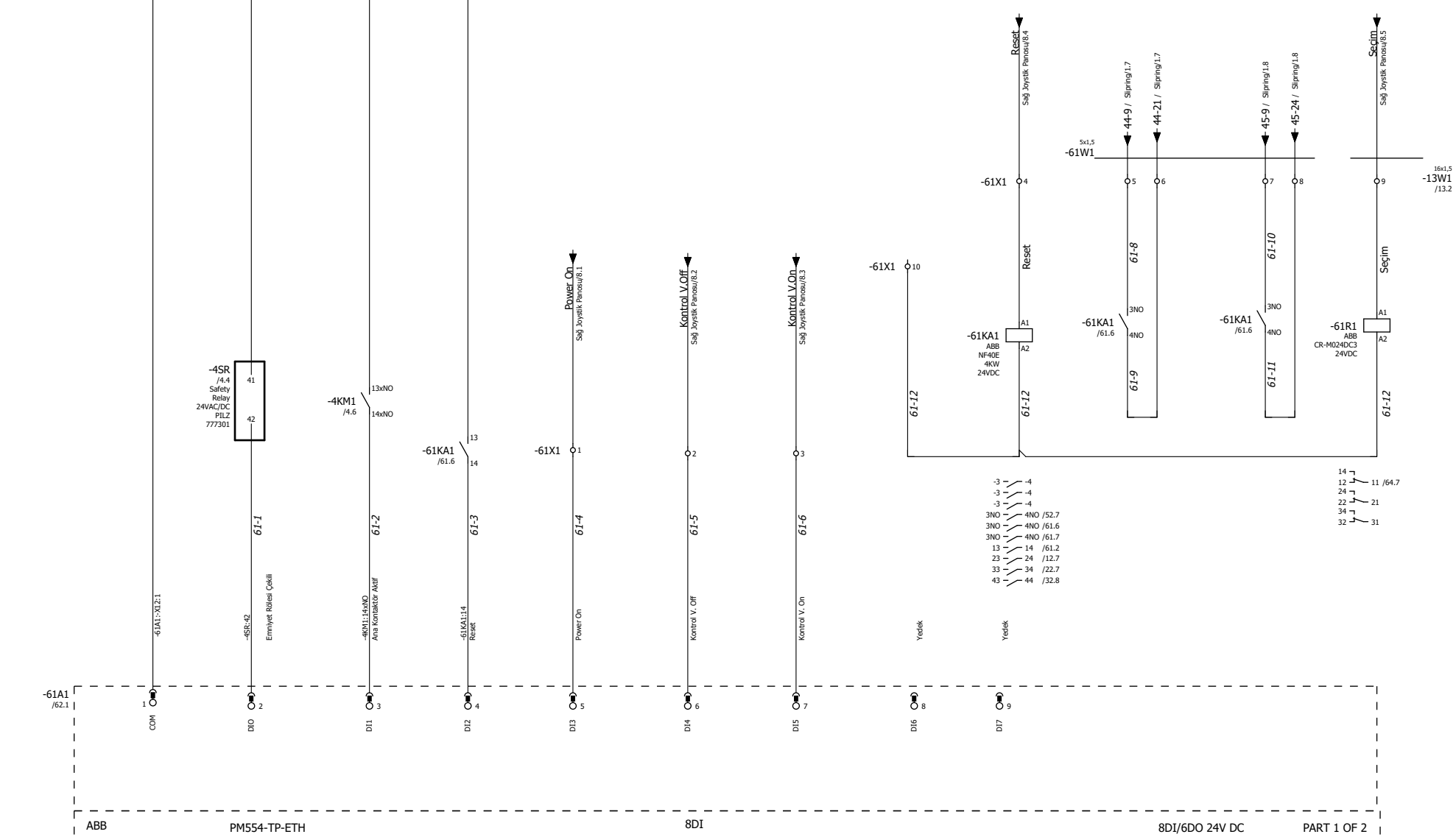


ABB PM554-TP-ETH 8DI 8DI/6DO 24V DC PART 1 OF 2

PM554-TP-ETH

6DO

PART 2 OF 2

-61A1
/61.0

D00
13

-62R1:A1
A1
A2
62-1
Ana Karca Yukarı Bağıtt

D01
14

-62R2:A1
A1
A2
62-2
Ana Karca Aşağı Bağıtt

D02
15

-62R3:A1
A1
A2
62-3
Y.Karica Yukarı Bağıtt

D03
16

-62R4:A1
A1
A2
62-4
Y.Karica Aşağı Bağıtt

D04
17

-62R5:A1
A1
A2
62-5
Bom Yukarı Bağıtt

D05
18

-62R6:A1
A1
A2
62-6
Bom Aşağı Bağıtt

UP
19

#HMI Panosu:IA1
2L24V2
2.1

ZP
20

-62R6:A2
2L24V3

-62R1
ABB
CR-S024VADC1CRS
24VDC

-62R2
ABB
CR-S024VADC1CRS
24VDC

-62R3
ABB
CR-S024VADC1CRS
24VDC

-62R4
ABB
CR-S024VADC1CRS
24VDC

-62R5
ABB
CR-S024VADC1CRS
24VDC

-62R6
ABB
CR-S024VADC1CRS
24VDC

14
12

11 /12.4

14
12

11 /12.5

14
12

11 /22.4

14
12

11 /22.5

14
12

11 /32.4

14
12

11 /32.5

62.8 / 2NOV1

2NOV1

2NOV1

2NOV1

2NOV1

2NOV1

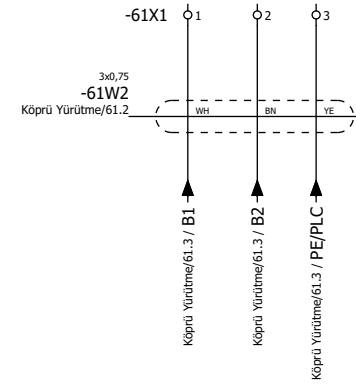
2NOV1

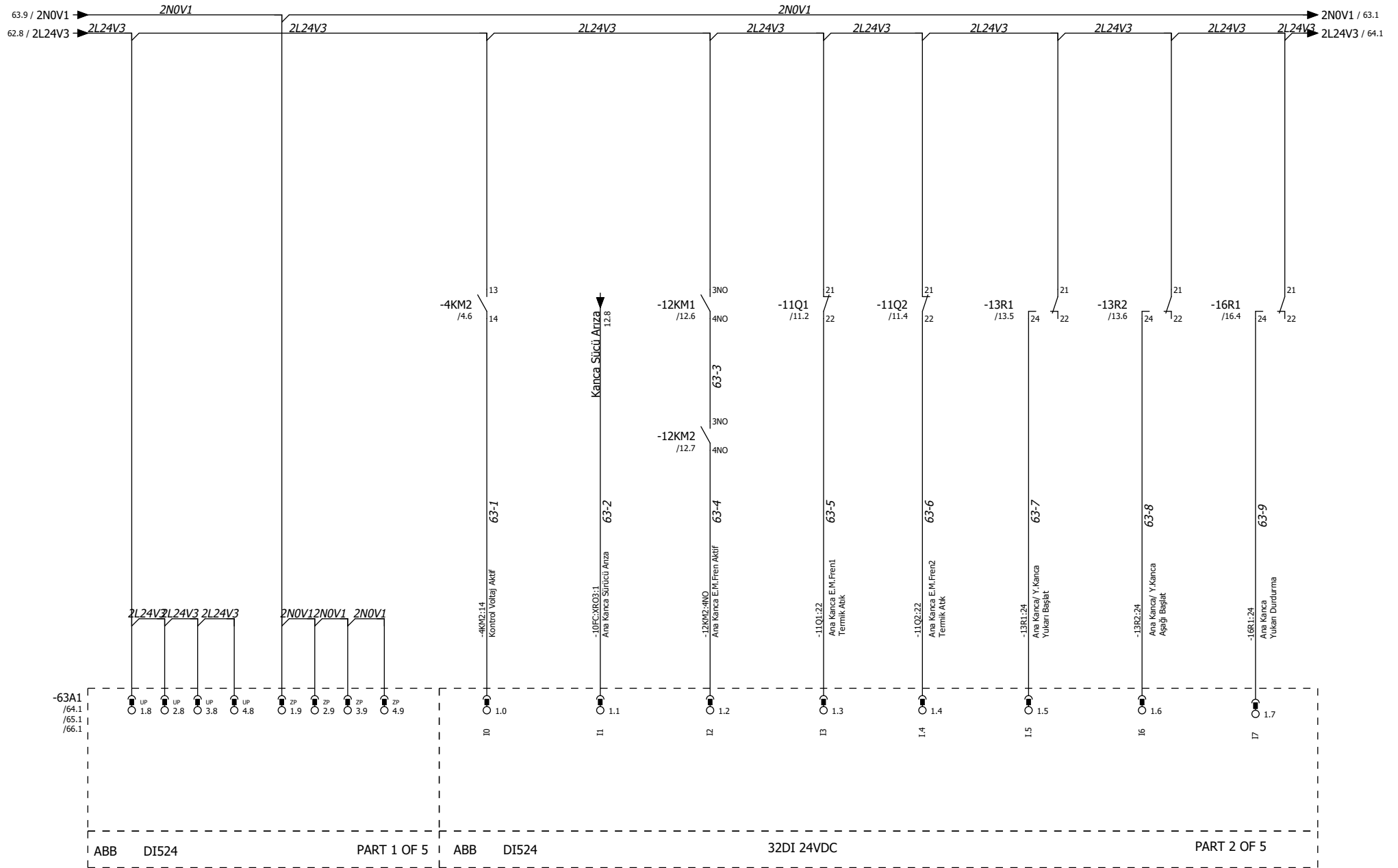
2NOV1 / 62.0

61.7 / 2L24V3

2L24V3

2L24V3 / 63.1

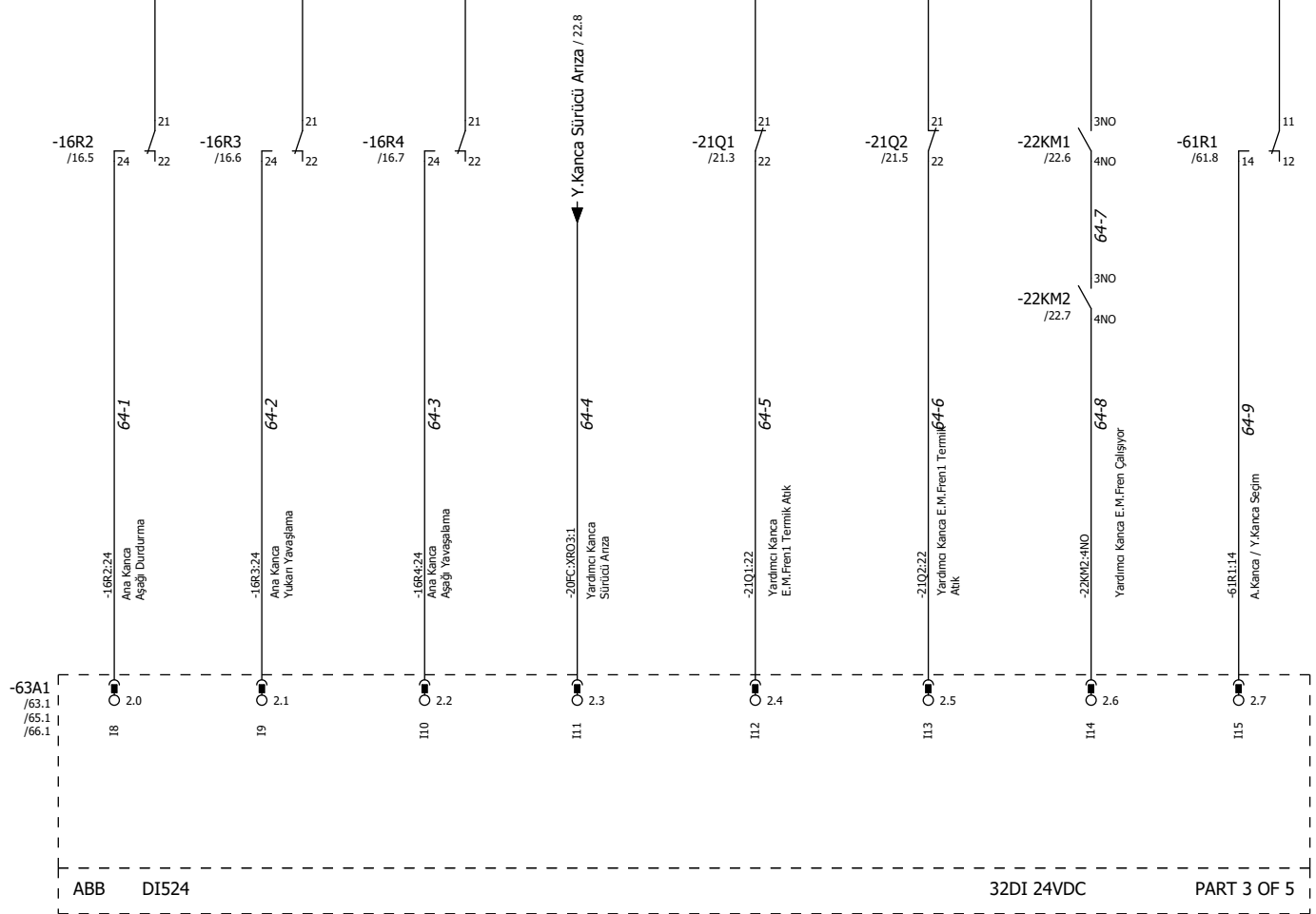




EDITOR	Simge NALBANTOĞLU
DATE	
CONTROLLER	Barış DEMİR

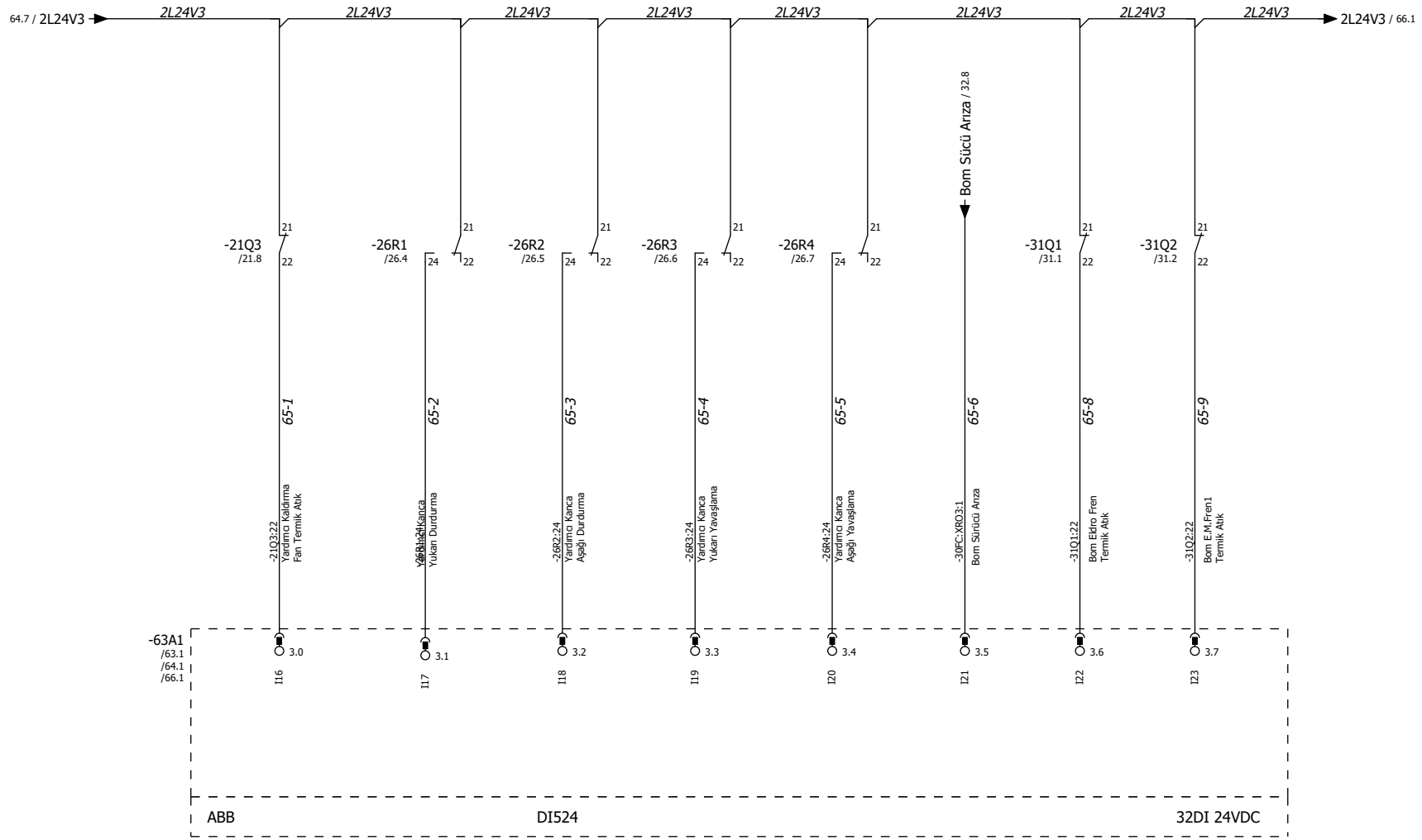


63.9 / 2L24V3 → 2L24V3 2L24V3 2L24V3 2L24V3 2L24V3 2L24V3 2L24V3 2L24V3 → 2L24V3 / 65.1



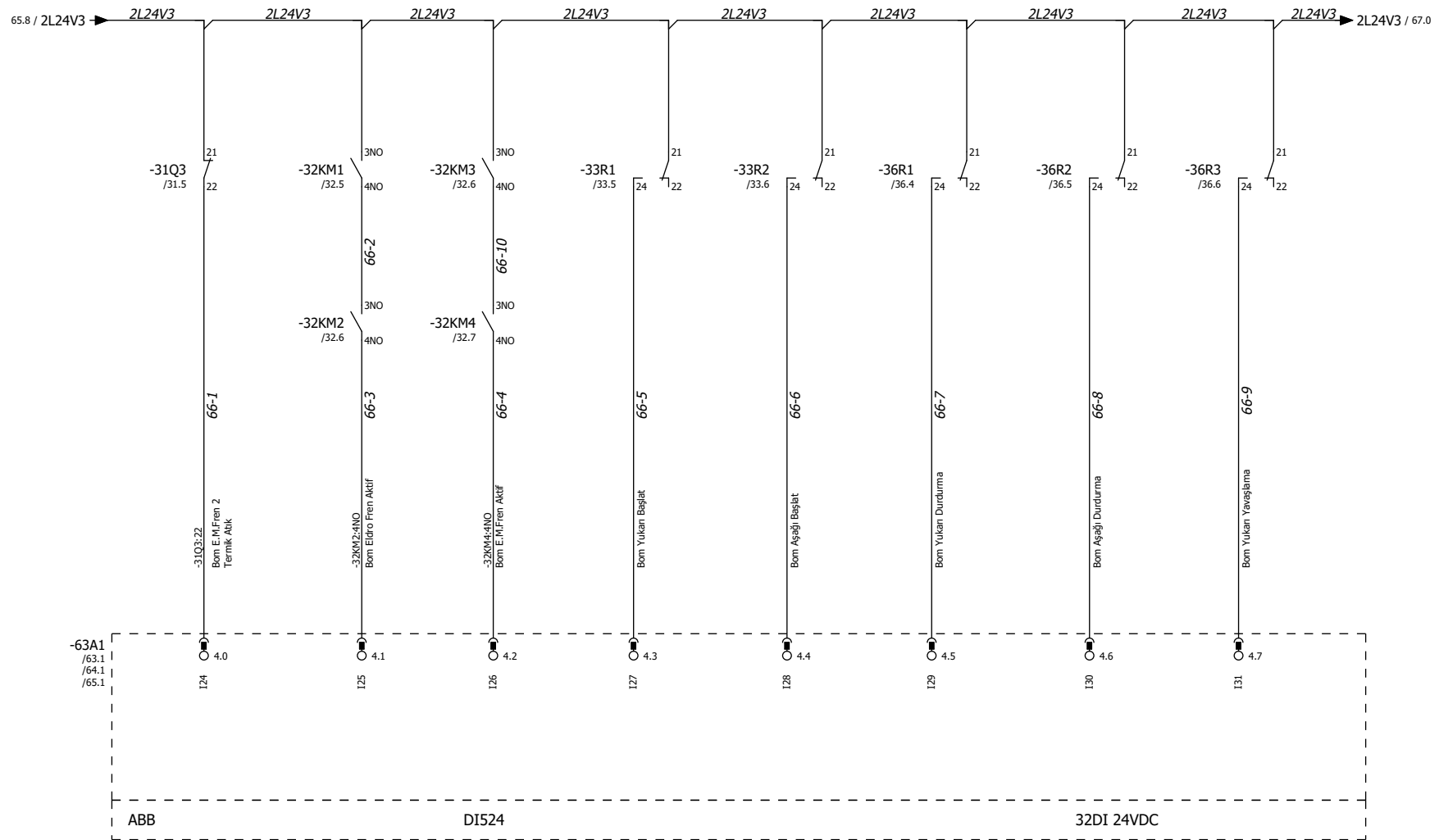
EDITOR	Simge NALBANTOĞLU
DATE	
CONTROLLER	Barış DEMİR





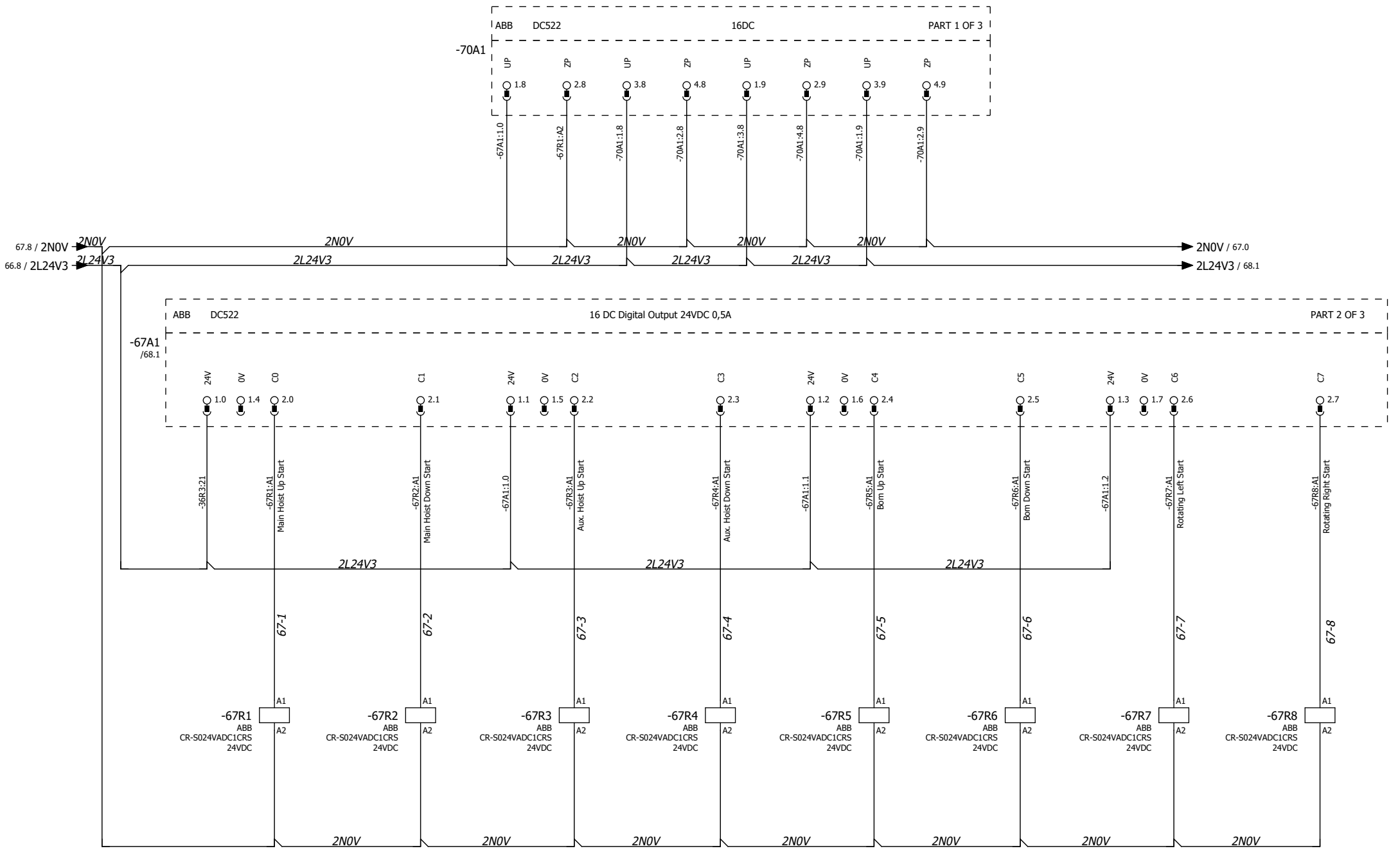
EDITOR	Simge NALBANTOĞLU
DATE	
CONTROLLER	Barış DEMİR





EDITOR	Simge NALBANTOĞLU
DATE	
CONTROLLER	Barış DEMİR





EDITOR	Simge NALBANTOĞLU
DATE	
CONTROLLER	Barış DEMİR



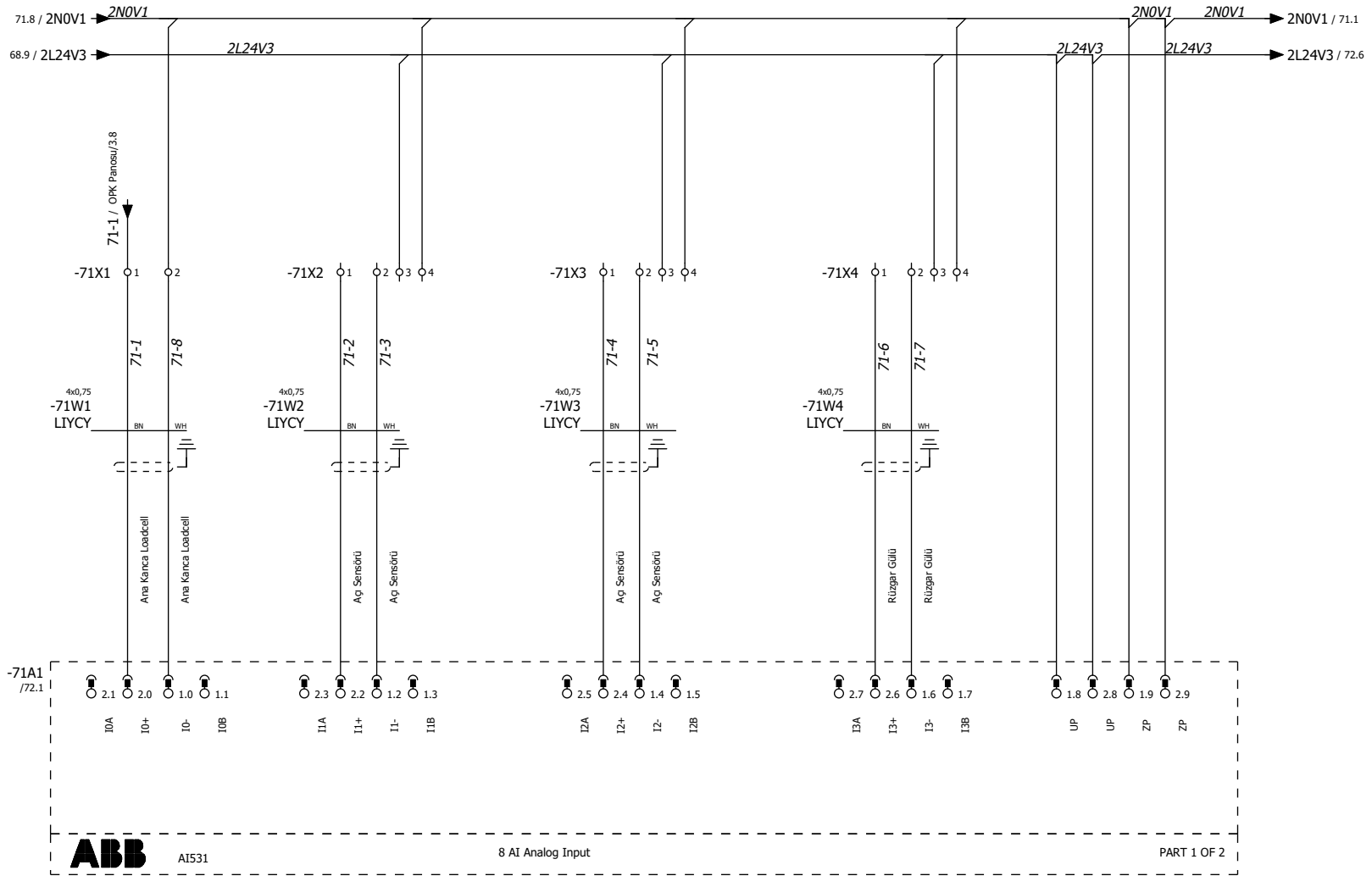
ADS23-295 BEŞİKTAŞ TERSANESİ

KART3_DC522/DO8

Ana Pano

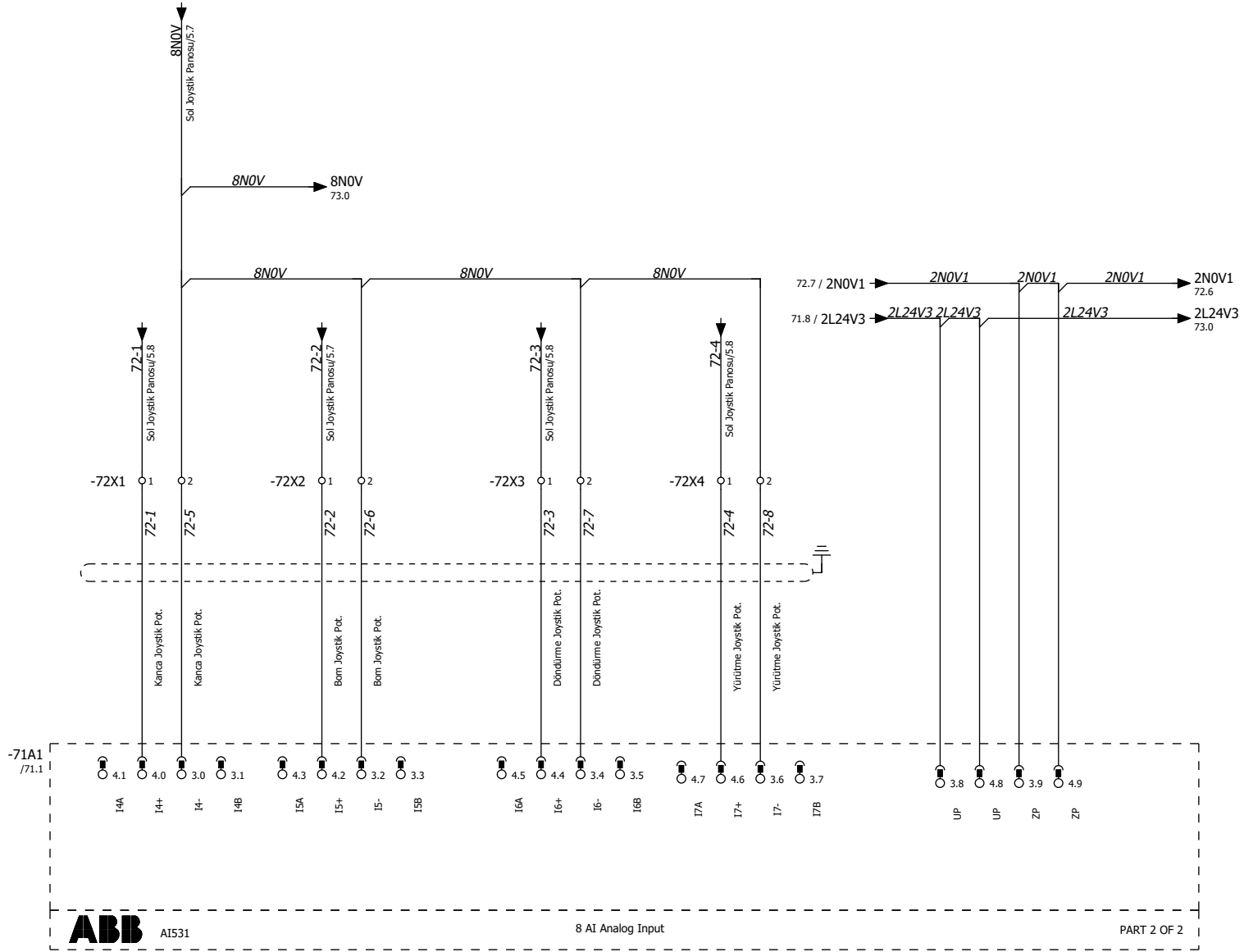
14	12
11	12
14	12
11	12
14	12
11	12
14	12
11	12

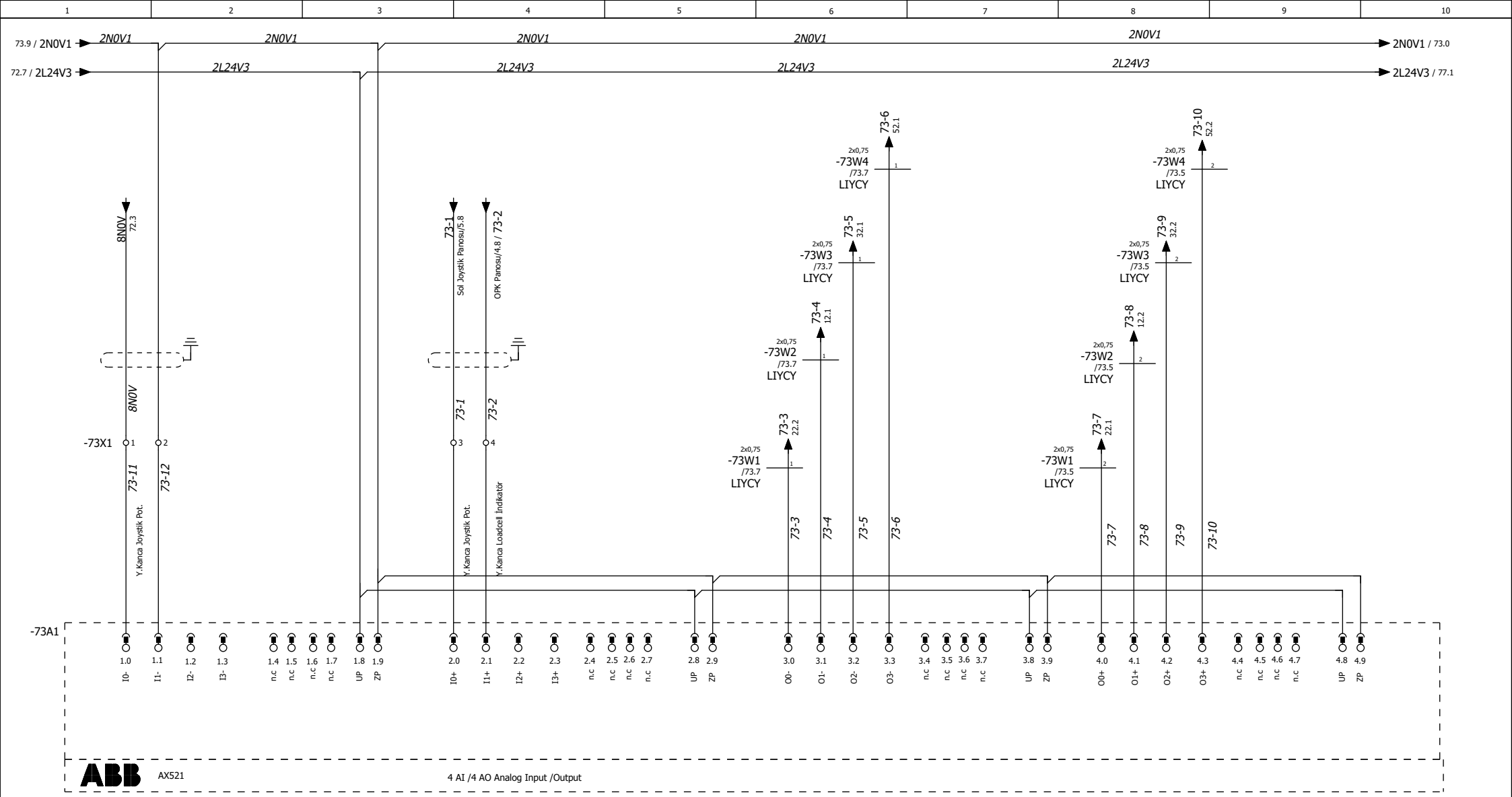
= 00SMC000400x
+ SMC0011 12
Page / 67
82

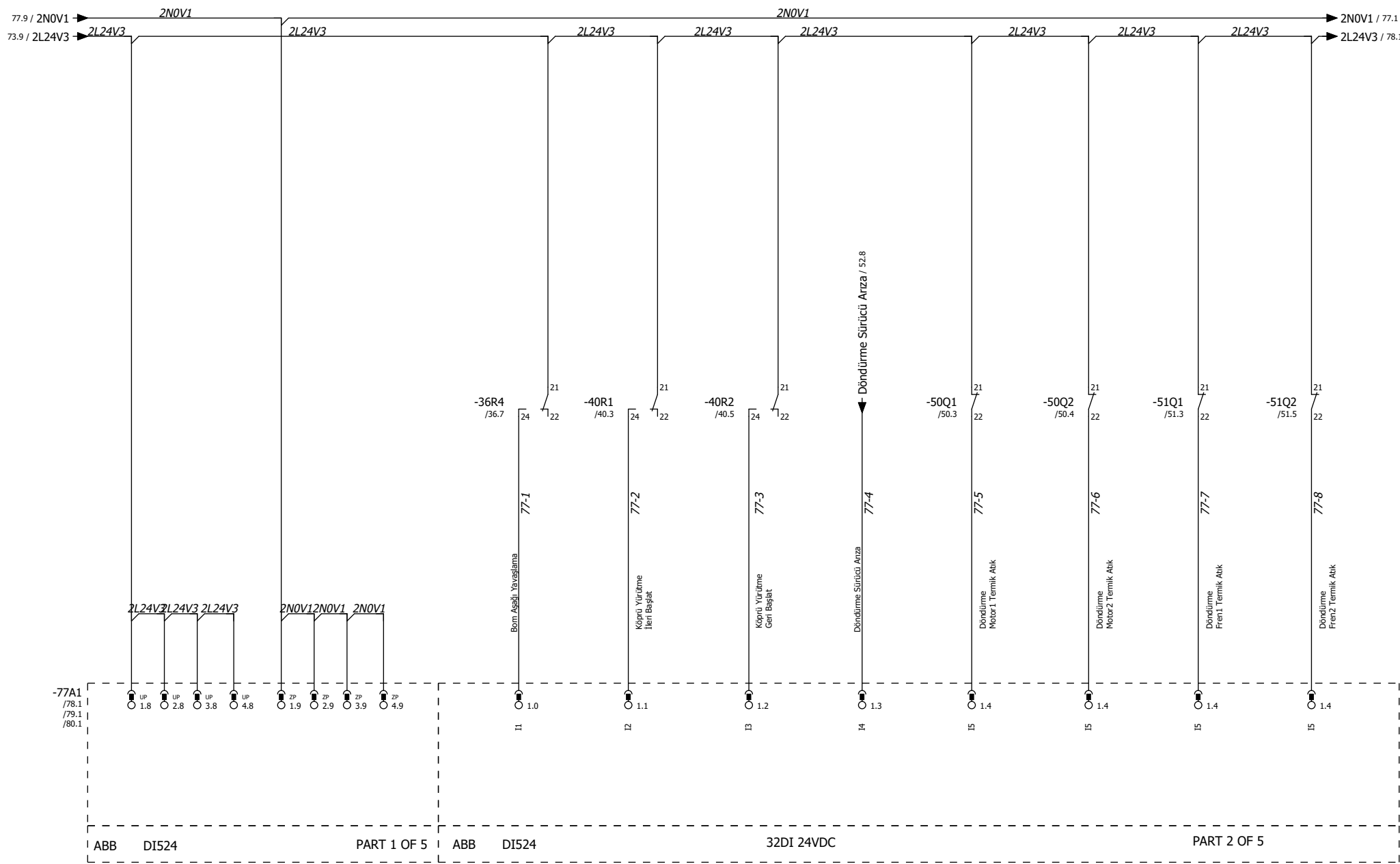


EDITOR	Simge NALBANTOĞLU
DATE	
CONTROLLER	Barış DEMİR

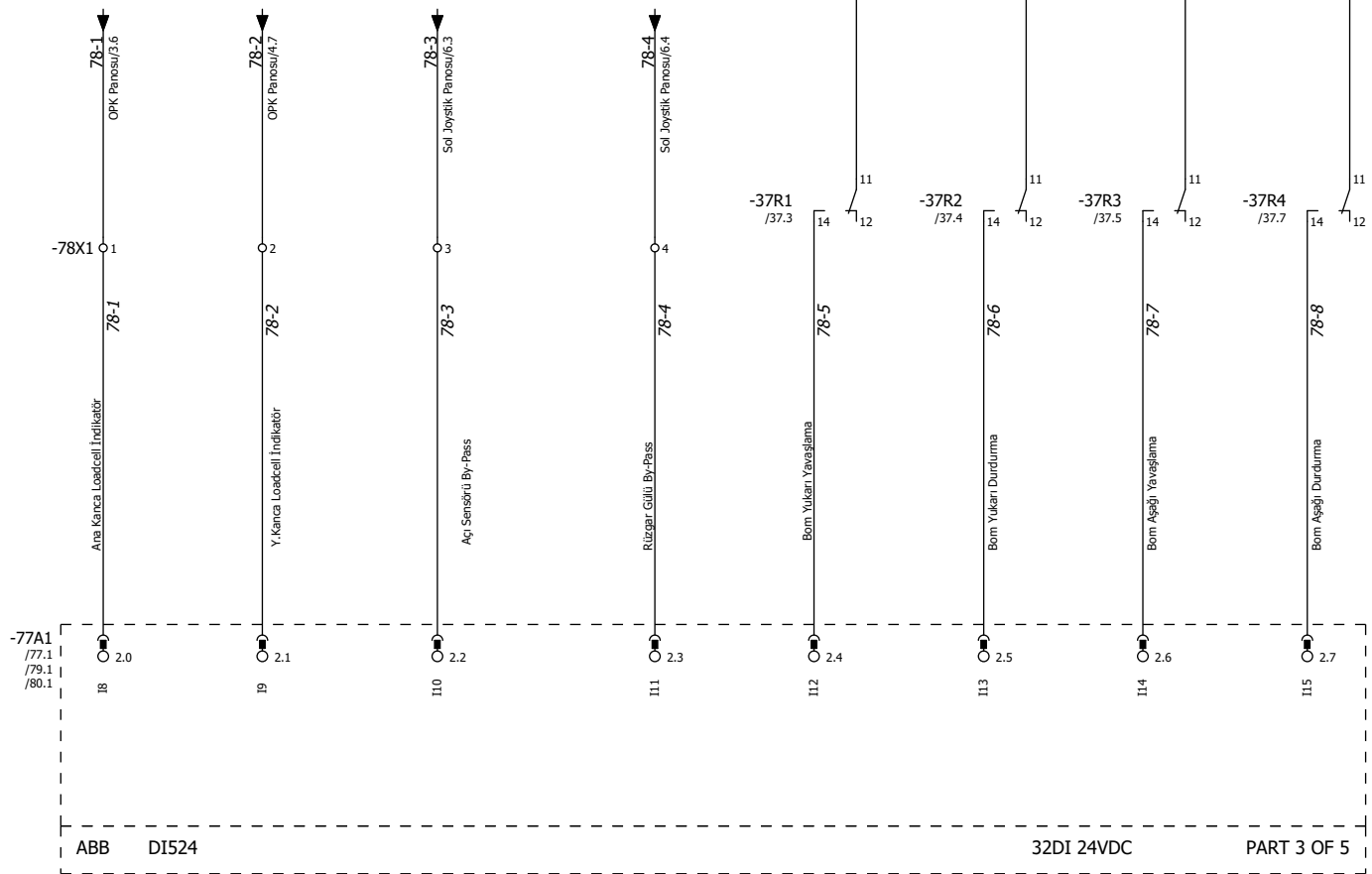






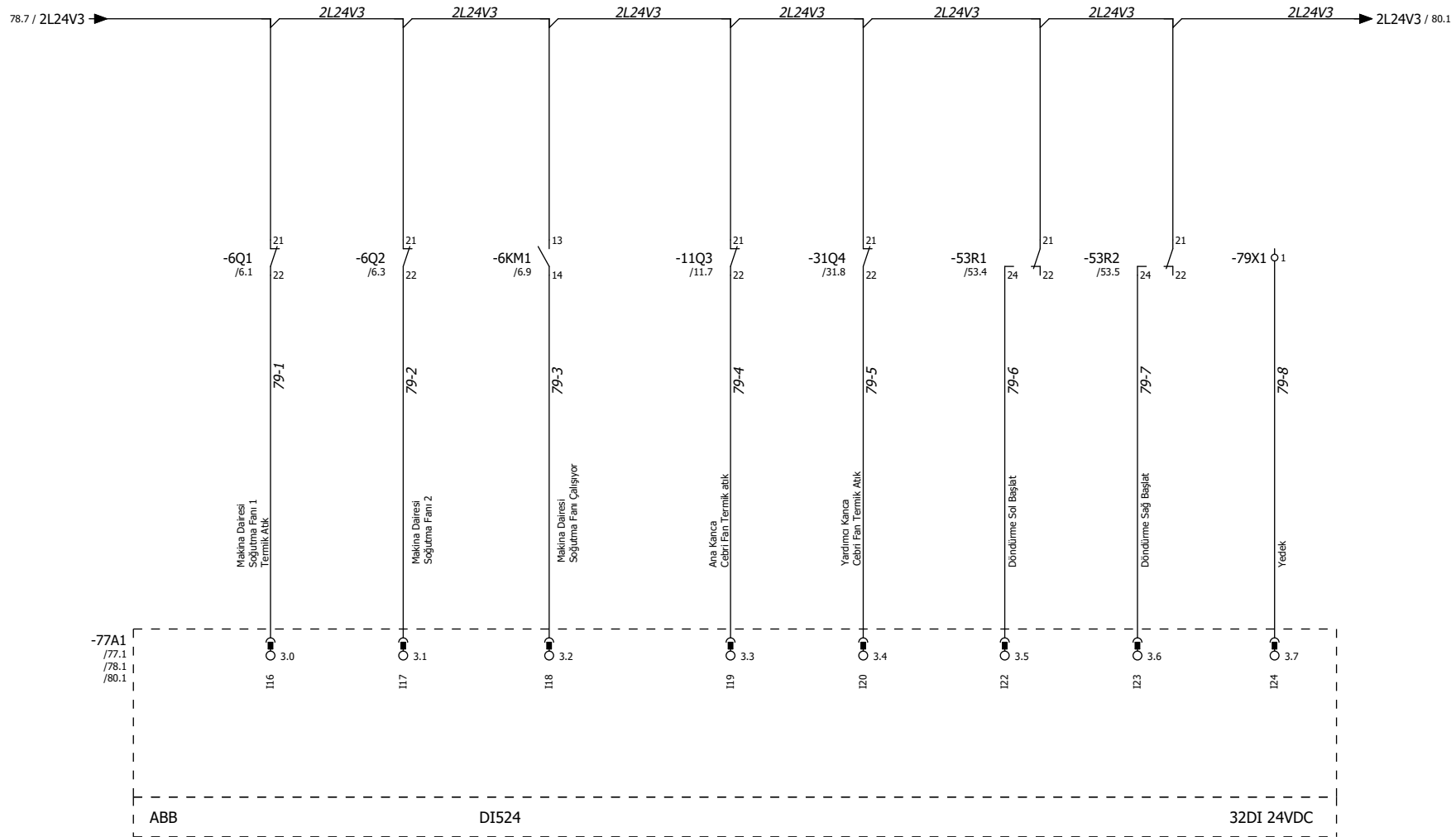


77.9 / 2L24V3 → 2L24V3 / 79.1



EDITOR	Simge NALBANTOĞLU
DATE	
CONTROLLER	Barış DEMİR

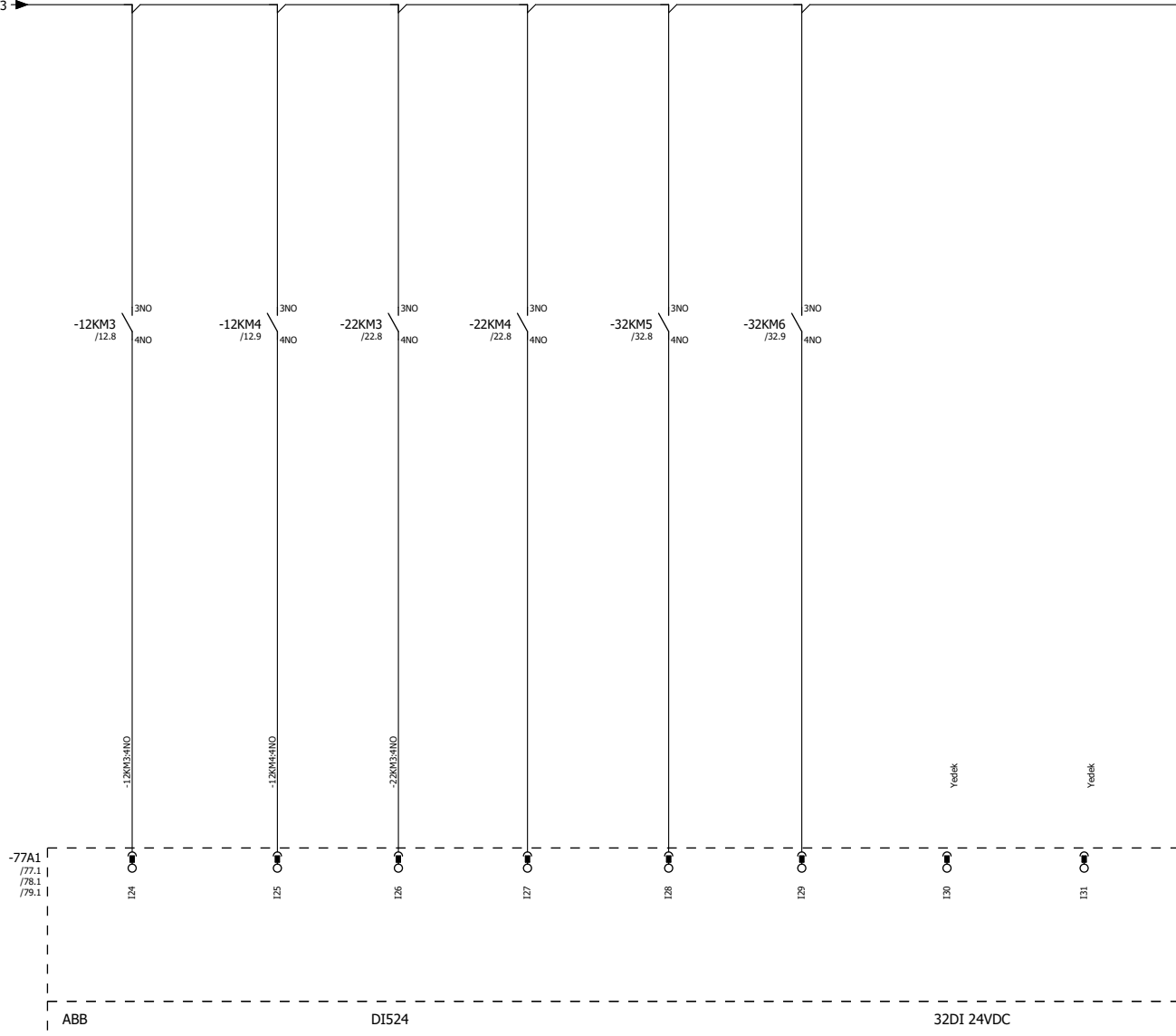




EDITOR	Simge NALBANTOĞLU
DATE	
CONTROLLER	Barış DEMİR



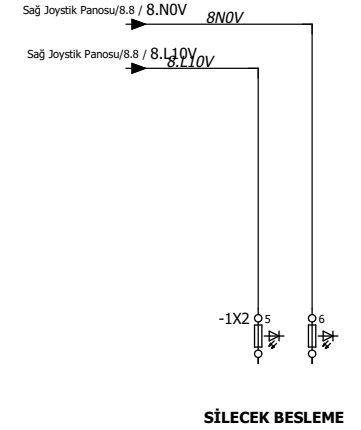
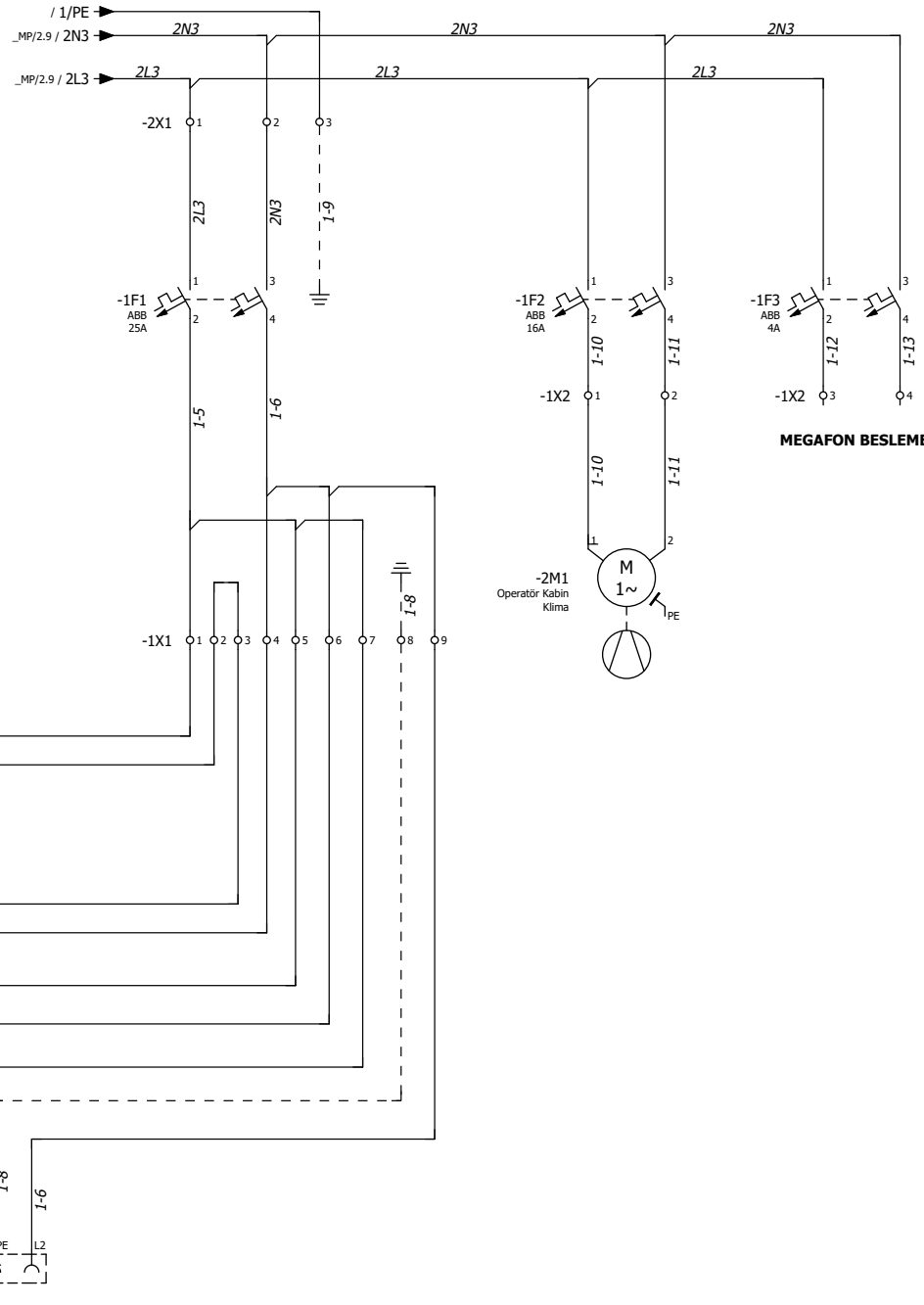
80.7 / 2NOV1 → 2NOV1 / 80.1
79.8 / 2L24V3 → 2L24V3 / Köprü Yürütme/71.1



EDITOR	Simge NALBANTOĞLU
DATE	
CONTROLLER	Barış DEMİR



= 00SMC00GH00x
+ SMC00
Page / 80
90



MEGAFON BESLEME

SİLECEK BESLEME

EDITOR	Simge NALBANTOĞLU
DATE	
CONTROLLER	Barış DEMİR

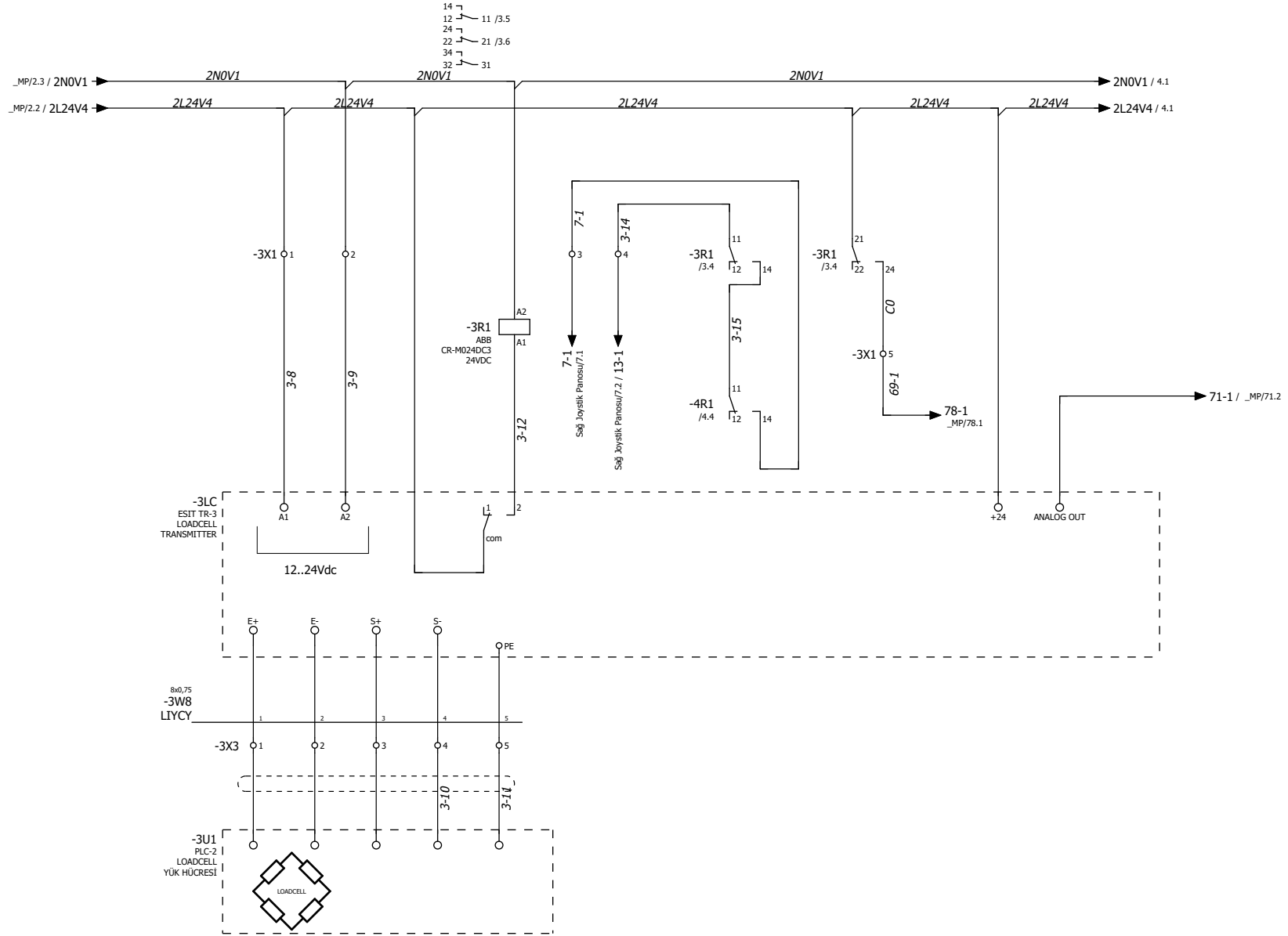


ADS23-295 BEŞİKTAŞ TERSANESİ

Operatör Kabin Yardımcı Devre Panosu

Operatör Kabin

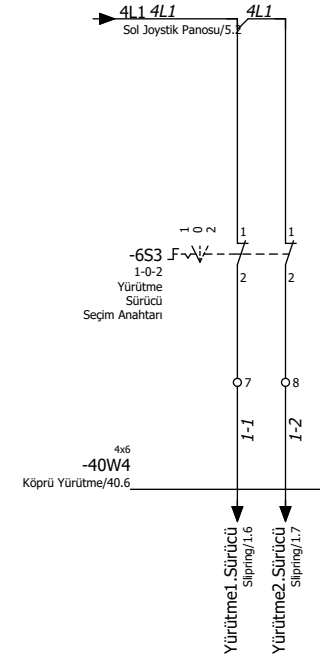
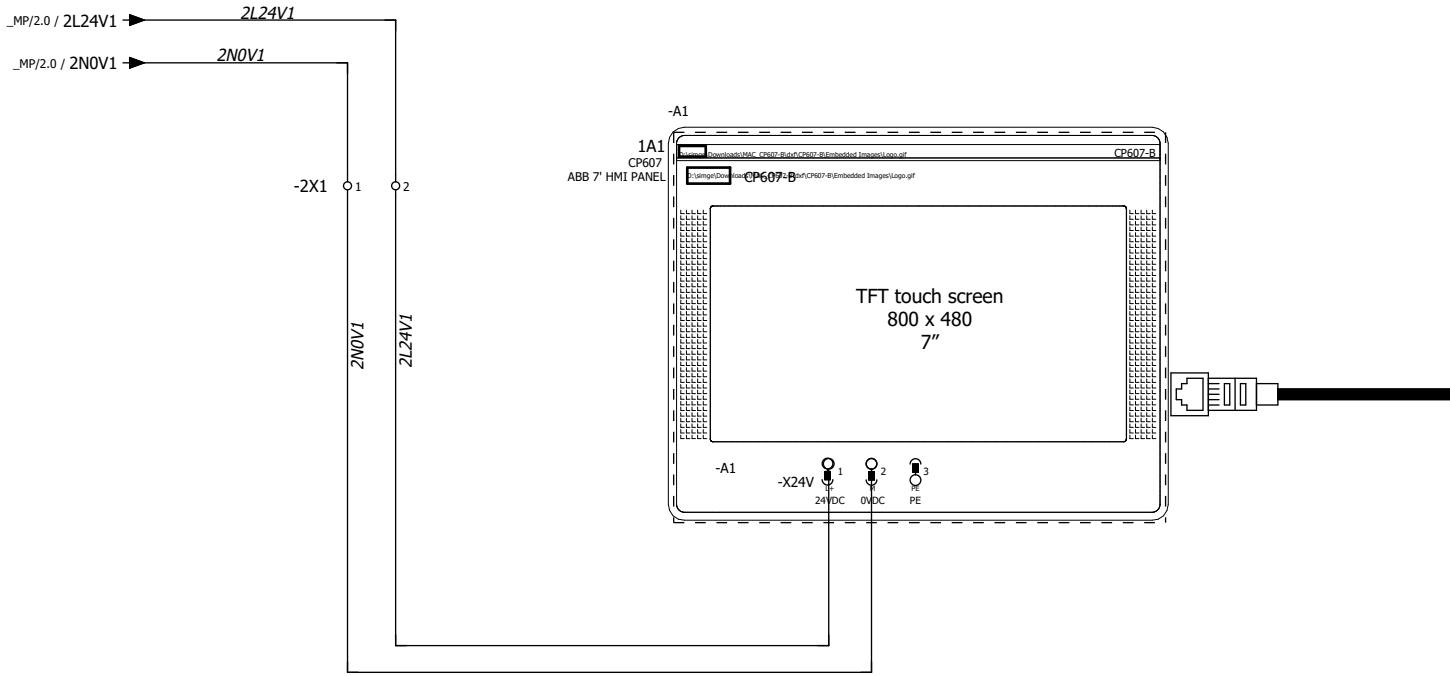
= 00SMC00GH00x
+ SMC00
Page / 1
91



EDITOR	Simge NALBANTOĞLU
DATE	
CONTROLLER	Barış DEMİR

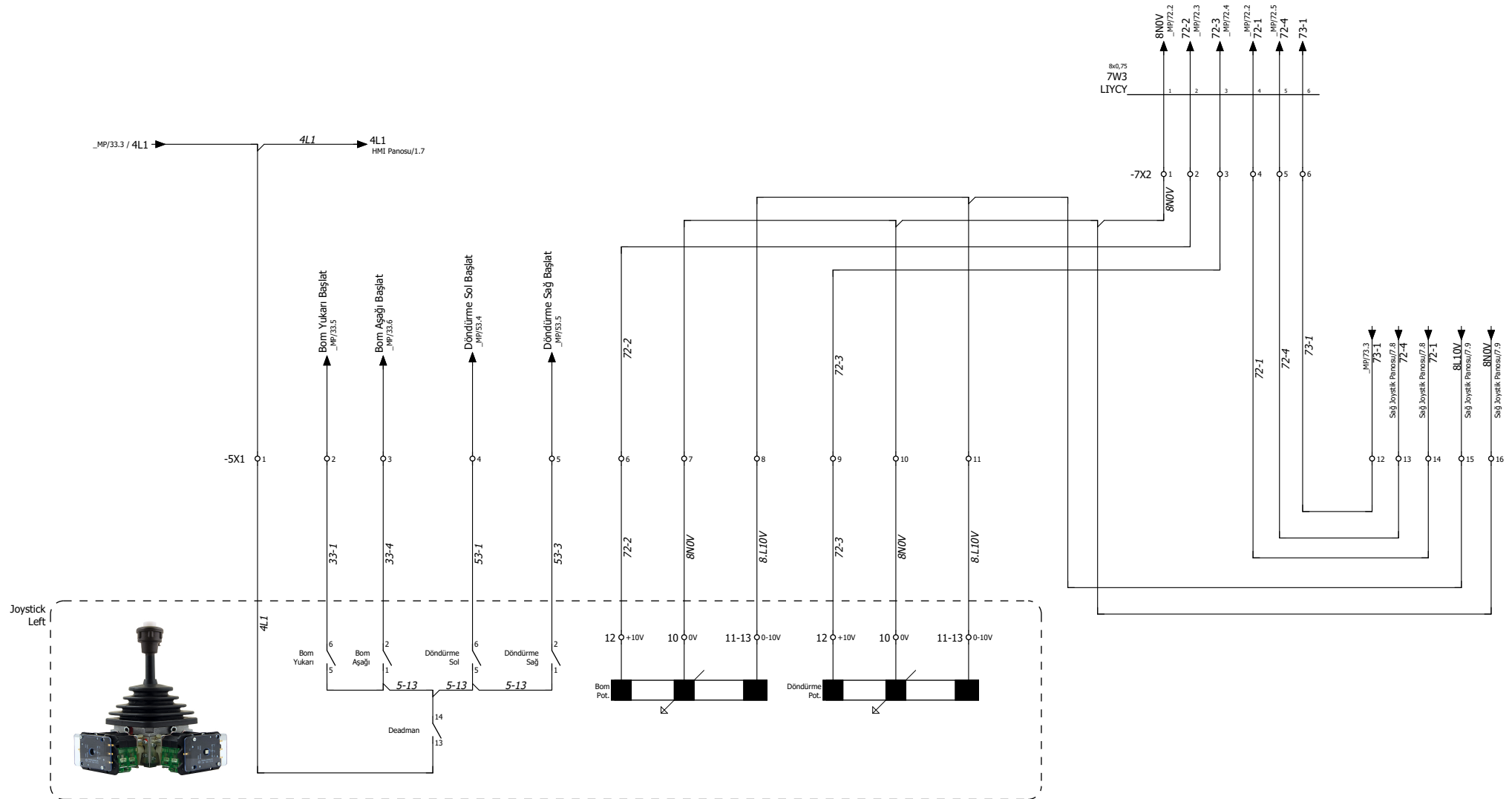


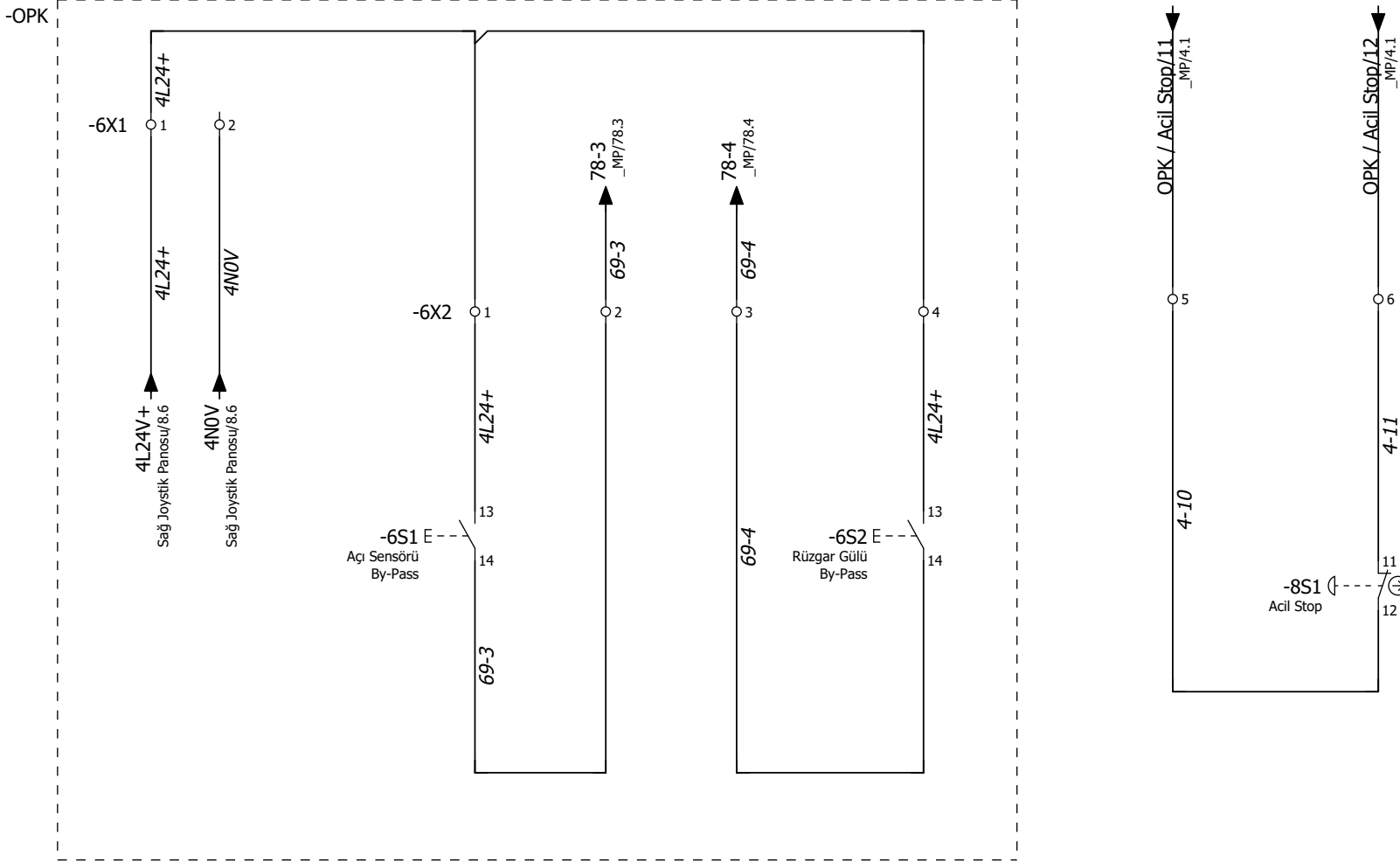
= 00SMC00GH00x
+ SMC00
Page / 3
92

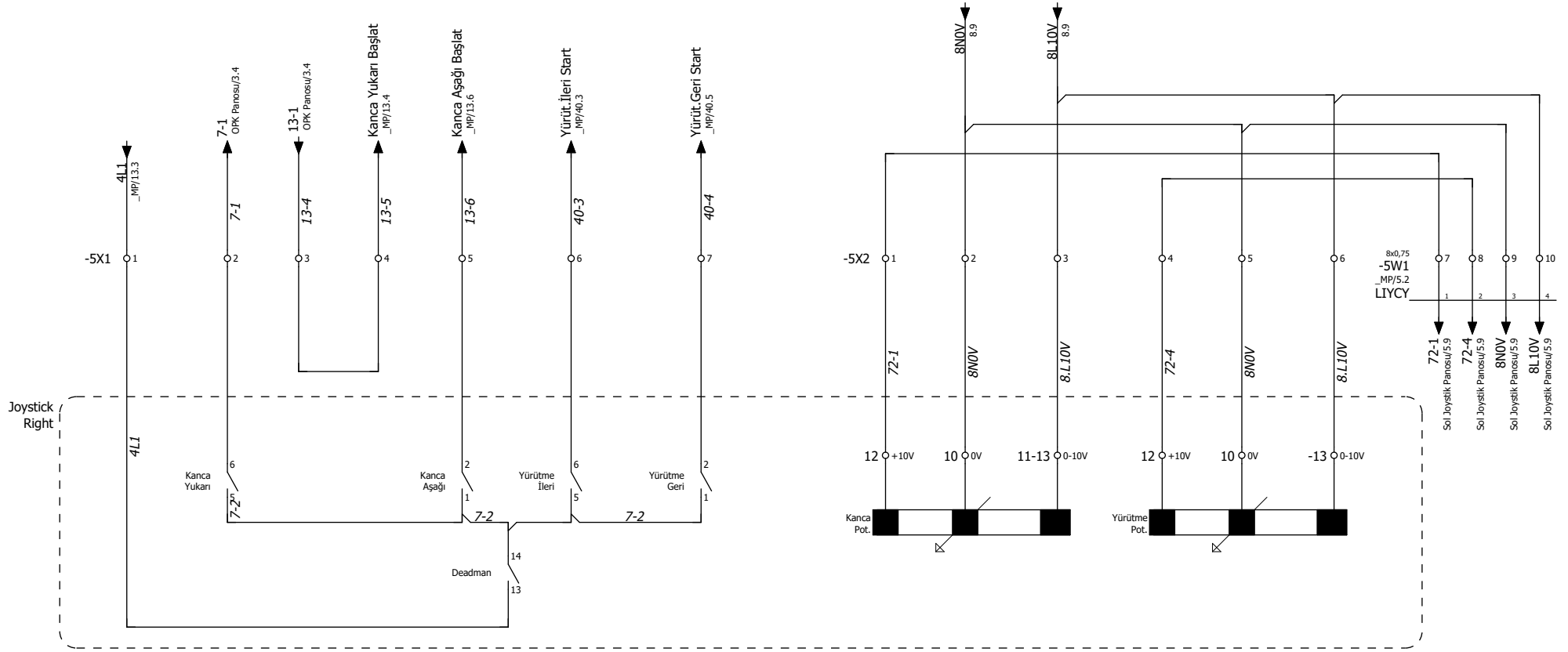


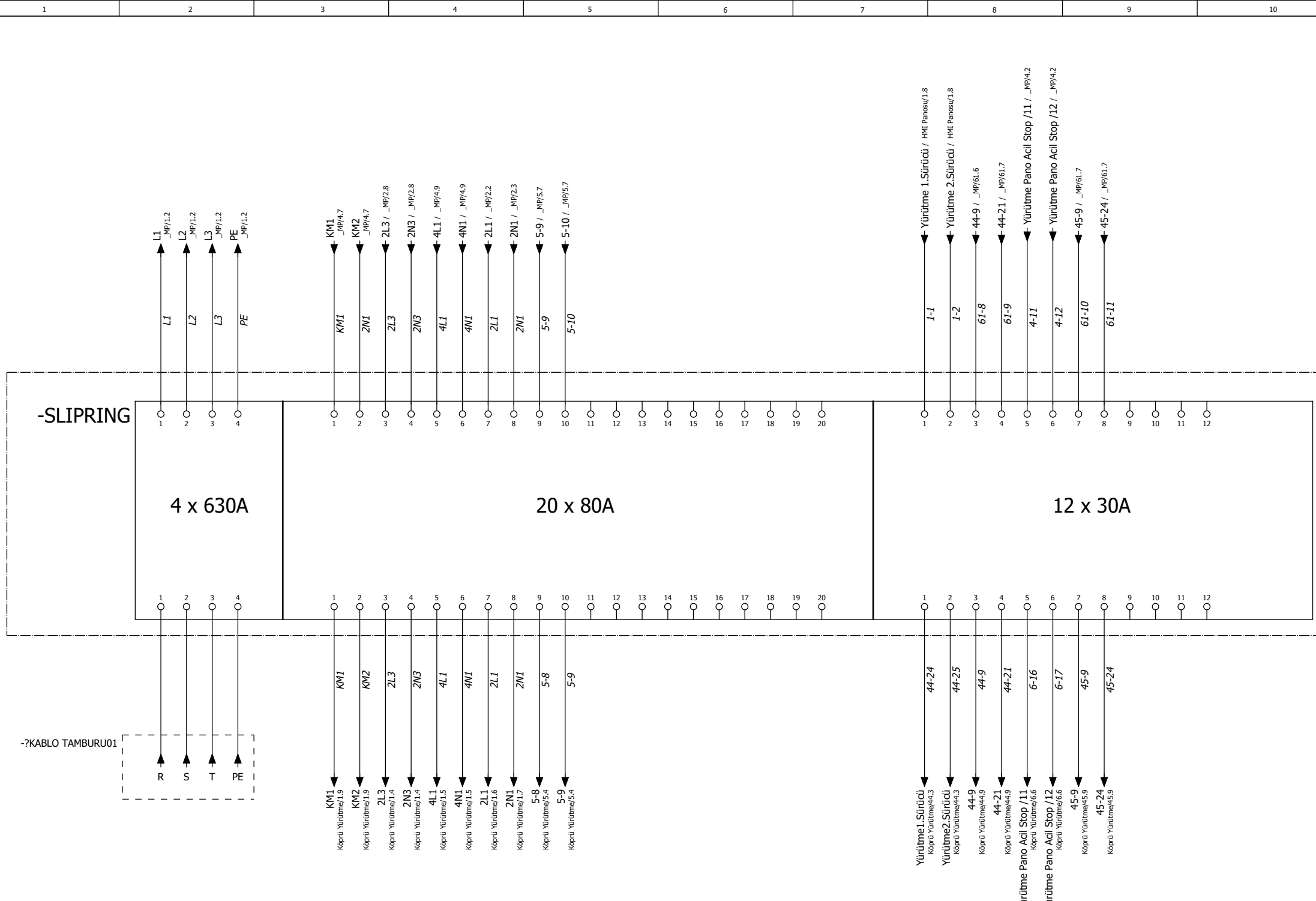
EDITOR	Simge NALBANTOĞLU
DATE	
CONTROLLER	Barış DEMİR





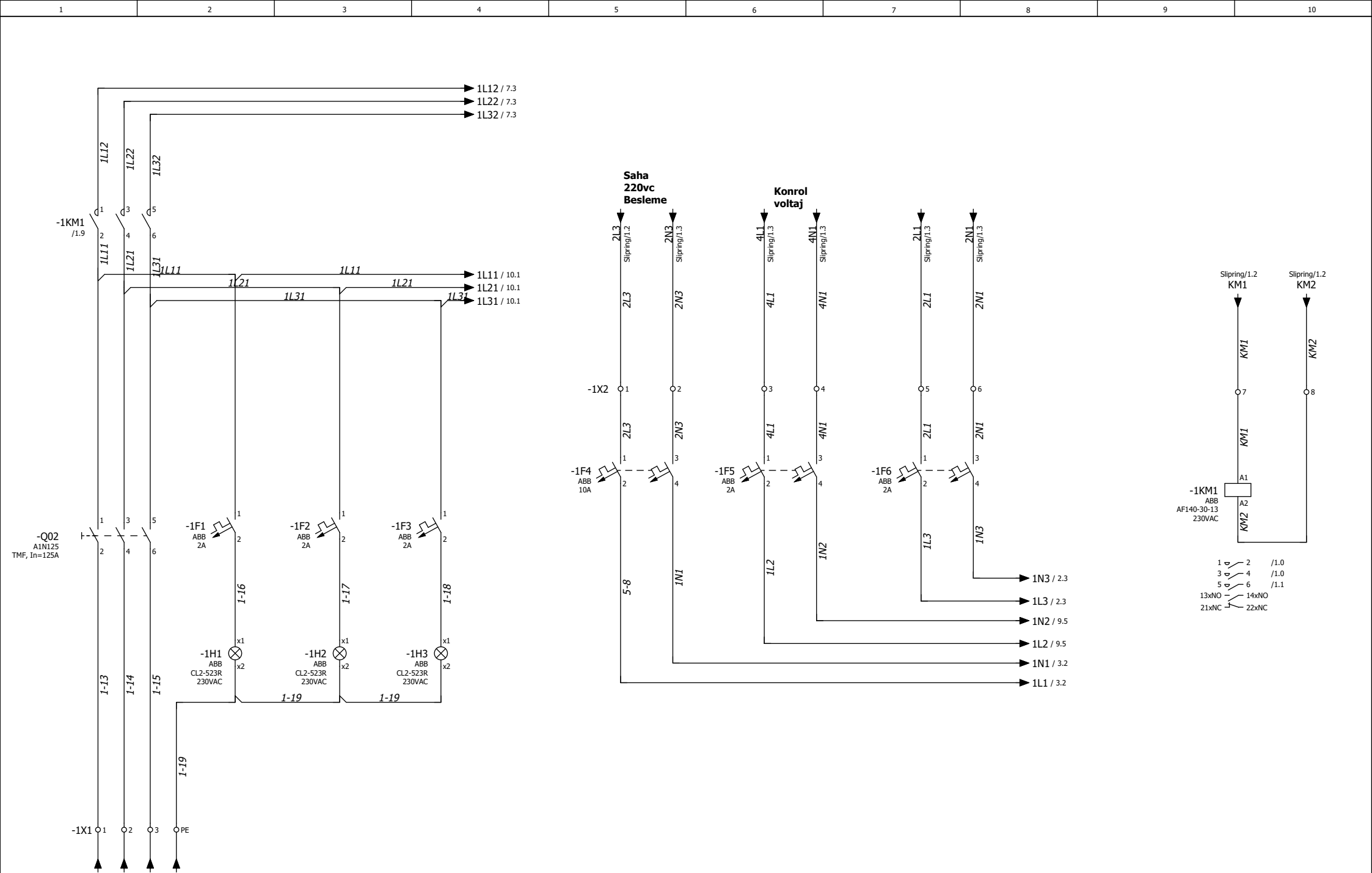






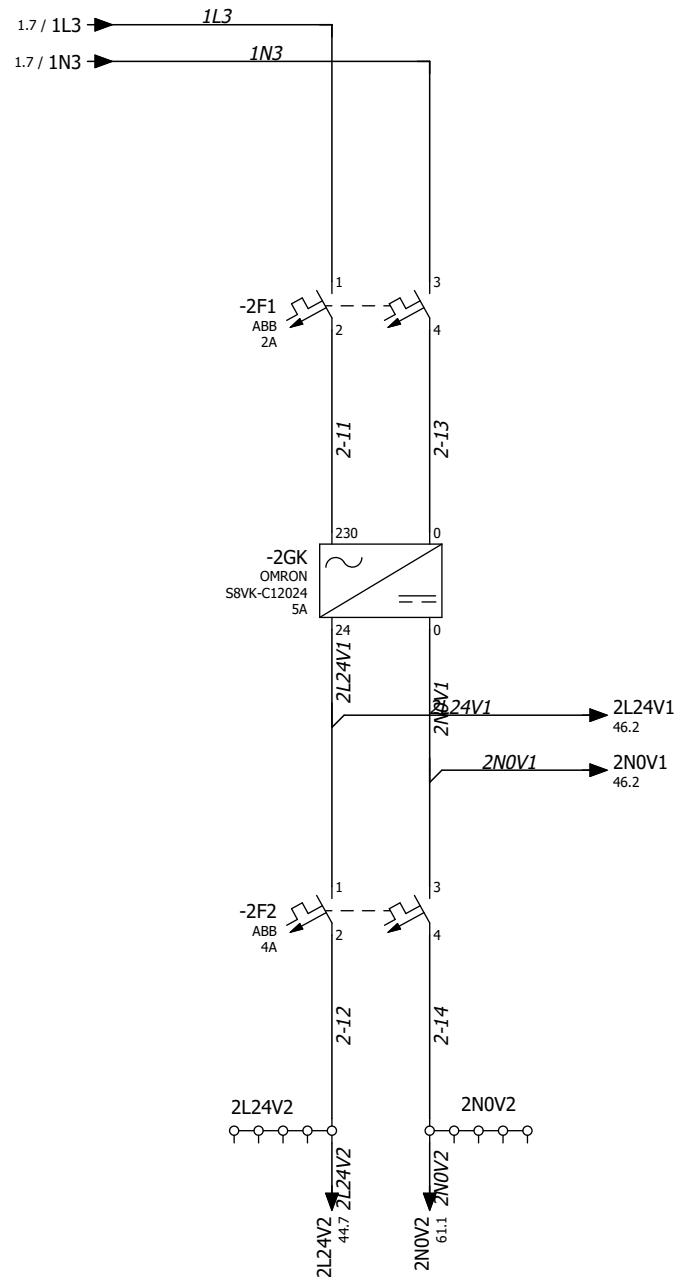
EDITOR	Simge NALBANTOĞLU
DATE	
CONTROLLER	Barış DEMİR





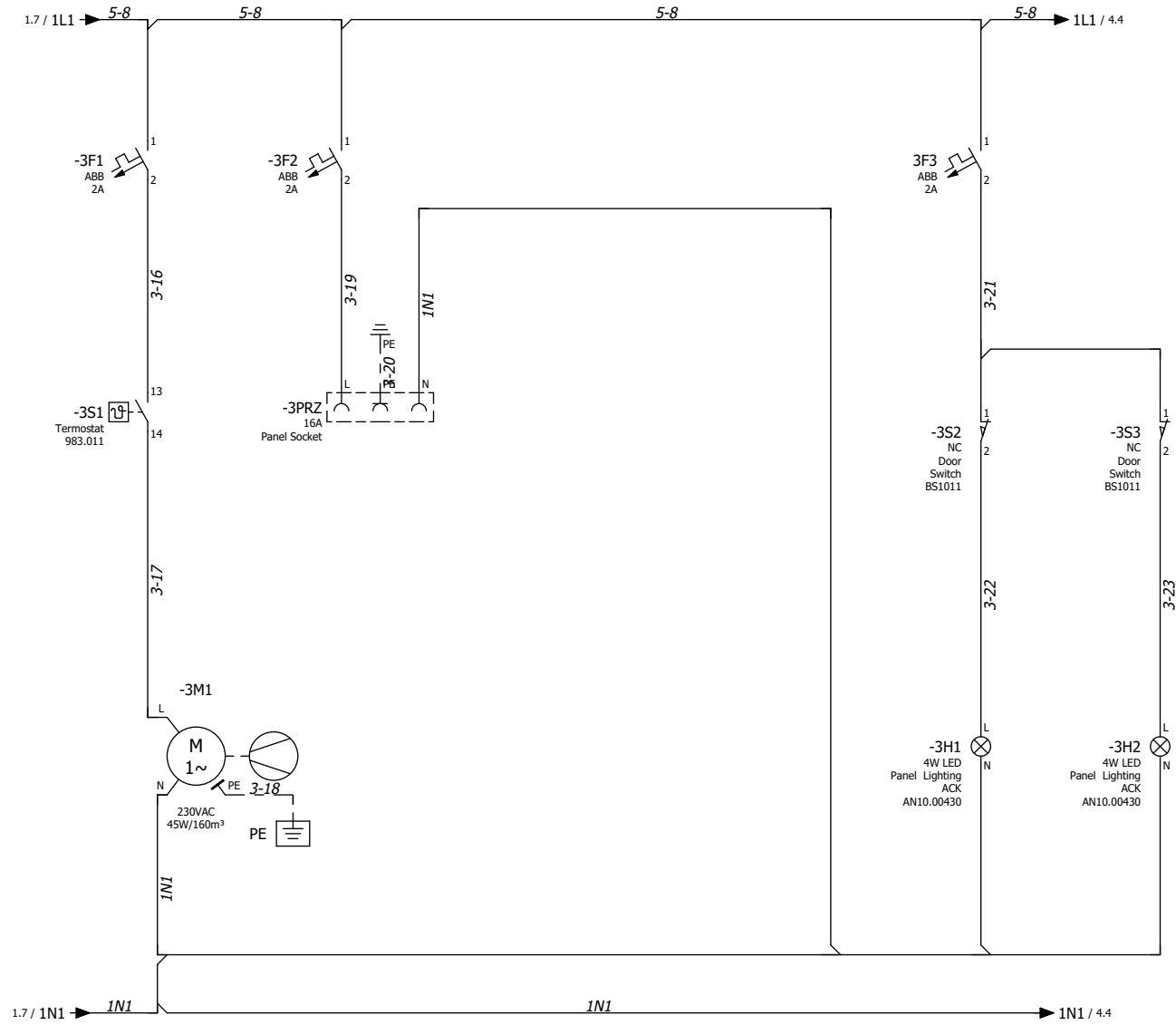
EDITOR	Simge NALBANTOĞLU
DATE	
CONTROLLER	Barış DEMİR





EDITOR	Simge NALBANTOĞLU
DATE	
CONTROLLER	Barış DEMİR

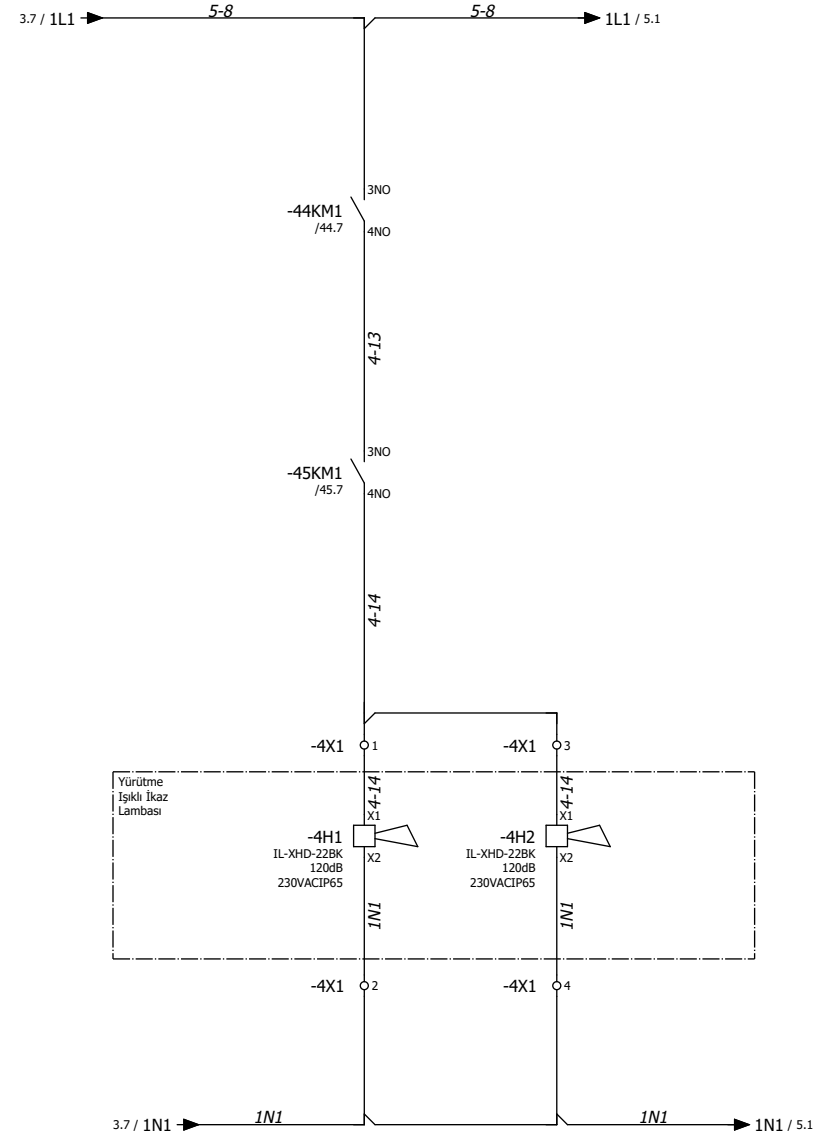


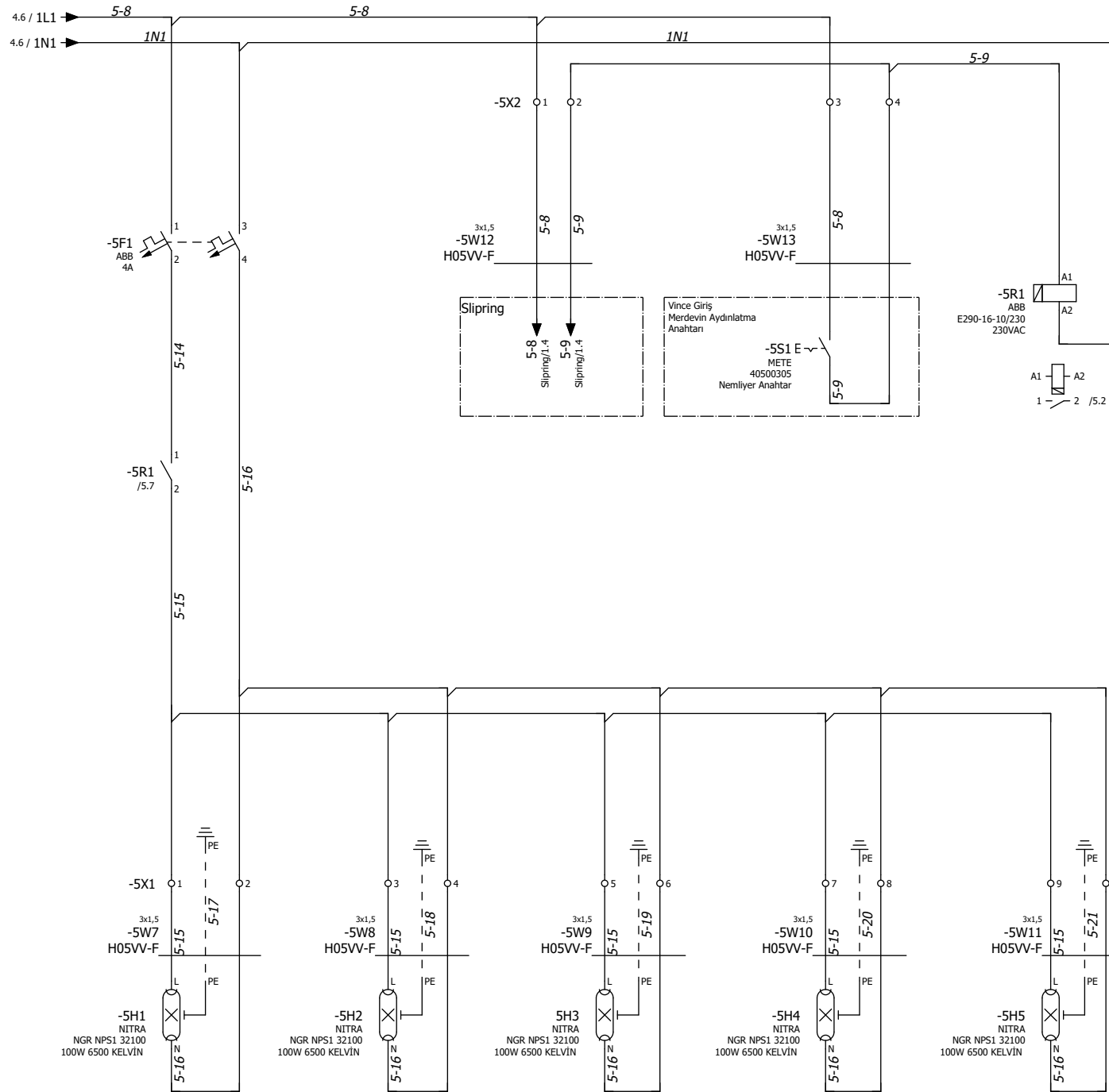


EDITOR	Simge NALBANTOĞLU
DATE	
CONTROLLER	Barış DEMİR



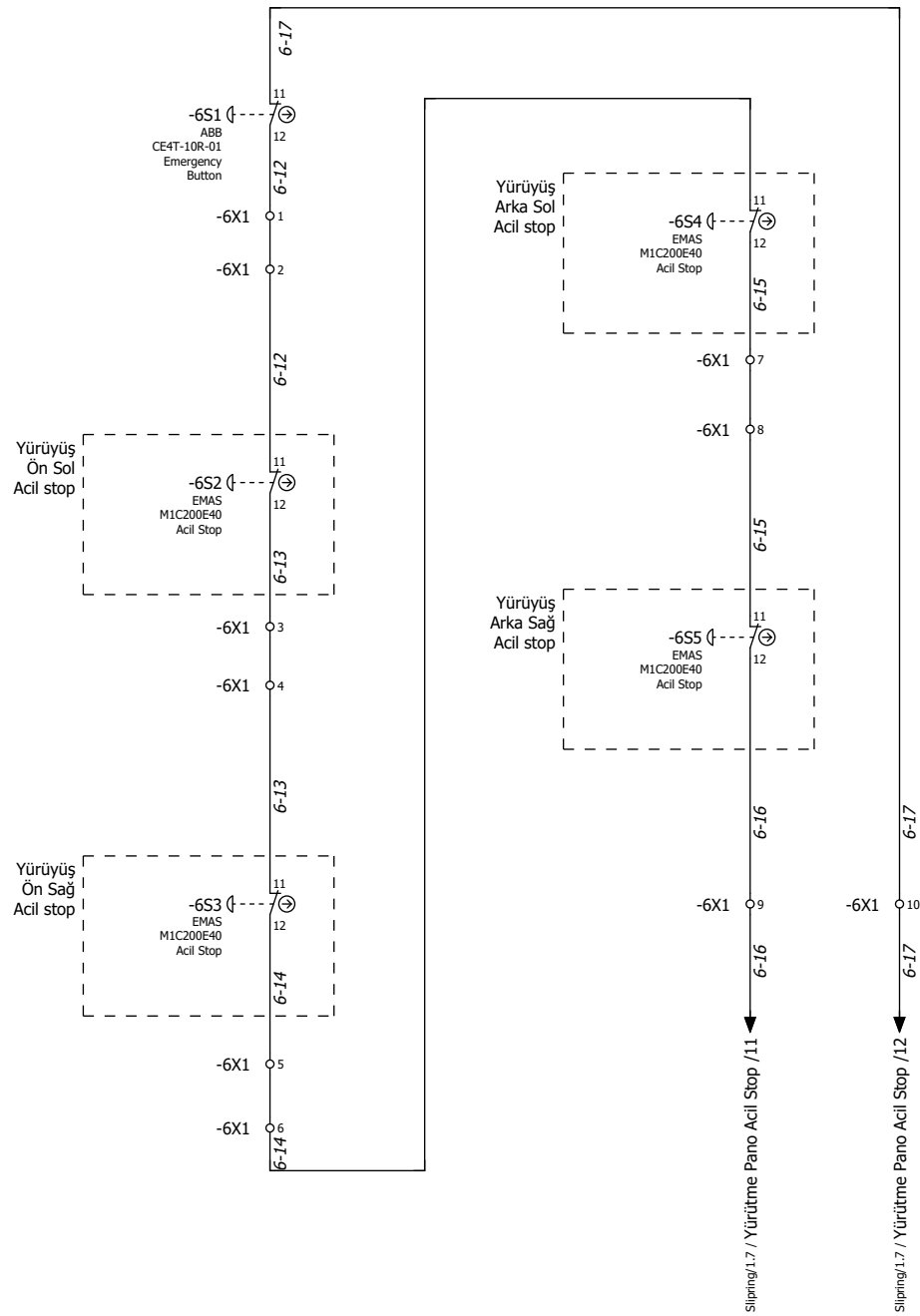
= 00SMC00GH00x
+ SMC00
Page / 3
102





EDITOR	Simge NALBANTOĞLU
DATE	
CONTROLLER	Barış DEMİR





EDITOR	Simge NALBANTOĞLU
DATE	
CONTROLLER	Barış DEMİR

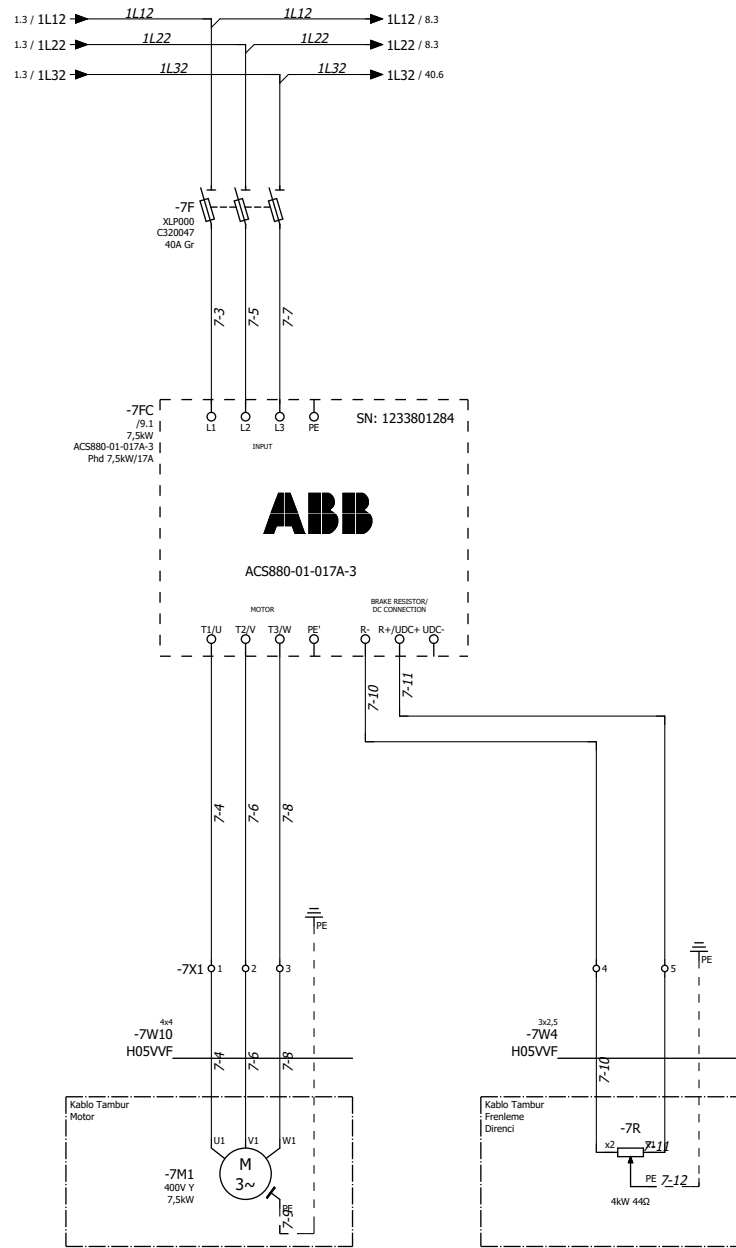


ADS23-295 BEŞİKTAŞ TERSANESİ

Saha Acil Stop

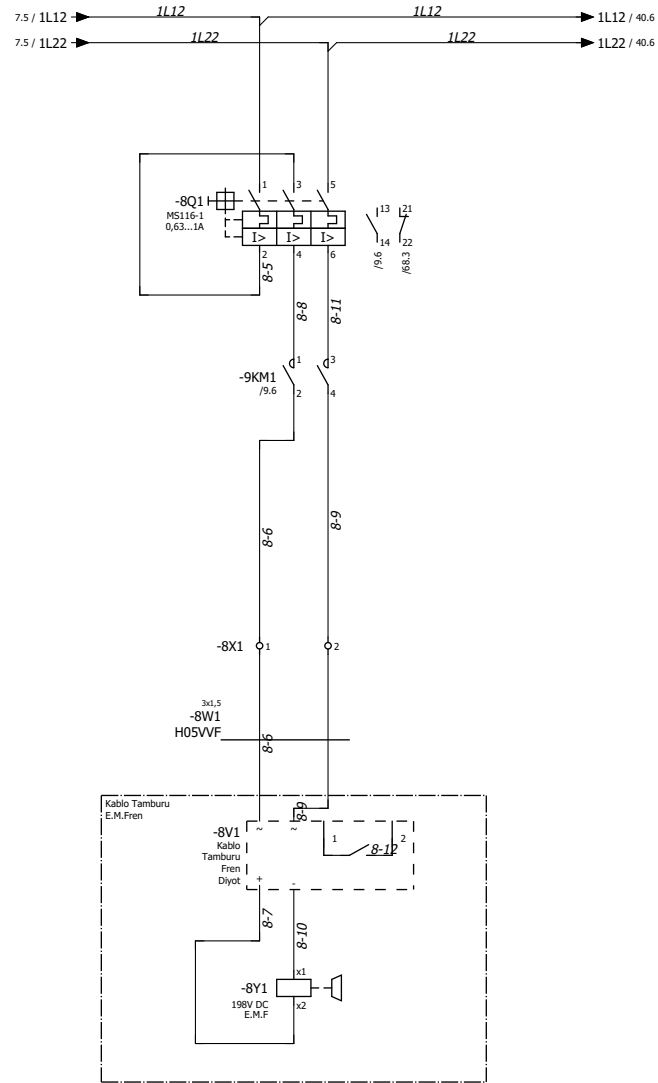
Yürütme Panosu

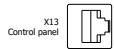
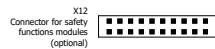
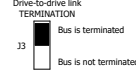
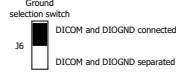
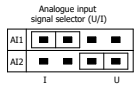
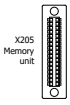
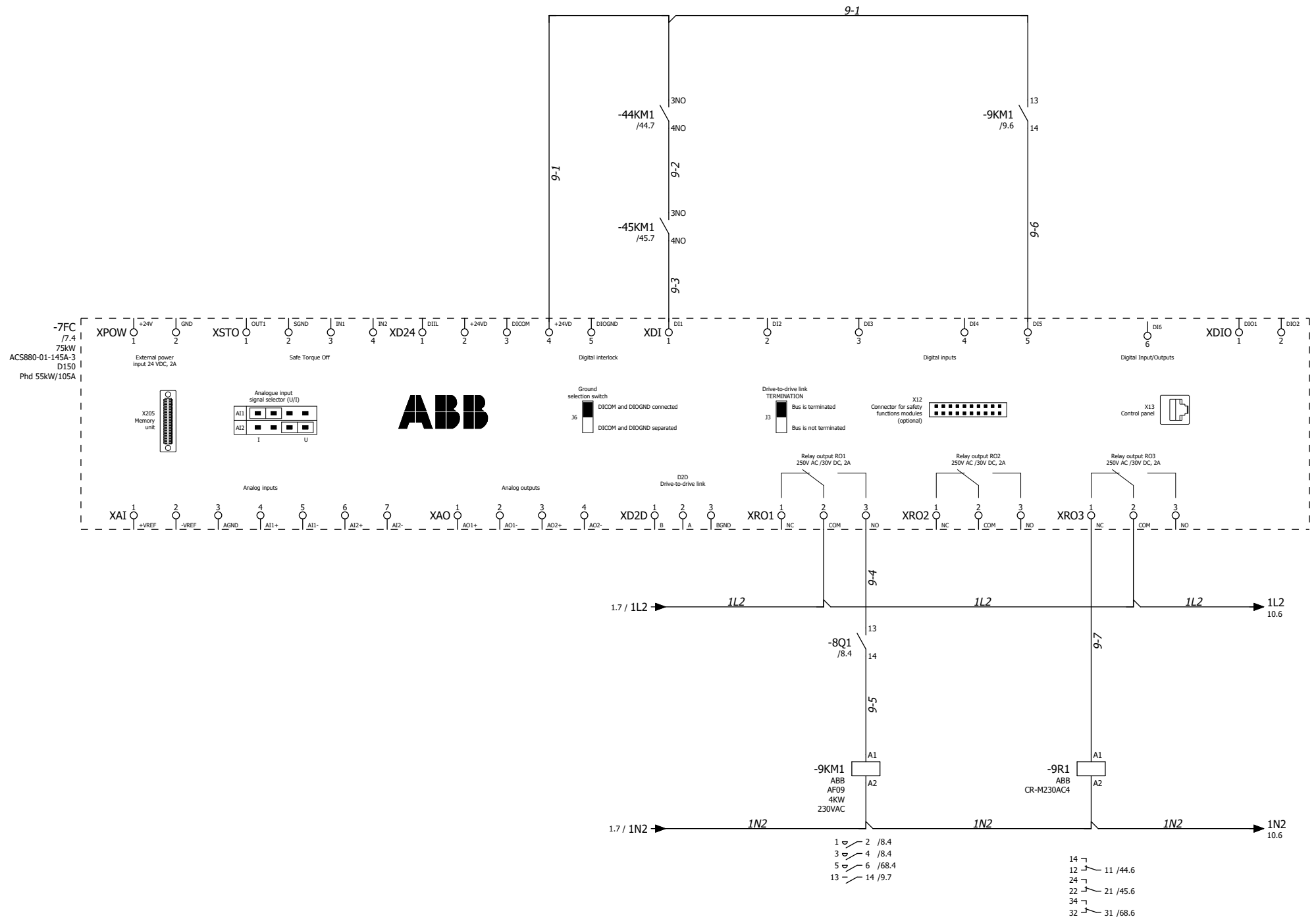
= 00SMC00GH00x
+ SMC00
Page / 6
105



EDITOR	Simge NALBANTOĞLU
DATE	
CONTROLLER	Barış DEMİR





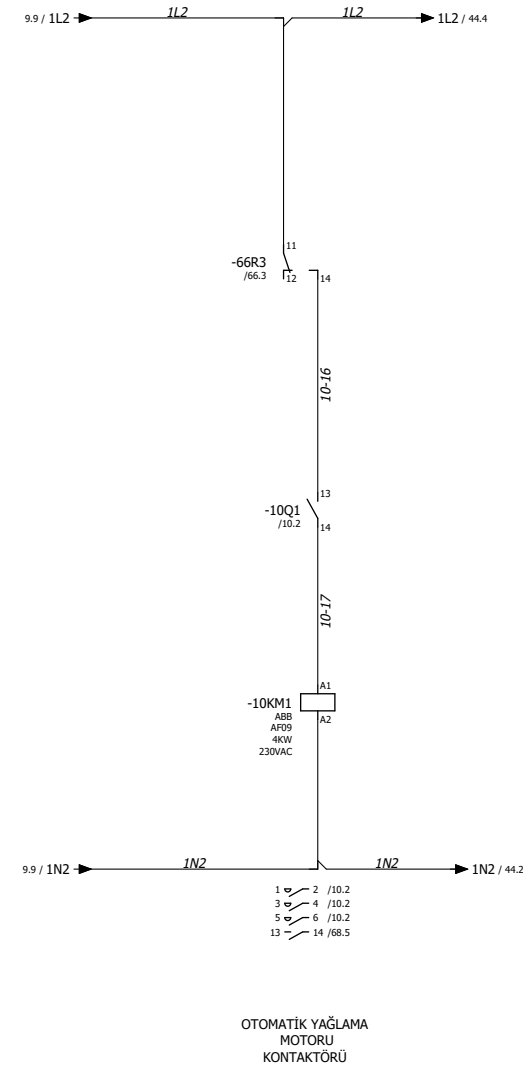
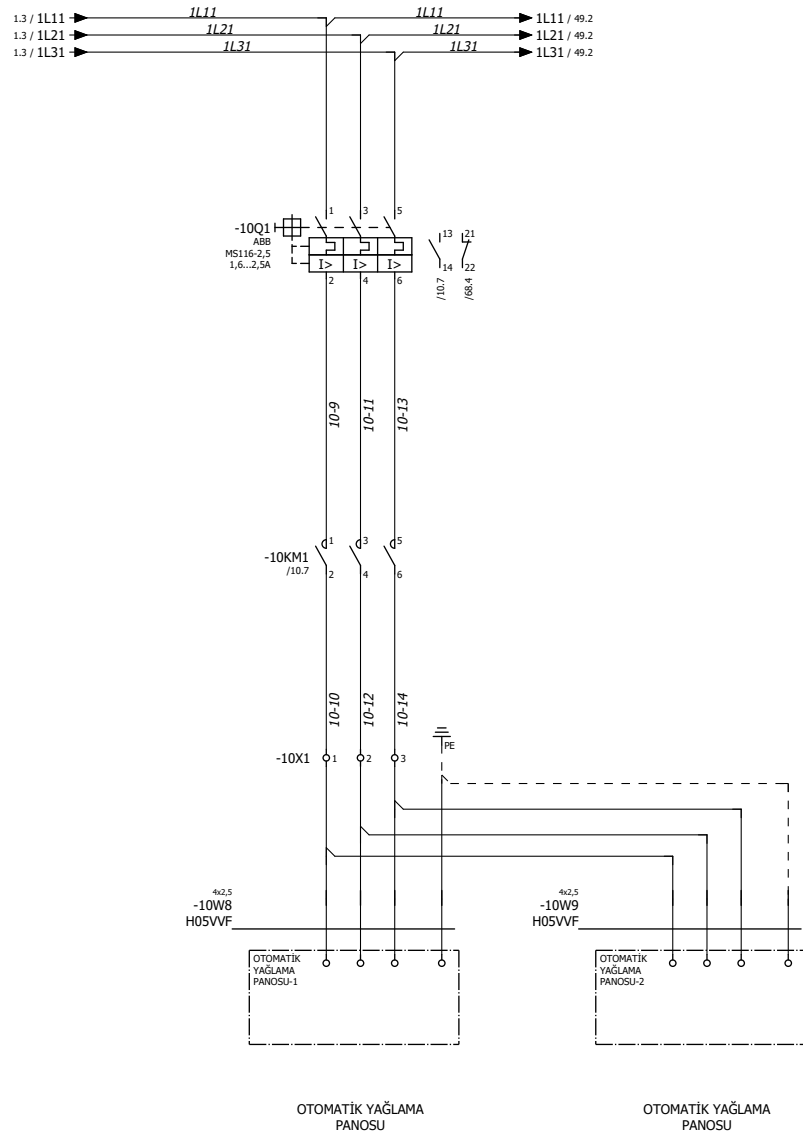


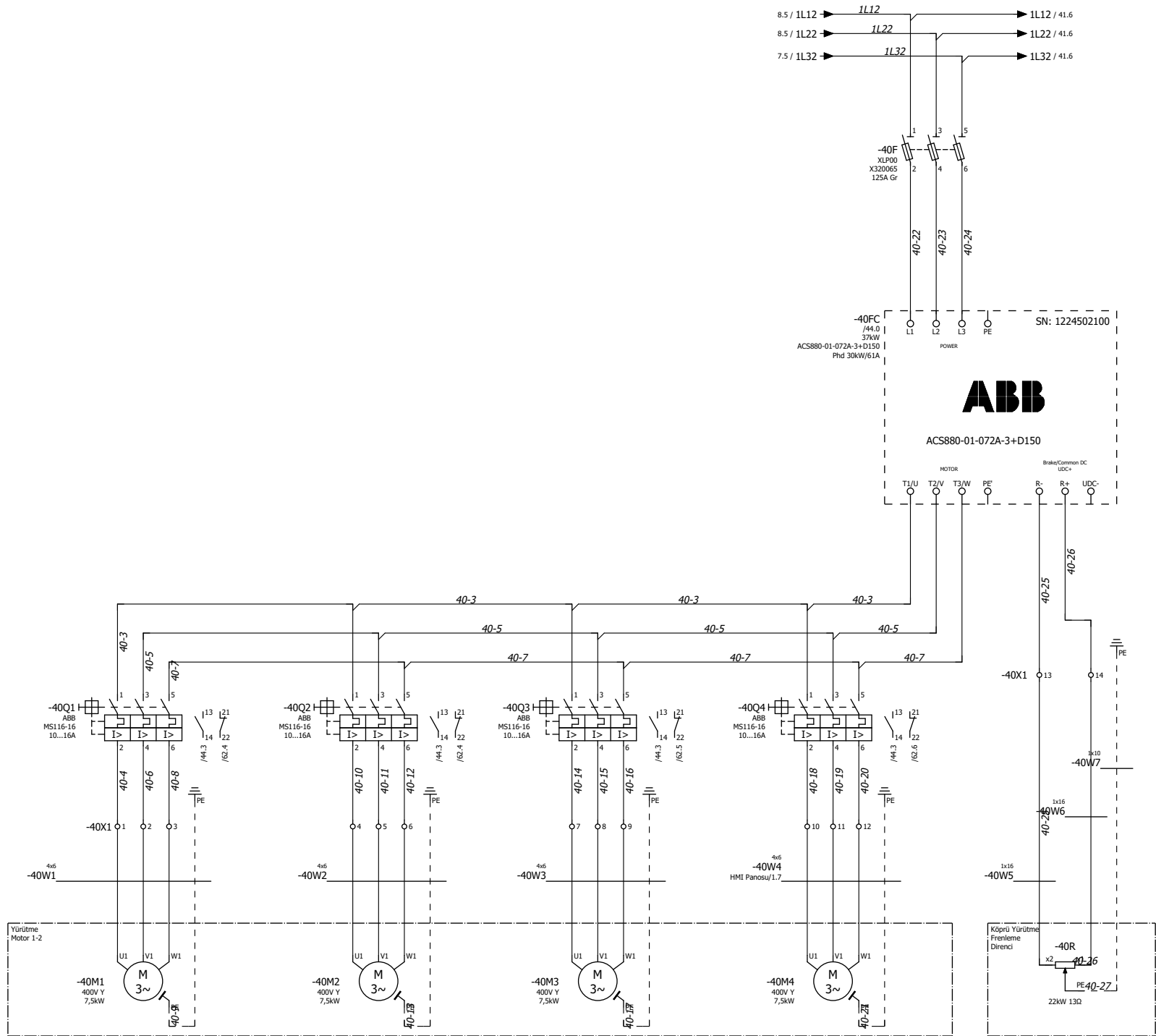
- 1 2 / 8.4
- 3 4 / 8.4
- 5 6 / 68.4
- 13 14 / 9.7

- 14 11 / 44.6
- 12 21 / 45.6
- 24 31 / 68.6
- 32

EDITOR	Simge NALBANTOĞLU
DATE	
CONTROLLER	Barış DEMİR

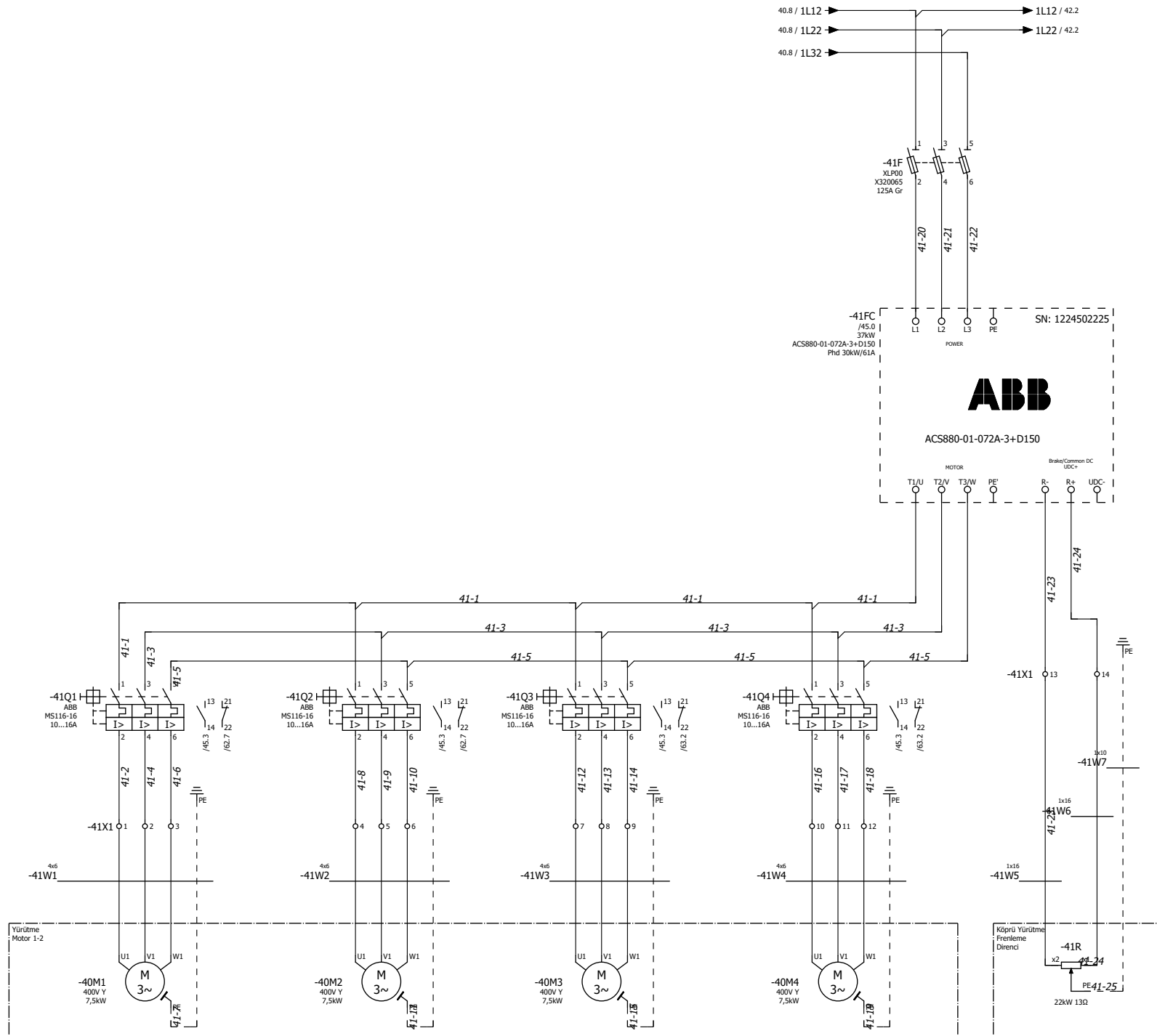






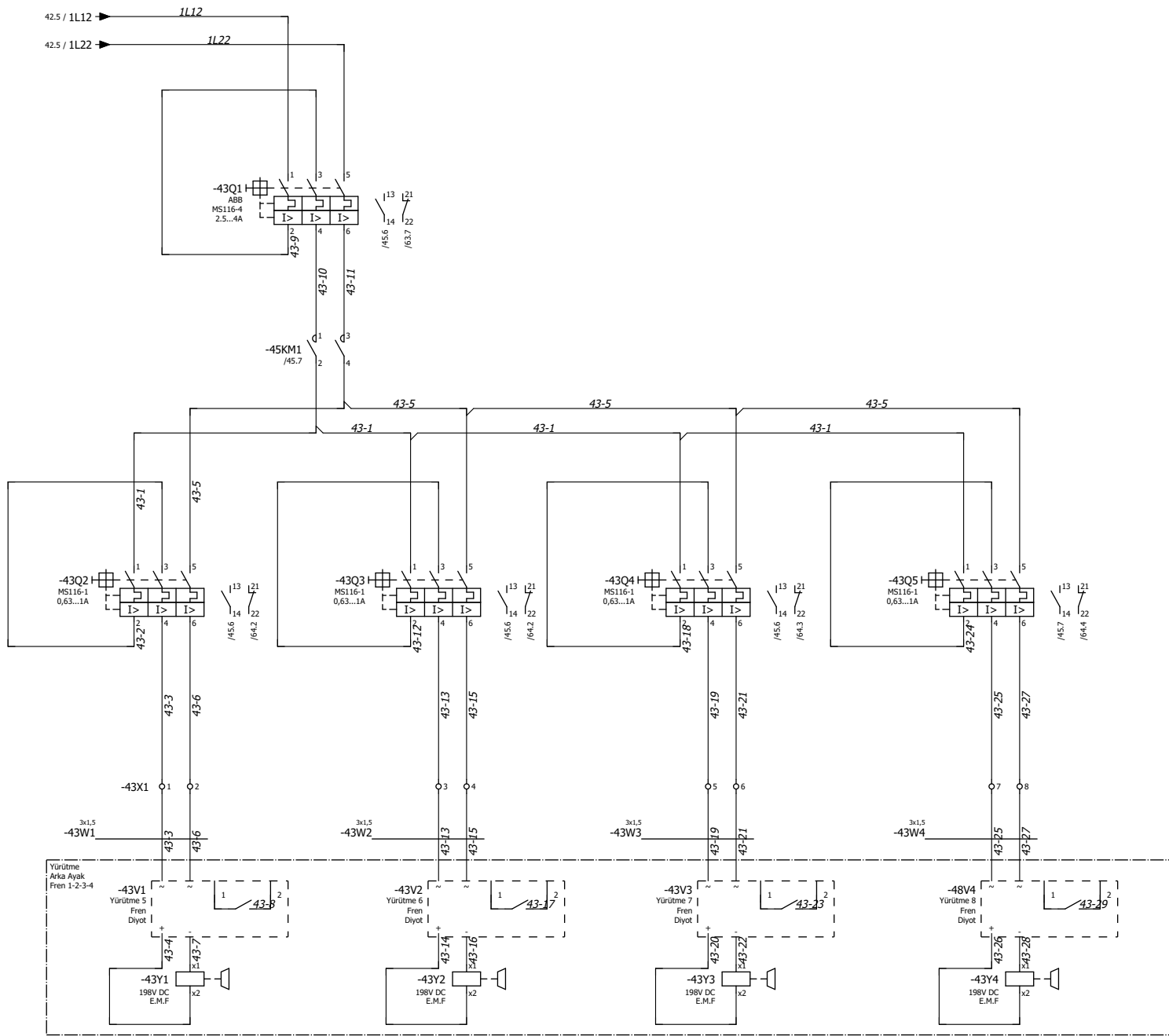
EDITOR	Simge NALBANTOĞLU
DATE	
CONTROLLER	Barış DEMİR





EDITOR	Simge NALBANTOĞLU
DATE	
CONTROLLER	Barış DEMİR

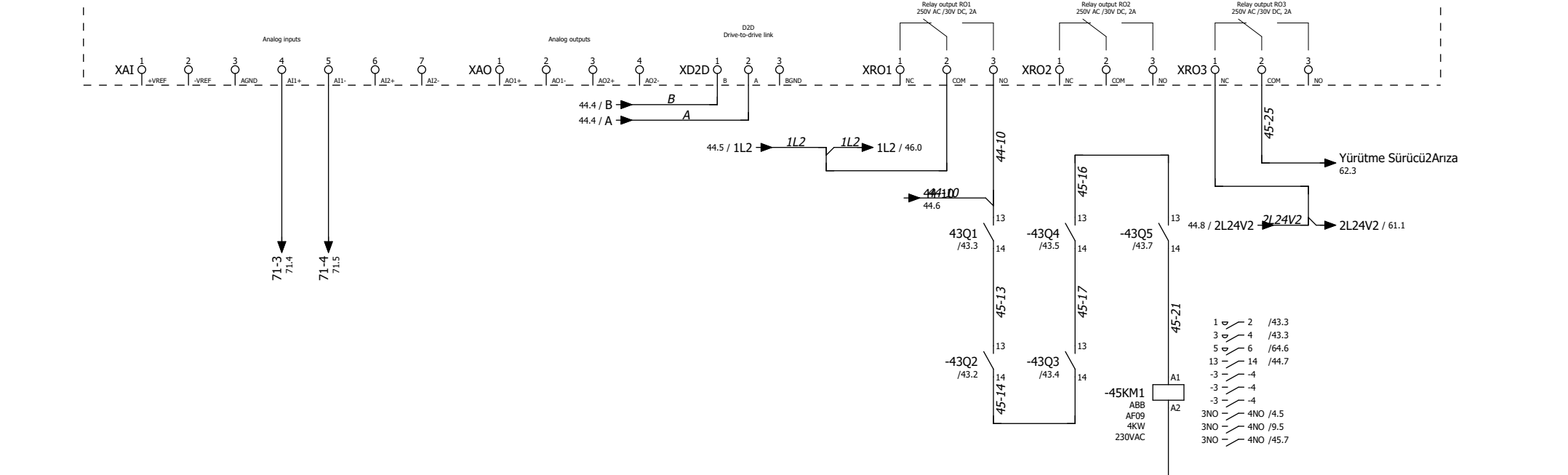
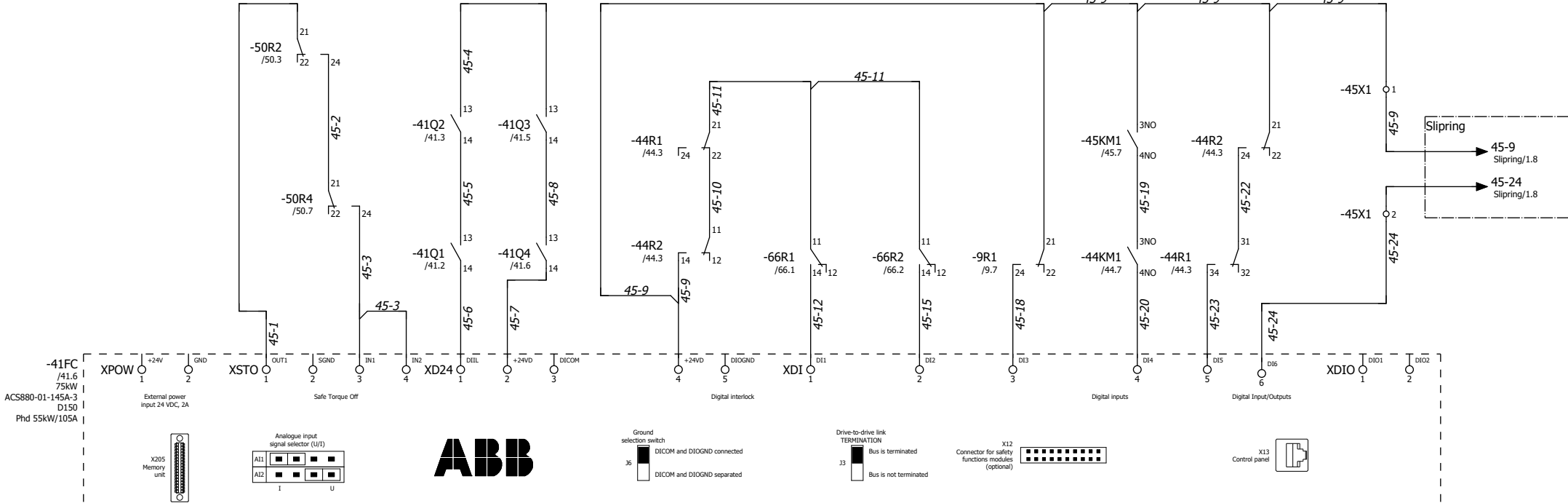




EDITOR	Simge NALBANTOĞLU
DATE	
CONTROLLER	Barış DEMİR



Yürütme İleri Başlat Yürütme Geri Başlat Tambur Sürücüsü Yürütme Fren Master Follower



EDITOR	Simge NALBANTOĞLU
DATE	
CONTROLLER	Barış DEMİR

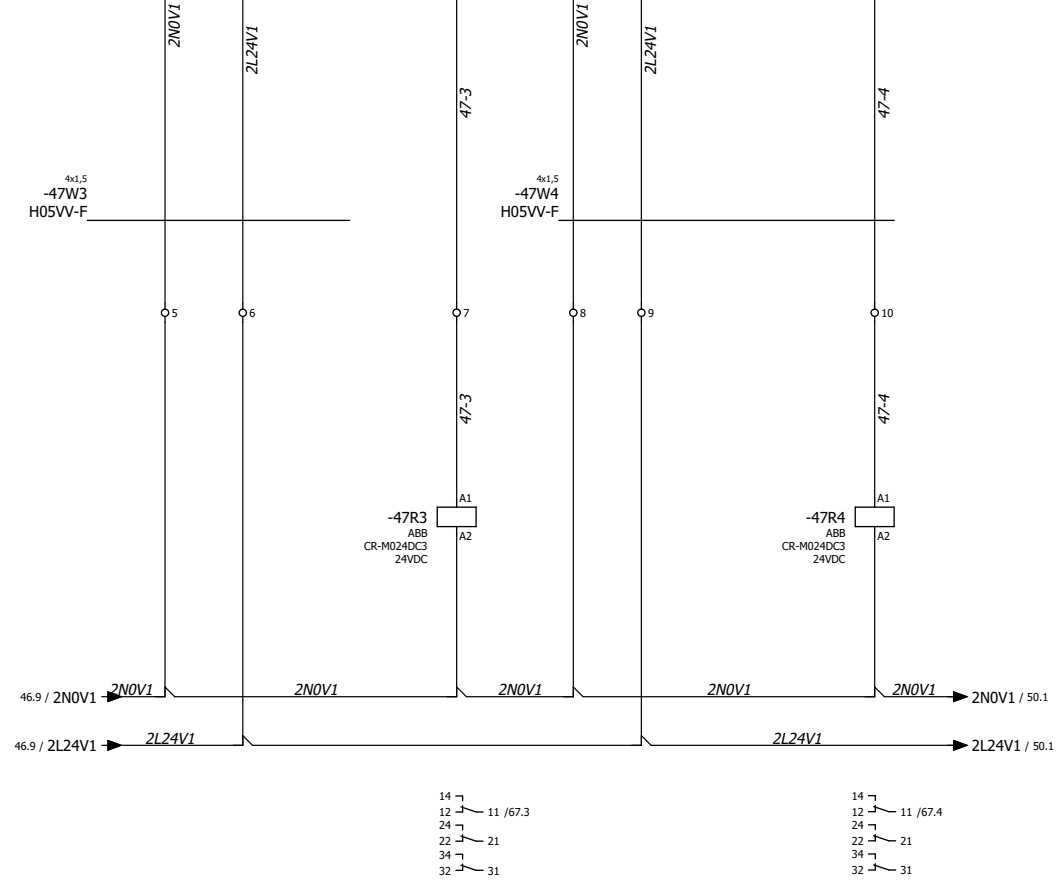
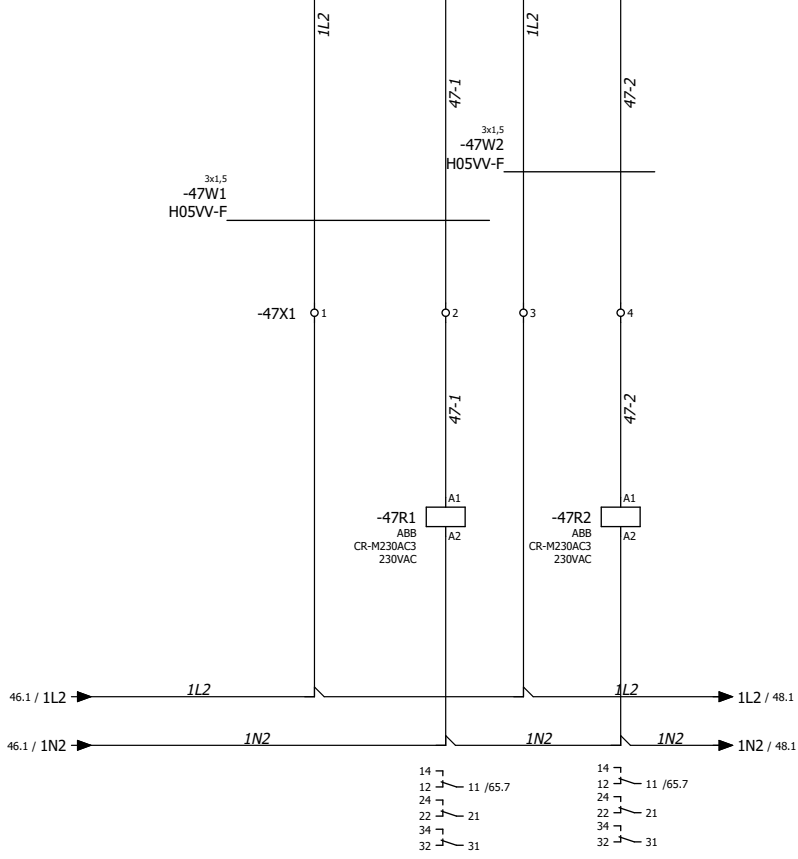
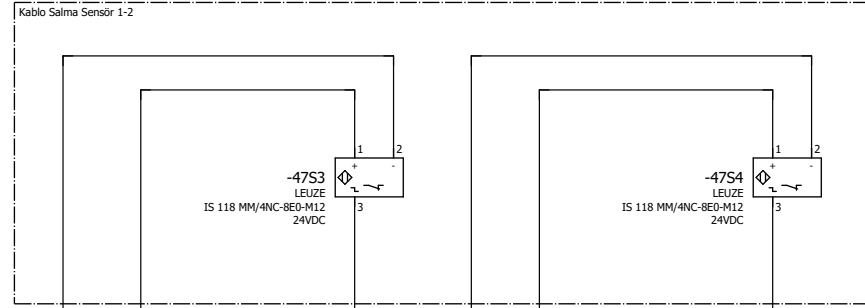
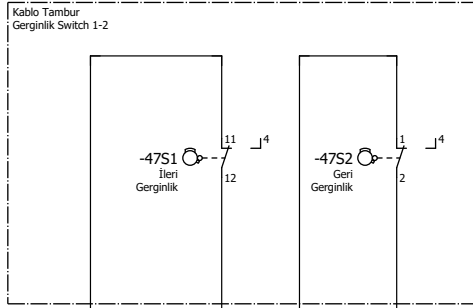


ADS23-295 BEŞİKTAŞ TERSANESİ

Yürütme 2 Kontrol Devresi

Yürütme Panosu

= 00SMC00GH00x
+ SMC00
Page / 45
115



EDITOR	Simge NALBANTOĞLU
DATE	
CONTROLLER	Barış DEMİR

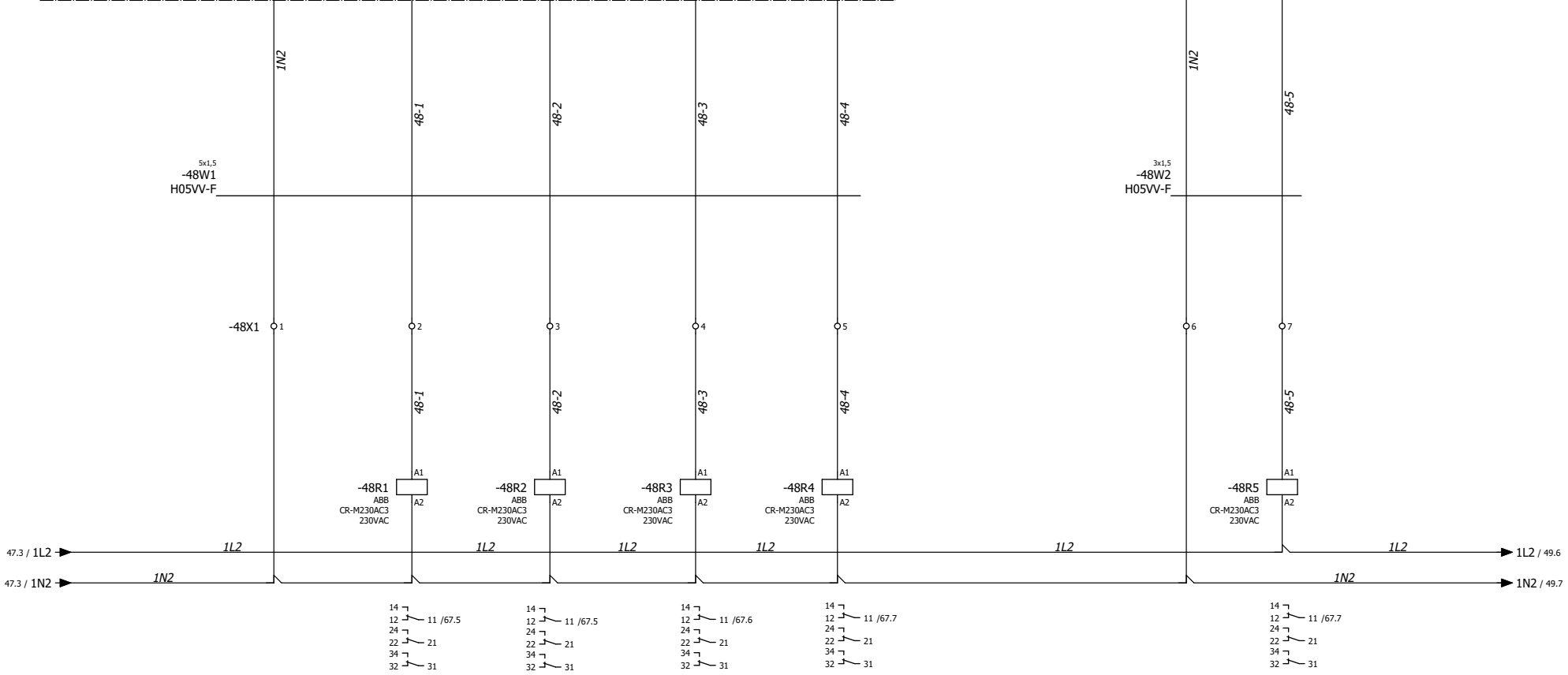
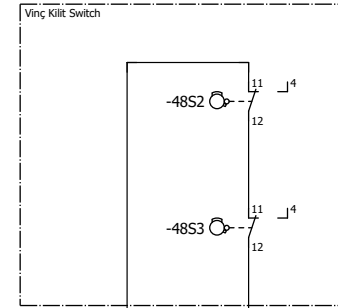
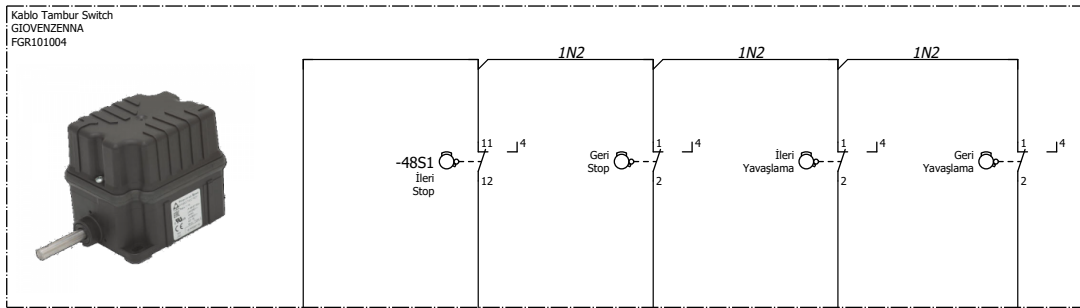


ADS23-295 BEŞİKTAŞ TERSANESİ

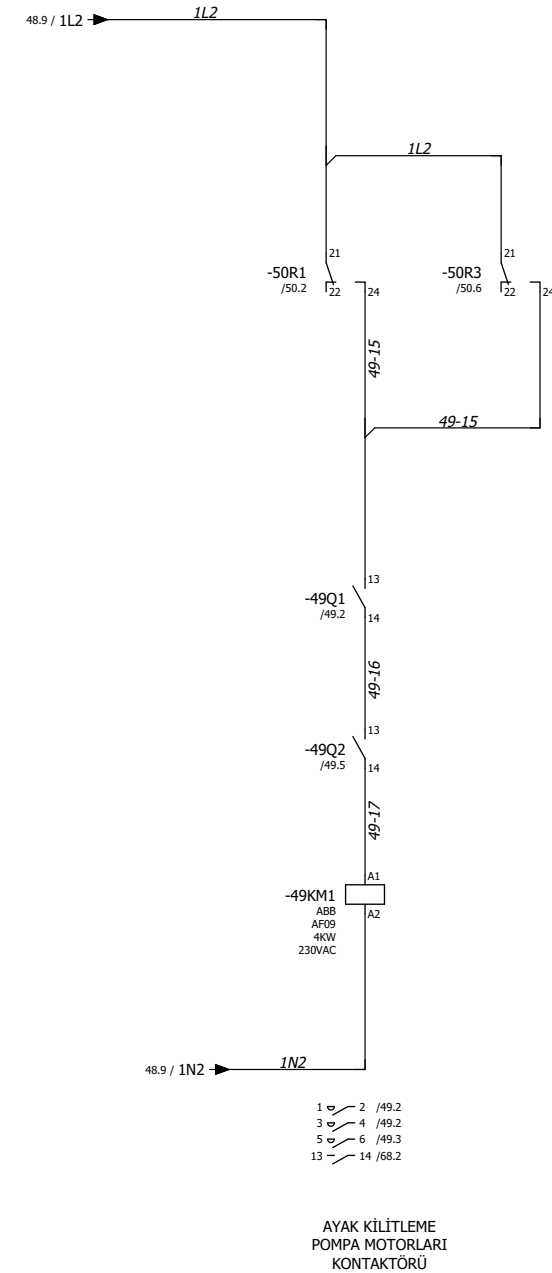
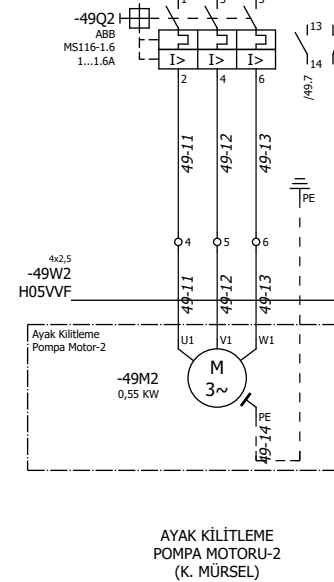
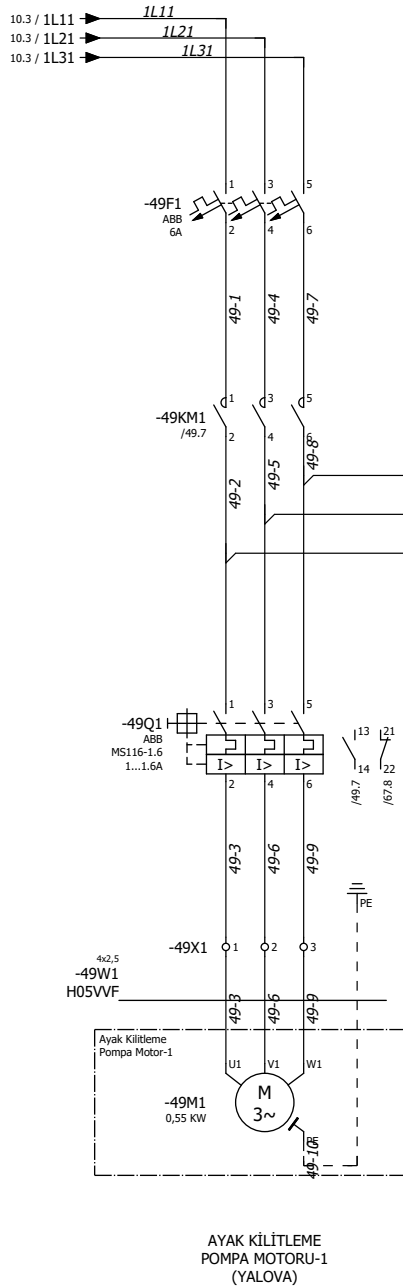
Kablo Tamburu Gerginlik Switch

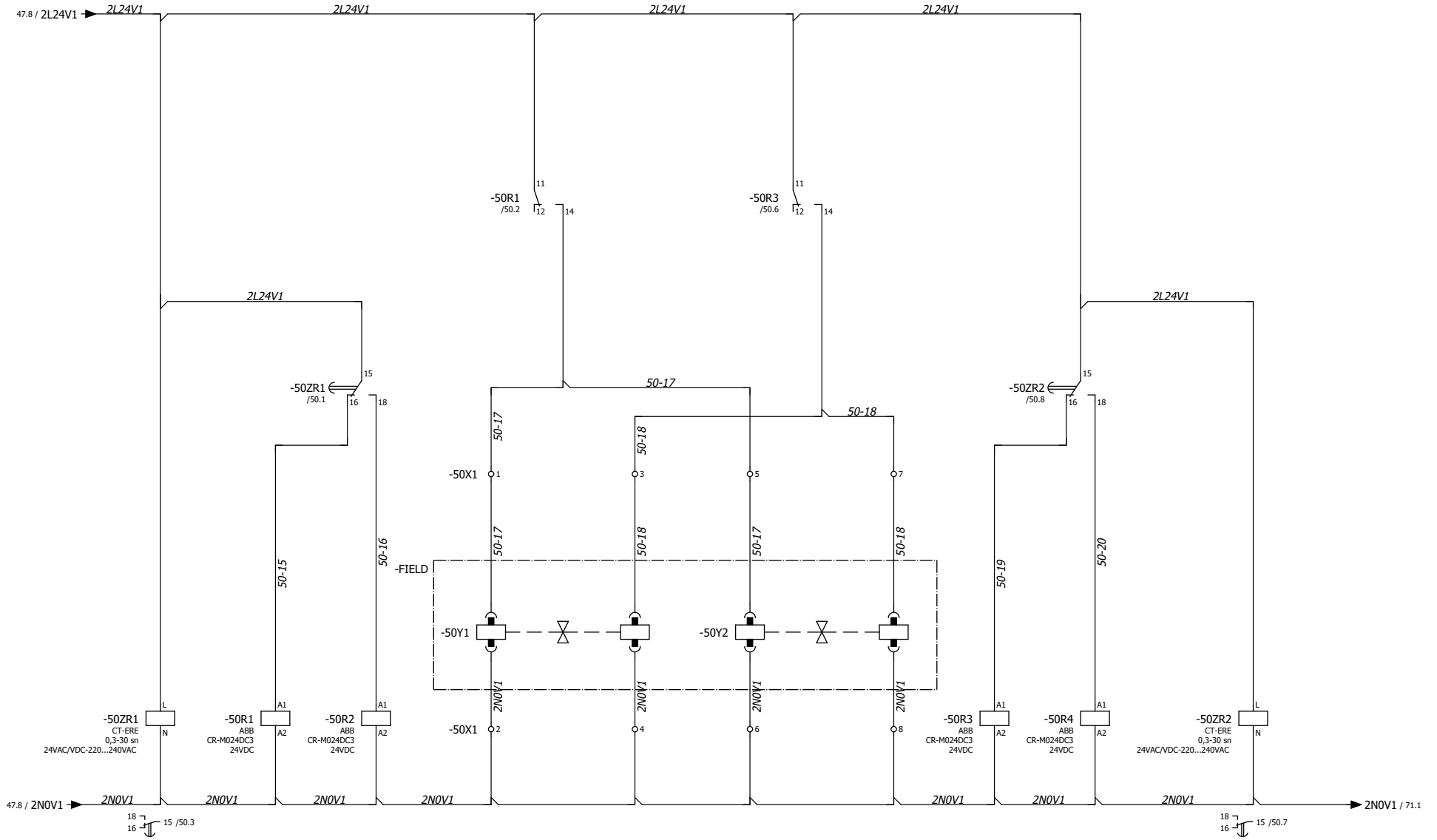
Yürütme Panosu

= 00SMC00GH00x
+ SMC00
Page / 47
117



Kablo Tambur İleri Stop Kablo Tambur Geri Stop Kablo Tambur İleri Yavaşlama Kablo Tambur Geri Yavaşlama





KAPATMA
ZAMAN
RÖLESİ

KAPATMA
RÖLESİ

KAPATTI
RÖLESİ

KİLİT VALFİ
KAPATMA
(YALOVA)

KİLİT VALFİ
AÇMA
(YALOVA)

KİLİT VALFİ
KAPATMA
(K. MÜRSEL)

KİLİT VALFİ
AÇMA
(K. MÜRSEL)

AÇMA
RÖLESİ

AÇTI
RÖLESİ

AÇMA
ZAMAN
RÖLESİ

14 ↗
12 ↘ 11 /50.4
24 ↗
22 ↘ 21 /49.7
34 ↗
32 ↘ 31

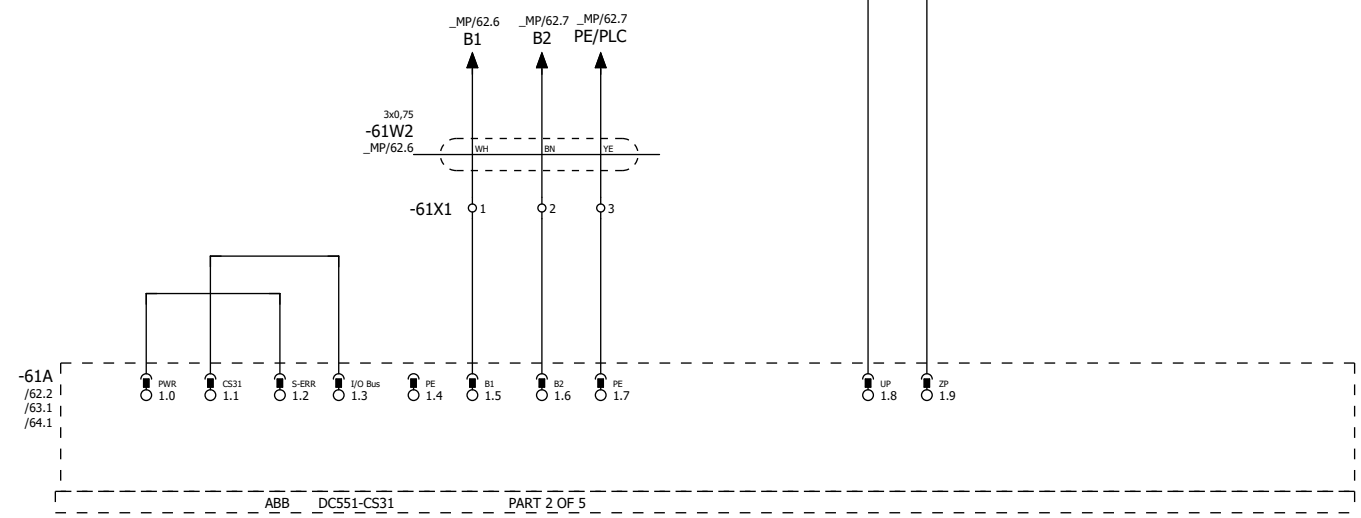
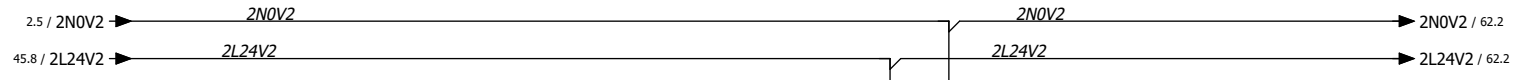
14 ↗
12 ↘ 11 /44.2
24 ↗
22 ↘ 21 /45.2
34 ↗
32 ↘ 31

14 ↗
12 ↘ 11 /50.5
24 ↗
22 ↘ 21 /49.8
34 ↗
32 ↘ 31

14 ↗
12 ↘ 11 /44.2
24 ↗
22 ↘ 21 /45.2
34 ↗
32 ↘ 31

EDITOR	Simge NALBANTOĞLU
DATE	
CONTROLLER	Barış DEMİR

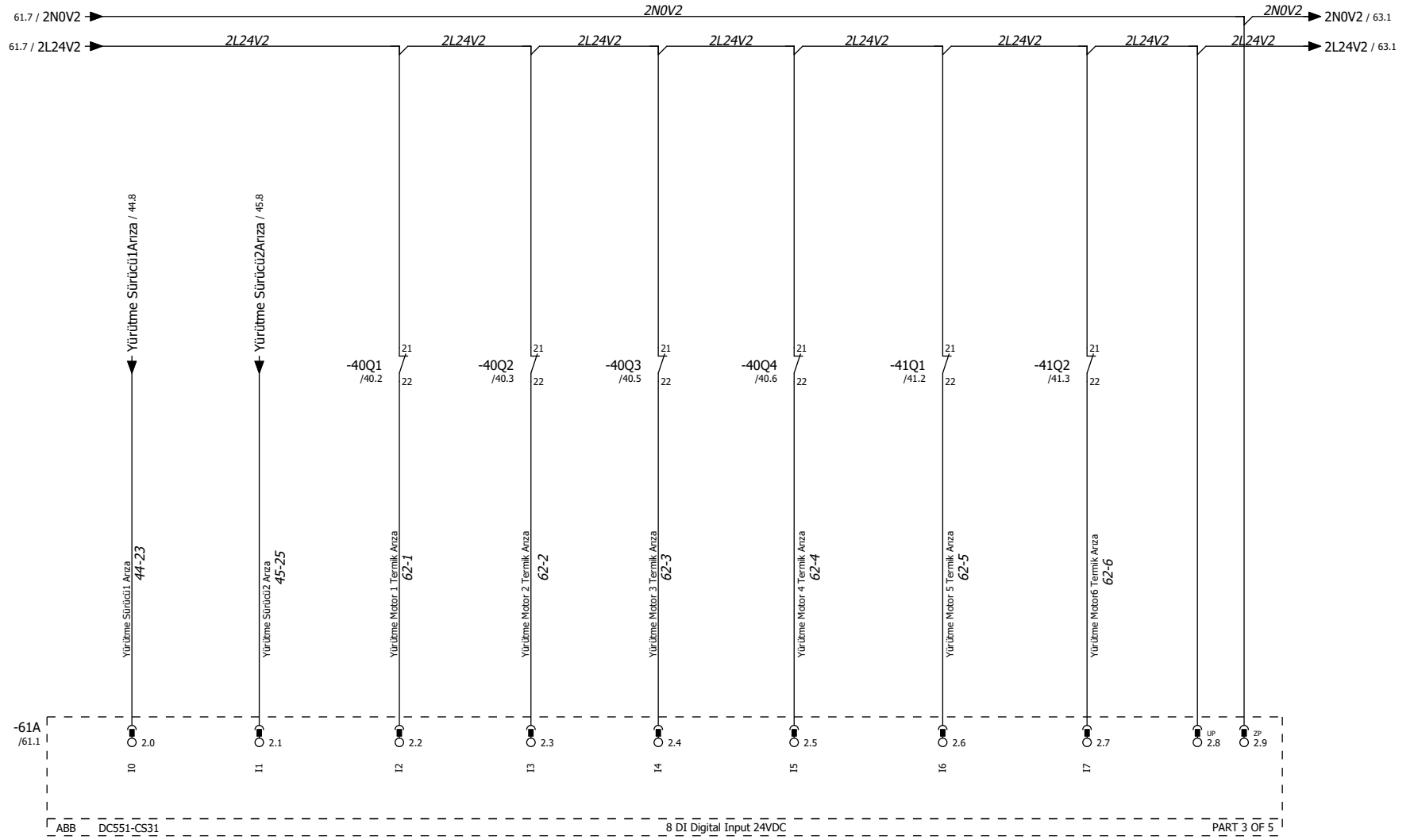


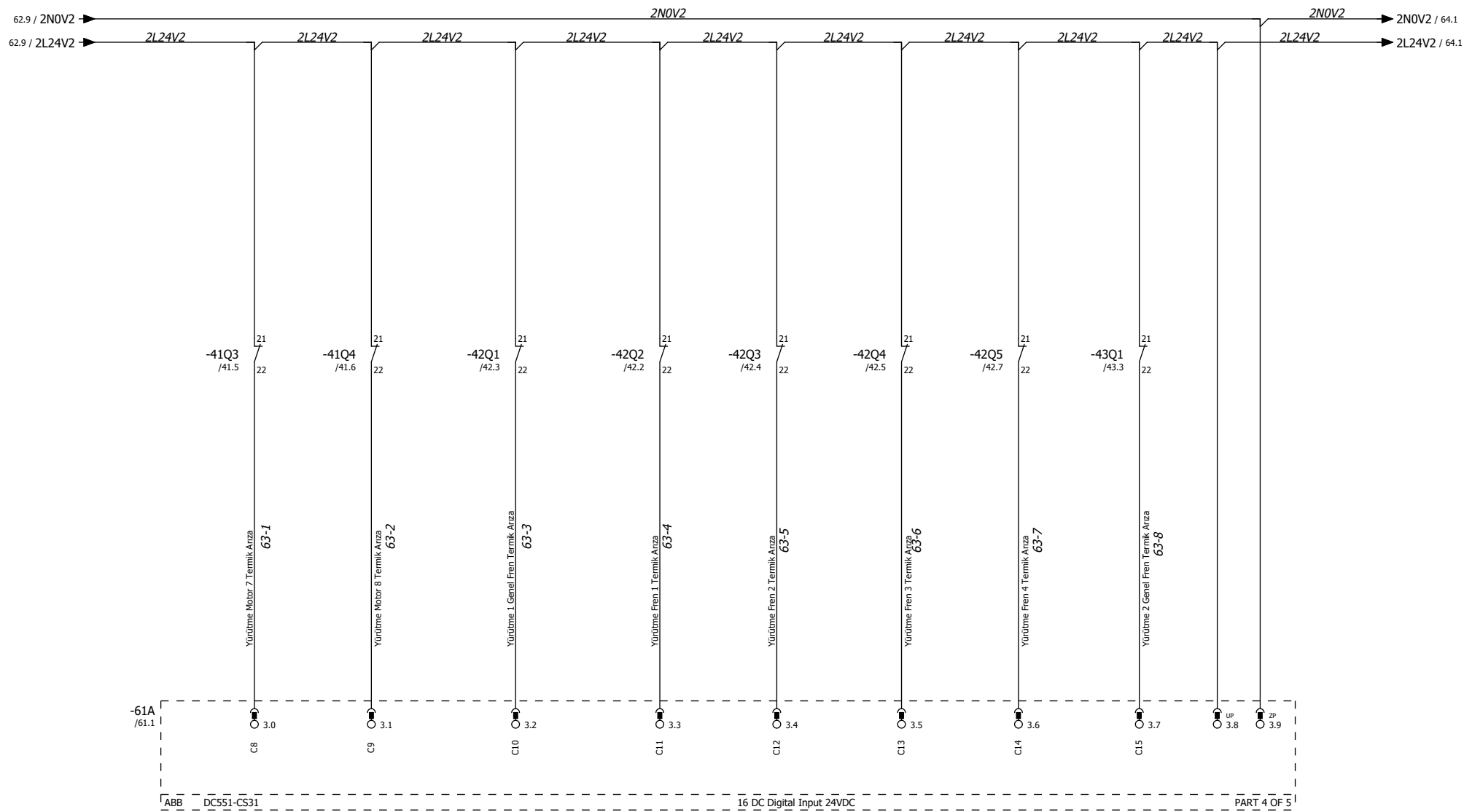


EDITOR	Simge NALBANTOĞLU
DATE	
CONTROLLER	Barış DEMİR



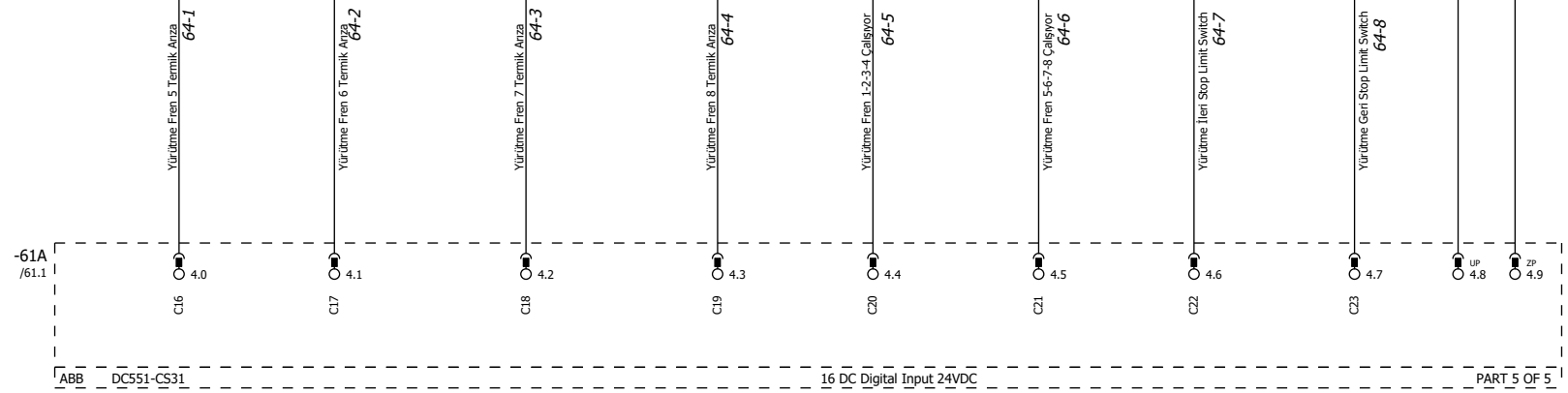
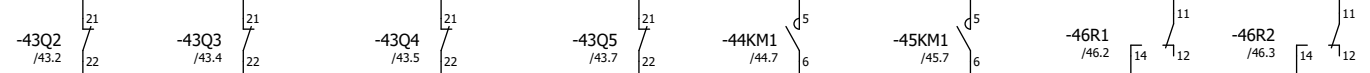
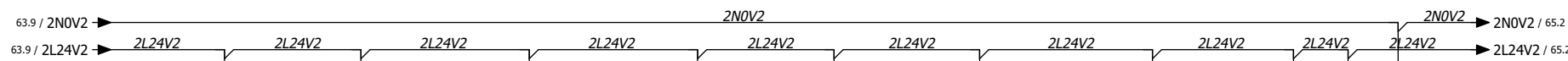
= 00SMC00GH00x
+ SMC00
Page / 61
122





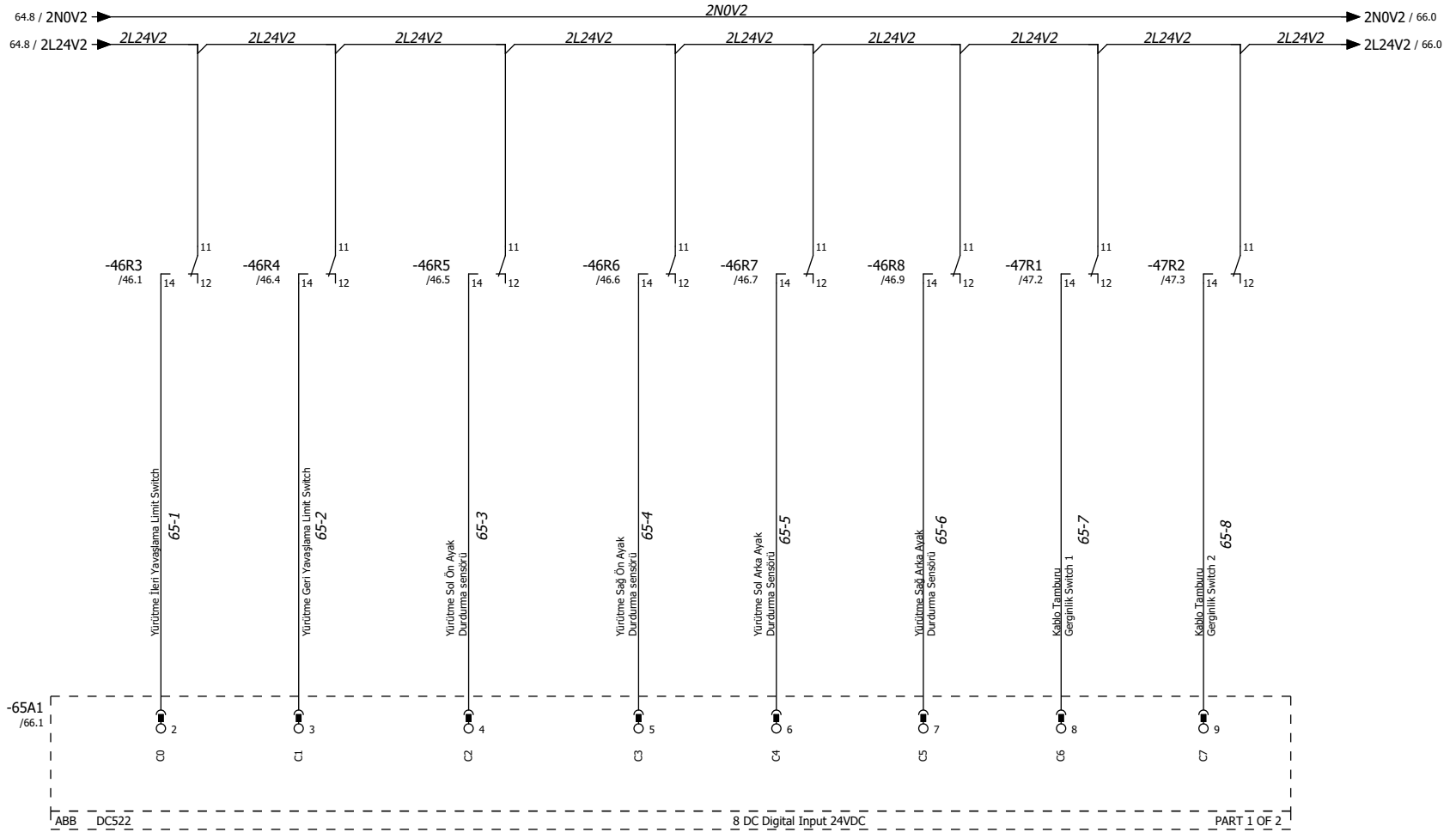
EDITOR	Simge NALBANTOĞLU
DATE	
CONTROLLER	Barış DEMİR

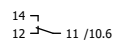
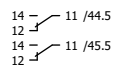
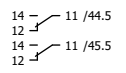
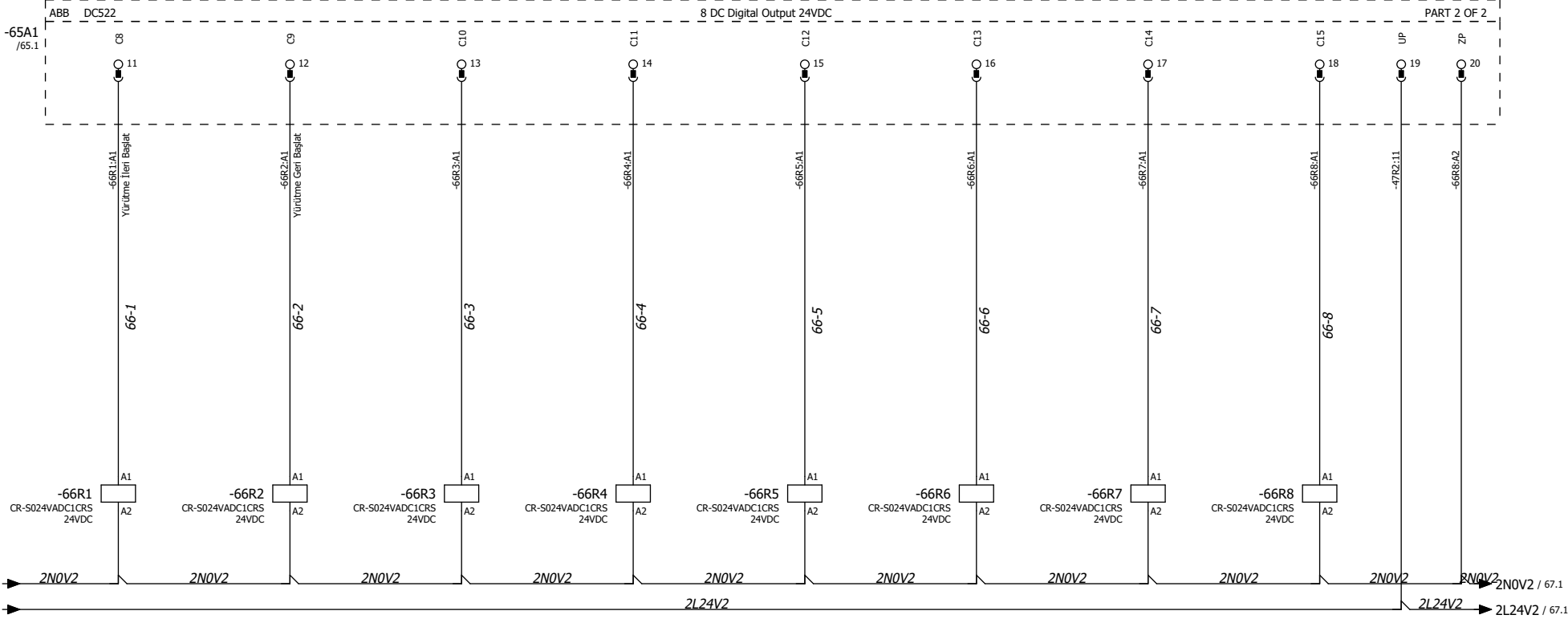




EDITOR	Simge NALBANTOĞLU
DATE	
CONTROLLER	Barış DEMİR

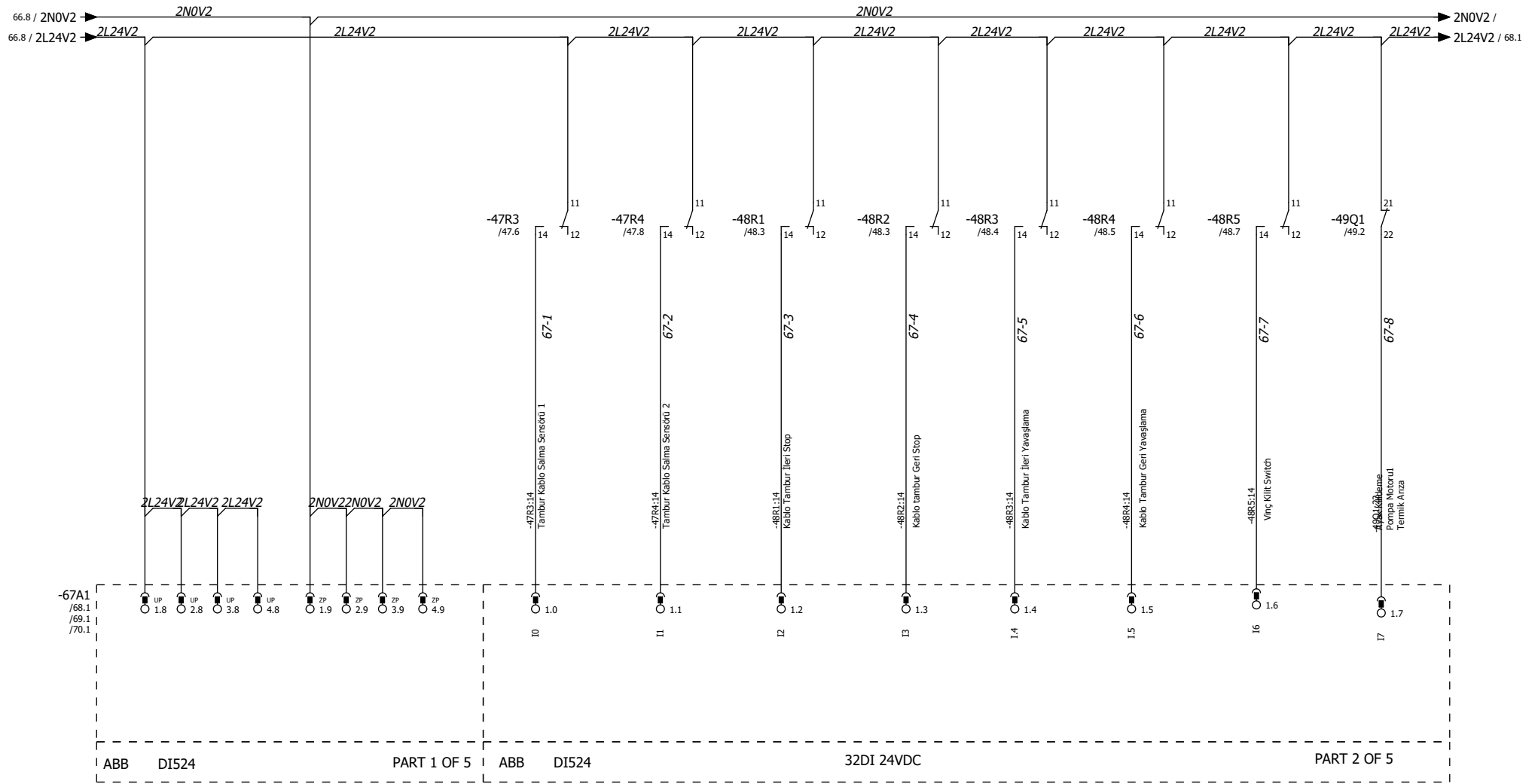






EDITOR	Simge NALBANTOĞLU
DATE	
CONTROLLER	Barış DEMİR

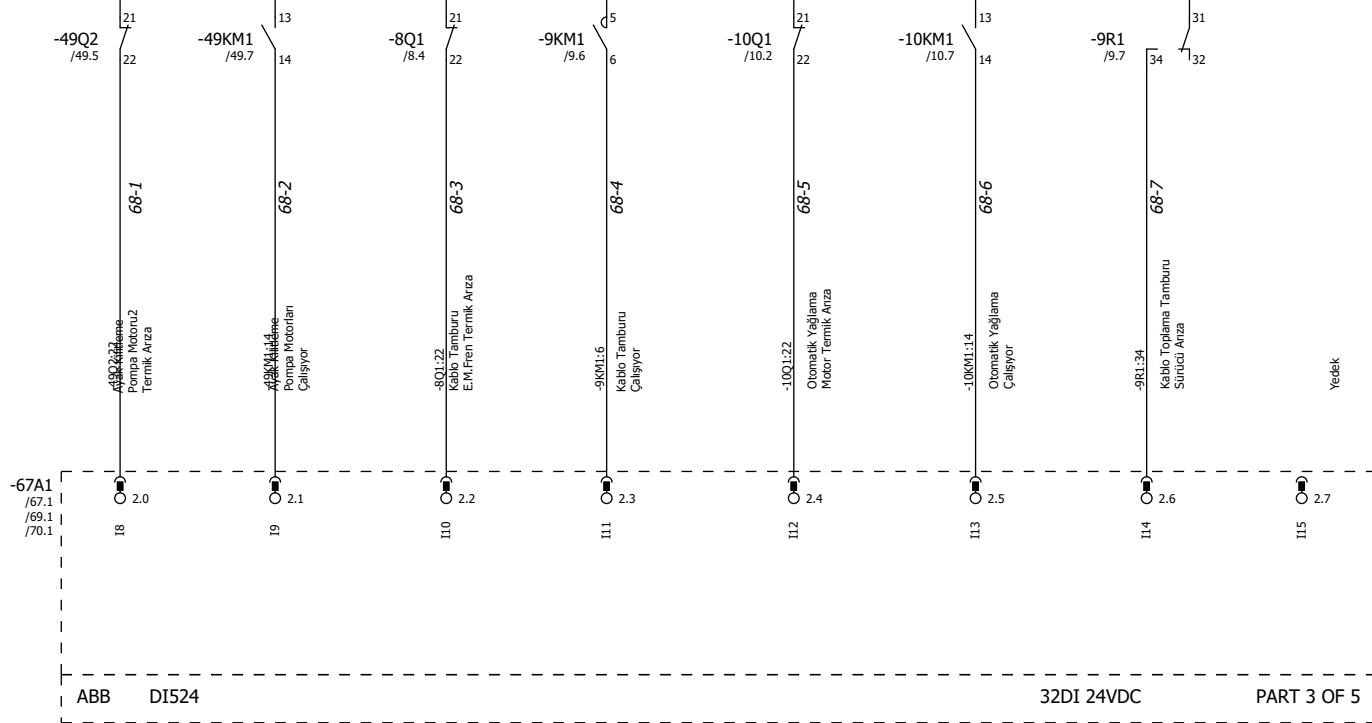




EDITOR	Simge NALBANTOĞLU
DATE	
CONTROLLER	Barış DEMİR



67.9 / 2L24V2 → 2L24V2 2L24V2 2L24V2 2L24V2 2L24V2 2L24V2 2L24V2 2L24V2 → 2L24V2 / 69.1



EDITOR	Simge NALBANTOĞLU
DATE	
CONTROLLER	Barış DEMİR



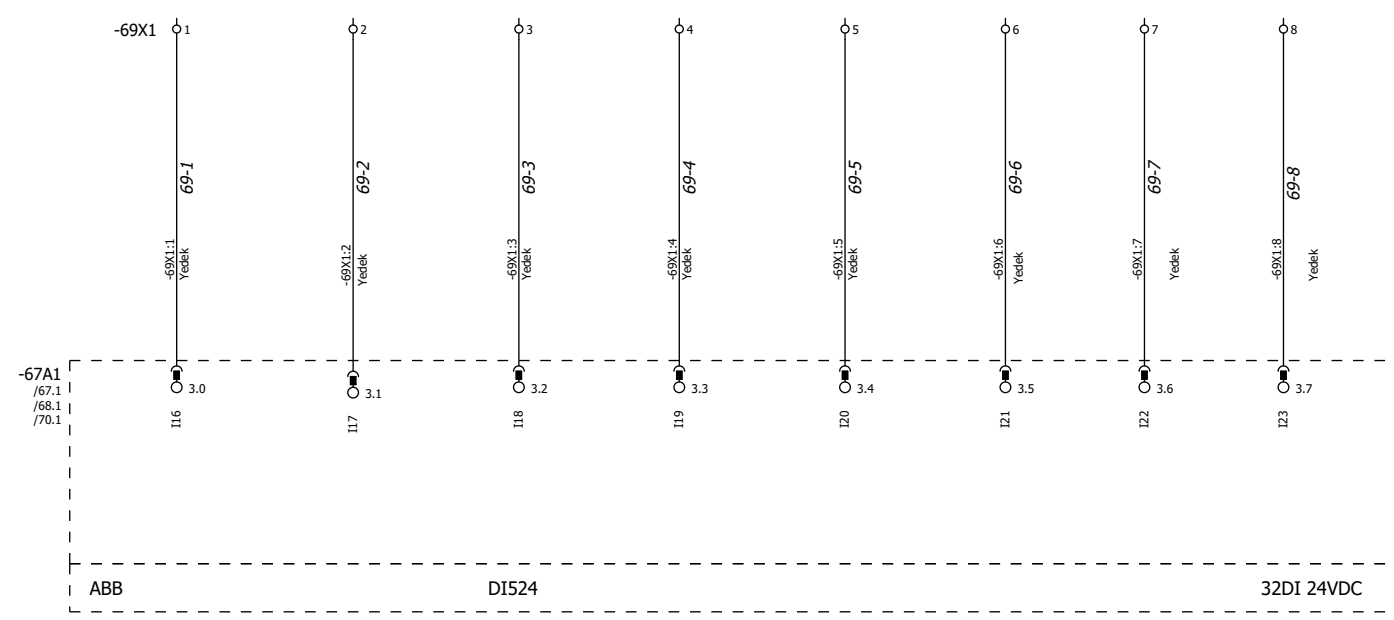
ADS23-295 BEŞİKTAŞ TERSANESİ

KART1/DI524/DI32

Yürütme Panosu

= 00SMC00GH00x
+ SMC00
Page / 68
129

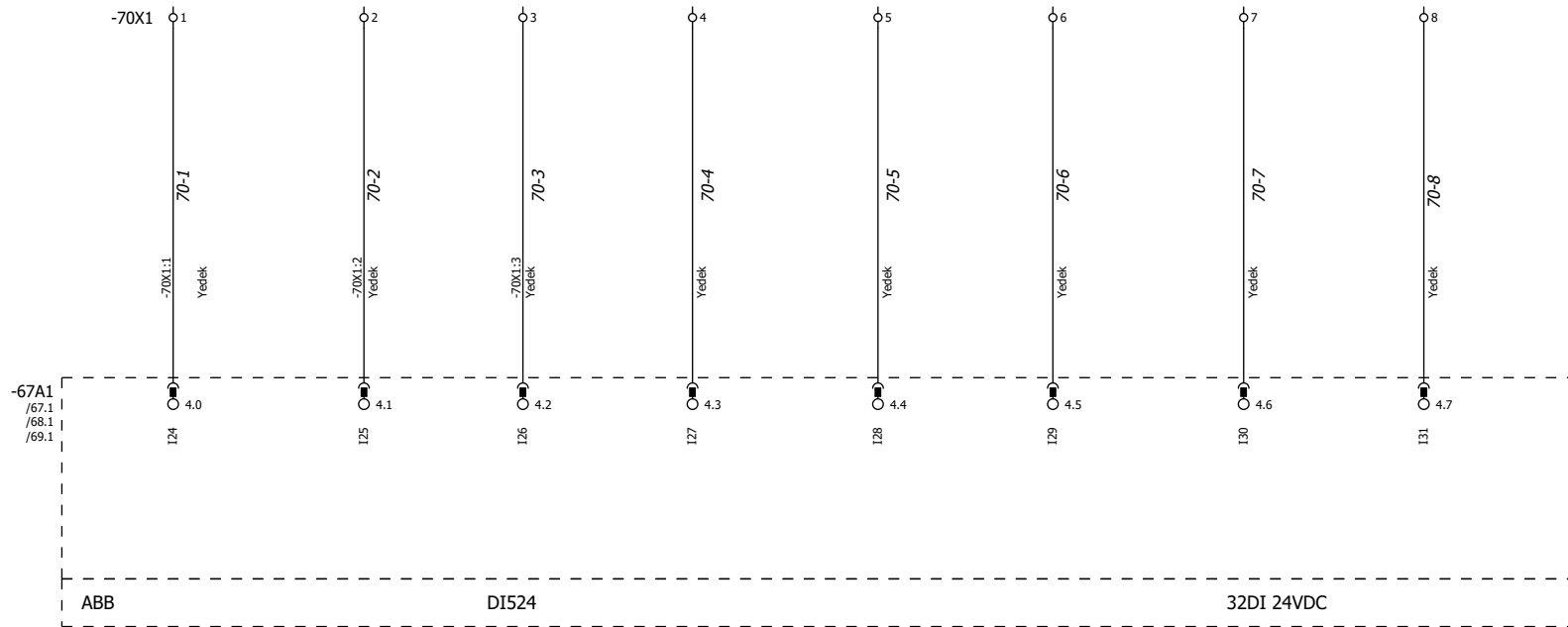
68.7 / 2L24V2 → 2L24V2 → 2L24V2 / 70.1



EDITOR	Simge NALBANTOĞLU
DATE	
CONTROLLER	Barış DEMİR



69.7 / 2L24V2 → 2L24V2 → 2L24V2 /



EDITOR	Simge NALBANTOĞLU
DATE	
CONTROLLER	Barış DEMİR



