

Higher level function	Mounting location	Page	Page description	Document No	Ind	Date	Name
=00SMC00GH00x	+SMC00	1	Beşiktaş Yüzer Havuz	Table of Contents	A		K.O
=00SMC00GH00x	+SMC00	2	Beşiktaş Yüzer Havuz	Table of Contents	A		K.O
=00SMC00GH00x	+SMC00	2	Beşiktaş Yüzer Havuz	Part List	A		K.O
=00SMC00GH00x	+SMC00	3	Beşiktaş Yüzer Havuz	Part List	A		K.O
=00SMC00GH00x	+SMC00	4	Beşiktaş Yüzer Havuz	Part List	A		K.O
=00SMC00GH00x	+SMC00	5	Beşiktaş Yüzer Havuz	Part List	A		K.O
=00SMC00GH00x	+SMC00	6	Beşiktaş Yüzer Havuz	Part List	A		K.O
=00SMC00GH00x	+SMC00	7	Beşiktaş Yüzer Havuz	Part List	A		K.O
=00SMC00GH00x	+SMC00	1	Beşiktaş Yüzer Havuz	27.01.2022	Ana Pano Yerleşimi	A	K.O
=00SMC00GH00x	+SMC00	1	Beşiktaş Yüzer Havuz	27.012022	Pano Enerji Girişi	A	K.O
=00SMC00GH00x	+SMC00	2	Beşiktaş Yüzer Havuz	27.012022	Kontrol Voltaj Gerilimi	A	K.O
=00SMC00GH00x	+SMC00	3	Beşiktaş Yüzer Havuz	27.012022	Bom Projektör	A	K.O
=00SMC00GH00x	+SMC00	4	Beşiktaş Yüzer Havuz	27.012022	Merdiven Projektör	A	K.O
=00SMC00GH00x	+SMC00	5	Beşiktaş Yüzer Havuz	27.012022	Acil Stop Devresi	A	K.O
=00SMC00GH00x	+SMC00	6	Beşiktaş Yüzer Havuz	27.012022	Elk. Pano Ayd./Vinç İkaz Lamb.	A	K.O
=00SMC00GH00x	+SMC00	7	Beşiktaş Yüzer Havuz	27.012022	Harici Fan Güç Devresi	A	K.O
=00SMC00GH00x	+SMC00	10	Beşiktaş Yüzer Havuz	27.012022	Kanca Güç Devresi	A	K.O
=00SMC00GH00x	+SMC00	11	Beşiktaş Yüzer Havuz	27.012022	Kanca Eldro Fren/E.M.Fren Devresi	A	K.O
=00SMC00GH00x	+SMC00	12	Beşiktaş Yüzer Havuz	27.012022	Kanca Kontrol Devresi	A	K.O
=00SMC00GH00x	+SMC00	13	Beşiktaş Yüzer Havuz	27.012022	Kanca Joystik Devresi	A	K.O
=00SMC00GH00x	+SMC00	14	Beşiktaş Yüzer Havuz	27.012022	Kanca Enkoder	A	K.O
=00SMC00GH00x	+SMC00	15	Beşiktaş Yüzer Havuz	27.012022	Kanca Termistör	A	K.O
=00SMC00GH00x	+SMC00	16	Beşiktaş Yüzer Havuz	27.012022	Kanca Limit Switch Devresi	A	K.O
=00SMC00GH00x	+SMC00	20	Beşiktaş Yüzer Havuz	27.012022	Bom Güç Devresi	A	K.O
=00SMC00GH00x	+SMC00	21	Beşiktaş Yüzer Havuz	27.012022	Bom Eldro Fren/E.M.Fren Devresi	A	K.O
=00SMC00GH00x	+SMC00	22	Beşiktaş Yüzer Havuz	27.012022	Bom Kontrol Devresi	A	K.O
=00SMC00GH00x	+SMC00	23	Beşiktaş Yüzer Havuz	27.012022	Bom Joystik Devresi	A	K.O
=00SMC00GH00x	+SMC00	24	Beşiktaş Yüzer Havuz	27.012022	Bom Enkoder	A	K.O
=00SMC00GH00x	+SMC00	25	Beşiktaş Yüzer Havuz	27.012022	Bom PTC Termistör	A	K.O
=00SMC00GH00x	+SMC00	26	Beşiktaş Yüzer Havuz	27.012022	Bom Limit Siviç	A	K.O
=00SMC00GH00x	+SMC00	30	Beşiktaş Yüzer Havuz	27.012022	Döndürme Güç Devresi	A	K.O
=00SMC00GH00x	+SMC00	31	Beşiktaş Yüzer Havuz	27.012022	Döndürme Eldro Fren/E.M.Fren Devresi	A	K.O
=00SMC00GH00x	+SMC00	32	Beşiktaş Yüzer Havuz	27.012022	Döndürme Kontrol Devresi	A	K.O
=00SMC00GH00x	+SMC00	33	Beşiktaş Yüzer Havuz	27.012022	Döndürme Joystik Devresi	A	K.O
=00SMC00GH00x	+SMC00	34	Beşiktaş Yüzer Havuz	27.012022	Döndürme PTC Termistör	A	K.O
=00SMC00GH00x	+SMC00	40	Beşiktaş Yüzer Havuz	27.012022	Yürütme Joystik Devresi	A	K.O
=00SMC00GH00x	+SMC00	50	Beşiktaş Yüzer Havuz	27.012022	Slipring	A	K.O
=00SMC00GH00x	+SMC00	60	Beşiktaş Yüzer Havuz	27.012022	PLC Konfigürasyon	A	K.O
=00SMC00GH00x	+SMC00	61	Beşiktaş Yüzer Havuz	27.012022	CPU/PM564-6DI-2AI	A	K.O
=00SMC00GH00x	+SMC00	62	Beşiktaş Yüzer Havuz	27.012022	CPU/PM564-2AO-6DO	A	K.O
=00SMC00GH00x	+SMC00	63	Beşiktaş Yüzer Havuz	27.012022	KART1/DI524/DI32	A	K.O
=00SMC00GH00x	+SMC00	64	Beşiktaş Yüzer Havuz	27.012022	KART1/DI524/DI32	A	K.O
=00SMC00GH00x	+SMC00	65	Beşiktaş Yüzer Havuz	27.012022	KART1/DI524/DI32	A	K.O
=00SMC00GH00x	+SMC00	66	Beşiktaş Yüzer Havuz	27.012022	KART1/DI524/DI32	A	K.O
=00SMC00GH00x	+SMC00	67	Beşiktaş Yüzer Havuz	27.012022	KART2/DC562/DI8	A	K.O
=00SMC00GH00x	+SMC00	68	Beşiktaş Yüzer Havuz	27.012022	KART2/DC562/DO8	A	K.O
=00SMC00GH00x	+SMC00	69	Beşiktaş Yüzer Havuz	27.012022	KART3_AI531/AI8	A	K.O
=00SMC00GH00x	+SMC00	70	Beşiktaş Yüzer Havuz	27.012022	KART3_AI531/AI8	A	K.O
=00SMC00GH00x	+SMC00	71	Beşiktaş Yüzer Havuz	27.012022	KART4_AO561/AO2	A	K.O
=00SMC00GH00x	+SMC00	1	Beşiktaş Yüzer Havuz	27.01.2022	HMI	A	K.O

Higher level function	Mounting location	Page	Page description	Document No	Ind	Date	Name		
=00SMC00GH00x	+SMC00	2	Beşiktaş Yüzer Havuz	27.01.2022			Loadcell İndikatör Panosu	A	K.O
=00SMC00GH00x	+SMC00	3	Beşiktaş Yüzer Havuz	27.01.2022			Loadcell İndikatör Panosu	A	K.O
=00SMC00GH00x	+SMC00	4	Beşiktaş Yüzer Havuz	27.01.2022			Sağ Joystik	A	K.O
=00SMC00GH00x	+SMC00	5	Beşiktaş Yüzer Havuz	27.01.2022			Sag Joystik Panosu	A	K.O
=00SMC00GH00x	+SMC00	6	Beşiktaş Yüzer Havuz	27.01.2022			Sol Joystik	A	K.O
=00SMC00GH00x	+SMC00	7	Beşiktaş Yüzer Havuz	27.01.2022			Sol Joystik Panosu	A	K.O
=00SMC00GH00x	+SMC00	1	Beşiktaş Yüzer Havuz	27.01.2022			Yürütme Kontrol Voltaj Devresi	A	K.O
=00SMC00GH00x	+SMC00	2	Beşiktaş Yüzer Havuz	27.01.2022			Yürütme Pano Aydınlatma Devresi	A	K.O
=00SMC00GH00x	+SMC00	3	Beşiktaş Yüzer Havuz	27.01.2022			Yürütme İkaz Devresi	A	K.O
=00SMC00GH00x	+SMC00	40	Beşiktaş Yüzer Havuz	27.01.2022			Yürütme Güç Devresi	A	K.O
=00SMC00GH00x	+SMC00	41	Beşiktaş Yüzer Havuz	27.01.2022			Yürütme E.M.Fren Devresi	A	K.O
=00SMC00GH00x	+SMC00	42	Beşiktaş Yüzer Havuz	27.01.2022			Yürütme Eldro Fren Devresi	A	K.O
=00SMC00GH00x	+SMC00	43	Beşiktaş Yüzer Havuz	27.01.2022			Yürütme Kontrol Devresi	A	K.O
=00SMC00GH00x	+SMC00	44	Beşiktaş Yüzer Havuz	27.01.2022			Yürütme PTC Termistör	A	K.O
=00SMC00GH00x	+SMC00	45	Beşiktaş Yüzer Havuz	27.01.2022			Yürütme Limit Swich Devresi	A	K.O
=00SMC00GH00x	+SMC00	46	Beşiktaş Yüzer Havuz	27.01.2022			Kablo Tamburu Gerginlik Switch	A	K.O
=00SMC00GH00x	+SMC00	47	Beşiktaş Yüzer Havuz	27.01.2022			Yürütme Kablo Tambur Switch	A	K.O
=00SMC00GH00x	+SMC00	48	Beşiktaş Yüzer Havuz	27.01.2022			Yürütme Kilit Sistemi Güç Devresi	A	K.O
=00SMC00GH00x	+SMC00	49	Beşiktaş Yüzer Havuz	27.01.2022			Yürütme Kilit Sistemi Kontrol Devresi	A	K.O
=00SMC00GH00x	+SMC00	50	Beşiktaş Yüzer Havuz	27.01.2022			Yürütme Acil Stop Devresi	A	K.O
=00SMC00GH00x	+SMC00	51	Beşiktaş Yüzer Havuz	27.01.2022			Kablo Tamburu Güç Devresi	A	K.O
=00SMC00GH00x	+SMC00	52	Beşiktaş Yüzer Havuz	27.01.2022			Kablo Tamburu E.M.Fren Devresi	A	K.O
=00SMC00GH00x	+SMC00	53	Beşiktaş Yüzer Havuz	27.01.2022			Kablo Tamburu Kontrol Devresi	A	K.O
=00SMC00GH00x	+SMC00	54	Beşiktaş Yüzer Havuz	27.01.2022			Otomatik Yağlama güç/Kontrol Devresi	A	K.O
=00SMC00GH00x	+SMC00	60	Beşiktaş Yüzer Havuz	27.01.2022			PLC Konfigürasyon	A	K.O
=00SMC00GH00x	+SMC00	61	Beşiktaş Yüzer Havuz	27.01.2022			KART1/DC551-CS31	A	K.O
=00SMC00GH00x	+SMC00	62	Beşiktaş Yüzer Havuz	27.01.2022			KART1/DC551-CS31-DI8	A	K.O
=00SMC00GH00x	+SMC00	63	Beşiktaş Yüzer Havuz	27.01.2022			KART1/DC551-CS31-DI16	A	K.O
=00SMC00GH00x	+SMC00	64	Beşiktaş Yüzer Havuz	27.01.2022			KART1/DC551-CS31-DI16	A	K.O
=00SMC00GH00x	+SMC00	65	Beşiktaş Yüzer Havuz	27.01.2022			KART2/DC562-DI8	A	K.O
=00SMC00GH00x	+SMC00	66	Beşiktaş Yüzer Havuz	27.01.2022			KART2/DC562-DO8	A	K.O
=00SMC00GH00x	+SMC00	67	Beşiktaş Yüzer Havuz	27.01.2022			KART3/AO561-AO2	A	K.O

# Parts list

Part List

Device tag	Quantity	Designation	Type number	Supplier	Part number
-3H1	1		250watt Led Projector	PELSAN	PEL.250watt Led Projector
-3H2	1		250watt Led Projector	PELSAN	PEL.250watt Led Projector
-3H3	1		250watt Led Projector	PELSAN	PEL.250watt Led Projector
-3H4	1		250watt Led Projector	PELSAN	PEL.250watt Led Projector
-3H5	1		250watt Led Projector	PELSAN	PEL.250watt Led Projector
-3H6	1		250watt Led Projector	PELSAN	PEL.250watt Led Projector
-3H7	1		250watt Led Projector	PELSAN	PEL.250watt Led Projector
-4H1	1		250watt Led Projector	PELSAN	PEL.250watt Led Projector
-4H2	1		250watt Led Projector	PELSAN	PEL.250watt Led Projector
-4H3	1		250watt Led Projector	PELSAN	PEL.250watt Led Projector
-4H4	1		250watt Led Projector	PELSAN	PEL.250watt Led Projector
-4H5	1		250watt Led Projector	PELSAN	PEL.250watt Led Projector
_MP-1F1	1	Miniature Circuit Breaker - S200 - 1P - C - 2 A	S 201-C2	ABB	ABB.2CDS251001R0024
_MP-1F2	1	Miniature Circuit Breaker - S200 - 1P - C - 2 A	S 201-C2	ABB	ABB.2CDS251001R0024
_MP-1F3	1	Miniature Circuit Breaker - S200 - 1P - C - 2 A	S 201-C2	ABB	ABB.2CDS251001R0024
_MP-1F4	1	Miniature Circuit Breaker - S200 - 3P - C - 6 A	S203-C6	ABB	ABB.2CDS253001R0064
_MP-2F1	1	Miniature Circuit Breaker - S200 - 2P - C - 4 A	S202-C4	ABB	ABB.2CDS252001R0044
_MP-2F2	1	Miniature Circuit Breaker - S200 - 2P - C - 6 A	S202-C6	ABB	ABB.2CDS252001R0064
_MP-2F3	1	Miniature Circuit Breaker - S200 - 1P - C - 2 A	S 201-C2	ABB	ABB.2CDS251001R0024
_MP-2F4	1	Miniature Circuit Breaker - S200 - 1P - C - 2 A	S 201-C2	ABB	ABB.2CDS251001R0024
_MP-2F5	1	Miniature Circuit Breaker - S200 - 1P - C - 2 A	S 201-C2	ABB	ABB.2CDS251001R0024
_MP-2F6	1	Miniature Circuit Breaker - S200 - 1P - C - 2 A	S 201-C2	ABB	ABB.2CDS251001R0024
_MP-2F7	1	Miniature Circuit Breaker - S200 - 2P - C - 2A	S202-C2	ABB	ABB.2CDS252001R0024
_MP-2F8	1	Miniature Circuit Breaker - S200 - 2P - C - 16 A	S202-C16	ABB	ABB.2CDS252001R0164
_MP-2F9	1	Miniature Circuit Breaker - S200 - 2P - C - 25 A	S202-C25	ABB	ABB.2CDS252001R0254
_MP-2F10	1	Miniature Circuit Breaker - S200 - 2P - C - 2A	S202-C2	ABB	ABB.2CDS252001R0024
_MP-3F1	1	Miniature Circuit Breaker - S200 - 2P - C - 6 A	S202-C6	ABB	ABB.2CDS252001R0064
_MP-4F1	1	Miniature Circuit Breaker - S200 - 2P - C - 4 A	S202-C4	ABB	ABB.2CDS252001R0044
_MP-5F1	1	Miniature Circuit Breaker - S200 - 1P - C - 2 A	S 201-C2	ABB	ABB.2CDS251001R0024
_MP-6F1	1	Miniature Circuit Breaker - S200 - 1P - C - 2 A	S 201-C2	ABB	ABB.2CDS251001R0024
_MP-6F2	1	Miniature Circuit Breaker - S200 - 1P - C - 2 A	S 201-C2	ABB	ABB.2CDS251001R0024
_MP-6F3	1	Miniature Circuit Breaker - S200 - 1P - C - 2 A	S 201-C2	ABB	ABB.2CDS251001R0024
_MP-10F	1	XLP 000-6CC - NH Fuse Holder	XLP 000-6CC	ABB	ABB.1SEP201428R0002
_MP-10F	3	160A NH000 Quick Type Blade Fuse	B320069	MERSEN	MER.B320069
_MP-11F1	1	Miniature Circuit Breaker - S200 - 1P - C - 2 A	S 201-C2	ABB	ABB.2CDS251001R0024
_MP-20F	1	XLP 000-6CC - NH Fuse Holder	XLP 000-6CC	ABB	ABB.1SEP201428R0002
_MP-20F	3	125A NH000 Hızlı Bıçaklı sigorta	X320065	MERSEN	MER.X320065
_MP-21F1	1	Miniature Circuit Breaker - S200 - 1P - C - 2 A	S 201-C2	ABB	ABB.2CDS251001R0024
_MP-30F	1	XLP 000-6CC - NH Fuse Holder	XLP 000-6CC	ABB	ABB.1SEP201428R0002
_MP-30F	3	40A NH000 Quick Type Blade fuse	C320047	MERSEN	MER.C320047
_MP-31F1	1	Miniature Circuit Breaker - S200 - 1P - C - 2 A	S 201-C2	ABB	ABB.2CDS251001R0024
_MP-10FC	1	ACS880-01-087A-3 Pcont.max:45kW, Icont.max:87A	ACS880-01-087A-3+D150+N5050+L502	ABB	ABB.ACS880-01-087A-3+D150+N5050+L502
_MP-10FC	1	HTL Artımlı Enkoder Arayüz Kartı	FEN-31	ABB	ABB.FEN-31
_MP-20FC	1	ACS880-01-072A-3 Pcont.max:45kW, Icont.max:87A	ACS880-01-072A-3+D150+N5050+L502	ABB	ABB.ACS880-01-072A-3+D150+N5050+L502
_MP-20FC	1	HTL Artımlı Enkoder Arayüz Kartı	FEN-31	ABB	ABB.FEN-31
_MP-30FC	1	ACS880-01-025A-3 Pcont.max:11kW, Icont.max:25A	ACS880-01-025A-3	ABB	ABB.ACS880-01-025A-3
_MP-1FKR	1	Phase loss monitoring relay 1n/o, L1,2,3= 380-440VAC	CM-PFE	ABB	ABB.1SVR550824R9100
_MP-2GK	1	Power supply 240W, in: 1 phase 100-240VAC/90-350VDC, out: 24VDC/10A	S8VKC24024	OMR	OMR.S8VK-C24024
_MP-1H1	1	Compact Pilot Light Red LED 230V AC	CL2-523R	ABB	ABB.1SFA619403R5231
_MP-1H2	1	Compact Pilot Light Red LED 230V AC	CL2-523R	ABB	ABB.1SFA619403R5231
_MP-1H3	1	Compact Pilot Light Red LED 230V AC	CL2-523R	ABB	ABB.1SFA619403R5231
_MP-6H1	1		AN10.00430	ACK	ACK.AN10.00430
_MP-3KM1	1	AF09-40-00 100-250V50/60HZ-DC Contactor	AF09-40-00	ABB	ABB.1SBL137201R1300
_MP-5KM1	1	AF205-30-11-13 Contactor	AF205-30-11-13	ABB	ABB.1SFL527002R1311
_MP-5KM2	1	AF09-30-10 100-250V50/60HZ-DC Contactor	AF09-30-10	ABB	ABB.1SBL137001R1310
_MP-7KM1	1	AF09-30-10 100-250V50/60HZ-DC Contactor	AF09-30-10	ABB	ABB.1SBL137001R1310

EDITOR	Kemal OLGUN
DATE	27.01.2022
CONTROLLER	Arif AZ



Beşiktaş Yüzer Havuz

Malzeme Listesi

= 00SMC00GH00x
+ SMC00
Page /2
3

# Parts list

Part List

Device tag	Quantity	Designation	Type number	Supplier	Part number
_MP-12KM1	1	AF09-30-10 100-250V50/60HZ-DC Contactor	AF09-30-10	ABB	ABB.1SBL137001R1310
_MP-12KM1	1	CA4-10 Auxiliary Contact Block	CA4-10	ABB	ABB.1SBN010110R1010
_MP-12KM2	1	AF09-30-10 100-250V50/60HZ-DC Contactor	AF09-30-10	ABB	ABB.1SBL137001R1310
_MP-12KM2	1	CA4-10 Auxiliary Contact Block	CA4-10	ABB	ABB.1SBN010110R1010
_MP-22KM1	1	AF09-30-10 100-250V50/60HZ-DC Contactor	AF09-30-10	ABB	ABB.1SBL137001R1310
_MP-22KM1	2	CA4-10 Auxiliary Contact Block	CA4-10	ABB	ABB.1SBN010110R1010
_MP-22KM2	1	AF09-30-10 100-250V50/60HZ-DC Contactor	AF09-30-10	ABB	ABB.1SBL137001R1310
_MP-22KM2	1	CA4-10 Auxiliary Contact Block	CA4-10	ABB	ABB.1SBN010110R1010
_MP-32KM1	1	AF09-30-10 100-250V50/60HZ-DC Contactor	AF09-30-10	ABB	ABB.1SBL137001R1310
_MP-32KM1	2	CA4-10 Auxiliary Contact Block	CA4-10	ABB	ABB.1SBN010110R1010
_MP-32KM2	1	AF09-30-10 100-250V50/60HZ-DC Contactor	AF09-30-10	ABB	ABB.1SBL137001R1310
_MP-32KM2	1	CA4-10 Auxiliary Contact Block	CA4-10	ABB	ABB.1SBN010110R1010
_MP-LB	1		LB.2107.063	TEKPAN	LB.2107.063
_MP-6M1	1	58W 560 m3 /saat Tepe fanı	982.202	TEKPAN	TEK.982.202
_MP-6PRZ	1	M1175 Socket outlet	M1175	ABB	ABB.2CSM210000R0721
_MP-1Q1	1	C.Breaker Formula A2N 250 Fixed Ple With Front Terminals and Thermomagnetic Release	42N250RTM5-205025A	ABB	ABB.1SDA066785R1
_MP-1Q2	1	C.Breaker Formula A1N 125 Fixed Ple With Front Terminals and Thermomagnetic Release	41N125RTM5-100000A	ABB	ABB.1SDA066731R1
_MP-7Q1	1	Manual Motor Starter	MS116-4	ABB	ABB.1SAM250000R1008
_MP-7Q1	1	Manuel Motor Starter Auxiliary Contact	HKF1-11	ABB	ABB.1SAM201901R1001
_MP-11Q1	1	Manual Motor Starter	MS116-1.6	ABB	ABB.1SAM250000R1006
_MP-11Q1	1	Manuel Motor Starter Auxiliary Contact	HKF1-11	ABB	ABB.1SAM201901R1001
_MP-11Q2	1	Manual Motor Starter	MS116-1	ABB	ABB.1SAM250000R1005
_MP-11Q2	1	Manuel Motor Starter Auxiliary Contact	HKF1-11	ABB	ABB.1SAM201901R1001
_MP-21Q1	1	Manual Motor Starter	MS116-1.6	ABB	ABB.1SAM250000R1006
_MP-21Q1	1	Manuel Motor Starter Auxiliary Contact	HKF1-11	ABB	ABB.1SAM201901R1001
_MP-21Q2	1	Manual Motor Starter	MS116-1	ABB	ABB.1SAM250000R1005
_MP-21Q2	1	Manuel Motor Starter Auxiliary Contact	HKF1-11	ABB	ABB.1SAM201901R1001
_MP-31Q1	1	Manual Motor Starter	MS116-1.6	ABB	ABB.1SAM250000R1006
_MP-31Q1	1	Manuel Motor Starter Auxiliary Contact	HKF1-11	ABB	ABB.1SAM201901R1001
_MP-31Q2	1	Manual Motor Starter	MS116-1	ABB	ABB.1SAM250000R1005
_MP-31Q2	1	Manuel Motor Starter Auxiliary Contact	HKF1-11	ABB	ABB.1SAM201901R1001
_MP-10R	1	75kW 5 Ohm Braking Resistor	BRG-D06a.75k0.0005	AKTIF	AKTIF.BRG-D06a.75k0.0005
_MP-13R1	1	Pluggable interface relay 3c/o, A1-A2=230VAC, 250V/10A	MT326230	SCHRACK	SCH.MT326230
_MP-13R1	1	11 Pin Rail Type Socket	MT78750	SCHRACK	SCH.MT78750
_MP-13R2	1	Pluggable interface relay 3c/o, A1-A2=230VAC, 250V/10A	MT326230	SCHRACK	SCH.MT326230
_MP-13R2	1	11 Pin Rail Type Socket	MT78750	SCHRACK	SCH.MT78750
_MP-16R1	1	Pluggable interface relay 3c/o, A1-A2=230VAC, 250V/10A	MT326230	SCHRACK	SCH.MT326230
_MP-16R1	1	11 Pin Rail Type Socket	MT78750	SCHRACK	SCH.MT78750
_MP-16R2	1	Pluggable interface relay 3c/o, A1-A2=230VAC, 250V/10A	MT326230	SCHRACK	SCH.MT326230
_MP-16R2	1	11 Pin Rail Type Socket	MT78750	SCHRACK	SCH.MT78750
_MP-16R3	1	Pluggable interface relay 3c/o, A1-A2=230VAC, 250V/10A	MT326230	SCHRACK	SCH.MT326230
_MP-16R3	1	11 Pin Rail Type Socket	MT78750	SCHRACK	SCH.MT78750
_MP-16R4	1	Pluggable interface relay 3c/o, A1-A2=230VAC, 250V/10A	MT326230	SCHRACK	SCH.MT326230
_MP-16R4	1	11 Pin Rail Type Socket	MT78750	SCHRACK	SCH.MT78750
_MP-20R	1	75kW 5 Ohm Braking Resistor	BRG-D06a.75k0.0005	AKTIF	AKTIF.BRG-D06a.75k0.0005
_MP-23R1	1	Pluggable interface relay 3c/o, A1-A2=230VAC, 250V/10A	MT326230	SCHRACK	SCH.MT326230
_MP-23R1	1	11 Pin Rail Type Socket	MT78750	SCHRACK	SCH.MT78750
_MP-23R2	1	Pluggable interface relay 3c/o, A1-A2=230VAC, 250V/10A	MT326230	SCHRACK	SCH.MT326230
_MP-23R2	1	11 Pin Rail Type Socket	MT78750	SCHRACK	SCH.MT78750
_MP-26R1	1	Pluggable interface relay 3c/o, A1-A2=230VAC, 250V/10A	MT326230	SCHRACK	SCH.MT326230
_MP-26R1	1	11 Pin Rail Type Socket	MT78750	SCHRACK	SCH.MT78750
_MP-26R2	1	Pluggable interface relay 3c/o, A1-A2=230VAC, 250V/10A	MT326230	SCHRACK	SCH.MT326230
_MP-26R2	1	11 Pin Rail Type Socket	MT78750	SCHRACK	SCH.MT78750
_MP-26R3	1	Pluggable interface relay 3c/o, A1-A2=230VAC, 250V/10A	MT326230	SCHRACK	SCH.MT326230
_MP-26R3	1	11 Pin Rail Type Socket	MT78750	SCHRACK	SCH.MT78750
_MP-26R4	1	Pluggable interface relay 3c/o, A1-A2=230VAC, 250V/10A	MT326230	SCHRACK	SCH.MT326230

EDITOR	Kemal OLGUN
DATE	27.01.2022
CONTROLLER	Arif AZ



# Parts list

## Part List

Device tag	Quantity	Designation	Type number	Supplier	Part number
_MP-26R4	1	11 Pin Rail Type Socket	MT78750	SCHRACK	SCH.MT78750
_MP-30R	1	75kW 5 Ohm Braking Resistor	BRG-D06a.75k0.0005	AKTIF	AKTIF.BRG-D06a.75k0.0005
_MP-33R1	1	Pluggable interface relay 3c/o, A1-A2=230VAC, 250V/10A	MT326230	SCHRACK	SCH.MT326230
_MP-33R1	1	11 Pin Rail Type Socket	MT78750	SCHRACK	SCH.MT78750
_MP-33R2	1	Pluggable interface relay 3c/o, A1-A2=230VAC, 250V/10A	MT326230	SCHRACK	SCH.MT326230
_MP-33R2	1	11 Pin Rail Type Socket	MT78750	SCHRACK	SCH.MT78750
_MP-40R1	1	Pluggable interface relay 3c/o, A1-A2=230VAC, 250V/10A	MT326230	SCHRACK	SCH.MT326230
_MP-40R1	1	11 Pin Rail Type Socket	MT78750	SCHRACK	SCH.MT78750
_MP-40R2	1	Pluggable interface relay 3c/o, A1-A2=230VAC, 250V/10A	MT326230	SCHRACK	SCH.MT326230
_MP-40R2	1	11 Pin Rail Type Socket	MT78750	SCHRACK	SCH.MT78750
_MP-62R1	1	CR-S024VADC1CRS Interface relay cpl. 1c/o, A1-A2=24VAC/DC, Output=6A/250VAC	CR-S024VADC1CRS	ABB	ABB.1SVR405541R3110
_MP-62R2	1	CR-S024VADC1CRS Interface relay cpl. 1c/o, A1-A2=24VAC/DC, Output=6A/250VAC	CR-S024VADC1CRS	ABB	ABB.1SVR405541R3110
_MP-62R3	1	CR-S024VADC1CRS Interface relay cpl. 1c/o, A1-A2=24VAC/DC, Output=6A/250VAC	CR-S024VADC1CRS	ABB	ABB.1SVR405541R3110
_MP-62R4	1	CR-S024VADC1CRS Interface relay cpl. 1c/o, A1-A2=24VAC/DC, Output=6A/250VAC	CR-S024VADC1CRS	ABB	ABB.1SVR405541R3110
_MP-62R5	1	CR-S024VADC1CRS Interface relay cpl. 1c/o, A1-A2=24VAC/DC, Output=6A/250VAC	CR-S024VADC1CRS	ABB	ABB.1SVR405541R3110
_MP-62R6	1	CR-S024VADC1CRS Interface relay cpl. 1c/o, A1-A2=24VAC/DC, Output=6A/250VAC	CR-S024VADC1CRS	ABB	ABB.1SVR405541R3110
_MP-68R1	1	CR-S024VADC1CRS Interface relay cpl. 1c/o, A1-A2=24VAC/DC, Output=6A/250VAC	CR-S024VADC1CRS	ABB	ABB.1SVR405541R3110
_MP-68R2	1	CR-S024VADC1CRS Interface relay cpl. 1c/o, A1-A2=24VAC/DC, Output=6A/250VAC	CR-S024VADC1CRS	ABB	ABB.1SVR405541R3110
_MP-68R3	1	CR-S024VADC1CRS Interface relay cpl. 1c/o, A1-A2=24VAC/DC, Output=6A/250VAC	CR-S024VADC1CRS	ABB	ABB.1SVR405541R3110
_MP-68R4	1	CR-S024VADC1CRS Interface relay cpl. 1c/o, A1-A2=24VAC/DC, Output=6A/250VAC	CR-S024VADC1CRS	ABB	ABB.1SVR405541R3110
_MP-68R5	1	CR-S024VADC1CRS Interface relay cpl. 1c/o, A1-A2=24VAC/DC, Output=6A/250VAC	CR-S024VADC1CRS	ABB	ABB.1SVR405541R3110
_MP-68R6	1	CR-S024VADC1CRS Interface relay cpl. 1c/o, A1-A2=24VAC/DC, Output=6A/250VAC	CR-S024VADC1CRS	ABB	ABB.1SVR405541R3110
_MP-68R7	1	CR-S024VADC1CRS Interface relay cpl. 1c/o, A1-A2=24VAC/DC, Output=6A/250VAC	CR-S024VADC1CRS	ABB	ABB.1SVR405541R3110
_MP-68R8	1	CR-S024VADC1CRS Interface relay cpl. 1c/o, A1-A2=24VAC/DC, Output=6A/250VAC	CR-S024VADC1CRS	ABB	ABB.1SVR405541R3110
_MP-5S1	1	Compact Emergency Stop - Twist release - Mushroom 40mm - Red - Non-illuminated - EN10973-1 1NC	EMER-108R01-1NC	ABB	ABB.1SFA619550R104
_MP-6S1	1	Bimetalik Fan Termostatı	983.011	TEKPAN	983.011
_MP-6S2	1	Door Switch	BS1011	EMAS	EMAS.EMAS BS1011
_MP-16S1	1	Hoisting Limit Switch / 1:50 ratio / 4 Contact	FGR100504	GIOVENZENNA	GIOVENZENNA.FGR100504
_MP-26S1	1	Hoisting Limit Switch / 1:50 ratio / 4 Contact	FGR100504	GIOVENZENNA	GIOVENZENNA.FGR100504
_MP-5SR	1	Safety Relay, 3 Safety Contacts, 1 Auxiliary Contact, Dual Channel, 24 V ac/dc	PNOZ X2.8P	PILZ	PILZ.777301
_MP-2T1	1	Transformer 400/230V 1 kVA	Transformer 400/230V 2 kVA	ERA	ERA.GTT-1P2000-P/S
_MP-2T2	1	Transformer 400/230V 1 kVA	Transformer 400/230V 7,5 kVA	ERA	ERA.GTT-1P7500-P/S-KT
_MP-15TRM	1	Thermistor motor protection relay 1n/o, 220-240VAC	CM-MSE	ABB	ABB.1SVR550801R9300
_MP-25TRM	1	Thermistor motor protection relay 1n/o, 220-240VAC	CM-MSE	ABB	ABB.1SVR550801R9300
_MP-34TRM	1	Thermistor motor protection relay 1n/o, 220-240VAC	CM-MSE	ABB	ABB.1SVR550801R9300
_MP-3ZS	1	Otomat Tip Zaman Saati At1e-R 24s 100s	AT1e-R	ABB	ABB.2CSM231215R0601
_MP-6ZS	1	Otomat Tip Zaman Saati At1e-R 24s 100s	AT1e-R	ABB	ABB.2CSM231215R0601
_OPK-1A1	1	SIMATIC HMI, KTP1200 Basic, Basic Panel, Key/touch operation, 12"	6AV2123-2MB03-0AX0	SIE	SIE.6AV2123-2MB03-0AX0
_OPK-1F1	1	Miniature Circuit Breaker - S200 - 1P - C - 2 A	S 201-C2	ABB	ABB.2CDS251001R0024
_OPK-2F1	1	Miniature Circuit Breaker - S200 - 2P - C - 25 A	S202-C25	ABB	ABB.2CDS252001R0254
_OPK-2F2	1	Miniature Circuit Breaker - S200 - 2P - C - 16 A	S202-C16	ABB	ABB.2CDS252001R0164
_OPK-4F1	1	Miniature Circuit Breaker - S200 - 2P - C - 2A	S202-C2	ABB	ABB.2CDS252001R0024
_OPK-4F2	1	Miniature Circuit Breaker - S200 - 2P - C - 2A	S202-C2	ABB	ABB.2CDS252001R0024
_OPK-2GK	1	Book type power supply, Pro, 30 W, 12 VDC, 2.5A, DIN rail mounting	S8VK-G03012	OMR	OMR.S8VK-G03012
_OPK-6LC	1				LOADCELL-TRANSMITTER-ESIT-TR-3
_OPK-3R1	1	Pluggable interface relay 3c/o, A1-A2=230VAC, 250V/10A	MT326230	SCHRACK	SCH.MT326230
_OPK-3R1	1	11 Pin Rail Type Socket	MT78750	SCHRACK	SCH.MT78750
_OPK-2S2	1	Metal Foot Pedel (250VAC 15A) (2 mt wire)	CNTD CFS-2	SOLMAZSAN	SOLMAZ.CNTD CFS-2
_OPK-2S3	1		AS2 Motorlu Siren	MUTLUSAN	MUTLUSAN.AS2
_OPK-6S1	1		MP1-10Y	ABB	ABB.1SFA611100R1003
_OPK-6S1	1	Modular holder	MCBH-00	ABB	ABB.1SFA611605R1100
_OPK-6S1	1	Modular micro switch block	MCBL-10	ABB	ABB.1SFA611612R1010
_OPK-6S2	1		MP1-10Y	ABB	ABB.1SFA611100R1003
_OPK-6S2	1	Modular holder	MCBH-00	ABB	ABB.1SFA611605R1100
_OPK-6S2	1	Modular micro switch block	MCBL-10	ABB	ABB.1SFA611612R1010
Yürütme Panosu-1F1	1	Miniature Circuit Breaker - S200 - 2P - C - 2A	S202-C2	ABB	ABB.2CDS252001R0024



# Parts list

Part List

Device tag	Quantity	Designation	Type number	Supplier	Part number
Yürütme Panosu-1F2	1	Miniature Circuit Breaker - S200 - 2P - C - 6 A	S202-C6	ABB	ABB.2CDS252001R0064
Yürütme Panosu-1F3	1	Miniature Circuit Breaker - S200 - 1P - C - 2 A	S 201-C2	ABB	ABB.2CDS251001R0024
Yürütme Panosu-1F4	1	Miniature Circuit Breaker - S200 - 1P - C - 2 A	S 201-C2	ABB	ABB.2CDS251001R0024
Yürütme Panosu-1F5	1	Miniature Circuit Breaker - S200 - 1P - C - 2 A	S 201-C2	ABB	ABB.2CDS251001R0024
Yürütme Panosu-1F6	1	Miniature Circuit Breaker - S200 - 1P - C - 2 A	S 201-C2	ABB	ABB.2CDS251001R0024
Yürütme Panosu-2F1	1	Miniature Circuit Breaker - S200 - 1P - C - 2 A	S 201-C2	ABB	ABB.2CDS251001R0024
Yürütme Panosu-2F2	1	Miniature Circuit Breaker - S200 - 1P - C - 2 A	S 201-C2	ABB	ABB.2CDS251001R0024
Yürütme Panosu-2F3	1	Miniature Circuit Breaker - S200 - 1P - C - 2 A	S 201-C2	ABB	ABB.2CDS251001R0024
Yürütme Panosu-40F	1	XLP00-6BC - NH Fuse Holder	XLP00-6BC	ABB	ABB.1SEP101890R0002
Yürütme Panosu-40F	3	315A NH00 Quick Type Blade fuse	W320179	MERSEN	MER.W320179
Yürütme Panosu-48F1	1	Miniature Circuit Breaker - S200 - 3P - C - 6 A	S203-C6	ABB	ABB.2CDS253001R0064
Yürütme Panosu-51F	1	Miniature Circuit Breaker - S200 - 3P - B - 50 A	S 203-B 50	ABB	ABB.2CDS253001R0505
Yürütme Panosu-52F1	1	Miniature Circuit Breaker - S200 - 1P - C - 2 A	S 201-C2	ABB	ABB.2CDS251001R0024
Yürütme Panosu-40FC	1	ACS880-01-087A-3 Pcont.max:45kW, Icont.max:87A	ACS880-01-087A-3+D150+N5050+L502	ABB	ABB.ACS880-01-087A-3+D150+N5050+L502
Yürütme Panosu-53FC	1	ACS380-040S-25A0-4 PN:11kW, IN:25A	ACS380-040S-25A0-4	ABB	ABB.ACS380-040S-25A0-4
Yürütme Panosu-1GK	1	Power supply 120W, in: 1 phase 100-240VAC/90-350VDC, out: 24VDC/5A	S8VKC12024	OMR	OMR.S8VK-C12024
Yürütme Panosu-1H1	1	Compact Pilot Light Red LED 230V AC	CL2-523R	ABB	ABB.1SFA619403R5231
Yürütme Panosu-1H2	1	Compact Pilot Light Red LED 230V AC	CL2-523R	ABB	ABB.1SFA619403R5231
Yürütme Panosu-1H3	1	Compact Pilot Light Red LED 230V AC	CL2-523R	ABB	ABB.1SFA619403R5231
Yürütme Panosu-2H1	1		AN10.00430	ACK	ACK.AN10.00430
Yürütme Panosu-3H1	1		IL-XHD-22BK	ILX	ILX.IL-XHD-22BK
Yürütme Panosu-3H2	1		IL-XHD-22BK	ILX	ILX.IL-XHD-22BK
Yürütme Panosu-3H3	1		IL-XHD-22BK	ILX	ILX.IL-XHD-22BK
Yürütme Panosu-3H4	1		IL-XHD-22BK	ILX	ILX.IL-XHD-22BK
Yürütme Panosu-41KM1	1	AF09-30-10 100-250V50/60HZ-DC Contactor	AF09-30-10	ABB	ABB.1SBL137001R1310
Yürütme Panosu-41KM1	3	CA4-10 Auxiliary Contact Block	CA4-10	ABB	ABB.1SBN010110R1010
Yürütme Panosu-42KM1	1	AF09-40-00 100-250V50/60HZ-DC Contactor	AF09-40-00	ABB	ABB.1SBL137201R1300
Yürütme Panosu-42KM1	3	CA4-10 Auxiliary Contact Block	CA4-10	ABB	ABB.1SBN010110R1010
Yürütme Panosu-48KM1	1	AF09-30-10 100-250V50/60HZ-DC Contactor	AF09-30-10	ABB	ABB.1SBL137001R1310
Yürütme Panosu-48KM1	1	CA4-10 Auxiliary Contact Block	CA4-10	ABB	ABB.1SBN010110R1010
Yürütme Panosu-53KM1	1	AF09-30-10 100-250V50/60HZ-DC Contactor	AF09-30-10	ABB	ABB.1SBL137001R1310
Yürütme Panosu-54KM1	1	AF09-30-10 100-250V50/60HZ-DC Contactor	AF09-30-10	ABB	ABB.1SBL137001R1310
Yürütme Panosu-2M1	1	45 W 160m3/saat EBM Papst Fanlı Filtre (250 x 250)	983.141	TEKPAN	TEK.983.141
Yürütme Panosu-2PRZ	1	M1175 Socket outlet	M1175	ABB	ABB.2CSM210000R0721
Yürütme Panosu-40Q1	1	Manual Motor Starter	MS165-42	ABB	ABB.1SAM451000R1015
Yürütme Panosu-40Q1	1	Manuel Motor Starter Auxiliary Contact	HKF1-11	ABB	ABB.1SAM201901R1001
Yürütme Panosu-40Q2	1	Manual Motor Starter	MS165-42	ABB	ABB.1SAM451000R1015
Yürütme Panosu-40Q2	1	Manuel Motor Starter Auxiliary Contact	HKF1-11	ABB	ABB.1SAM201901R1001
Yürütme Panosu-41Q1	1	Manual Motor Starter	MS116-1	ABB	ABB.1SAM250000R1005
Yürütme Panosu-41Q1	1	Manuel Motor Starter Auxiliary Contact	HKF1-11	ABB	ABB.1SAM201901R1001
Yürütme Panosu-41Q2	1	Manual Motor Starter	MS116-1	ABB	ABB.1SAM250000R1005
Yürütme Panosu-41Q2	1	Manuel Motor Starter Auxiliary Contact	HKF1-11	ABB	ABB.1SAM201901R1001
Yürütme Panosu-42Q1	1	Manual Motor Starter	MS116-1.6	ABB	ABB.1SAM250000R1006
Yürütme Panosu-42Q1	1	Manuel Motor Starter Auxiliary Contact	HKF1-11	ABB	ABB.1SAM201901R1001
Yürütme Panosu-42Q2	1	Manual Motor Starter	MS116-1.6	ABB	ABB.1SAM250000R1006
Yürütme Panosu-42Q2	1	Manuel Motor Starter Auxiliary Contact	HKF1-11	ABB	ABB.1SAM201901R1001
Yürütme Panosu-48Q1	1	Manual Motor Starter	MS116-1.6	ABB	ABB.1SAM250000R1006
Yürütme Panosu-48Q1	1	Manuel Motor Starter Auxiliary Contact	HKF1-11	ABB	ABB.1SAM201901R1001
Yürütme Panosu-48Q2	1	Manual Motor Starter	MS116-1.6	ABB	ABB.1SAM250000R1006
Yürütme Panosu-48Q2	1	Manuel Motor Starter Auxiliary Contact	HKF1-11	ABB	ABB.1SAM201901R1001
Yürütme Panosu-52Q1	1	Manual Motor Starter	MS116-1	ABB	ABB.1SAM250000R1005
Yürütme Panosu-52Q1	1	Manuel Motor Starter Auxiliary Contact	HKF1-11	ABB	ABB.1SAM201901R1001
Yürütme Panosu-54Q1	1	Manual Motor Starter	MS116-2,5	ABB	ABB.1SAM250000R1007
Yürütme Panosu-54Q1	1	Manuel Motor Starter Auxiliary Contact	HKF1-11	ABB	ABB.1SAM201901R1001
Yürütme Panosu-40R	1	75kW 5 Ohm Braking Resistor	BRG-D06a.75k0.0005	AKTIF	AKTIF.BRG-D06a.75k0.0005
Yürütme Panosu-45R1	1	Pluggable interface relay 3c/o, A1-A2=230VAC, 250V/10A	MT326230	SCHRACK	SCH.MT326230

EDITOR	Kemal OLGUN
DATE	27.01.2022
CONTROLLER	Arif AZ



Beşiktaş Yüzer Havuz

Malzeme Listesi

= 00SMC00GH00x
+ SMC00
Page /5
6

# Parts list

Part List

Device tag	Quantity	Designation	Type number	Supplier	Part number
Yürütme Panosu-45R1	1	11 Pin Rail Type Socket	MT78750	SCHRACK	SCH.MT78750
Yürütme Panosu-45R2	1	Pluggable interface relay 3c/o, A1-A2=230VAC, 250V/10A	MT326230	SCHRACK	SCH.MT326230
Yürütme Panosu-45R2	1	11 Pin Rail Type Socket	MT78750	SCHRACK	SCH.MT78750
Yürütme Panosu-45R3	1	Pluggable interface relay 3c/o, A1-A2=230VAC, 250V/10A	MT326230	SCHRACK	SCH.MT326230
Yürütme Panosu-45R3	1	11 Pin Rail Type Socket	MT78750	SCHRACK	SCH.MT78750
Yürütme Panosu-45R4	1	Pluggable interface relay 3c/o, A1-A2=230VAC, 250V/10A	MT326230	SCHRACK	SCH.MT326230
Yürütme Panosu-45R4	1	11 Pin Rail Type Socket	MT78750	SCHRACK	SCH.MT78750
Yürütme Panosu-45R5	1	Pluggable interface relay 3c/o, A1-A2=24VDC, 10A	MT326024	SCHRACK	SCH.MT326024
Yürütme Panosu-45R5	1	11 Pin Rail Type Socket	MT78750	SCHRACK	SCH.MT78750
Yürütme Panosu-45R6	1	Pluggable interface relay 3c/o, A1-A2=24VDC, 10A	MT326024	SCHRACK	SCH.MT326024
Yürütme Panosu-45R6	1	11 Pin Rail Type Socket	MT78750	SCHRACK	SCH.MT78750
Yürütme Panosu-46R1	1	Pluggable interface relay 3c/o, A1-A2=230VAC, 250V/10A	MT326230	SCHRACK	SCH.MT326230
Yürütme Panosu-46R1	1	11 Pin Rail Type Socket	MT78750	SCHRACK	SCH.MT78750
Yürütme Panosu-46R2	1	Pluggable interface relay 3c/o, A1-A2=230VAC, 250V/10A	MT326230	SCHRACK	SCH.MT326230
Yürütme Panosu-46R2	1	11 Pin Rail Type Socket	MT78750	SCHRACK	SCH.MT78750
Yürütme Panosu-46R3	1	Pluggable interface relay 3c/o, A1-A2=24VDC, 10A	MT326024	SCHRACK	SCH.MT326024
Yürütme Panosu-46R3	1	11 Pin Rail Type Socket	MT78750	SCHRACK	SCH.MT78750
Yürütme Panosu-46R4	1	Pluggable interface relay 3c/o, A1-A2=24VDC, 10A	MT326024	SCHRACK	SCH.MT326024
Yürütme Panosu-46R4	1	11 Pin Rail Type Socket	MT78750	SCHRACK	SCH.MT78750
Yürütme Panosu-47R1	1	Pluggable interface relay 3c/o, A1-A2=230VAC, 250V/10A	MT326230	SCHRACK	SCH.MT326230
Yürütme Panosu-47R1	1	11 Pin Rail Type Socket	MT78750	SCHRACK	SCH.MT78750
Yürütme Panosu-47R2	1	Pluggable interface relay 3c/o, A1-A2=230VAC, 250V/10A	MT326230	SCHRACK	SCH.MT326230
Yürütme Panosu-47R2	1	11 Pin Rail Type Socket	MT78750	SCHRACK	SCH.MT78750
Yürütme Panosu-47R3	1	Pluggable interface relay 3c/o, A1-A2=230VAC, 250V/10A	MT326230	SCHRACK	SCH.MT326230
Yürütme Panosu-47R3	1	11 Pin Rail Type Socket	MT78750	SCHRACK	SCH.MT78750
Yürütme Panosu-47R4	1	Pluggable interface relay 3c/o, A1-A2=230VAC, 250V/10A	MT326230	SCHRACK	SCH.MT326230
Yürütme Panosu-47R4	1	11 Pin Rail Type Socket	MT78750	SCHRACK	SCH.MT78750
Yürütme Panosu-47R5	1	Pluggable interface relay 3c/o, A1-A2=230VAC, 250V/10A	MT326230	SCHRACK	SCH.MT326230
Yürütme Panosu-47R5	1	11 Pin Rail Type Socket	MT78750	SCHRACK	SCH.MT78750
Yürütme Panosu-49R1	1	Pluggable interface relay 3c/o, A1-A2=24VDC, 10A	MT326024	SCHRACK	SCH.MT326024
Yürütme Panosu-49R1	1	11 Pin Rail Type Socket	MT78750	SCHRACK	SCH.MT78750
Yürütme Panosu-49R2	1	Pluggable interface relay 3c/o, A1-A2=24VDC, 10A	MT326024	SCHRACK	SCH.MT326024
Yürütme Panosu-49R2	1	11 Pin Rail Type Socket	MT78750	SCHRACK	SCH.MT78750
Yürütme Panosu-49R3	1	Pluggable interface relay 3c/o, A1-A2=24VDC, 10A	MT326024	SCHRACK	SCH.MT326024
Yürütme Panosu-49R3	1	11 Pin Rail Type Socket	MT78750	SCHRACK	SCH.MT78750
Yürütme Panosu-49R4	1	Pluggable interface relay 3c/o, A1-A2=24VDC, 10A	MT326024	SCHRACK	SCH.MT326024
Yürütme Panosu-49R4	1	11 Pin Rail Type Socket	MT78750	SCHRACK	SCH.MT78750
Yürütme Panosu-51R	1	75kW 5 Ohm Braking Resistor	BRG-D06a.75k0.0005	AKTIF	AKTIF.BRG-D06a.75k0.0005
Yürütme Panosu-53R1	1	Pluggable interface relay 3c/o, A1-A2=24VDC, 10A	MT326024	SCHRACK	SCH.MT326024
Yürütme Panosu-53R1	1	11 Pin Rail Type Socket	MT78750	SCHRACK	SCH.MT78750
Yürütme Panosu-66R1	1	CR-S024VADC1CRS Interface relay cpl. 1c/o, A1-A2=24VAC/DC, Output=6A/250VAC	CR-S024VADC1CRS	ABB	ABB.1SVR405541R3110
Yürütme Panosu-66R2	1	CR-S024VADC1CRS Interface relay cpl. 1c/o, A1-A2=24VAC/DC, Output=6A/250VAC	CR-S024VADC1CRS	ABB	ABB.1SVR405541R3110
Yürütme Panosu-66R3	1	CR-S024VADC1CRS Interface relay cpl. 1c/o, A1-A2=24VAC/DC, Output=6A/250VAC	CR-S024VADC1CRS	ABB	ABB.1SVR405541R3110
Yürütme Panosu-66R4	1	CR-S024VADC1CRS Interface relay cpl. 1c/o, A1-A2=24VAC/DC, Output=6A/250VAC	CR-S024VADC1CRS	ABB	ABB.1SVR405541R3110
Yürütme Panosu-66R5	1	CR-S024VADC1CRS Interface relay cpl. 1c/o, A1-A2=24VAC/DC, Output=6A/250VAC	CR-S024VADC1CRS	ABB	ABB.1SVR405541R3110
Yürütme Panosu-66R6	1	CR-S024VADC1CRS Interface relay cpl. 1c/o, A1-A2=24VAC/DC, Output=6A/250VAC	CR-S024VADC1CRS	ABB	ABB.1SVR405541R3110
Yürütme Panosu-66R7	1	CR-S024VADC1CRS Interface relay cpl. 1c/o, A1-A2=24VAC/DC, Output=6A/250VAC	CR-S024VADC1CRS	ABB	ABB.1SVR405541R3110
Yürütme Panosu-66R8	1	CR-S024VADC1CRS Interface relay cpl. 1c/o, A1-A2=24VAC/DC, Output=6A/250VAC	CR-S024VADC1CRS	ABB	ABB.1SVR405541R3110
Yürütme Panosu-2S1	1	Bimetalik Fan Termostatı	983.011	TEKPAN	983.011
Yürütme Panosu-2S2	1	Door Switch	BS1011	EMAS	EMAS.EMAS BS1011
Yürütme Panosu-4S1	1	Compact Emergency Stop - Twist release - Mushroom 40mm - Red - Non-illuminated - Black - 110VAC - 1NC	EMAS-110-1-1NC	ABB	ABB.1SFA619550R104
Yürütme Panosu-45S1	1	Hoisting Limit Switch / 1:50 ratio / 4 Contact	FGR100504	GIOVENZENNA	GIOVENZENNA.FGR100504
Yürütme Panosu-46S1	1	Hoisting Limit Switch / 1:50 ratio / 4 Contact	FGR100504	GIOVENZENNA	GIOVENZENNA.FGR100504
Yürütme Panosu-47S1	1	Hoisting Limit Switch / 1:50 ratio / 4 Contact	FGR100504	GIOVENZENNA	GIOVENZENNA.FGR100504
Yürütme Panosu-47S2	1	Hoisting Limit Switch / 1:50 ratio / 4 Contact	FGR100504	GIOVENZENNA	GIOVENZENNA.FGR100504
Yürütme Panosu-44TRM1	1	Thermistor motor protection relay 1n/o, 220-240VAC	CM-MSE	ABB	ABB.1SVR550801R9300

EDITOR	Kemal OLGUN
DATE	27.01.2022
CONTROLLER	Arif AZ



Beşiktaş Yüzer Havuz

Malzeme Listesi

= 00SMC00GH00x
+ SMC00
Page /6
7



Cable name			Cable type							
Function text			No. of conductors			Cross-section		Voltage Level		
Function text	Page / column	Target designation from	Connection point	Conductor	Target designation to	Connection point	Page / column	Function text		
+SMC00-2W1			H05VV-F							
MP>OPK Güç Kaynağı Besleme			3			2,5				
PLC KART BESLEME	00SMC_MP/2.3	+SMC00_MP-2X2	1	BN	+SMC00_OPK-6X2	1	00SMC_OPK/3.3			
PLC KART BESLEME	00SMC_MP/2.3	+SMC00_MP-2X2	2	BU	+SMC00_OPK-6X2	2	00SMC_OPK/3.4			
+SMC00-2W2			H05VV-F							
MP>Slipring			3			2,5				
PLC KART BESLEME	00SMC_MP/2.4	+SMC00_MP-2X2	3	BN	+SMC00_MP-2F7	2	00SMC_MP/2.4			
PLC KART BESLEME	00SMC_MP/2.5	+SMC00_MP-2X2	4	BU	+SMC00_MP-2F7	4	00SMC_MP/2.4			
+SMC00-2W3			H05VV-F							
MP>Slipring			3			2,5				
PLC KART BESLEME	00SMC_MP/2.7	+SMC00_MP-2X2	5	BN	+	11	00SMC_MP/50.4			
PLC KART BESLEME	00SMC_MP/2.8	+SMC00_MP-2X2	6	BU	+	12	00SMC_MP/50.4			
+SMC00-2W4			H05VV-F							
MP>Saha Trafosu 380VAC Giriş			3			2,5				
PLC KART BESLEME	00SMC_MP/2.6	+SMC00_MP-2X1	1	BN	+SMC00_MP-2T2	U1	00SMC_MP/2.6	7,5kVA Yardımcı Besleme Trafosu		
PLC KART BESLEME	00SMC_MP/2.7	+SMC00_MP-2X1	2	BU	+SMC00_MP-2T2	V1	00SMC_MP/2.6	7,5kVA Yardımcı Besleme Trafosu		
	00SMC_MP/2.7	+		GNYE	+SMC00_MP-2T2	PE	00SMC_MP/2.6	7,5kVA Yardımcı Besleme Trafosu		
+SMC00-2W5			H05VV-F							
MP>Saha Trafosu 230VAC Çıkış			3			2,5				
PLC KART BESLEME	00SMC_MP/2.6	+SMC00_MP-2X1	3	BN	+SMC00_MP-2T2	U2	00SMC_MP/2.6	7,5kVA Yardımcı Besleme Trafosu		
PLC KART BESLEME	00SMC_MP/2.7	+SMC00_MP-2X1	4	BU	+SMC00_MP-2T2	V2	00SMC_MP/2.6	7,5kVA Yardımcı Besleme Trafosu		

Cable name			Cable type					
Function text			No. of conductors			Cross-section		Voltage Level
Function text	Page / column	Target designation from	Connection point	Conductor	Target designation to	Connection point	Page / column	Function text
+SMC00-3W1			H05VV-F					
MP>Projektör Aydınlatma 1			3			1,5		
	00SMC_MP/3.1	+SMC00_MP-3X1	1	BN	+SMC00 -3H1	L	00SMC_MP/3.1	
	00SMC_MP/3.1	+SMC00_MP-3X1	2	BU	+SMC00 -3H1	N	00SMC_MP/3.1	
	00SMC_MP/3.1	+	PE	GNYE	+SMC00 -3H1	PE	00SMC_MP/3.1	
+SMC00-3W2			H05VV-F					
MP>Projektör Aydınlatma 2			3			1,5		
	00SMC_MP/3.2	+SMC00_MP-3X1	3	BN	+SMC00 -3H2	L	00SMC_MP/3.2	
	00SMC_MP/3.2	+SMC00_MP-3X1	4	BU	+SMC00 -3H2	N	00SMC_MP/3.2	
	00SMC_MP/3.2	+	PE	GNYE	+SMC00 -3H2	PE	00SMC_MP/3.2	
+SMC00-3W3			H05VV-F					
MP>Projektör Aydınlatma 3			3			1,5		
	00SMC_MP/3.2	+SMC00_MP-3X1	5	BN	+SMC00 -3H3	L	00SMC_MP/3.2	
	00SMC_MP/3.3	+SMC00_MP-3X1	6	BU	+SMC00 -3H3	N	00SMC_MP/3.2	
	00SMC_MP/3.3	+	PE	GNYE	+SMC00 -3H3	PE	00SMC_MP/3.2	
+SMC00-3W4			H05VV-F					
MP>Projektör Aydınlatma 4			3			1,5		
	00SMC_MP/3.3	+SMC00_MP-3X1	7	BN	+SMC00 -3H4	L	00SMC_MP/3.3	
	00SMC_MP/3.4	+SMC00_MP-3X1	8	BU	+SMC00 -3H4	N	00SMC_MP/3.3	
	00SMC_MP/3.4	+	PE	GNYE	+SMC00 -3H4	PE	00SMC_MP/3.3	
+SMC00-3W5			H05VV-F					
MP>Projektör Aydınlatma 5			3			1,5		
	00SMC_MP/3.4	+	9	BN	+SMC00 -3H5	L	00SMC_MP/3.4	

Cable name			+SMC00-3W5			Cable type			H05VV-F					
Function text			MP>Projektör Aydınlatma 5			No. of conductors			3		Cross-section		1,5	Voltage Level
Function text		Page / column	Target designation from		Connection point	Conductor	Target designation to		Connection point	Page / column		Function text		
		00SMC_MP/3.5	+		10	BU	+SMC00 -3H5		N	00SMC_MP/3.4				
		00SMC_MP/3.4	+		PE	GNYE	+SMC00 -3H5		PE	00SMC_MP/3.4				
Cable name			+SMC00-3W6			Cable type			H05VV-F					
Function text			MP>Projektör Aydınlatma 6			No. of conductors			3		Cross-section		1,5	Voltage Level
Function text		Page / column	Target designation from		Connection point	Conductor	Target designation to		Connection point	Page / column		Function text		
		00SMC_MP/3.5	+		11	BN	+SMC00 -3H6		L	00SMC_MP/3.5				
		00SMC_MP/3.5	+		12	BU	+SMC00 -3H6		N	00SMC_MP/3.5				
		00SMC_MP/3.5	+		PE	GNYE	+SMC00 -3H6		PE	00SMC_MP/3.5				
Cable name			+SMC00-3W7			Cable type			H05VV-F					
Function text			MP>Projektör Aydınlatma 7			No. of conductors			3		Cross-section		1,5	Voltage Level
Function text		Page / column	Target designation from		Connection point	Conductor	Target designation to		Connection point	Page / column		Function text		
		00SMC_MP/3.6	+		13	BN	+SMC00 -3H7		L	00SMC_MP/3.6				
		00SMC_MP/3.6	+		14	BU	+SMC00 -3H7		N	00SMC_MP/3.6				
		00SMC_MP/3.6	+		PE	GNYE	+SMC00 -3H7		PE	00SMC_MP/3.6				
Cable name			+SMC00-4W1			Cable type			H05VV-F					
Function text			MP>Projektör Aydınlatma 1			No. of conductors			3		Cross-section		1,5	Voltage Level
Function text		Page / column	Target designation from		Connection point	Conductor	Target designation to		Connection point	Page / column		Function text		
		00SMC_MP/4.3	+SMC00_MP-4X1		1	BN	+SMC00 -4H1		L	00SMC_MP/4.3				
		00SMC_MP/4.3	+SMC00_MP-4X1		2	BU	+SMC00 -4H1		N	00SMC_MP/4.3				
		00SMC_MP/4.3	+		PE	GNYE	+SMC00 -4H1		PE	00SMC_MP/4.3				
Cable name			+SMC00-4W2			Cable type			H05VV-F					
Function text			MP>Projektör Aydınlatma 2			No. of conductors			3		Cross-section		1,5	Voltage Level
Function text		Page / column	Target designation from		Connection point	Conductor	Target designation to		Connection point	Page / column		Function text		
		00SMC_MP/4.4	+SMC00_MP-4X1		3	BN	+SMC00 -4H2		L	00SMC_MP/4.4				
		00SMC_MP/4.4	+SMC00_MP-4X1		4	BU	+SMC00 -4H2		N	00SMC_MP/4.4				

Cable name			Cable type					
Function text			No. of conductors			Cross-section		Voltage Level
Function text	Page / column	Target designation from	Connection point	Conductor	Target designation to	Connection point	Page / column	Function text
+SMC00-4W2			H05VV-F					
MP>Projektör Aydınlatma 2			3			1,5		
	00SMC_MP/4.4	+	PE	GNYE	+SMC00 -4H2	PE	00SMC_MP/4.4	
Cable name			Cable type					
Function text			No. of conductors			Cross-section		Voltage Level
Function text	Page / column	Target designation from	Connection point	Conductor	Target designation to	Connection point	Page / column	Function text
+SMC00-4W3			H05VV-F					
MP>Projektör Aydınlatma 3			3			1,5		
	00SMC_MP/4.5	+SMC00_MP-4X1	5	BN	+SMC00 -4H3	L	00SMC_MP/4.5	
	00SMC_MP/4.5	+SMC00_MP-4X1	6	BU	+SMC00 -4H3	N	00SMC_MP/4.5	
	00SMC_MP/4.5	+	PE	GNYE	+SMC00 -4H3	PE	00SMC_MP/4.5	
Cable name			Cable type					
Function text			No. of conductors			Cross-section		Voltage Level
Function text	Page / column	Target designation from	Connection point	Conductor	Target designation to	Connection point	Page / column	Function text
+SMC00-4W4			H05VV-F					
MP>Projektör Aydınlatma 4			3			1,5		
	00SMC_MP/4.6	+SMC00_MP-4X1	7	BN	+SMC00 -4H4	L	00SMC_MP/4.6	
	00SMC_MP/4.6	+SMC00_MP-4X1	8	BU	+SMC00 -4H4	N	00SMC_MP/4.6	
	00SMC_MP/4.6	+	PE	GNYE	+SMC00 -4H4	PE	00SMC_MP/4.6	
Cable name			Cable type					
Function text			No. of conductors			Cross-section		Voltage Level
Function text	Page / column	Target designation from	Connection point	Conductor	Target designation to	Connection point	Page / column	Function text
+SMC00-4W5			H05VV-F					
MP>Projektör Aydınlatma 5			3			1,5		
	00SMC_MP/4.6	+	9	BN	+SMC00 -4H5	L	00SMC_MP/4.6	
	00SMC_MP/4.7	+	10	BU	+SMC00 -4H5	N	00SMC_MP/4.6	
	00SMC_MP/4.7	+	PE	GNYE	+SMC00 -4H5	PE	00SMC_MP/4.6	
Cable name			Cable type					
Function text			No. of conductors			Cross-section		Voltage Level
Function text	Page / column	Target designation from	Connection point	Conductor	Target designation to	Connection point	Page / column	Function text
+SMC00-5W1			LIYCY					
OPK>MP Joystik 0-10VDC Analog Referans			8			0,75		
	00SMC_OPK/6.8	+SMC00_OPK-6X2	1	1	+SMC00_MP-69A1	-X11:3.0	00SMC_MP/70.2	Kanca Joystik Pot.
	00SMC_OPK/6.8	+SMC00_OPK-6X2	2	2	+SMC00_MP-69A1	-X11:4.2	00SMC_MP/70.3	Bom Joystik Pot.
	00SMC_OPK/6.8	+SMC00_OPK-6X2	3	3	+SMC00_MP-69A1	-X11:4.4	00SMC_MP/70.4	Döndürme Joystik Pot.



Cable name			Cable type					
+SMC00-10W1			H05V-K					
Function text			No. of conductors			Cross-section		Voltage Level
MP>Kanca Motor L1			1			16		
Function text	Page / column	Target designation from	Connection point	Conductor	Target designation to	Connection point	Page / column	Function text
	00SMC_MP/10.3	+SMC00_MP-10X1	1:2	BK	+SMC00_MP-10M	U1	00SMC_MP/10.3	Kanca Motor
Cable name			Cable type					
+SMC00-10W2			H05V-K					
Function text			No. of conductors			Cross-section		Voltage Level
MP>Kanca Motor L2			1			16		
Function text	Page / column	Target designation from	Connection point	Conductor	Target designation to	Connection point	Page / column	Function text
	00SMC_MP/10.4	+SMC00_MP-10X1	2:2	BK	+SMC00_MP-10M	V1	00SMC_MP/10.3	Kanca Motor
Cable name			Cable type					
+SMC00-10W3			H05V-K					
Function text			No. of conductors			Cross-section		Voltage Level
MP>Kanca Motor L3			1			16		
Function text	Page / column	Target designation from	Connection point	Conductor	Target designation to	Connection point	Page / column	Function text
	00SMC_MP/10.4	+SMC00_MP-10X1	3:2	BK	+SMC00_MP-10M	W1	00SMC_MP/10.3	Kanca Motor
Cable name			Cable type					
+SMC00-10W4			H05V-K					
Function text			No. of conductors			Cross-section		Voltage Level
MP>Kanca Motor PE			1			10		
Function text	Page / column	Target designation from	Connection point	Conductor	Target designation to	Connection point	Page / column	Function text
Kanca Motor	00SMC_MP/10.3	+SMC00_MP-10M	PE	GNYE	+SMC00_MP-PE01	PE	00SMC_MP/10.4	
Cable name			Cable type					
+SMC00-10W5			H05V-K					
Function text			No. of conductors			Cross-section		Voltage Level
MP>Kanca Frenleme Direnci R-			1			16		
Function text	Page / column	Target designation from	Connection point	Conductor	Target designation to	Connection point	Page / column	Function text
	00SMC_MP/10.6	+SMC00_MP-10X2	1	BK	+SMC00_MP-10R	x2	00SMC_MP/10.6	Kanca Frenleme Direnci
Cable name			Cable type					
+SMC00-10W6			H05V-K					
Function text			No. of conductors			Cross-section		Voltage Level
MP>Kanca Frenleme Direnci R+			1			16		
Function text	Page / column	Target designation from	Connection point	Conductor	Target designation to	Connection point	Page / column	Function text
	00SMC_MP/10.6	+SMC00_MP-10X2	2	BK	+SMC00_MP-10R	x1	00SMC_MP/10.6	Kanca Frenleme Direnci

Cable name		+SMC00-10W7		Cable type		H05V-K				
Function text		MP>Kanca Frenleme Direnci PE		No. of conductors		1		Cross-section	10	Voltage Level
Function text	Page / column	Target designation from	Connection point	Conductor	Target designation to	Connection point	Page / column	Function text		
Kanca Frenleme Direnci	00SMC_MP/10.6	+SMC00_MP-10R	PE	GNYE	+SMC00_MP-PE01	PE	00SMC_MP/10.6			
Cable name		+SMC00-11W1		Cable type		H05VV-F				
Function text		MP>Bom Kaldırma Eldro Fren		No. of conductors		4		Cross-section	1,5	Voltage Level
Function text	Page / column	Target designation from	Connection point	Conductor	Target designation to	Connection point	Page / column	Function text		
	00SMC_MP/11.2	+SMC00_MP-11X1	1	BK	+SMC00_MP-11Y	U1	00SMC_MP/11.2	Kanca Eldro Fren		
	00SMC_MP/11.3	+SMC00_MP-11X1	2	BN	+SMC00_MP-11Y	V1	00SMC_MP/11.2	Kanca Eldro Fren		
	00SMC_MP/11.3	+		GNYE	+SMC00_MP-11Y	PE	00SMC_MP/11.2	Kanca Eldro Fren		
	00SMC_MP/11.3	+SMC00_MP-11X1	3	GY	+SMC00_MP-11Y	W1	00SMC_MP/11.2	Kanca Eldro Fren		
Cable name		+SMC00-11W2		Cable type		H05VV-F				
Function text		MP>Döndürme E.M.Fren		No. of conductors		3		Cross-section	1,5	Voltage Level
Function text	Page / column	Target designation from	Connection point	Conductor	Target designation to	Connection point	Page / column	Function text		
	00SMC_MP/11.5	+SMC00_MP-11X2	1	BN	+SMC00_MP-11V1	~	00SMC_MP/11.5			
	00SMC_MP/11.5	+SMC00_MP-11X2	2	GY	+SMC00_MP-11V1	~	00SMC_MP/11.5			
Cable name		+SMC00-11W3		Cable type		H05VV-F				
Function text		MP>Döndürme Motor Cebri Fan		No. of conductors		3		Cross-section	1,5	Voltage Level
Function text	Page / column	Target designation from	Connection point	Conductor	Target designation to	Connection point	Page / column	Function text		
	00SMC_MP/11.7	+SMC00_MP-11X3	1	BN	+SMC00_MP-10M	1	00SMC_MP/11.7	Kanca Cebri Fan		
	00SMC_MP/11.8	+		BU	+SMC00_MP-10M	PE	00SMC_MP/11.7	Kanca Cebri Fan		
	00SMC_MP/11.8	+SMC00_MP-11X3	2	GY	+SMC00_MP-10M	2	00SMC_MP/11.7	Kanca Cebri Fan		
Cable name		+SMC00-13W1		Cable type		H05VV-F				
Function text		MP>OPK Kanca+Yürütme Joystik		No. of conductors		5		Cross-section	1,5	Voltage Level
Function text	Page / column	Target designation from	Connection point	Conductor	Target designation to	Connection point	Page / column	Function text		
	00SMC_MP/13.3	+SMC00_MP-13X1	1	BK	+SMC00_OPK-4X1	1	00SMC_OPK/4.1			
	00SMC_MP/13.4	+SMC00_MP-13X1	2	BN	+SMC00_OPK-4X1	4	00SMC_OPK/4.2			
	00SMC_MP/40.3	+SMC00_MP-40X1	1	BU	+SMC00_OPK-4X1	6	00SMC_OPK/4.4			

Cable name			Cable type						
Function text			No. of conductors			Cross-section		Voltage Level	
Function text	Page / column	Target designation from	Connection point	Conductor	Target designation to	Connection point	Page / column	Function text	
+SMC00-13W1			H05VV-F						
MP>OPK Kanca+Yürütme Joystik			5			1,5			
	00SMC_MP/40.5	+SMC00_MP-40X1	2	GNYE	+SMC00_OPK-4X1	7	00SMC_OPK/4.4		
	00SMC_MP/13.6	+SMC00_MP-13X1	3	GY	+SMC00_OPK-4X1	5	00SMC_OPK/4.3		
Cable name			Cable type						
Function text			No. of conductors			Cross-section		Voltage Level	
Function text	Page / column	Target designation from	Connection point	Conductor	Target designation to	Connection point	Page / column	Function text	
+SMC00-14W1			LIYCY						
MP>Kanca Motor Enkoder			8			0,75			
	00SMC_MP/14.4	+SMC00_MP-10FC	X81.4	1	+SMC00_MP-10M	+	00SMC_MP/14.4	Kanca Motor Enkoder	
	00SMC_MP/14.4	+SMC00_MP-10FC	X81.5	2	+SMC00_MP-10M	-	00SMC_MP/14.4	Kanca Motor Enkoder	
	00SMC_MP/14.4	+SMC00_MP-10FC	X82.1	3	+SMC00_MP-10M	A	00SMC_MP/14.4	Kanca Motor Enkoder	
	00SMC_MP/14.5	+SMC00_MP-10FC	X82.2	4	+SMC00_MP-10M	A/	00SMC_MP/14.4	Kanca Motor Enkoder	
	00SMC_MP/14.5	+SMC00_MP-10FC	X82.3	5	+SMC00_MP-10M	B	00SMC_MP/14.4	Kanca Motor Enkoder	
	00SMC_MP/14.5	+SMC00_MP-10FC	X82.4	6	+SMC00_MP-10M	B/	00SMC_MP/14.4	Kanca Motor Enkoder	
Cable name			Cable type						
Function text			No. of conductors			Cross-section		Voltage Level	
Function text	Page / column	Target designation from	Connection point	Conductor	Target designation to	Connection point	Page / column	Function text	
+SMC00-15W1			LIYCY						
MP>Kanca Motor PTC			2			0,75			
	00SMC_MP/15.4	+SMC00_MP-15X1	1	BN	+SMC00_MP-10B	x1	00SMC_MP/15.4	Kanca Motor PTC	
	00SMC_MP/15.4	+SMC00_MP-15X1	2	WH	+SMC00_MP-10B	x2	00SMC_MP/15.4	Kanca Motor PTC	
Cable name			Cable type						
Function text			No. of conductors			Cross-section		Voltage Level	
Function text	Page / column	Target designation from	Connection point	Conductor	Target designation to	Connection point	Page / column	Function text	
+SMC00-16W1			H05VV-F						
MP>Kanca Tambur Siviç			5			1,5			
	00SMC_MP/16.3	+SMC00_MP-16X1	1	BK	+SMC00_MP-16S1	11	00SMC_MP/16.4	Up Stop	
	00SMC_MP/16.4	+SMC00_MP-16X1	2	BN	+SMC00_MP-16S1	12	00SMC_MP/16.4	Up Stop	
	00SMC_MP/16.6	+SMC00_MP-16X1	4	BU	+SMC00_MP-16S1	2	00SMC_MP/16.6	Up Slowdown	
	00SMC_MP/16.7	+SMC00_MP-16X1	5	GNYE	+SMC00_MP-16S1	2	00SMC_MP/16.7	Down Slowdown	
	00SMC_MP/16.5	+SMC00_MP-16X1	3	GY	+SMC00_MP-16S1	2	00SMC_MP/16.5	Down Stop	





Cable name +SMC00-23W1			Cable type H05VV-F					
Function text MP>OPK Bom+Döndürme Joystik			No. of conductors 5			Cross-section 1,5		Voltage Level
Function text	Page / column	Target designation from	Connection point	Conductor	Target designation to	Connection point	Page / column	Function text
	00SMC_MP/33.5	+SMC00_MP-33X1	2	GNYE	+SMC00_OPK-6X1	5	00SMC_OPK/6.4	
	00SMC_MP/23.6	+SMC00_MP-23X1	3	GY	+SMC00_OPK-6X1	3	00SMC_OPK/6.2	

Cable name +SMC00-24W1			Cable type LIYCY					
Function text MP>Bom Kaldırma Motor Enkoder			No. of conductors 8			Cross-section 0,75		Voltage Level
Function text	Page / column	Target designation from	Connection point	Conductor	Target designation to	Connection point	Page / column	Function text
	00SMC_MP/24.4	+SMC00_MP-20FC	X81.4	1	+SMC00_MP-20M	+	00SMC_MP/24.4	Bom Motor Enkoder
	00SMC_MP/24.4	+SMC00_MP-20FC	X81.5	2	+SMC00_MP-20M	-	00SMC_MP/24.4	Bom Motor Enkoder
	00SMC_MP/24.4	+SMC00_MP-20FC	X82.1	3	+SMC00_MP-20M	A	00SMC_MP/24.4	Bom Motor Enkoder
	00SMC_MP/24.5	+SMC00_MP-20FC	X82.2	4	+SMC00_MP-20M	A/	00SMC_MP/24.4	Bom Motor Enkoder
	00SMC_MP/24.5	+SMC00_MP-20FC	X82.3	5	+SMC00_MP-20M	B	00SMC_MP/24.4	Bom Motor Enkoder
	00SMC_MP/24.5	+SMC00_MP-20FC	X82.4	6	+SMC00_MP-20M	B/	00SMC_MP/24.4	Bom Motor Enkoder

Cable name +SMC00-25W1			Cable type LIYCY					
Function text MP>Bom Motor PTC			No. of conductors 2			Cross-section 0,75		Voltage Level
Function text	Page / column	Target designation from	Connection point	Conductor	Target designation to	Connection point	Page / column	Function text
	00SMC_MP/25.4	+SMC00_MP-25X1	1	BN	+SMC00_MP-20B	x1	00SMC_MP/25.5	Bom Motor PTC
	00SMC_MP/25.5	+SMC00_MP-25X1	2	WH	+SMC00_MP-20B	x2	00SMC_MP/25.5	Bom Motor PTC

Cable name +SMC00-26W1			Cable type H05VV-F					
Function text MP>Bom Kaldırma Tambur Sivici			No. of conductors 5			Cross-section 1,5		Voltage Level
Function text	Page / column	Target designation from	Connection point	Conductor	Target designation to	Connection point	Page / column	Function text
	00SMC_MP/26.4	+SMC00_MP-26X1	1	BK	+SMC00_MP-26S1	11	00SMC_MP/26.4	Up Stop
	00SMC_MP/26.4	+SMC00_MP-26X1	2	BN	+SMC00_MP-26S1	12	00SMC_MP/26.4	Up Stop
	00SMC_MP/26.6	+SMC00_MP-26X1	4	BU	+SMC00_MP-26S1	2	00SMC_MP/26.6	Up Slowdown
	00SMC_MP/26.7	+SMC00_MP-26X1	5	GNYE	+SMC00_MP-26S1	2	00SMC_MP/26.7	Down Slowdown
	00SMC_MP/26.5	+SMC00_MP-26X1	3	GY	+SMC00_MP-26S1	2	00SMC_MP/26.5	Down Stop



Cable name			Cable type							
Function text			No. of conductors			Cross-section		Voltage Level		
Function text	Page / column	Target designation from	Connection point	Conductor	Target designation to	Connection point	Page / column	Function text		
+SMC00-30W1			H05VV-F							
MP>Döndürme Motor			4			2,5				
	00SMC_MP/30.3	+SMC00_MP-30X1	1:2	BK	+SMC00_MP-30M	U1	00SMC_MP/30.3	Döndürme Motor		
	00SMC_MP/30.3	+SMC00_MP-30X1	2:2	BN	+SMC00_MP-30M	V1	00SMC_MP/30.3	Döndürme Motor		
	00SMC_MP/30.3	+SMC00_MP-PE01	PE	BU	+SMC00_MP-30M	PE	00SMC_MP/30.3	Döndürme Motor		
	00SMC_MP/30.3	+SMC00_MP-30X1	3:2	GY	+SMC00_MP-30M	W1	00SMC_MP/30.3	Döndürme Motor		
+SMC00-30W2			H05VV-F							
MP>Döndürme Frenleme Direnci			3			2,5				
	00SMC_MP/30.5	+SMC00_MP-30X2	1	BN	+SMC00_MP-30R	x2	00SMC_MP/30.5	Döndürme Frenleme Direnci		
	00SMC_MP/30.5	+SMC00_MP-PE01	PE	BU	+SMC00_MP-30R	PE	00SMC_MP/30.5	Döndürme Frenleme Direnci		
	00SMC_MP/30.5	+SMC00_MP-30X2	2	GY	+SMC00_MP-30R	x1	00SMC_MP/30.5	Döndürme Frenleme Direnci		
+SMC00-31W1			H05VV-F							
MP>Bom Kaldırma Eldro Fren			4			1,5				
	00SMC_MP/31.1	+SMC00_MP-31X1	1	BK	+SMC00_MP-31Y	U1	00SMC_MP/31.1	Döndürme Eldro Fren		
	00SMC_MP/31.1	+SMC00_MP-31X1	2	BN	+SMC00_MP-31Y	V1	00SMC_MP/31.1	Döndürme Eldro Fren		
	00SMC_MP/31.2	+		GNYE	+SMC00_MP-31Y	PE	00SMC_MP/31.1	Döndürme Eldro Fren		
	00SMC_MP/31.1	+SMC00_MP-31X1	3	GY	+SMC00_MP-31Y	W1	00SMC_MP/31.1	Döndürme Eldro Fren		
+SMC00-31W2			H05VV-F							
MP>Döndürme E.M.Fren			3			1,5				
	00SMC_MP/31.4	+SMC00_MP-31X2	1	BN	+SMC00_MP-31V1	~	00SMC_MP/31.4			
	00SMC_MP/31.4	+SMC00_MP-31X2	2	GY	+SMC00_MP-31V1	~	00SMC_MP/31.4			



Cable name			Cable type						
Function text			No. of conductors			Cross-section		Voltage Level	
Function text	Page / column	Target designation from	Connection point	Conductor	Target designation to	Connection point	Page / column	Function text	
+SMC00-44W1			LIYCY						
Yürütme Pano> Yürütme Motor1 PTC			2			0,75			
	00SMC Yürütme Panosu/45.9	+SMC00 Yürütme Panosu-45X1	4	BU	+SMC00 Yürütme Panosu-45S1	2	00SMC Yürütme Panosu/45.9	Slowdown	
	00SMC Yürütme Panosu/45.5	+SMC00 Yürütme Panosu-45X1	5	GNYE	+SMC00 Yürütme Panosu-45S1	2	00SMC Yürütme Panosu/45.5	Slowdown	
	00SMC Yürütme Panosu/45.8	+SMC00 Yürütme Panosu-45X1	3	GY	+SMC00 Yürütme Panosu-45S1	2	00SMC Yürütme Panosu/45.8	Stop	
	00SMC Yürütme Panosu/44.1	+SMC00 Yürütme Panosu-44X1	2	WH	+SMC00 Yürütme Panosu-44B1	x2	00SMC Yürütme Panosu/44.1	Yürütme Motor1 PTC	
+SMC00-44W2			LIYCY						
Yürütme Pano> Yürütme Motor1 PTC			2			0,75			
	00SMC Yürütme Panosu/45.7	+SMC00 Yürütme Panosu-45X1	6	BK	+SMC00 Yürütme Panosu-44S2	2	00SMC Yürütme Panosu/45.7		
	00SMC Yürütme Panosu/44.1	+SMC00 Yürütme Panosu-44X1	3	BN	+SMC00 Yürütme Panosu-44B2	x1	00SMC Yürütme Panosu/44.1	Yürütme Motor2 PTC	
	00SMC Yürütme Panosu/45.7	+SMC00 Yürütme Panosu-45X1	7	BN	+SMC00 Yürütme Panosu-44S2	1	00SMC Yürütme Panosu/45.7		
	00SMC Yürütme Panosu/45.7	+SMC00 Yürütme Panosu-45X1	8	GY	+SMC00 Yürütme Panosu-44S2	3	00SMC Yürütme Panosu/45.7		
	00SMC Yürütme Panosu/44.1	+SMC00 Yürütme Panosu-44X1	4	WH	+SMC00 Yürütme Panosu-44B2	x2	00SMC Yürütme Panosu/44.1	Yürütme Motor2 PTC	
+SMC00-44W3			H05VV-F						
Yürütme Pano>Yürütme İleri Yavaşlama Sensör			4			1,5			
	00SMC Yürütme Panosu/45.9	+SMC00 Yürütme Panosu-45X1	9	BK	+SMC00 Yürütme Panosu-44S3	2	00SMC Yürütme Panosu/45.9		
	00SMC Yürütme Panosu/45.9	+SMC00 Yürütme Panosu-45X1	10	BN	+SMC00 Yürütme Panosu-44S3	1	00SMC Yürütme Panosu/45.9		
	00SMC Yürütme Panosu/45.9	+SMC00 Yürütme Panosu-45X1	11	GY	+SMC00 Yürütme Panosu-44S3	3	00SMC Yürütme Panosu/45.9		
+SMC00-45W3			H05VV-F						
Yürütme Pano>Kablo Salma Sensör 1			4			1,5			
	00SMC Yürütme Panosu/46.6	+SMC00 Yürütme Panosu-45X1	5	BK	+SMC00 Yürütme Panosu-45S2	2	00SMC Yürütme Panosu/46.6		
	00SMC Yürütme Panosu/46.6	+SMC00 Yürütme Panosu-45X1	6	BN	+SMC00 Yürütme Panosu-45S2	1	00SMC Yürütme Panosu/46.6		
	00SMC Yürütme Panosu/46.6	+SMC00 Yürütme Panosu-45X1	7	GY	+SMC00 Yürütme Panosu-45S2	3	00SMC Yürütme Panosu/46.6		

Cable name			Cable type						
Function text			No. of conductors			Cross-section		Voltage Level	
Function text	Page / column	Target designation from	Connection point	Conductor	Target designation to	Connection point	Page / column	Function text	
+SMC00-45W4			H05VV-F						
Yürütme Pano>Kablo Salma Sensör 2			4			1,5			
		00SMC Yürütme Panosu/45	SMC00 Yürütme Panosu-45X1	8	BK	+SMC00 Yürütme Panosu-45S3	2	00SMC Yürütme Panosu/46.7	
		00SMC Yürütme Panosu/45	SMC00 Yürütme Panosu-45X1	9	BN	+SMC00 Yürütme Panosu-45S3	1	00SMC Yürütme Panosu/46.7	
		00SMC Yürütme Panosu/45	SMC00 Yürütme Panosu-45X1	10	GY	+SMC00 Yürütme Panosu-45S3	3	00SMC Yürütme Panosu/46.7	
+SMC00-46W1			H05VV-F						
Yürütme Pano>Kablo Tambur Gerginlik Sivic1			3			1,5			
		00SMC Yürütme Panosu/45	SMC00 Yürütme Panosu-45X1	1	BN	+SMC00 Yürütme Panosu-46S1	11	00SMC Yürütme Panosu/46.7 Stop	
		00SMC Yürütme Panosu/45	SMC00 Yürütme Panosu-45X1	2	BU	+SMC00 Yürütme Panosu-46S1	12	00SMC Yürütme Panosu/46.7 Stop	
+SMC00-46W2			H05VV-F						
Yürütme Pano>Kablo Tambur Gerginlik Sivic2			3			1,5			
		00SMC Yürütme Panosu/45	SMC00 Yürütme Panosu-45X1	3	BN	+SMC00 Yürütme Panosu-46S1	1	00SMC Yürütme Panosu/46.7 Stop	
		00SMC Yürütme Panosu/45	SMC00 Yürütme Panosu-45X1	4	BU	+SMC00 Yürütme Panosu-46S1	2	00SMC Yürütme Panosu/46.7 Stop	
+SMC00-47W1			H05VV-F						
Yürütme Pano>Kablo Tambur Siviç			5			1,5			
		00SMC Yürütme Panosu/45	SMC00 Yürütme Panosu-47X1	1	BK	+SMC00 Yürütme Panosu-47S1	11	00SMC Yürütme Panosu/47.7 Stop	
		00SMC Yürütme Panosu/45	SMC00 Yürütme Panosu-47X1	2	BN	+SMC00 Yürütme Panosu-47S1	12	00SMC Yürütme Panosu/47.7 Stop	
		00SMC Yürütme Panosu/45	SMC00 Yürütme Panosu-47X1	4	BU	+SMC00 Yürütme Panosu-47S1	2	00SMC Yürütme Panosu/47.7 Slowdown	
		00SMC Yürütme Panosu/45	SMC00 Yürütme Panosu-47X1	5	GNYE	+SMC00 Yürütme Panosu-47S1	2	00SMC Yürütme Panosu/47.7 Slowdown	
		00SMC Yürütme Panosu/45	SMC00 Yürütme Panosu-47X1	3	GY	+SMC00 Yürütme Panosu-47S1	2	00SMC Yürütme Panosu/47.7 Stop	
+SMC00-47W2			H05VV-F						
Yürütme Pano>Vinç Kilit sivic			3			1,5			
		00SMC Yürütme Panosu/45	SMC00 Yürütme Panosu-47X1	6	BN	+SMC00 Yürütme Panosu-47S2	11	00SMC Yürütme Panosu/47.7	

Cable name			Cable type					
+SMC00-47W2			H05VV-F					
Function text			No. of conductors			Cross-section		Voltage Level
Yürütme Pano>Vinç Kilit sivici			3			1,5		
Function text	Page / column	Target designation from	Connection point	Conductor	Target designation to	Connection point	Page / column	Function text
		00SMC Yürütme Panosu/47	7	BU	+SMC00 Yürütme Panosu-47S2	12		00SMC Yürütme Panosu/47.7
Cable name			Cable type					
+SMC00-48W1			H05VVF					
Function text			No. of conductors			Cross-section		Voltage Level
Yürütme Pano>Ayak Kilitleme Pompa Motoru 1			4			2,5		
Function text	Page / column	Target designation from	Connection point	Conductor	Target designation to	Connection point	Page / column	Function text
		00SMC Yürütme Panosu/48	1:2	BK	+SMC00 Yürütme Panosu-48M1	U1		00SMC Yürütme Panosu/48.2
		00SMC Yürütme Panosu/48	2:2	BN	+SMC00 Yürütme Panosu-48M1	V1		00SMC Yürütme Panosu/48.2
		00SMC Yürütme Panosu/48	PE	GNYE	+SMC00 Yürütme Panosu-48M1	PE		00SMC Yürütme Panosu/48.2
		00SMC Yürütme Panosu/48	3:2	GY	+SMC00 Yürütme Panosu-48M1	W1		00SMC Yürütme Panosu/48.2
Cable name			Cable type					
+SMC00-48W2			H05VVF					
Function text			No. of conductors			Cross-section		Voltage Level
Yürütme Pano>Ayak Kilitleme Pompa Motoru 2			4			2,5		
Function text	Page / column	Target designation from	Connection point	Conductor	Target designation to	Connection point	Page / column	Function text
		00SMC Yürütme Panosu/48	1:2	BK	+SMC00 Yürütme Panosu-48M2	U1		00SMC Yürütme Panosu/48.5
		00SMC Yürütme Panosu/48	2:2	BN	+SMC00 Yürütme Panosu-48M2	V1		00SMC Yürütme Panosu/48.5
		00SMC Yürütme Panosu/48	PE	GNYE	+SMC00 Yürütme Panosu-48M2	PE		00SMC Yürütme Panosu/48.5
		00SMC Yürütme Panosu/48	3:2	GY	+SMC00 Yürütme Panosu-48M2	W1		00SMC Yürütme Panosu/48.5
Cable name			Cable type					
+SMC00-51W1			H05VVF					
Function text			No. of conductors			Cross-section		Voltage Level
Yürütme Pano>Ayak Kilitleme Pompa Motoru 1			4			2,5		
Function text	Page / column	Target designation from	Connection point	Conductor	Target designation to	Connection point	Page / column	Function text
		00SMC Yürütme Panosu/51	1:2	BK	+SMC00 Yürütme Panosu-51M1	U1		00SMC Yürütme Panosu/51.6 Tambur Motor
		00SMC Yürütme Panosu/51	2:2	BN	+SMC00 Yürütme Panosu-51M1	V1		00SMC Yürütme Panosu/51.6 Tambur Motor
		00SMC Yürütme Panosu/51	PE	GNYE	+SMC00 Yürütme Panosu-51M1	PE		00SMC Yürütme Panosu/51.6 Tambur Motor
		00SMC Yürütme Panosu/51	3:2	GY	+SMC00 Yürütme Panosu-51M1	W1		00SMC Yürütme Panosu/51.6 Tambur Motor

Cable name			Cable type						
Function text			No. of conductors			Cross-section		Voltage Level	
Function text	Page / column	Target designation from	Connection point	Conductor	Target designation to	Connection point	Page / column	Function text	
+SMC00-51W2			H05VVF						
Yürütme Pano>Kablo Tambur Frenleme Direnci			3			2,5			
		00SMC Yürütme Panosu/51	SMC00 Yürütme Panosu-51X2	1	BK	+SMC00 Yürütme Panosu-51R	x2	00SMC Yürütme Panosu/51	Kablo Tambur Yürütme Frenleme Direnci
		00SMC Yürütme Panosu/51	SMC00 Yürütme Panosu-51X2	2	BN	+SMC00 Yürütme Panosu-51R	x1	00SMC Yürütme Panosu/51	Kablo Tambur Yürütme Frenleme Direnci
		00SMC Yürütme Panosu/51	SMC00 Yürütme Panosu-PE01	PE	GNYE	+SMC00 Yürütme Panosu-51R	PE	00SMC Yürütme Panosu/51	Kablo Tambur Yürütme Frenleme Direnci
+SMC00-52W1			H05VVF						
Yürütme Pano>Kablo Tamburu E.M.Fren			3			1,5			
		00SMC Yürütme Panosu/52	SMC00 Yürütme Panosu-52X1	1	BN	+SMC00 Yürütme Panosu-52V1	~	00SMC Yürütme Panosu/52.4	
		00SMC Yürütme Panosu/52	SMC00 Yürütme Panosu-52X1	2	BU	+SMC00 Yürütme Panosu-52V1	~	00SMC Yürütme Panosu/52.4	
+SMC00-52W2			H05VVF						
Yürütme Pano>Kablo Tamburu Motor Cebri Fan			3			1,5			
		00SMC Yürütme Panosu/52	SMC00 Yürütme Panosu-52X2	1	BN	+SMC00 Yürütme Panosu-52M	1	00SMC Yürütme Panosu/52.6	
		00SMC Yürütme Panosu/52	SMC00 Yürütme Panosu-52X2	2	BU	+SMC00 Yürütme Panosu-52M	2	00SMC Yürütme Panosu/52.6	
		00SMC Yürütme Panosu/52.6			GNYE	+SMC00 Yürütme Panosu-52M	PE	00SMC Yürütme Panosu/52.6	
+SMC00-54W1			H05VVF						
Yürütme Pano>Ayak Kilitleme Pompa Motoru 1			4			2,5			
		00SMC Yürütme Panosu/54	SMC00 Yürütme Panosu-54X1	1:2	BK	+SMC00 Yürütme Panosu-54M1	U1	00SMC Yürütme Panosu/54.2	
		00SMC Yürütme Panosu/54	SMC00 Yürütme Panosu-54X1	2:2	BN	+SMC00 Yürütme Panosu-54M1	V1	00SMC Yürütme Panosu/54.2	
		00SMC Yürütme Panosu/54	SMC00 Yürütme Panosu-PE01	PE	GNYE	+SMC00 Yürütme Panosu-54M1	PE	00SMC Yürütme Panosu/54.2	
		00SMC Yürütme Panosu/54	SMC00 Yürütme Panosu-54X1	3:2	GY	+SMC00 Yürütme Panosu-54M1	W1	00SMC Yürütme Panosu/54.2	

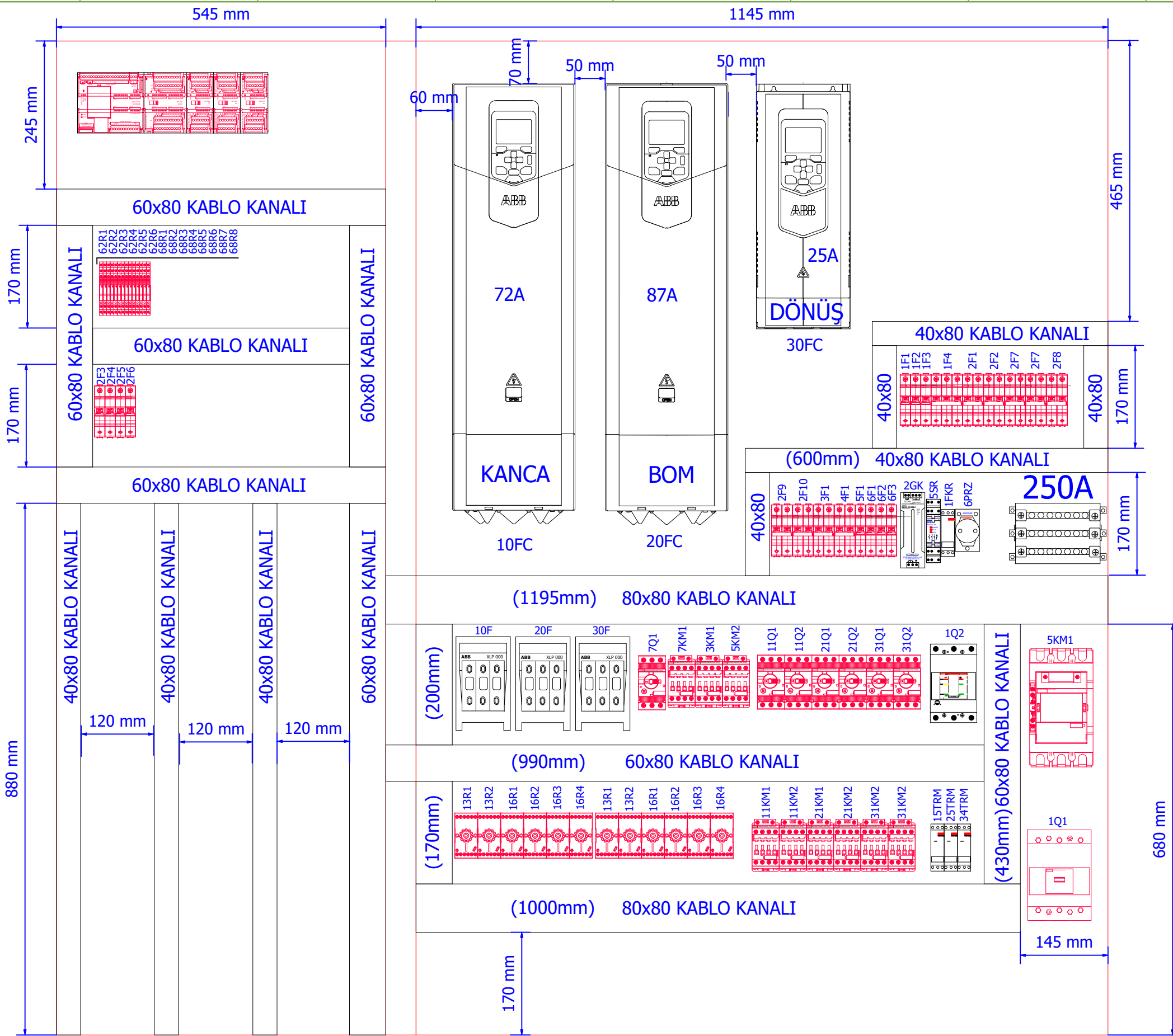
EDITOR	Kemal OLGUN
DATE	27.01.2022
CONTROLLER	Arif AZ

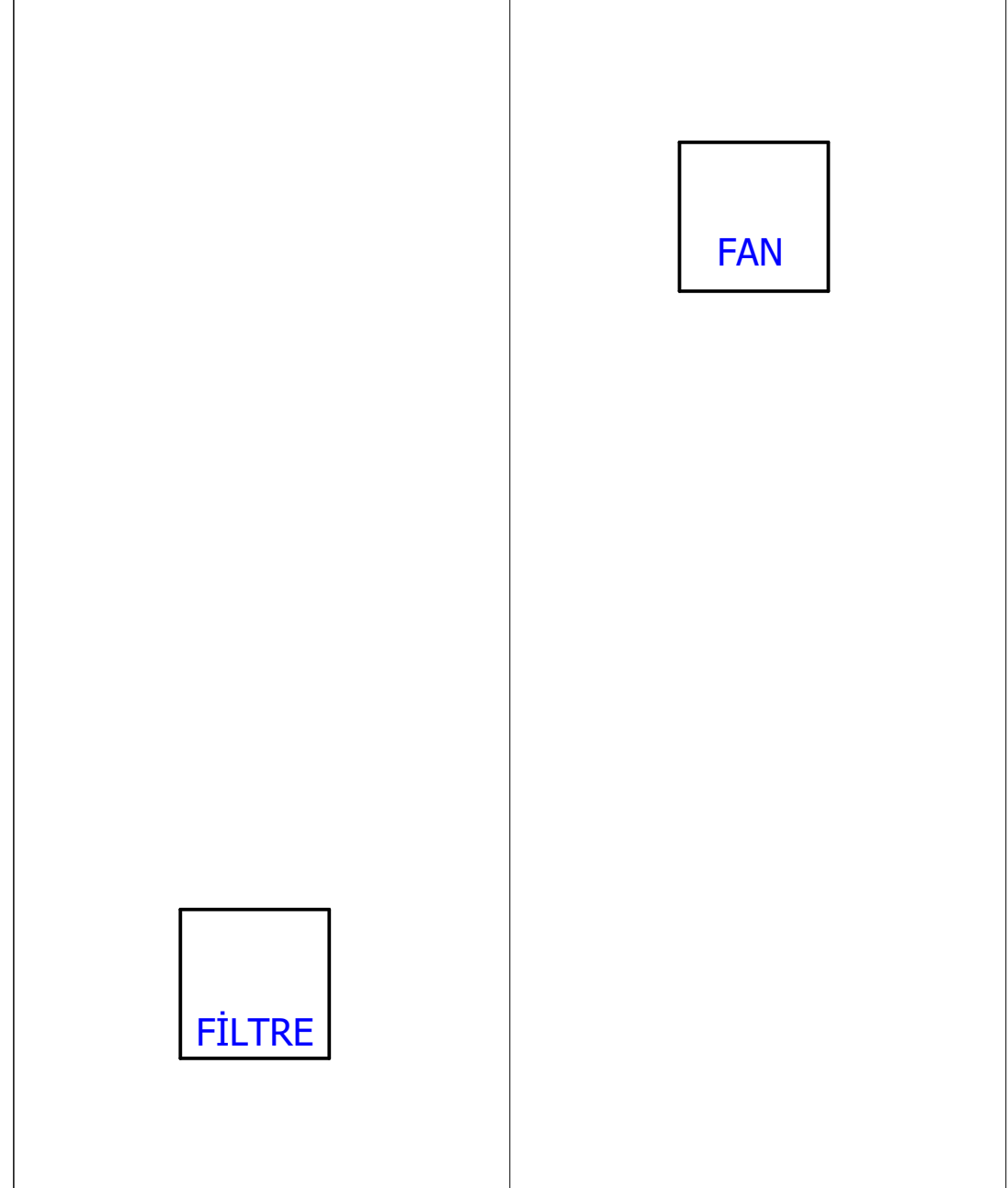
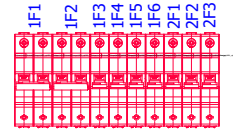
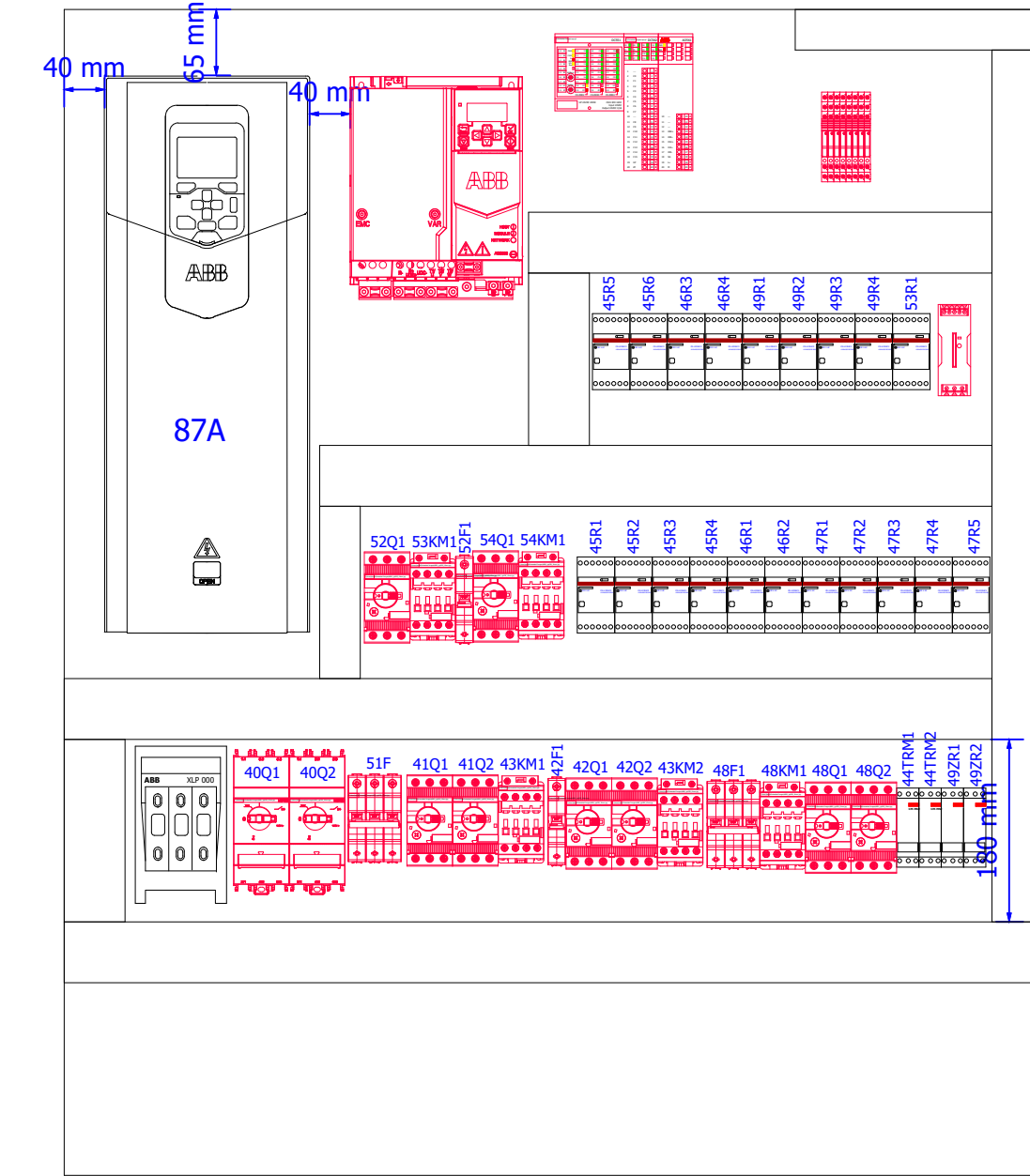


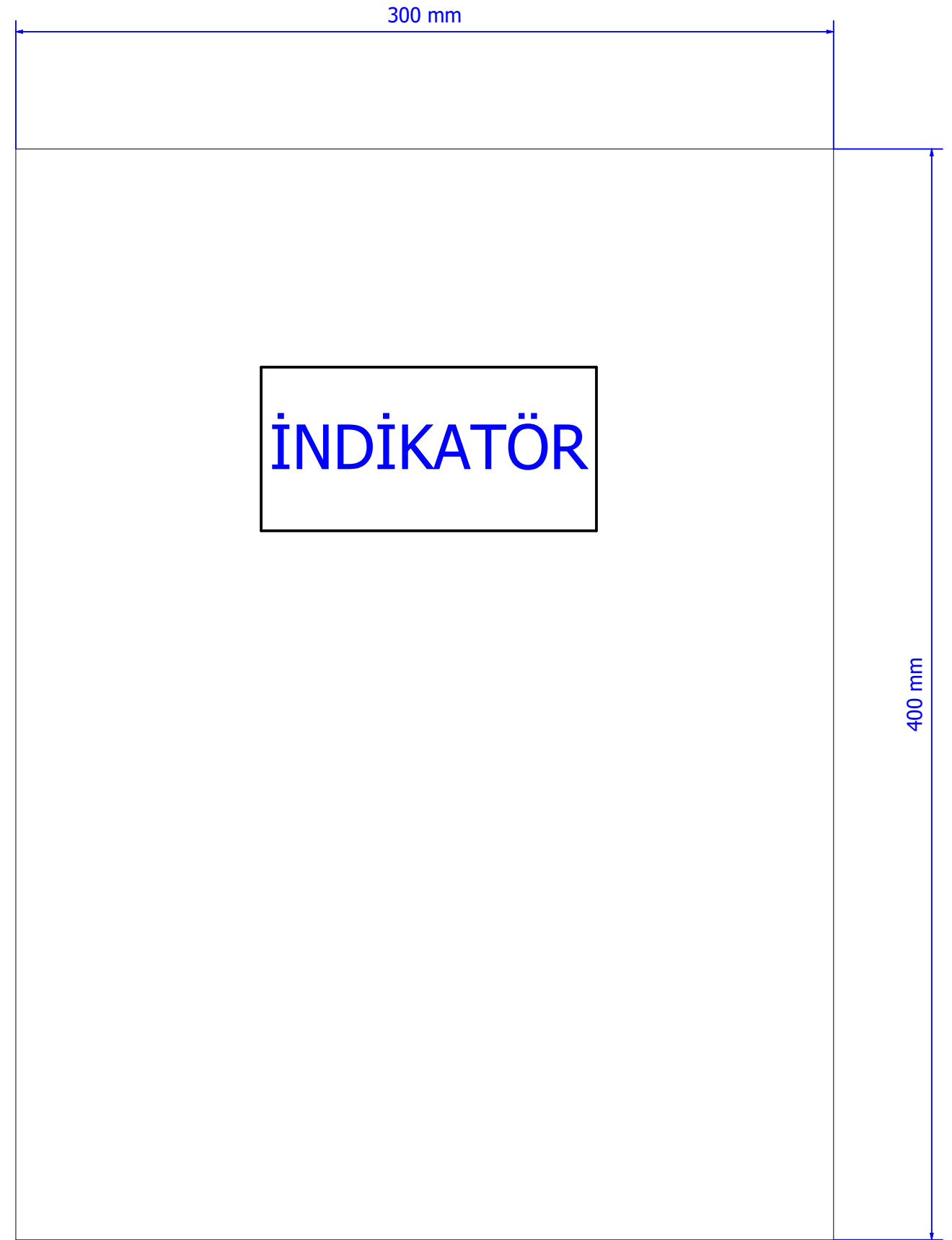
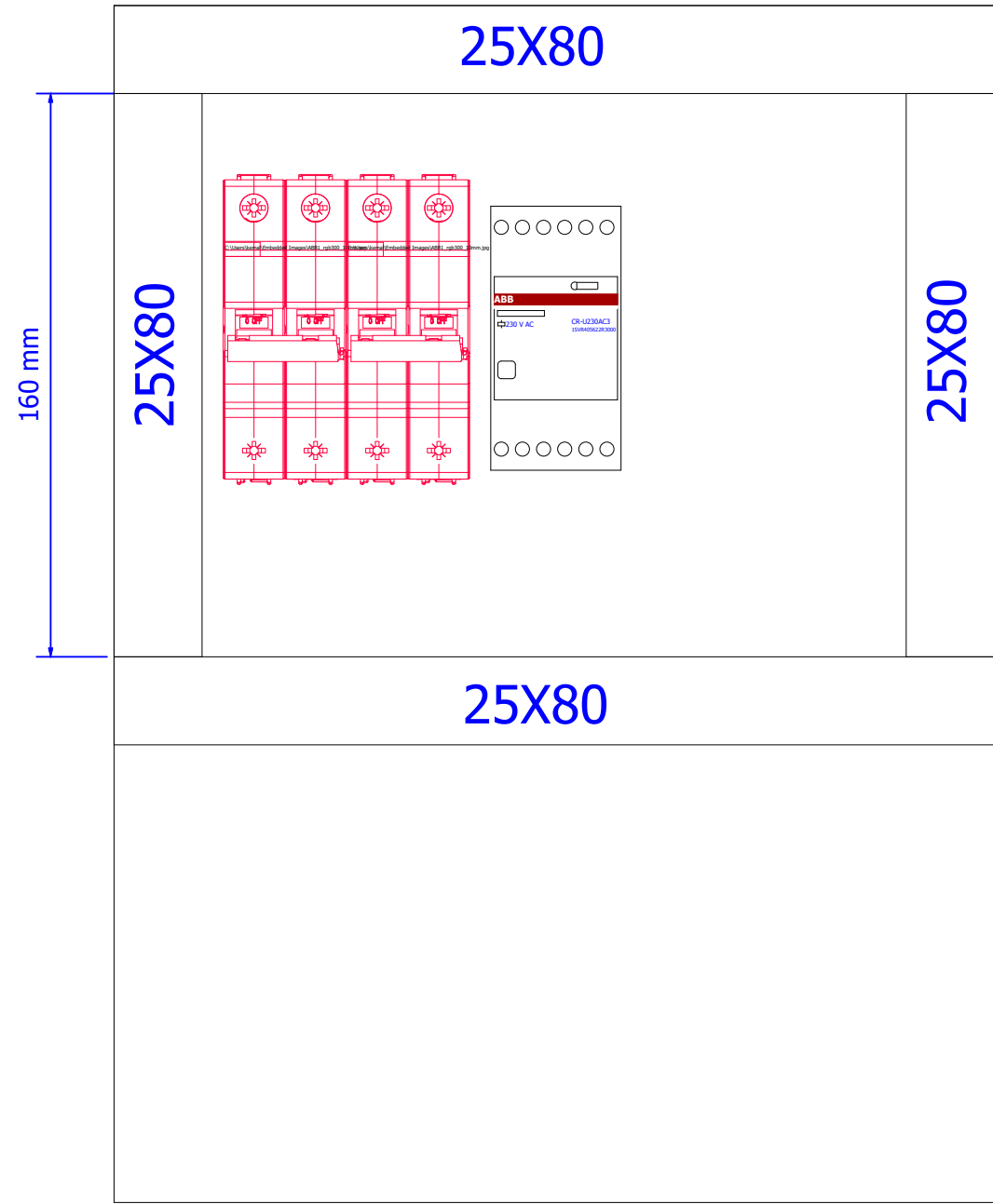
= 00SMC00GH00x
+ SMC00
Page /17
25

Cable name			+SMC00-62W1			Cable type			LIYCY						
Function text			Kanca 0-10VDC Analog Referans			No. of conductors			2		Cross-section		0,75	Voltage Level	
Function text		Page / column	Target designation from		Connection point	Conductor	Target designation to			Connection point	Page / column		Function text		
		00SMC_MP/12.2	+SMC00_MP-10FC		XAI:4	BN	+SMC00_MP-61A1			11	00SMC_MP/62.2				
		00SMC_MP/12.2	+SMC00_MP-10FC		XAI:5	WH	+SMC00_MP-61A1			12	00SMC_MP/62.2				
Cable name			+SMC00-67W1			Cable type			LIYCY						
Function text			Yürütme 0-10VDC Analog Referans			No. of conductors			2		Cross-section		0,75	Voltage Level	
Function text		Page / column	Target designation from		Connection point	Conductor	Target designation to			Connection point	Page / column		Function text		
		00SMC Yürütme Panosu/43	+SMC00 Yürütme Panosu-43FC		XAI:4	BN	+SMC00 Yürütme Panosu-67A1			13	00SMC Yürütme Panosu/67.2				
		00SMC Yürütme Panosu/43	+SMC00 Yürütme Panosu-43FC		XAI:5	WH	+SMC00 Yürütme Panosu-67A1			17	00SMC Yürütme Panosu/67.4				
Cable name			+SMC00-69W1			Cable type			LIYCY						
Function text			Loadcell			No. of conductors			4		Cross-section		0,75	Voltage Level	
Function text		Page / column	Target designation from		Connection point	Conductor	Target designation to			Connection point	Page / column		Function text		
		00SMC_OPK/3.7	+		ANALOG OUT	BN	+SMC00_MP-69A1			2.0	00SMC_MP/69.2				
		00SMC_MP/69.2	+SMC00_MP-69A1		1.0	WH	+SMC00_MP-69A1			1.9	00SMC_MP/69.7				
Cable name			+SMC00-69W2			Cable type			LIYCY						
Function text			Açı Sensörü			No. of conductors			4		Cross-section		0,75	Voltage Level	
Function text		Page / column	Target designation from		Connection point	Conductor	Target designation to			Connection point	Page / column		Function text		
		00SMC_MP/69.3	+SMC00_MP-69X1		1	BN	+SMC00_MP-69A1			2.2	00SMC_MP/69.3				
		00SMC_MP/69.3	+SMC00_MP-69X1		2	BN	+SMC00_MP-69A1			1.2	00SMC_MP/69.3				
Cable name			+SMC00-69W3			Cable type			LIYCY						
Function text			Rüzgar Güülü			No. of conductors			4		Cross-section		0,75	Voltage Level	
Function text		Page / column	Target designation from		Connection point	Conductor	Target designation to			Connection point	Page / column		Function text		
		00SMC_MP/69.4	+SMC00_MP-69X2		1	BN	+SMC00_MP-69A1			2.4	00SMC_MP/69.4				
		00SMC_MP/69.4	+SMC00_MP-69X2		2	BN	+SMC00_MP-69A1			1.4	00SMC_MP/69.4				

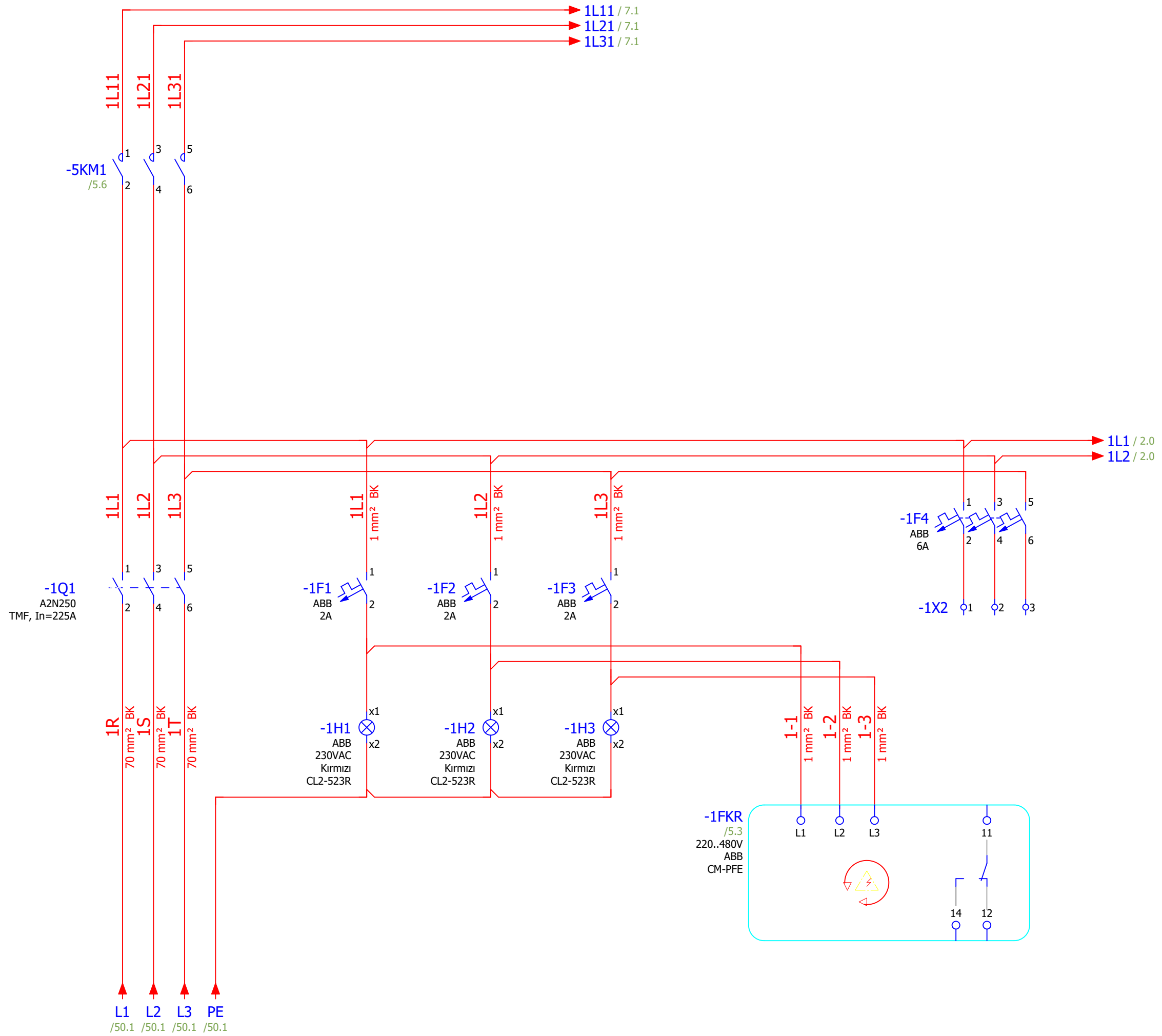
Cable name			Cable type					
+SMC00-69W4			LIYCY					
Function text			No. of conductors			Cross-section		Voltage Level
Yedek			4			0,75		
Function text	Page / column	Target designation from	Connection point	Conductor	Target designation to	Connection point	Page / column	Function text
	00SMC_MP/69.6	+SMC00_MP-69X2	1	BN	+SMC00_MP-69A1	2.6	00SMC_MP/69.6	
	00SMC_MP/69.6	+SMC00_MP-69X2	2	BN	+SMC00_MP-69A1	1.6	00SMC_MP/69.6	
Cable name			Cable type					
+SMC00-72W1			LIYCY					
Function text			No. of conductors			Cross-section		Voltage Level
Bom 0-10VDC Analog Referans			2			0,75		
Function text	Page / column	Target designation from	Connection point	Conductor	Target designation to	Connection point	Page / column	Function text
	00SMC_MP/22.2	+SMC00_MP-20FC	XAI:4	BN	+SMC00_MP-71A1	13	00SMC_MP/71.2	
	00SMC_MP/22.2	+SMC00_MP-20FC	XAI:5	WH	+SMC00_MP-71A1	17	00SMC_MP/71.3	
Cable name			Cable type					
+SMC00-72W2			LIYCY					
Function text			No. of conductors			Cross-section		Voltage Level
Döndürme 0-10VDC Analog Referans			2			0,75		
Function text	Page / column	Target designation from	Connection point	Conductor	Target designation to	Connection point	Page / column	Function text
	00SMC_MP/32.1	+SMC00_MP-30FC	XAI:4	BN	+SMC00_MP-71A1	15	00SMC_MP/71.4	
	00SMC_MP/32.2	+SMC00_MP-30FC	XAI:5	BN	+SMC00_MP-71A1	17	00SMC_MP/71.3	





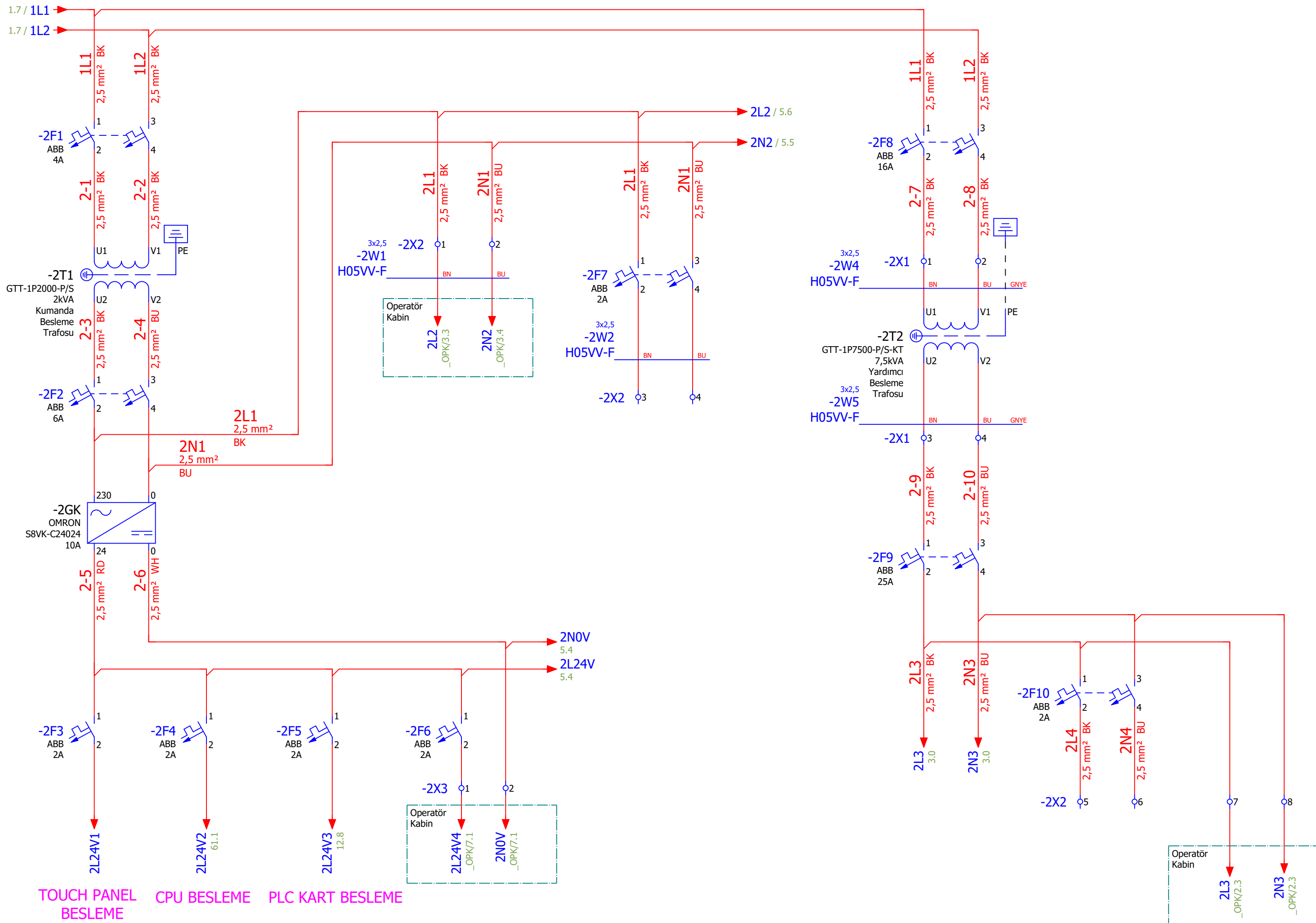


**Tekpan (Ares Serisi)  
300G\*400Y\*200D**



EDITOR	Kemal Olgun
DATE	27.012022
CONTROLLER	Arif Az

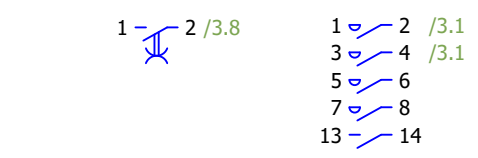
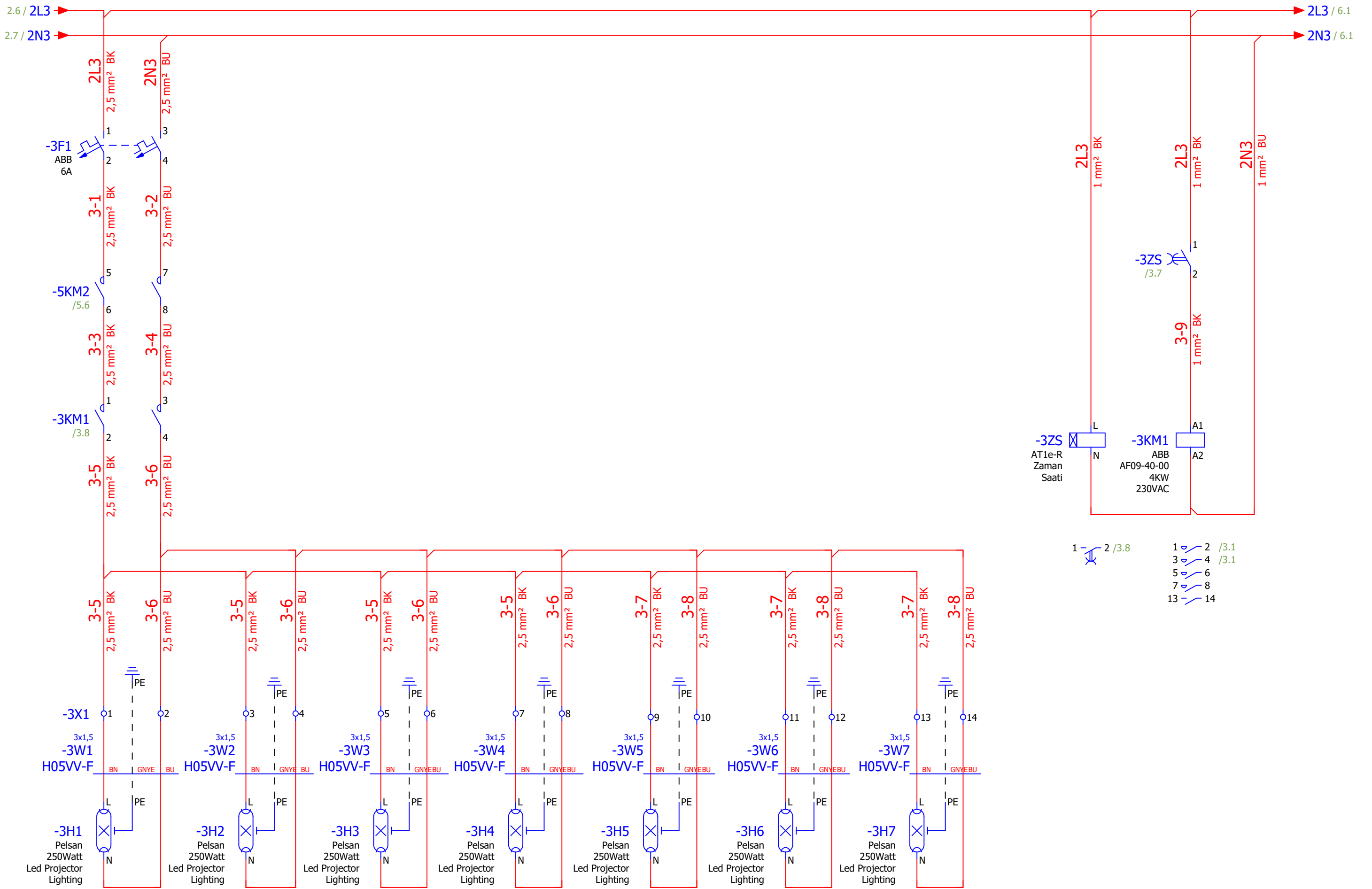




TOUCH PANEL  
BESLEME

CPU BESLEME

PLC KART BESLEME



EDITOR	Kemal Olgun
DATE	27.012022
CONTROLLER	Arif Az

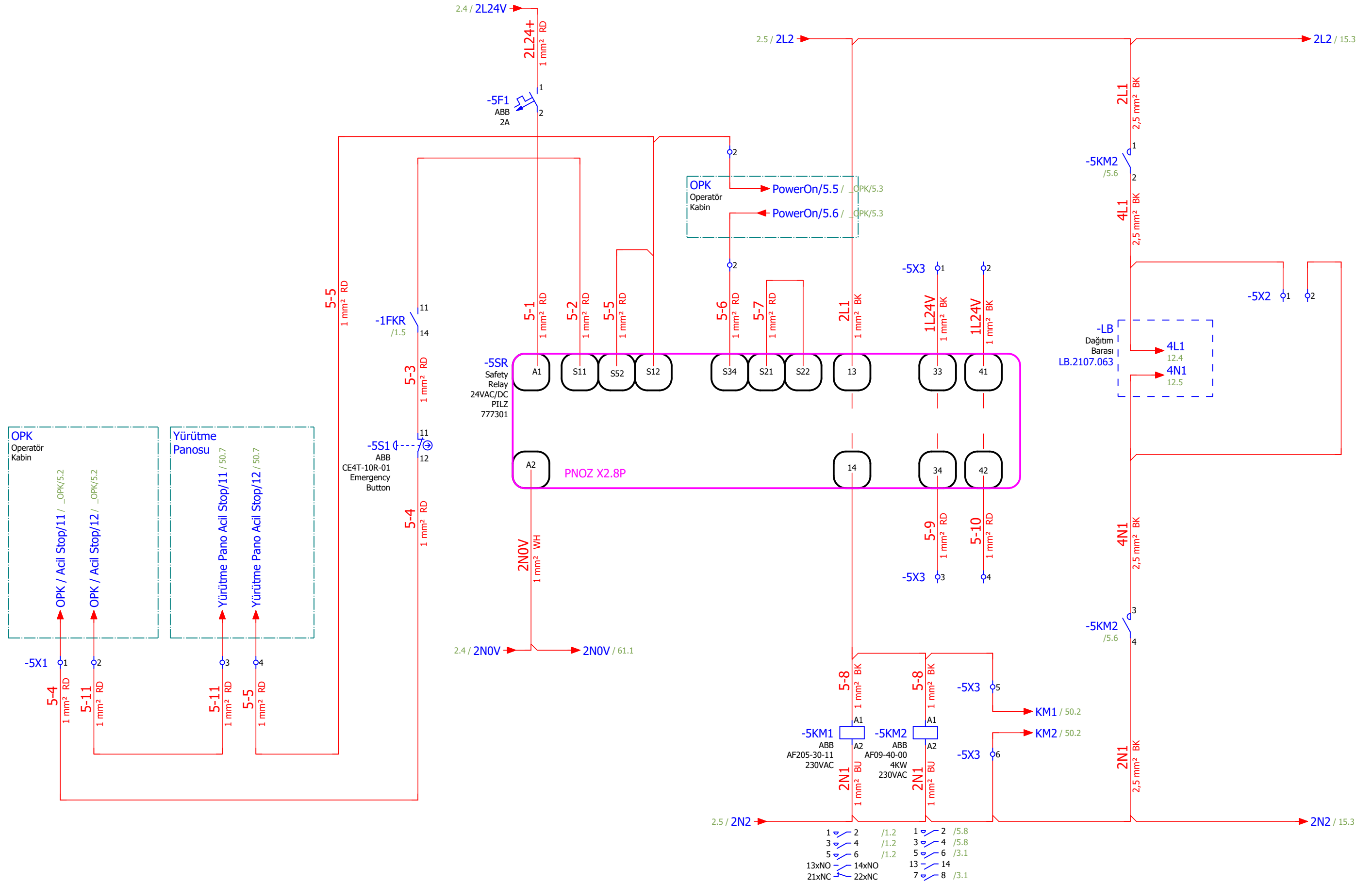


Beşiktaş Yüzer Havuz

Bom Projektör

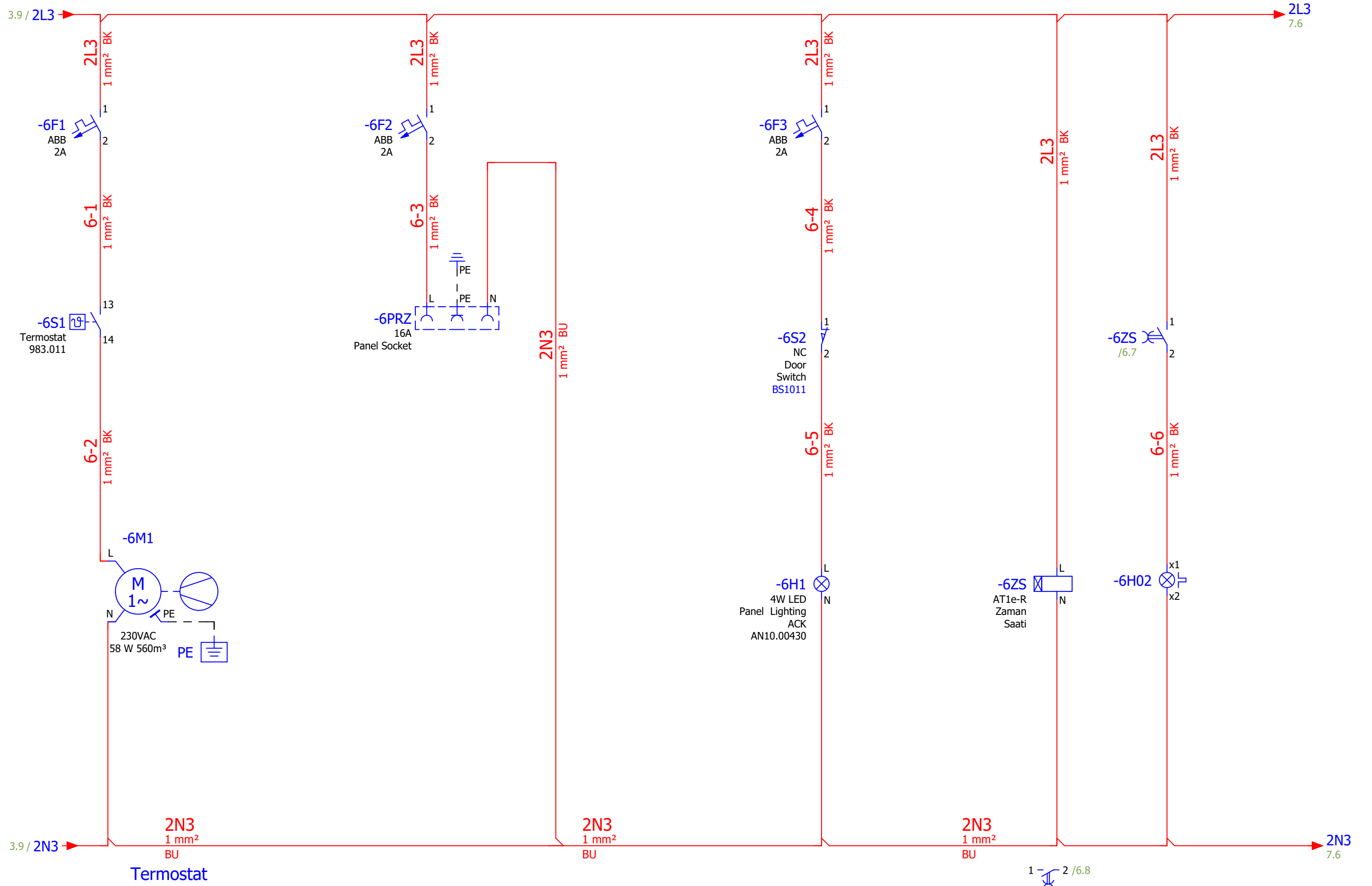
Ana Pano

= 00SMC00GH00x
+ SMC00
Page /β
33



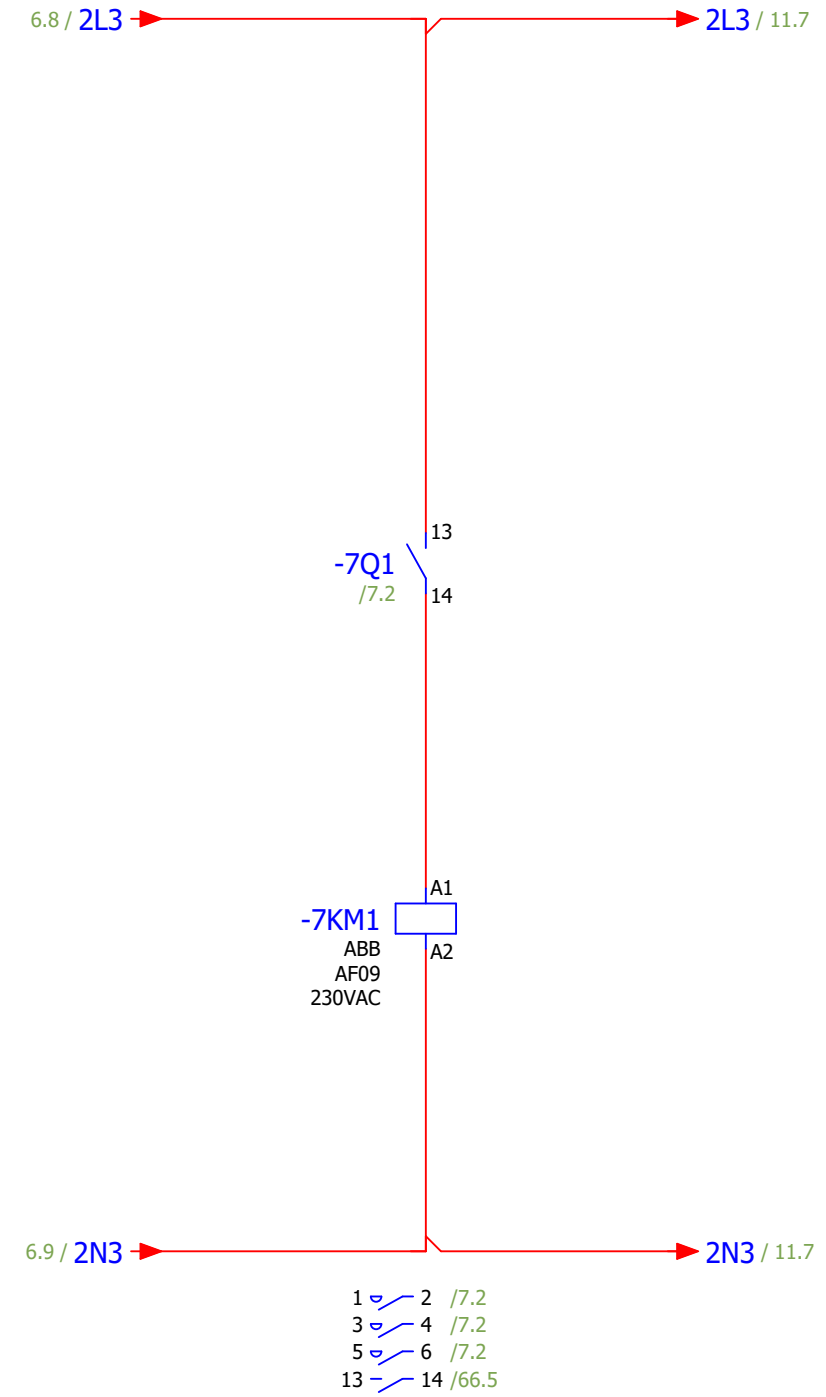
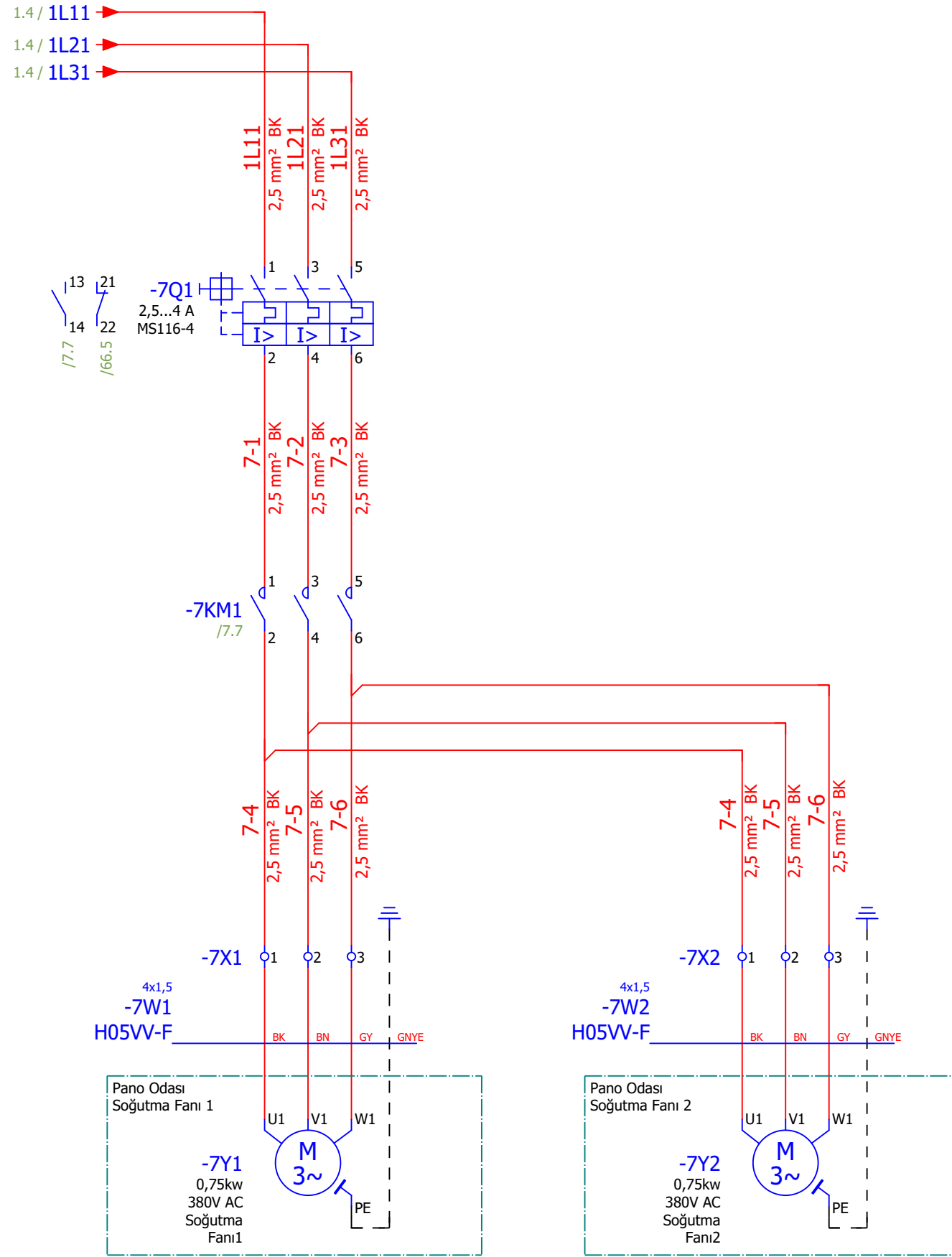
EDITOR	Kemal Olgun
DATE	27.012022
CONTROLLER	Arif Az

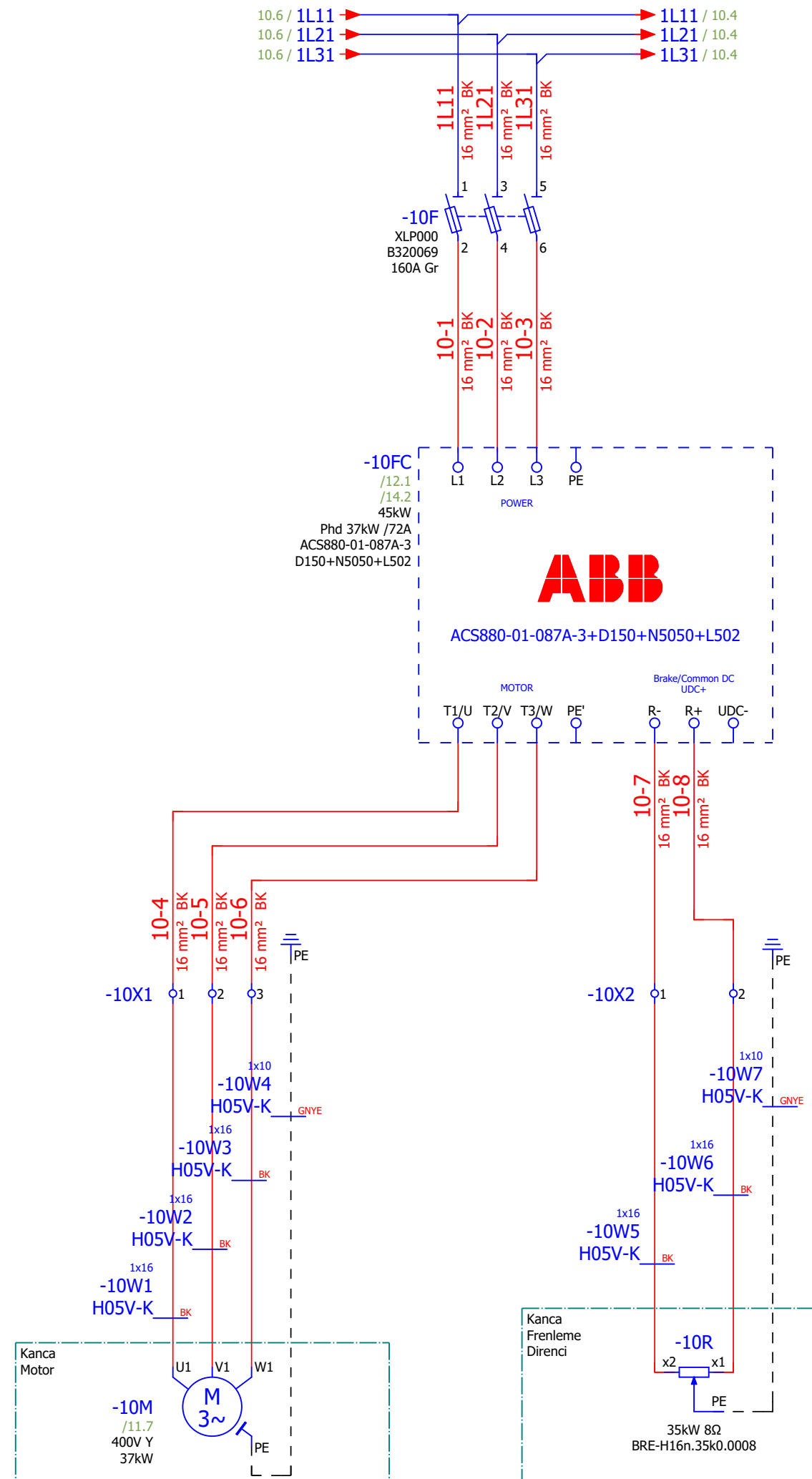




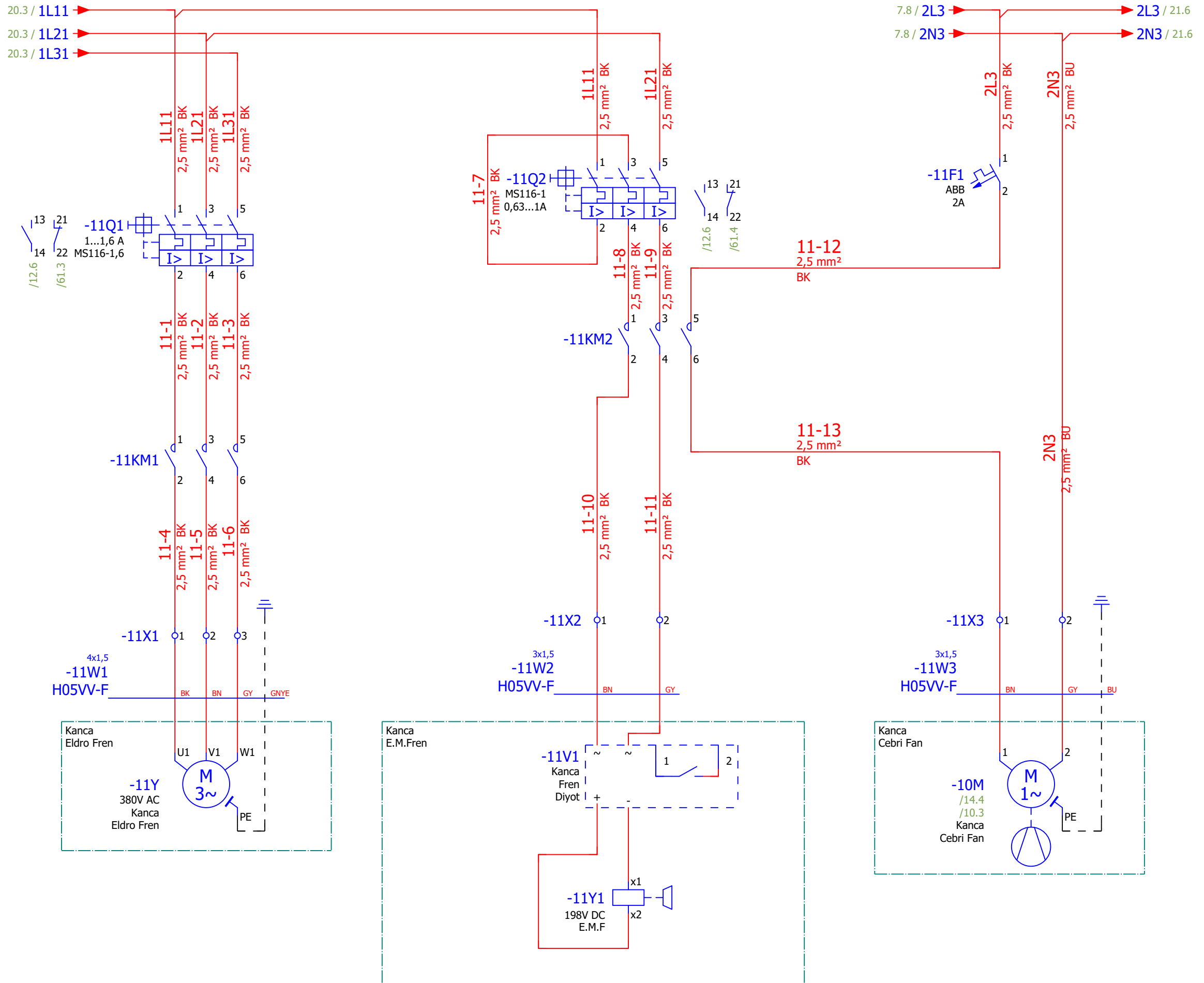
Termostat

Vinç İkaz Lambası





EDITOR	Kemal Olgun		Beşiktaş Yüzer Havuz	Kanca Güç Devresi	Ana Pano	= 00SMC00GH00x + SMC00 Page /10 37
DATE	27.012022					
CONTROLLER	Arif Az					

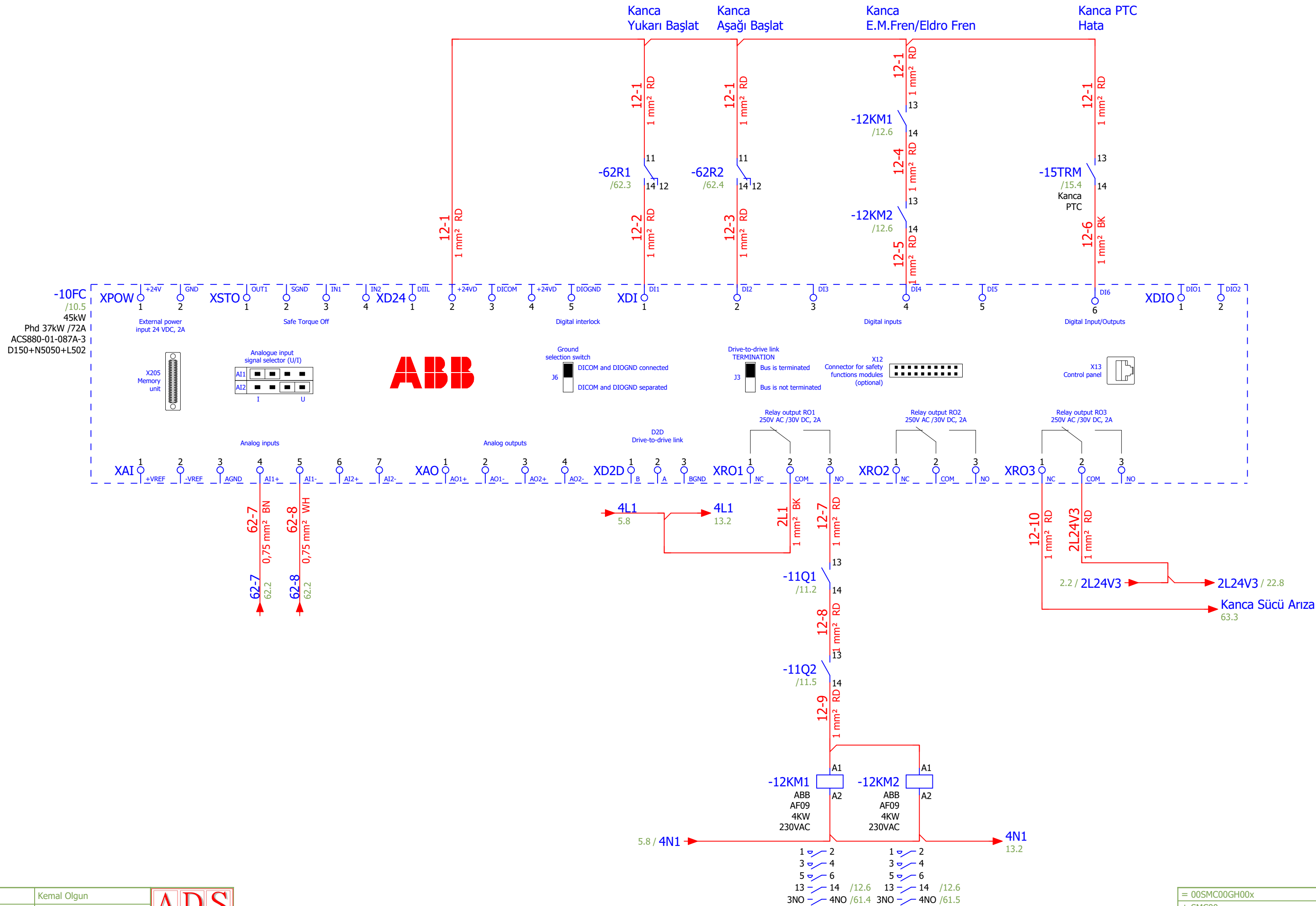


EDITOR	Kemal Olgun
DATE	27.012022
CONTROLLER	Arif Az



Beşiktaş Yüzer Havuz Kanca Eldro Fren/E.M.Fren Devresi Ana Pano

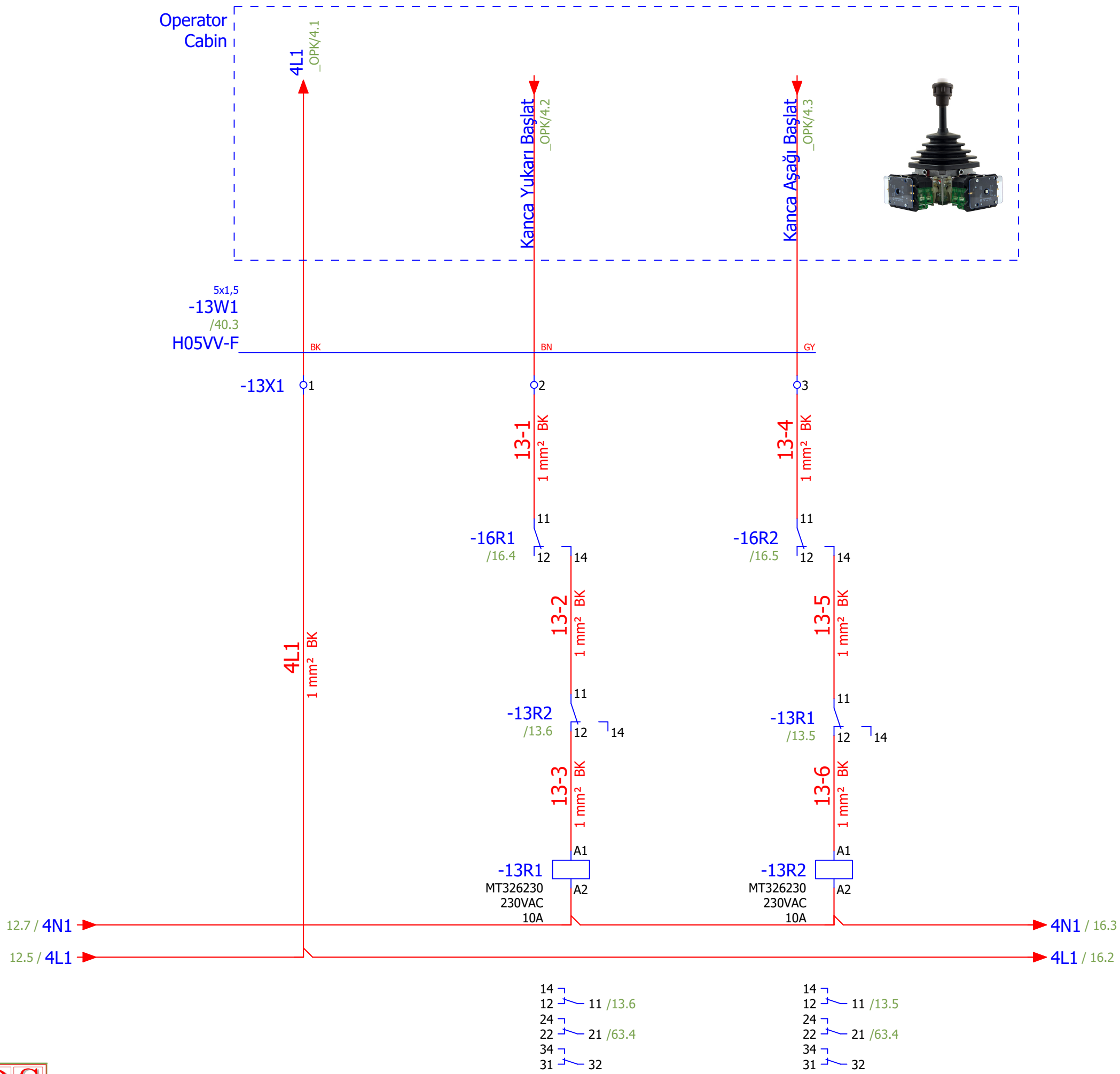
= 00SMC00GH00x
+ SMC00
Page /11
38



EDITOR	Kemal Olgun
DATE	27.012022
CONTROLLER	Arif Az

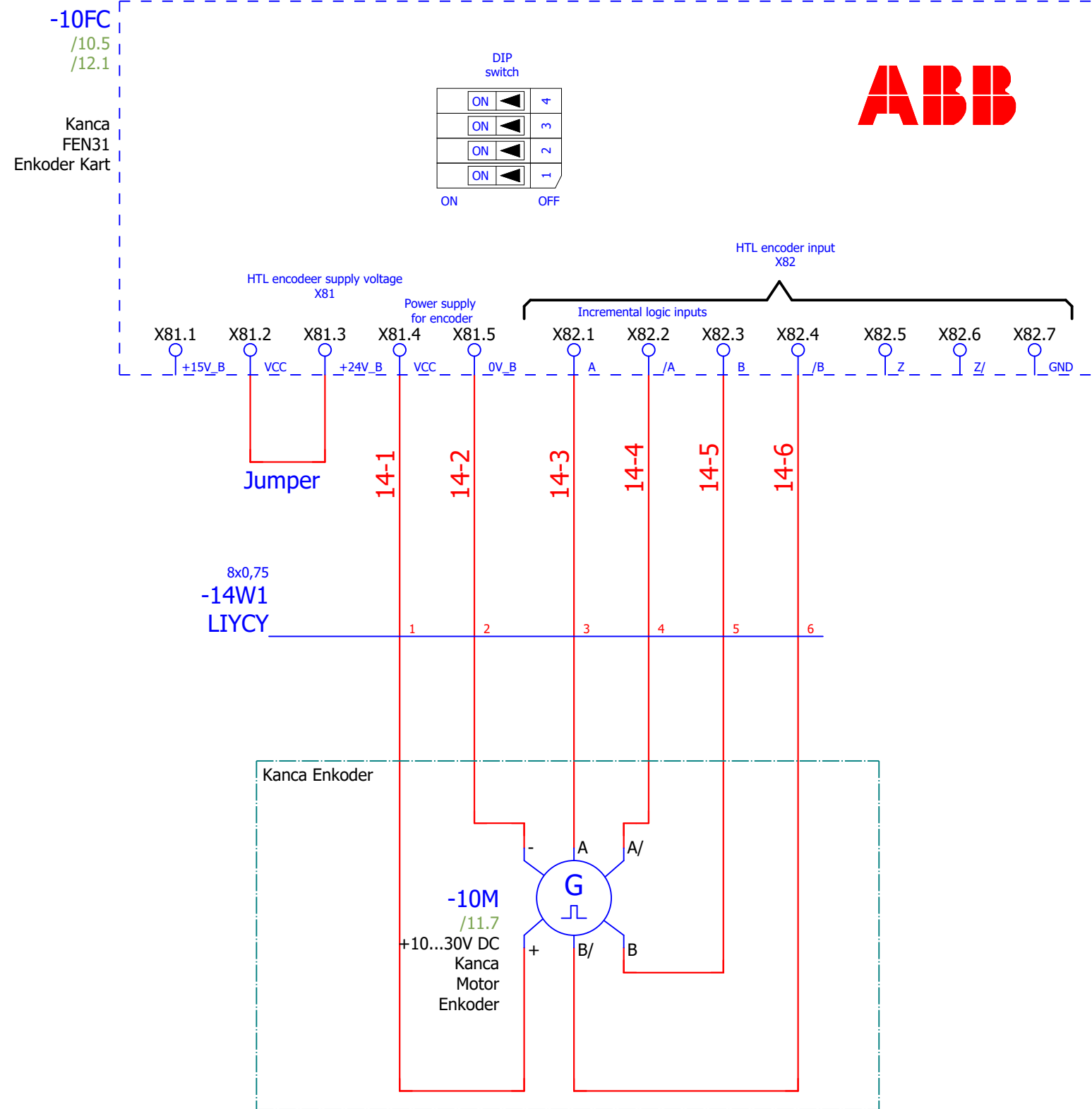


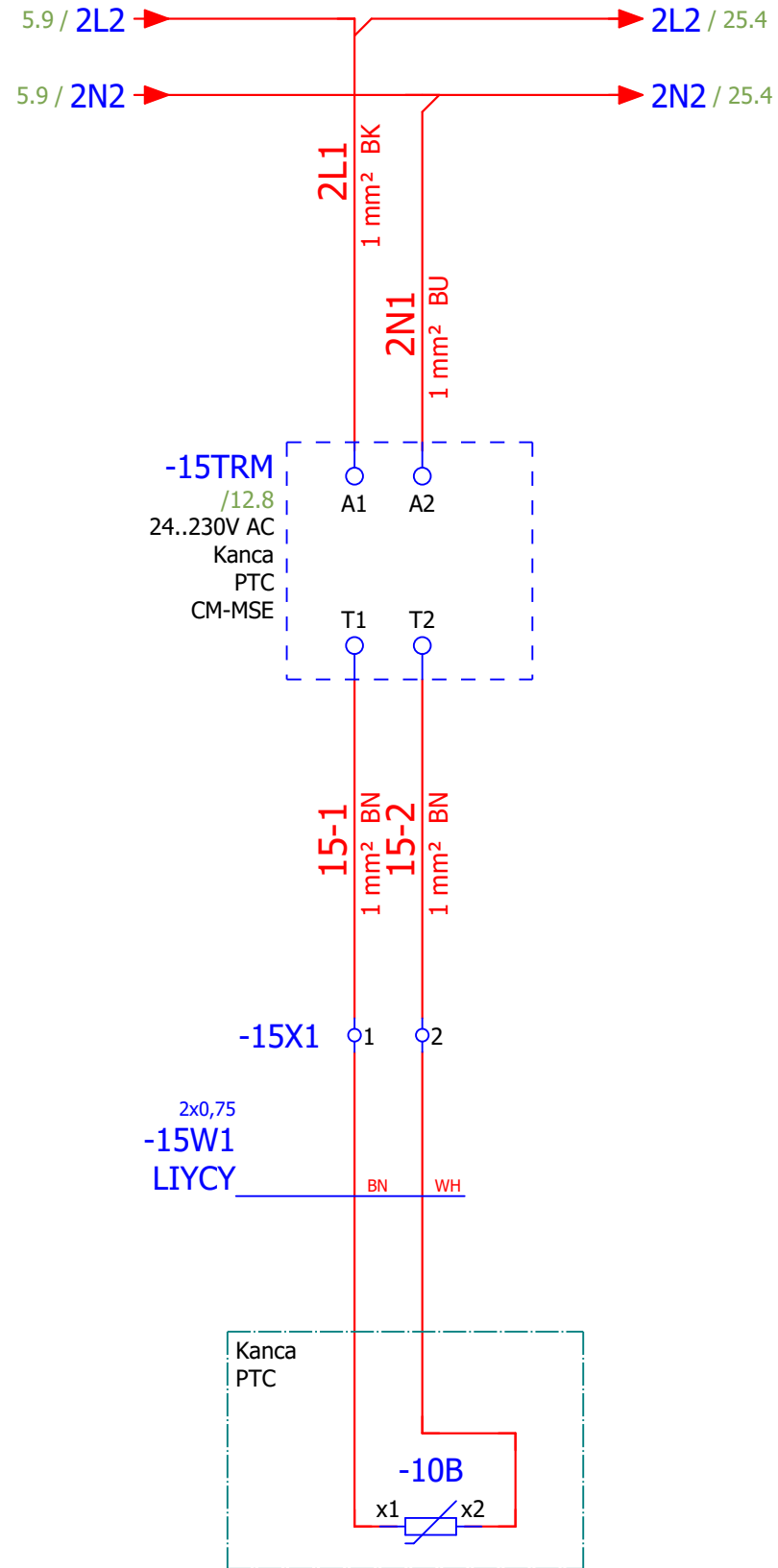
= 00SMC00GH00x
+ SMC00
Page /12
39



EDITOR	Kemal Olgun
DATE	27.012022
CONTROLLER	Arif Az



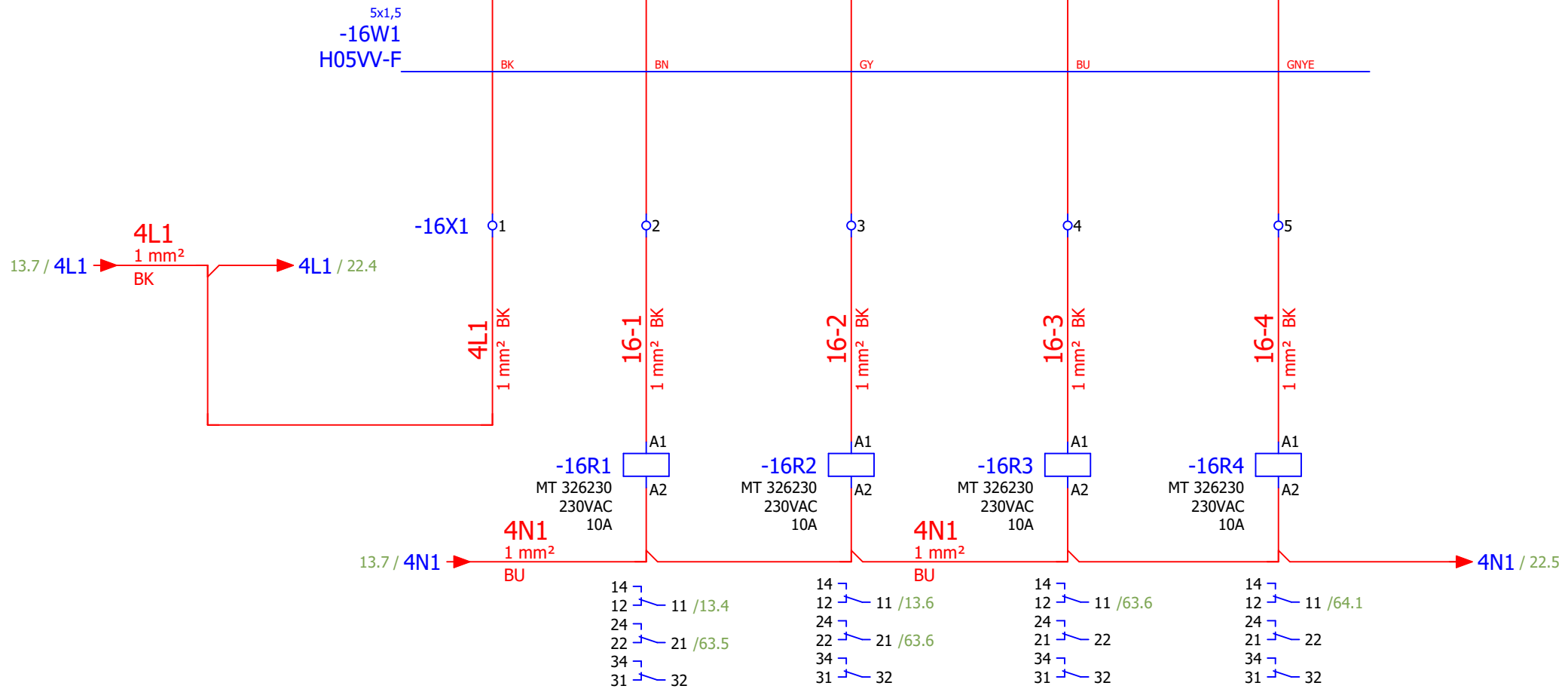
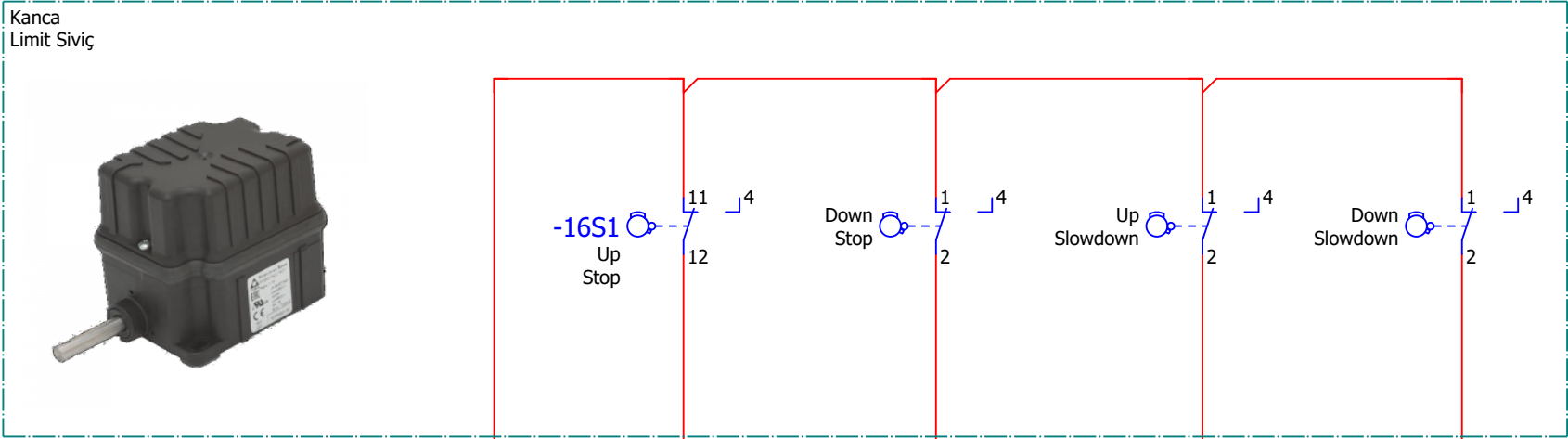




EDITOR	Kemal Olgun
DATE	27.012022
CONTROLLER	Arif Az



= 00SMC00GH00x
+ SMC00
Page /15
42

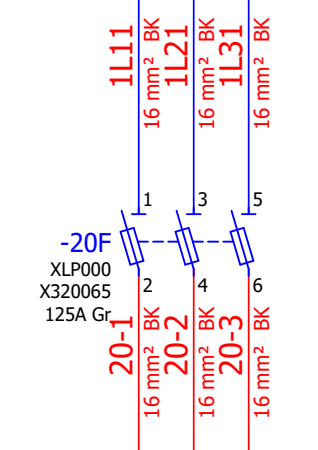


EDITOR	Kemal Olgun
DATE	27.012022
CONTROLLER	Arif Az



11.2 / 1L11  
11.2 / 1L21  
11.2 / 1L31

1L11 / 21.1  
1L21 / 21.1  
1L31 / 21.1

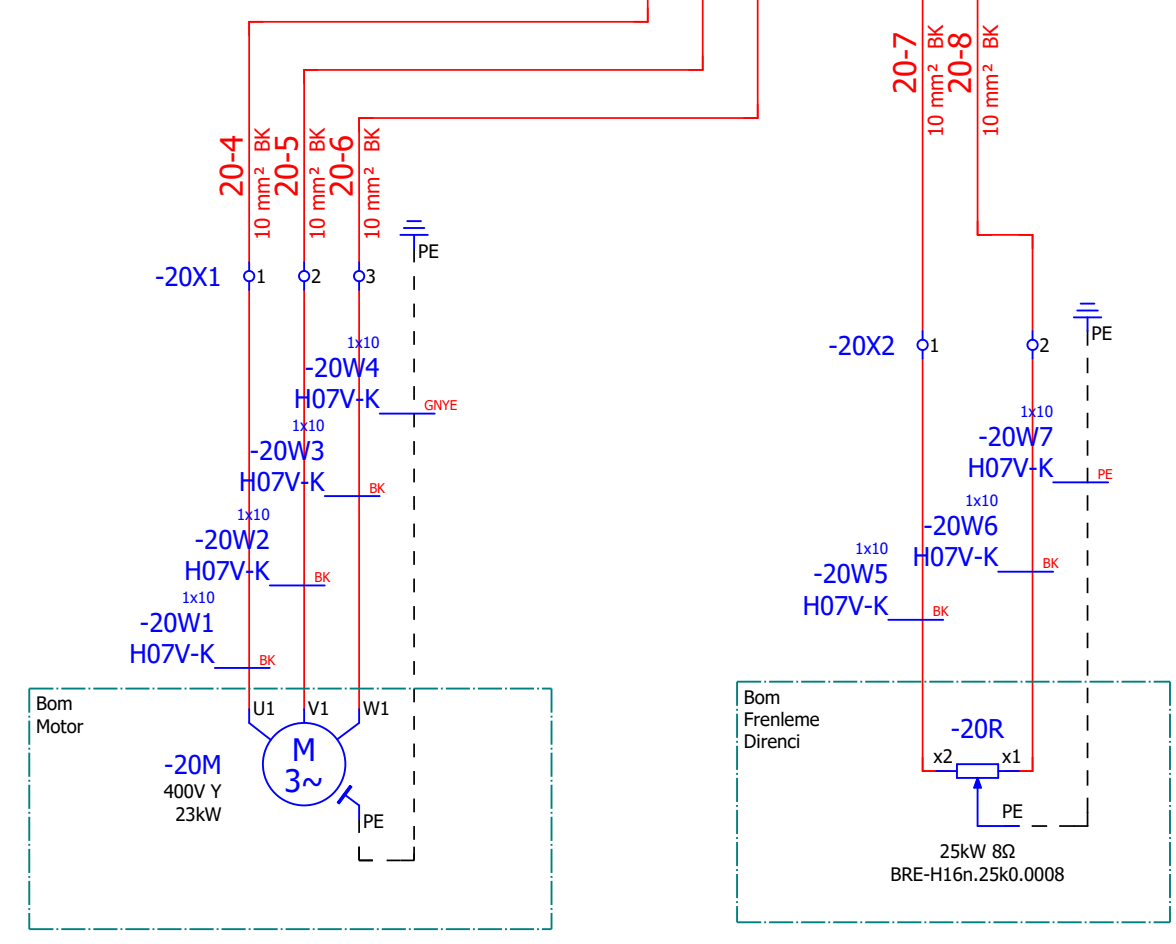
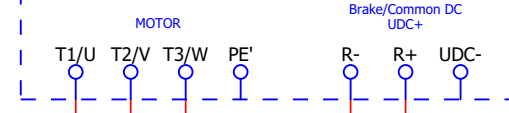


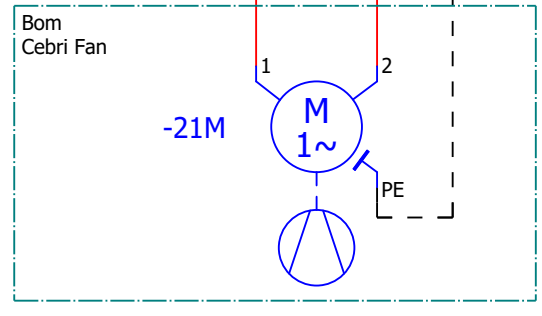
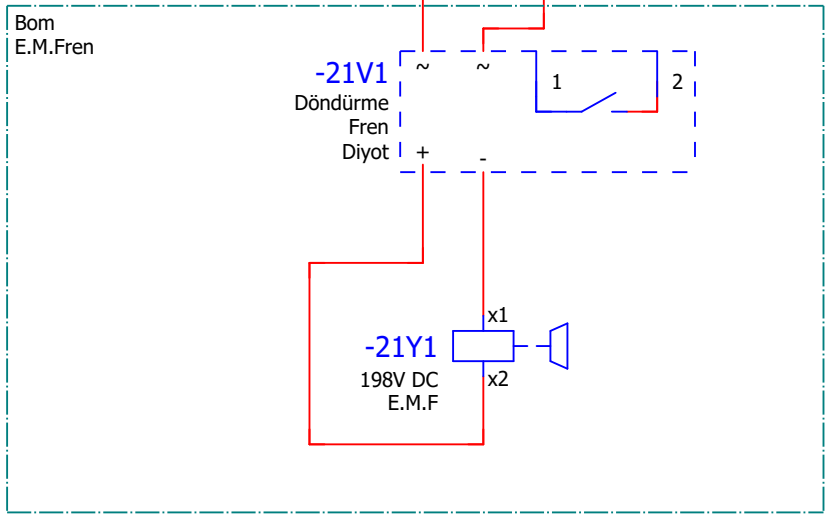
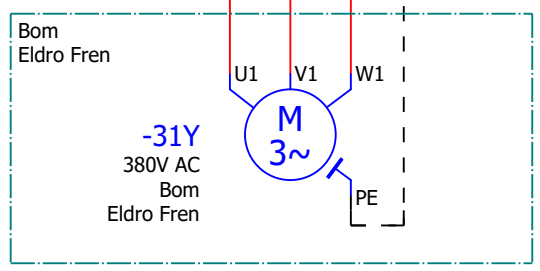
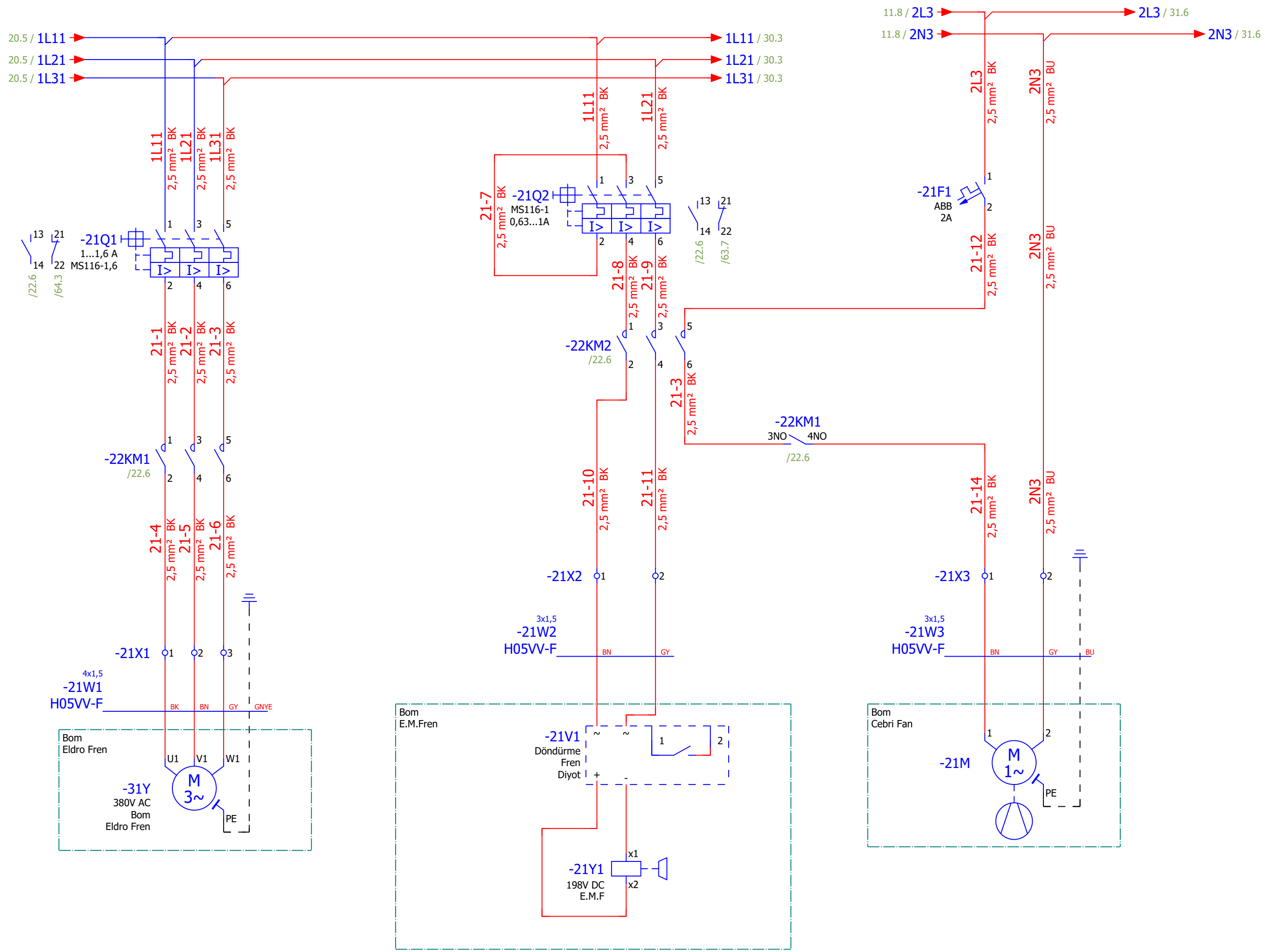
-20F  
XLP000  
X320065  
125A Gr

-20FC  
/22.0  
/24.3  
37kW  
Phd 30kW /61A  
ACS880-01-072A-3  
D150+N5050+L502



ACS880-01-072A-3+D150+N5050+L502

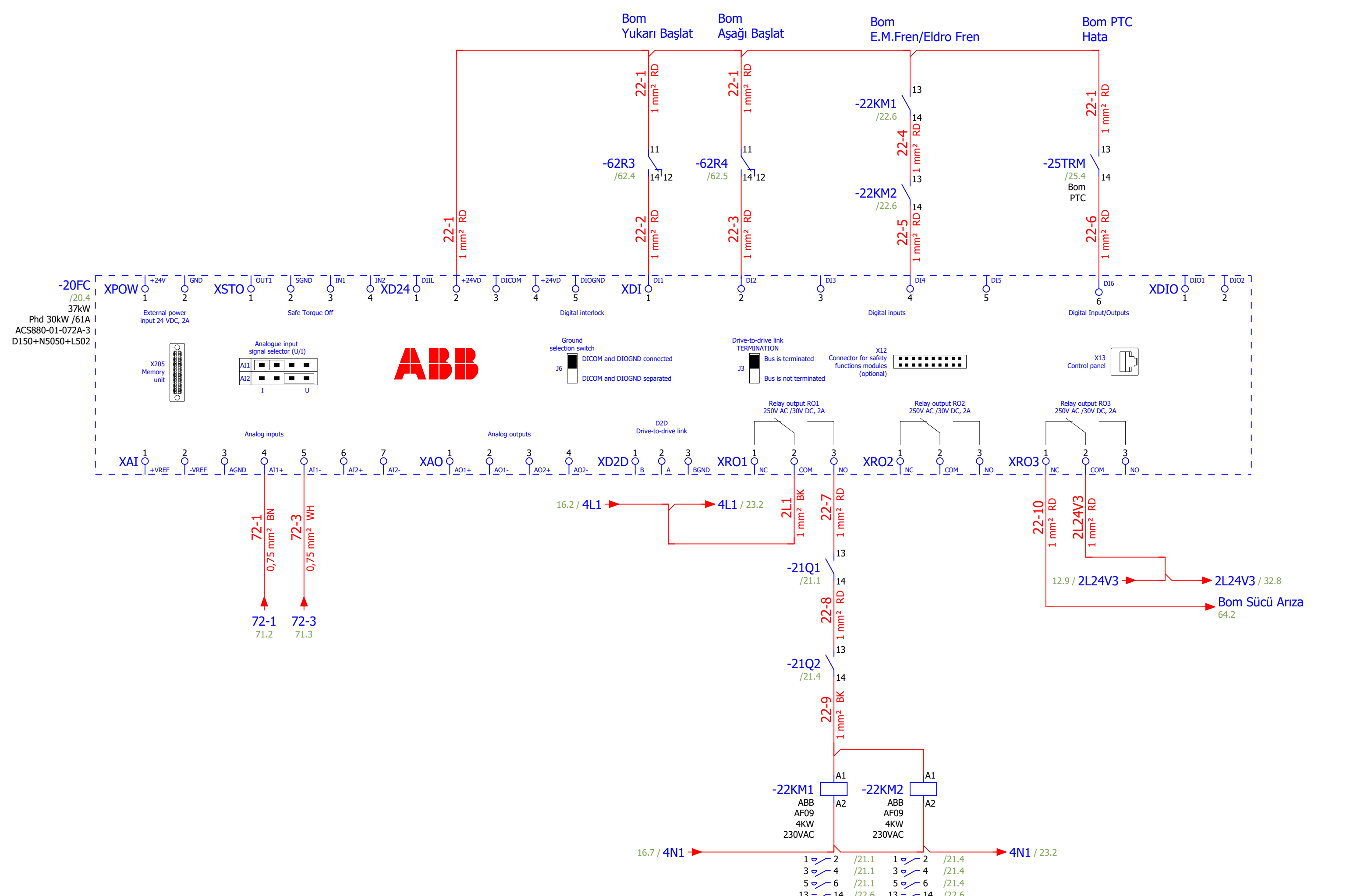




EDITOR	Kemal Olgun
DATE	27.012022
CONTROLLER	Arif Az



= 00SMC00GH00x
+ SMC00
Page /21
45



EDITOR	Kemal Olgun
DATE	27.012022
CONTROLLER	Arif Az

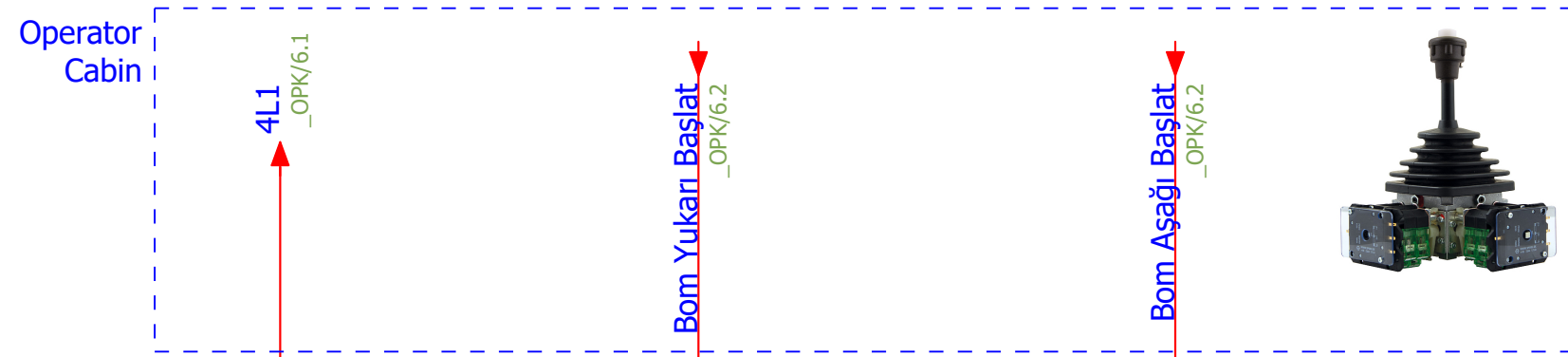


Beşiktaş Yüzer Havuz

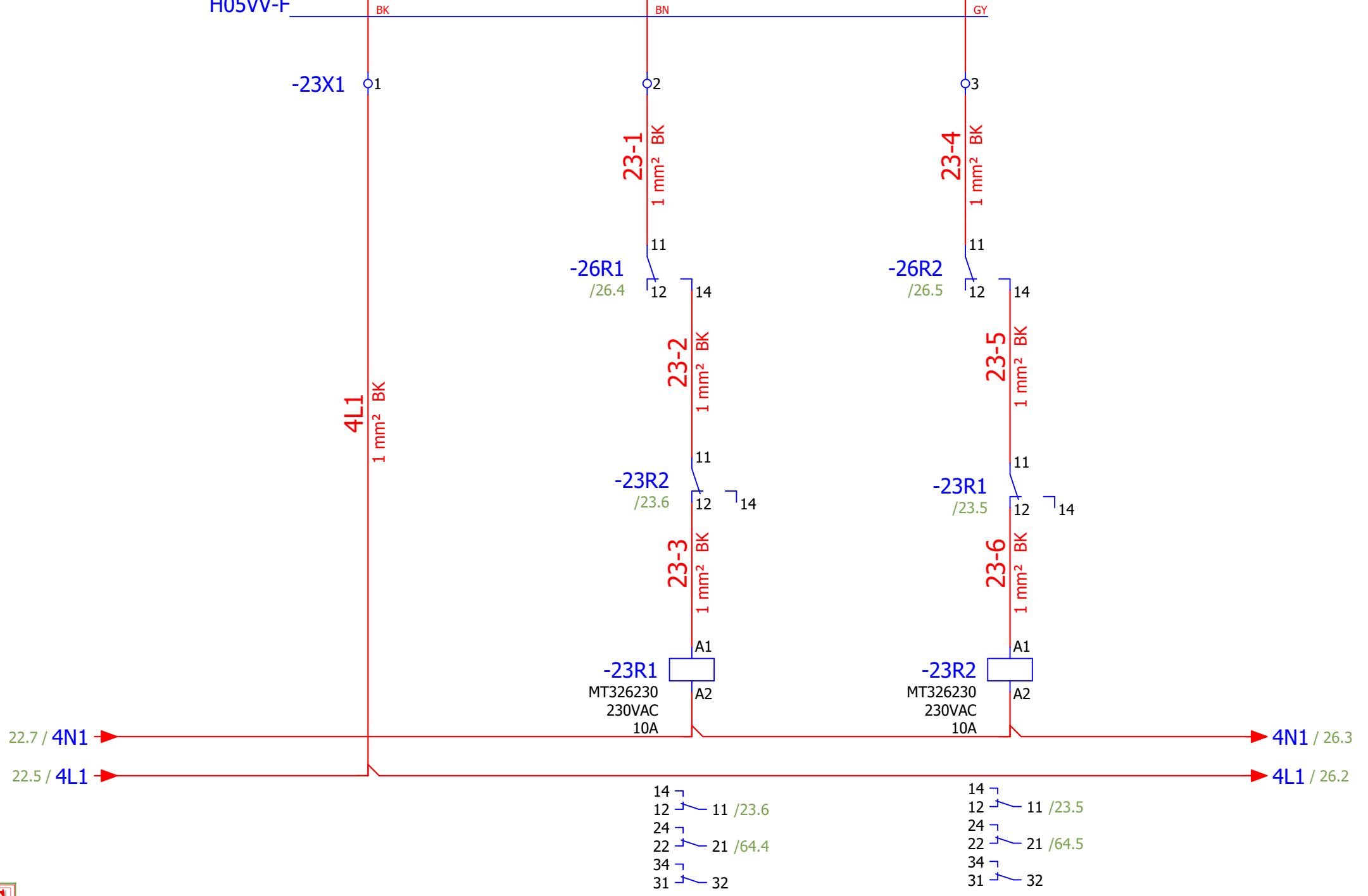
Bom Kontrol Devresi

Ana Pano

= 00SMC00GH00x
+ SMC00
Page /22
46



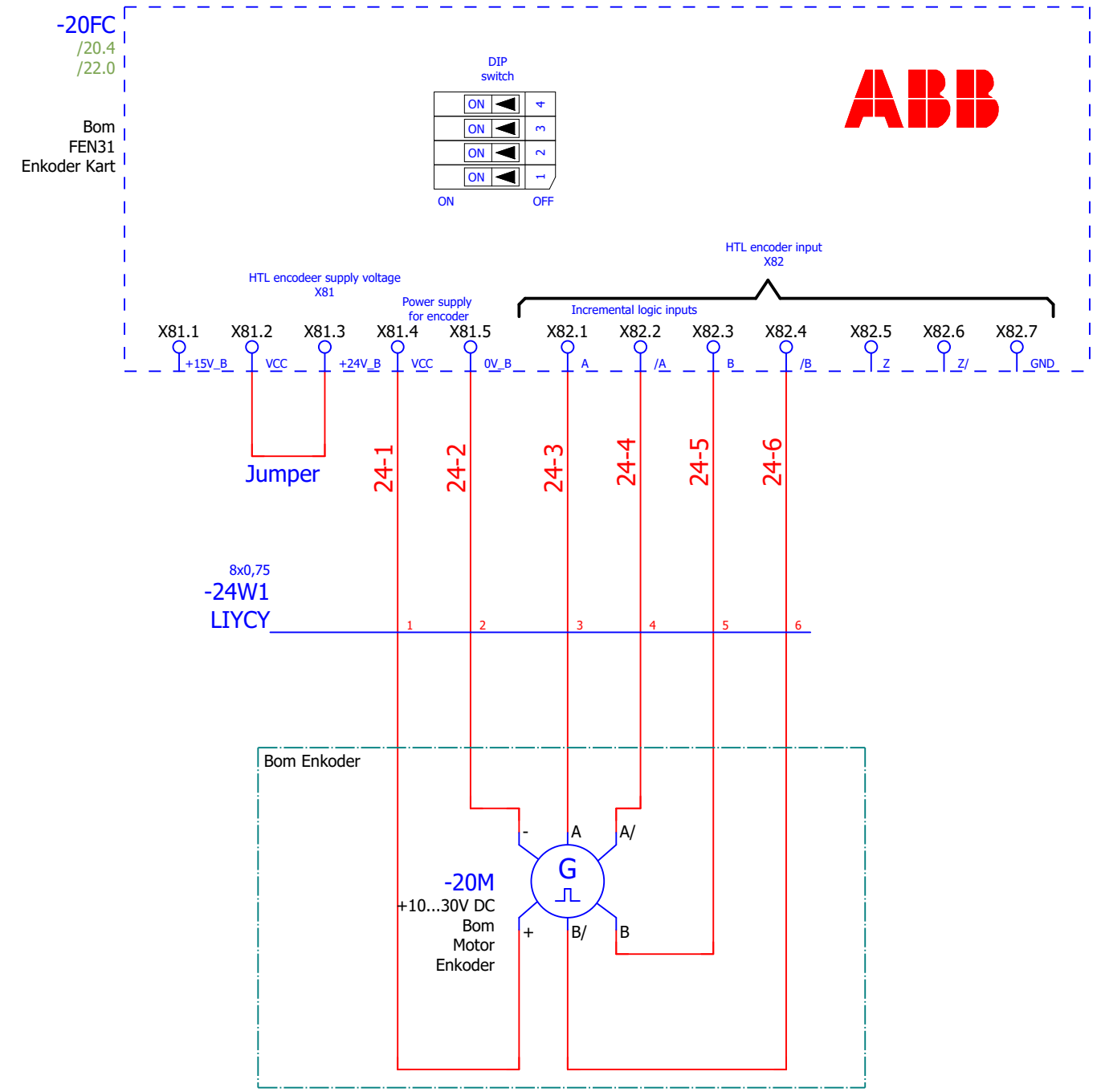
5x1,5  
-23W1  
/33.3  
H05VV-F

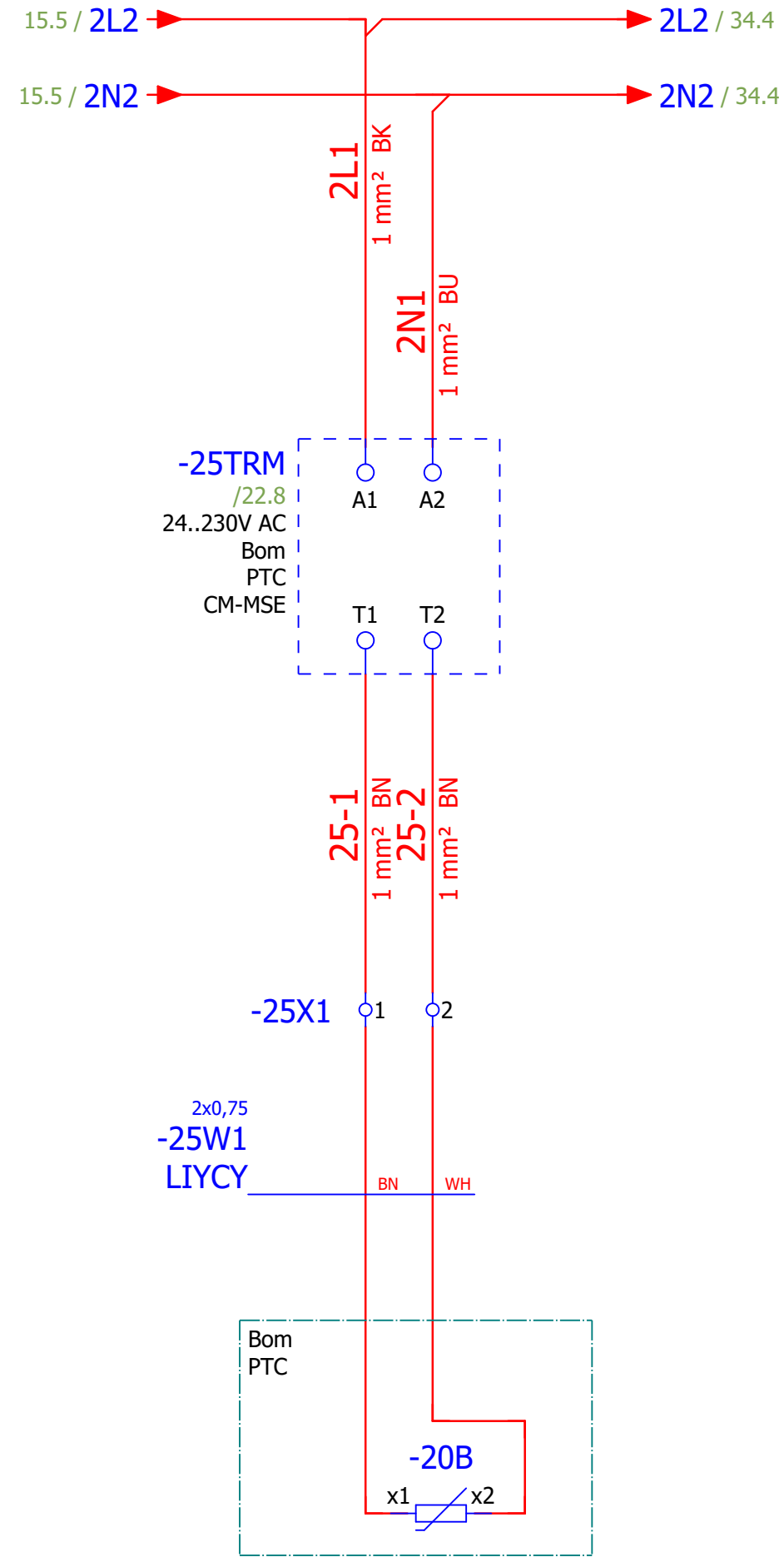


EDITOR	Kemal Olgun
DATE	27.012022
CONTROLLER	Arif Az



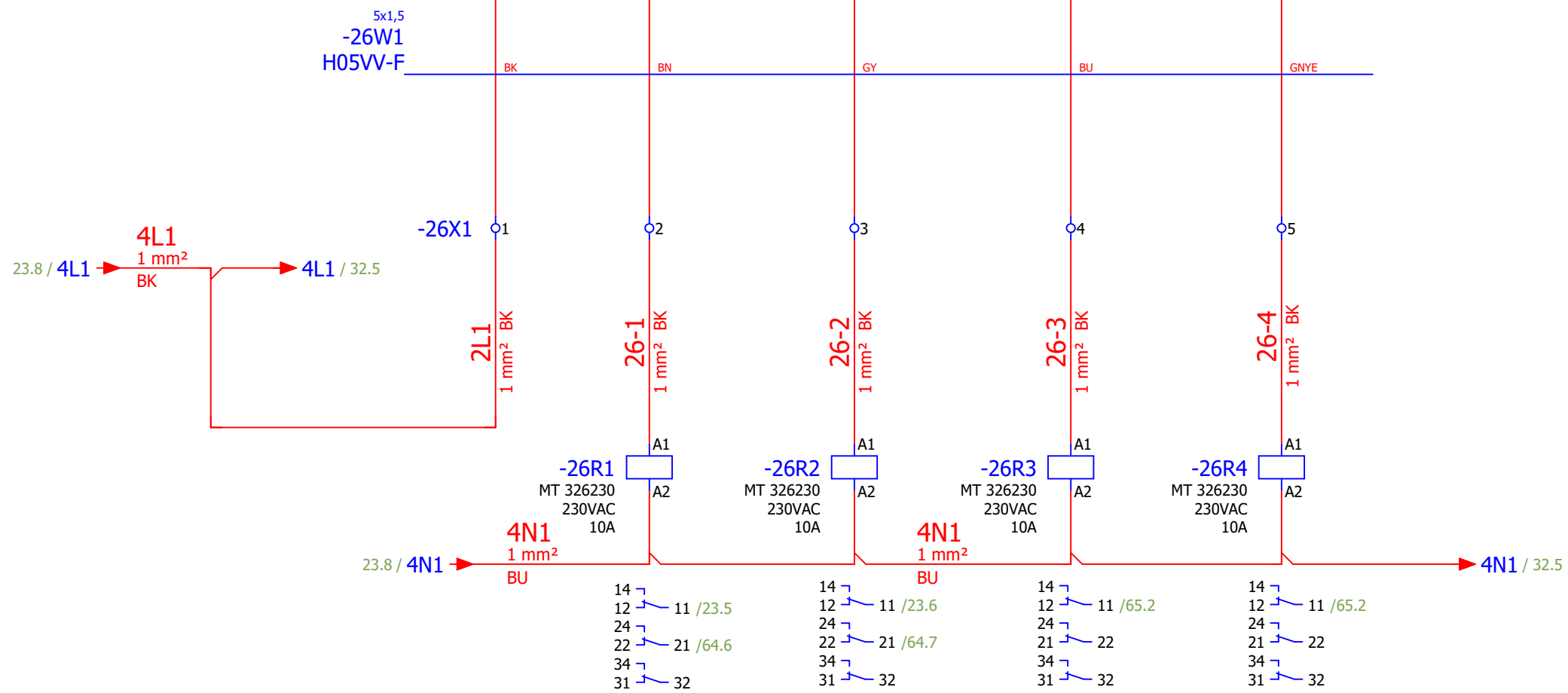
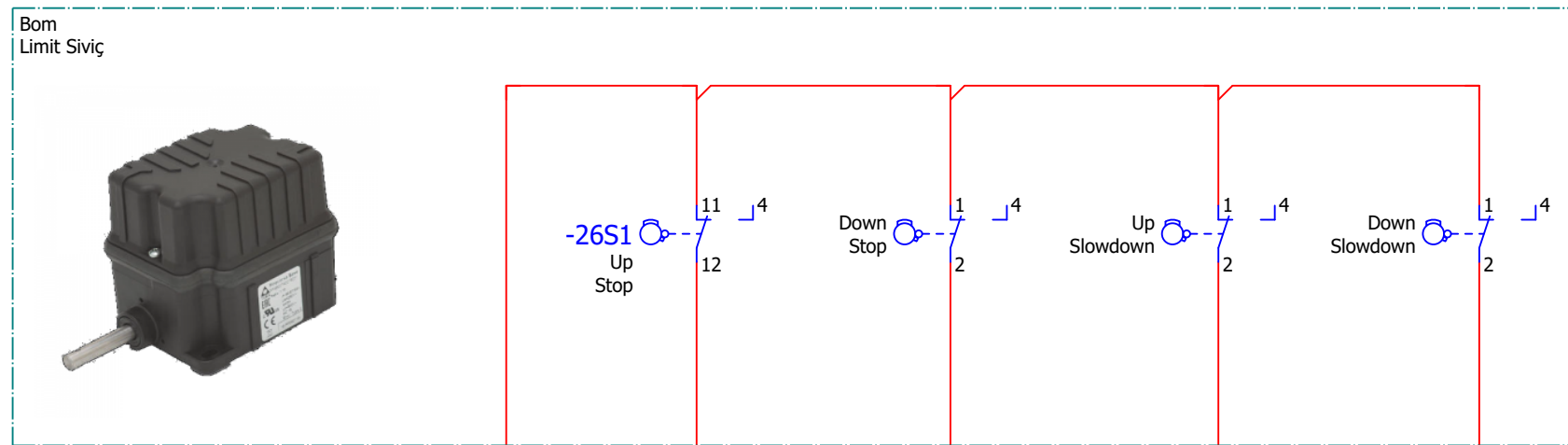
= 00SMC00GH00x
+ SMC00
Page /23
47





EDITOR	Kemal Olgun
DATE	27.012022
CONTROLLER	Arif Az





21.5 / 1L11  
21.5 / 1L21  
21.5 / 1L31

1L11  
2,5 mm<sup>2</sup> BK  
1L21  
2,5 mm<sup>2</sup> BK  
1L31  
2,5 mm<sup>2</sup> BK

-30F  
XLP000  
C320047  
40A Gr

30-1  
2,5 mm<sup>2</sup> BK  
30-2  
2,5 mm<sup>2</sup> BK  
30-3  
2,5 mm<sup>2</sup> BK

-30FC  
/32.0  
11kW  
Phd 7,5kW / 17A  
ACS880-01-025A-3

**ABB**  
ACS880-01-025A-3

MOTOR  
T1/U T2/V T3/W PE'  
Brake/Common DC  
UDC+ UDC-

30-4  
2,5 mm<sup>2</sup> BK  
30-5  
2,5 mm<sup>2</sup> BK  
30-6  
2,5 mm<sup>2</sup> BK  
-30X1  
4x2,5  
H05VV-F  
BK BN GY BU

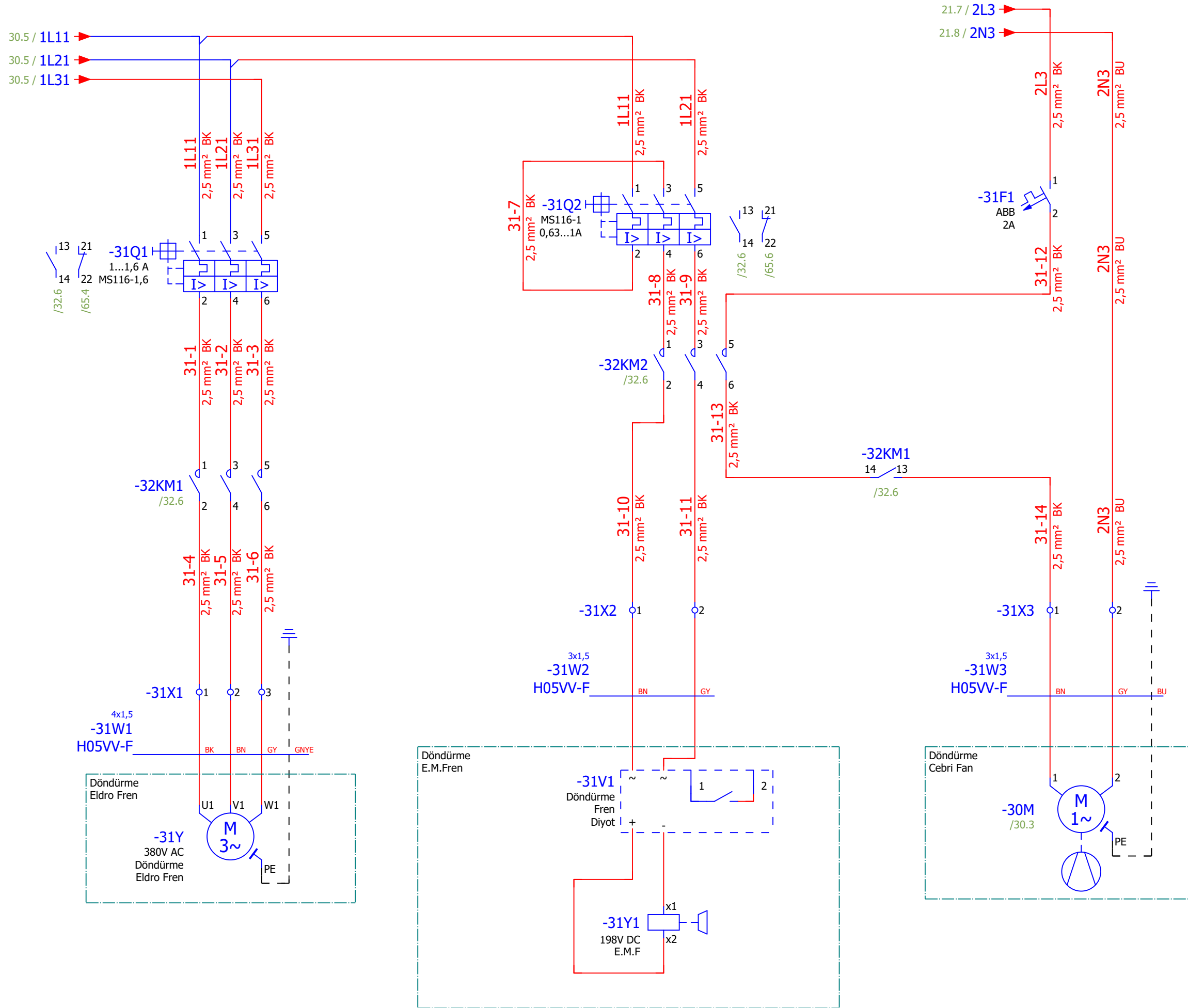
30-7  
2,5 mm<sup>2</sup> BK  
30-8  
2,5 mm<sup>2</sup> BK  
-30X2  
3x2,5  
H05VV-F  
BN GY BU

Döndürme Motor  
M  
3~  
-30M  
/31.6  
400V Y  
10kW

Döndürme Frenleme Direnci  
-30R  
x2 x1  
PE  
8kW 44Ω  
BRS-H04b.08k0.0044

EDITOR	Kemal Olgun
DATE	27.012022
CONTROLLER	Arif Az

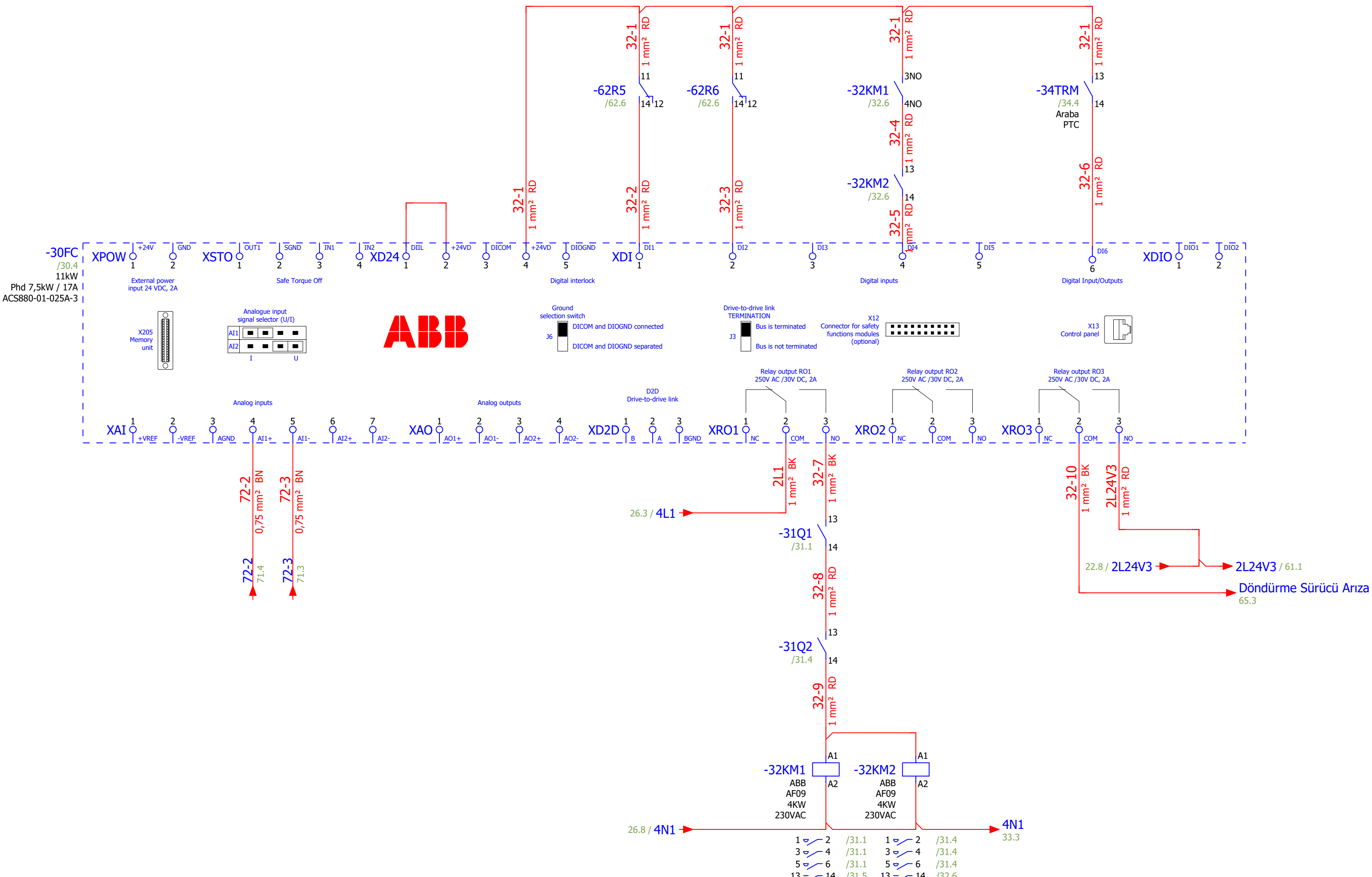


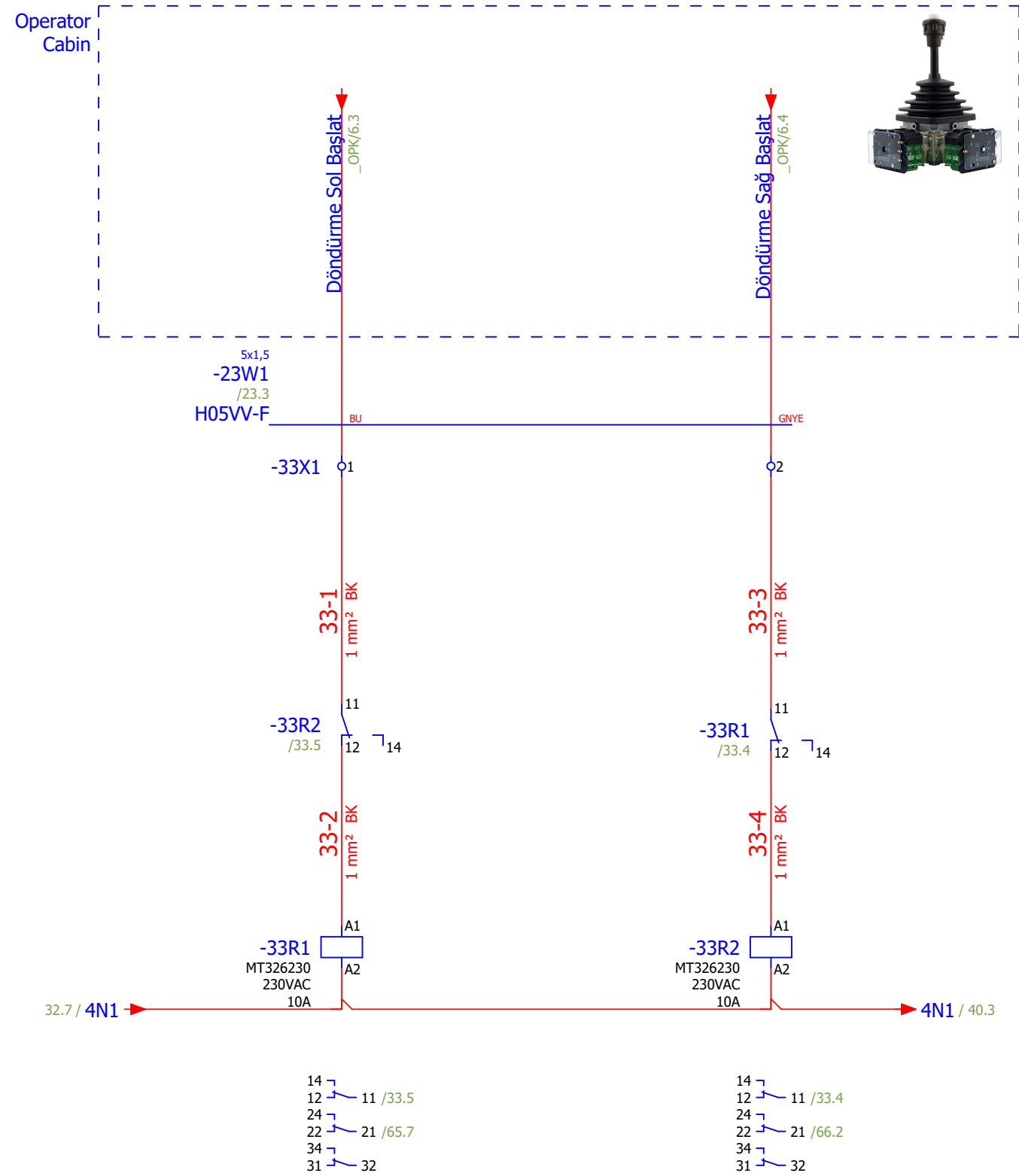


EDITOR	Kemal Olgun
DATE	27.012022
CONTROLLER	Arif Az



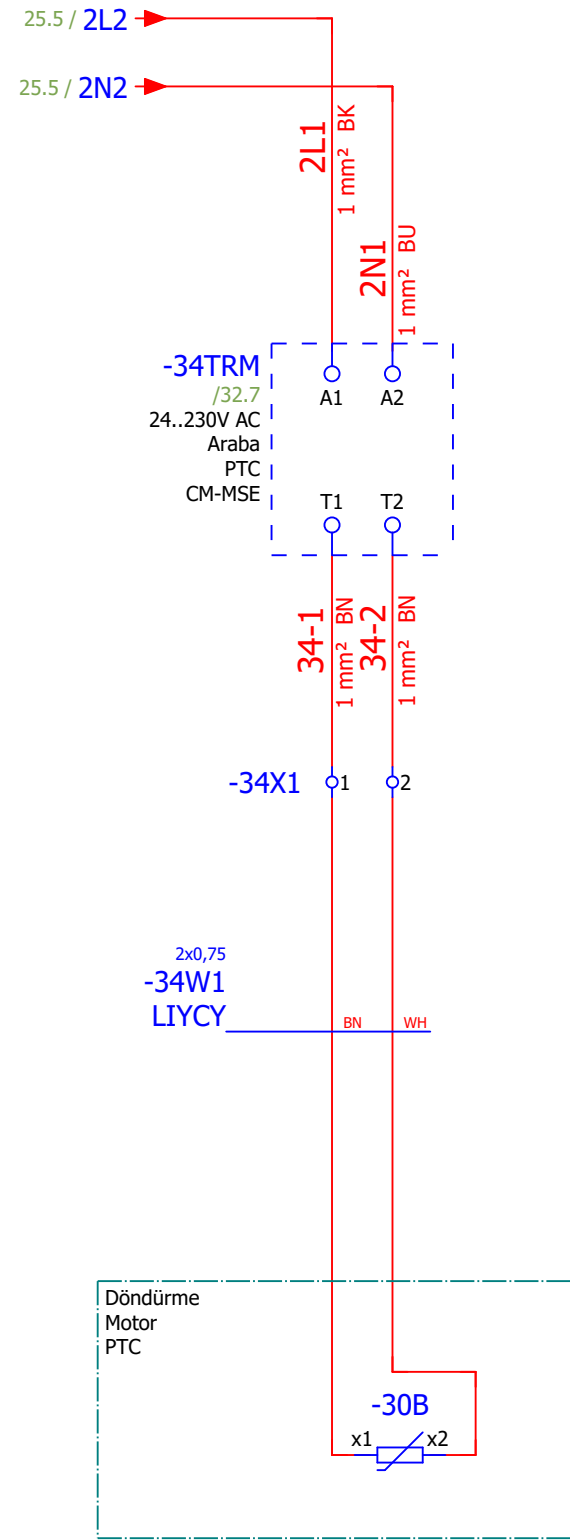
Döndürme Sol Başlat    Döndürme Sağ Başlat    Döndürme E.M.Fren/Eldro Fren    Döndürme PTC Hata





EDITOR	Kemal Olgun
DATE	27.012022
CONTROLLER	Arif Az

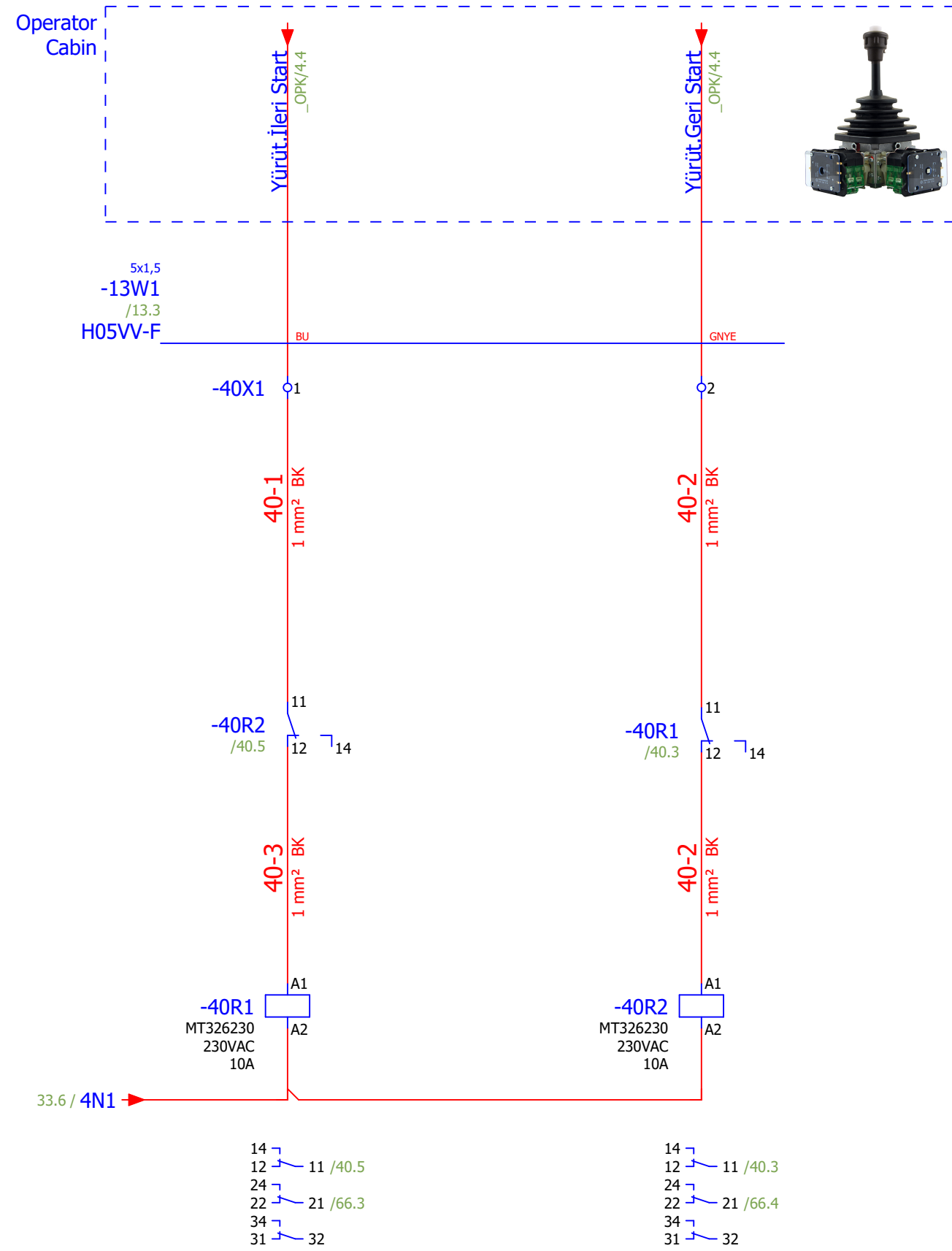




EDITOR	Kemal Olgun
DATE	27.012022
CONTROLLER	Arif Az



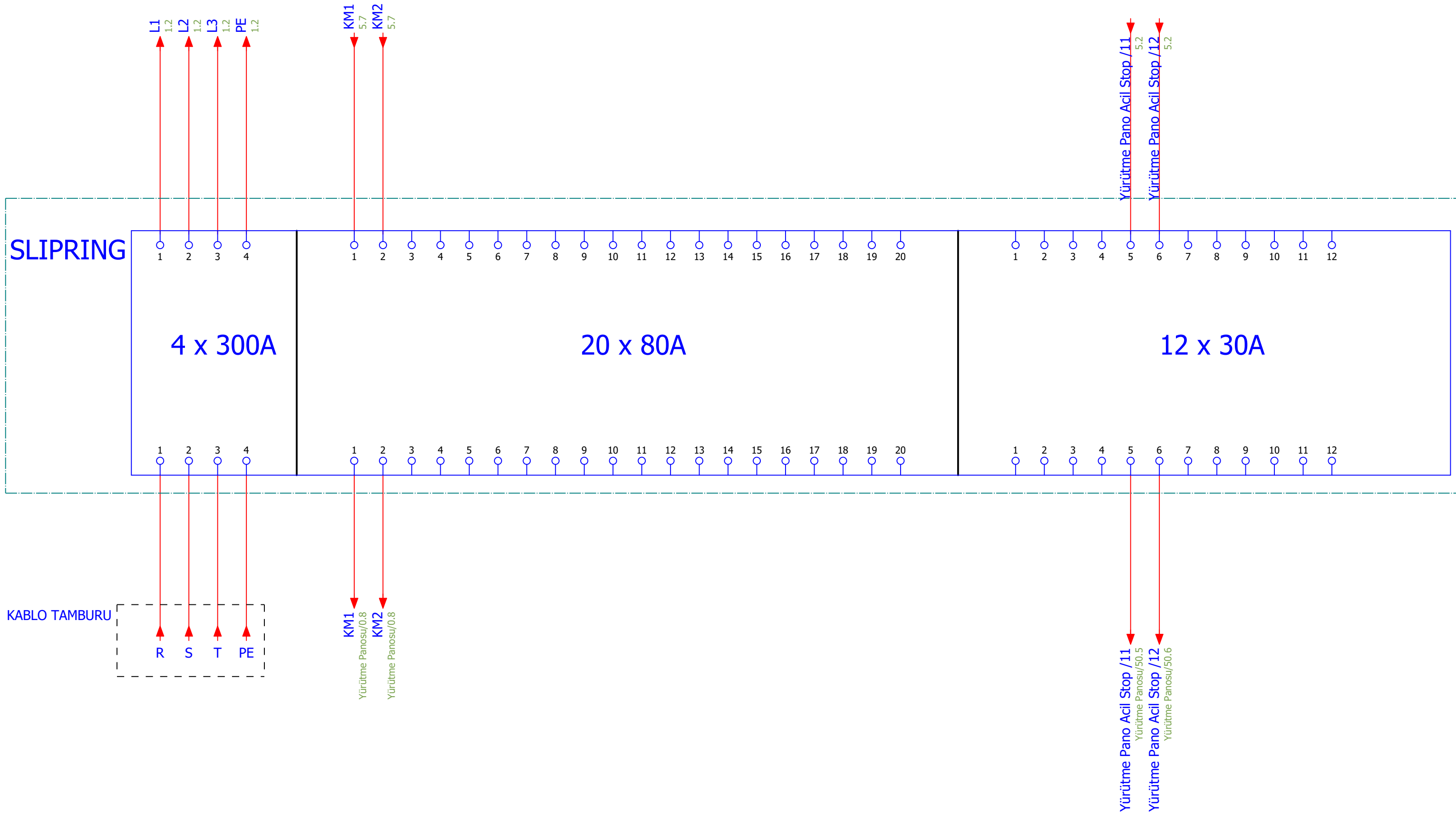
= 00SMC00GH00x
+ SMC00
Page /34
55



EDITOR	Kemal Olgun
DATE	27.012022
CONTROLLER	Arif Az

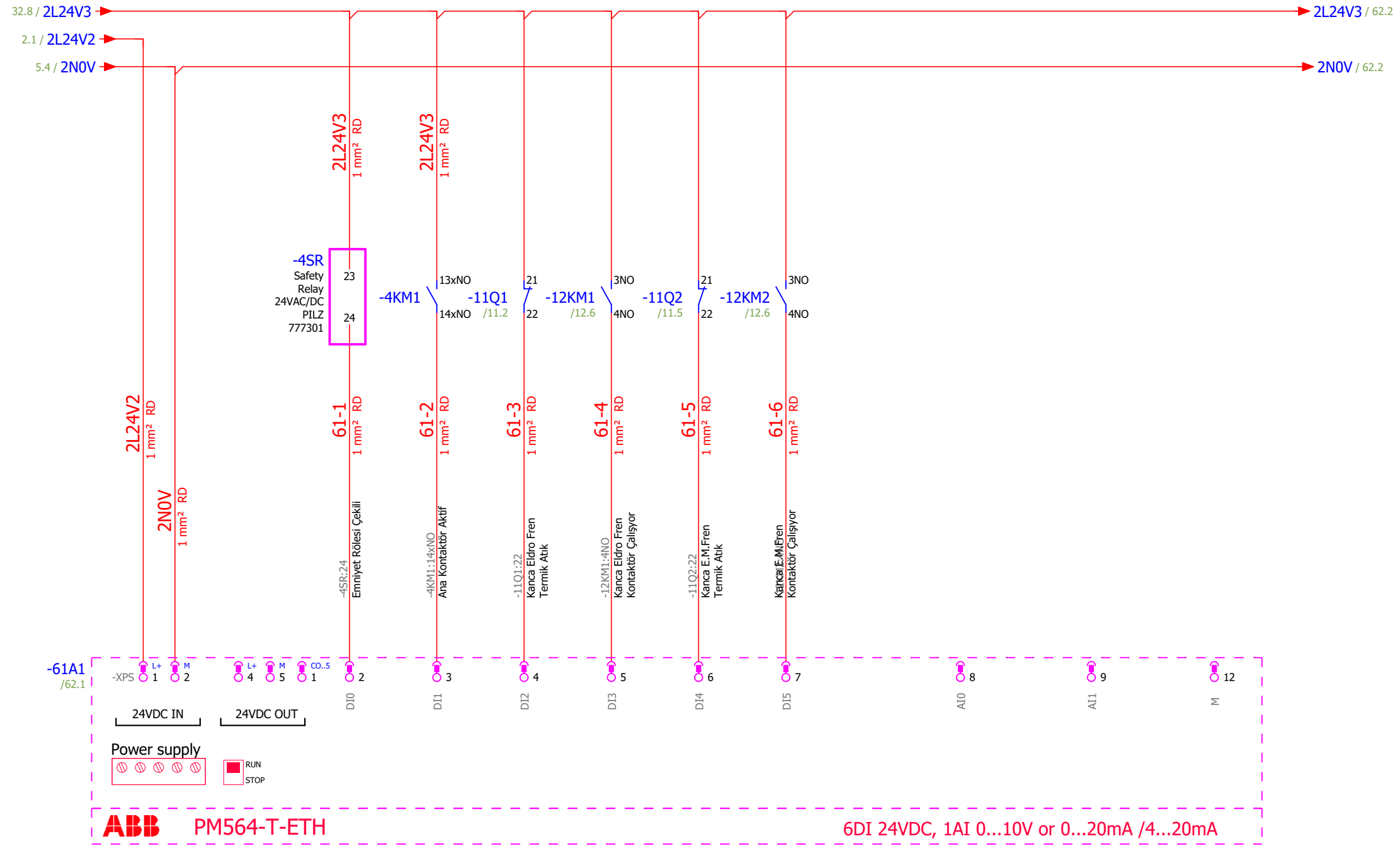


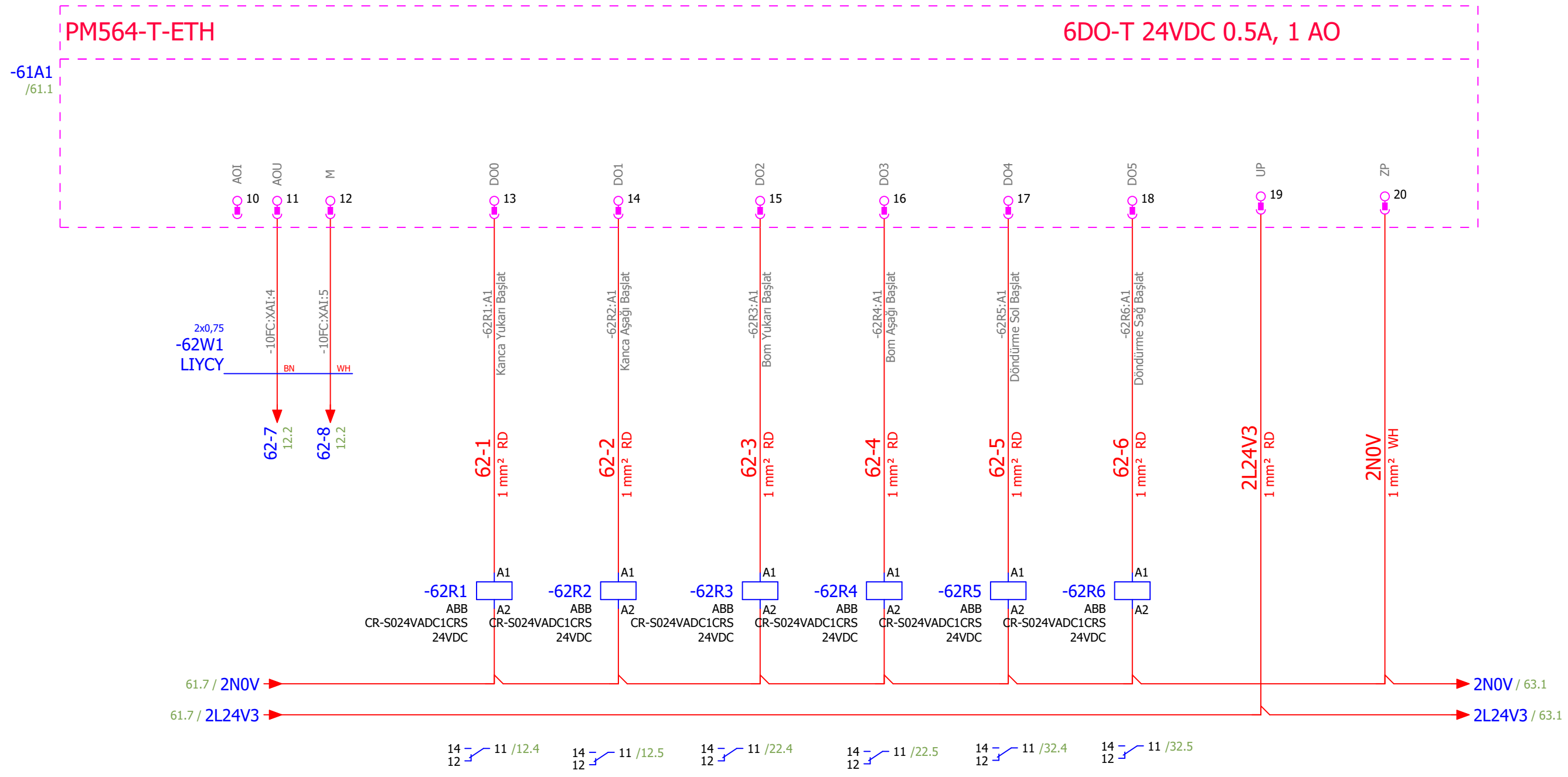
= 00SMC00GH00x
+ SMC00
Page /40
56

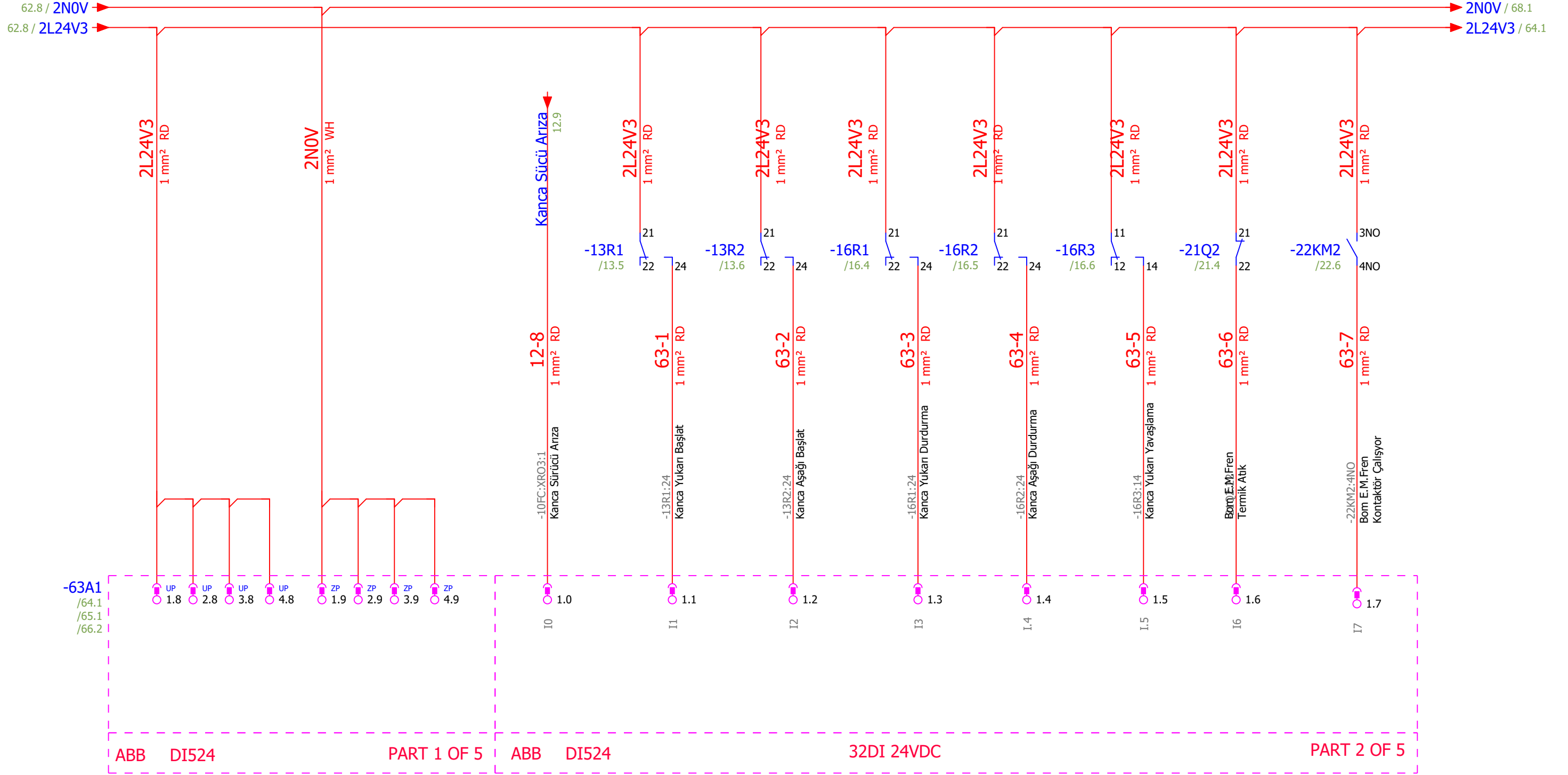


EDITOR	Kemal Olgun
DATE	27.012022
CONTROLLER	Arif Az

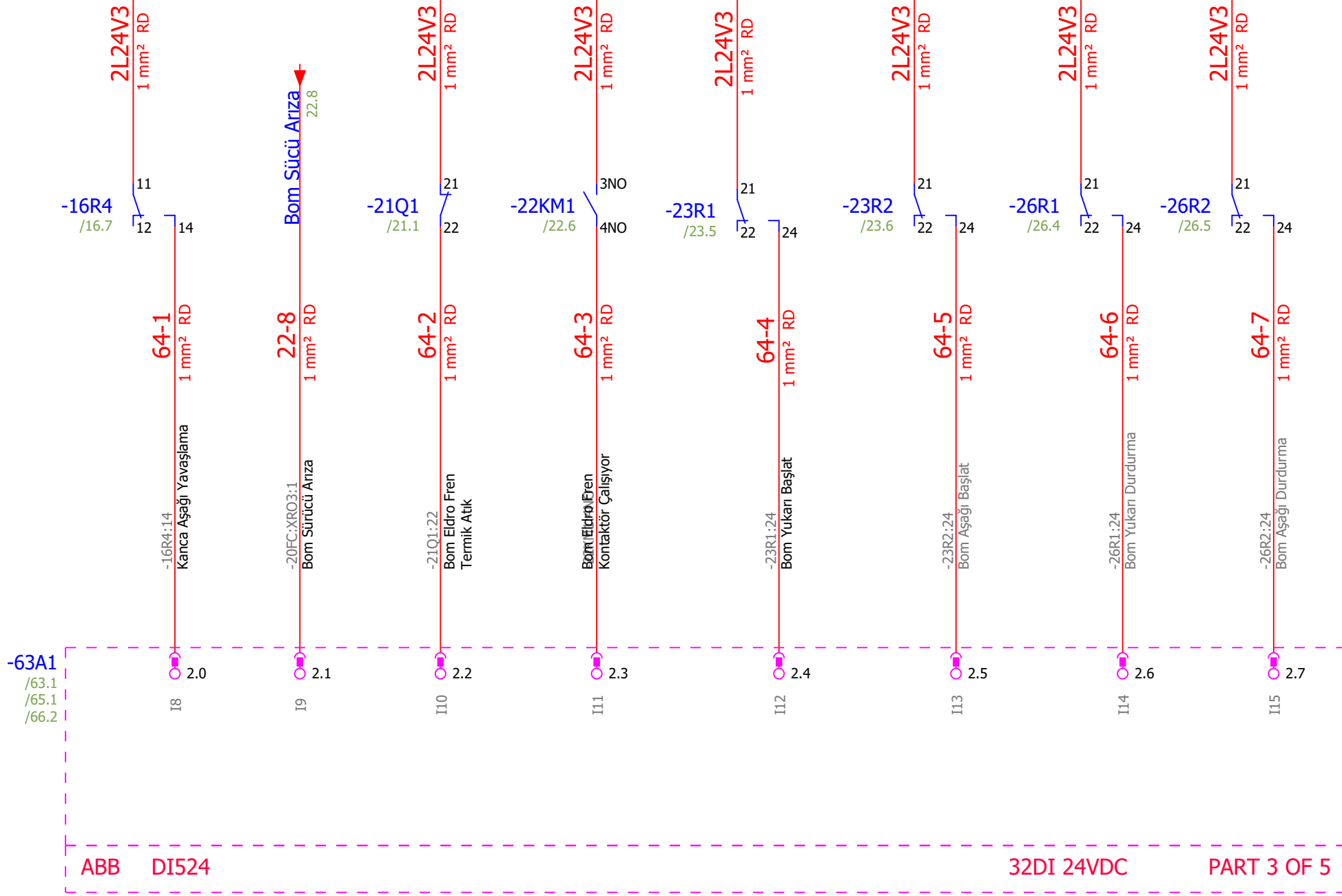


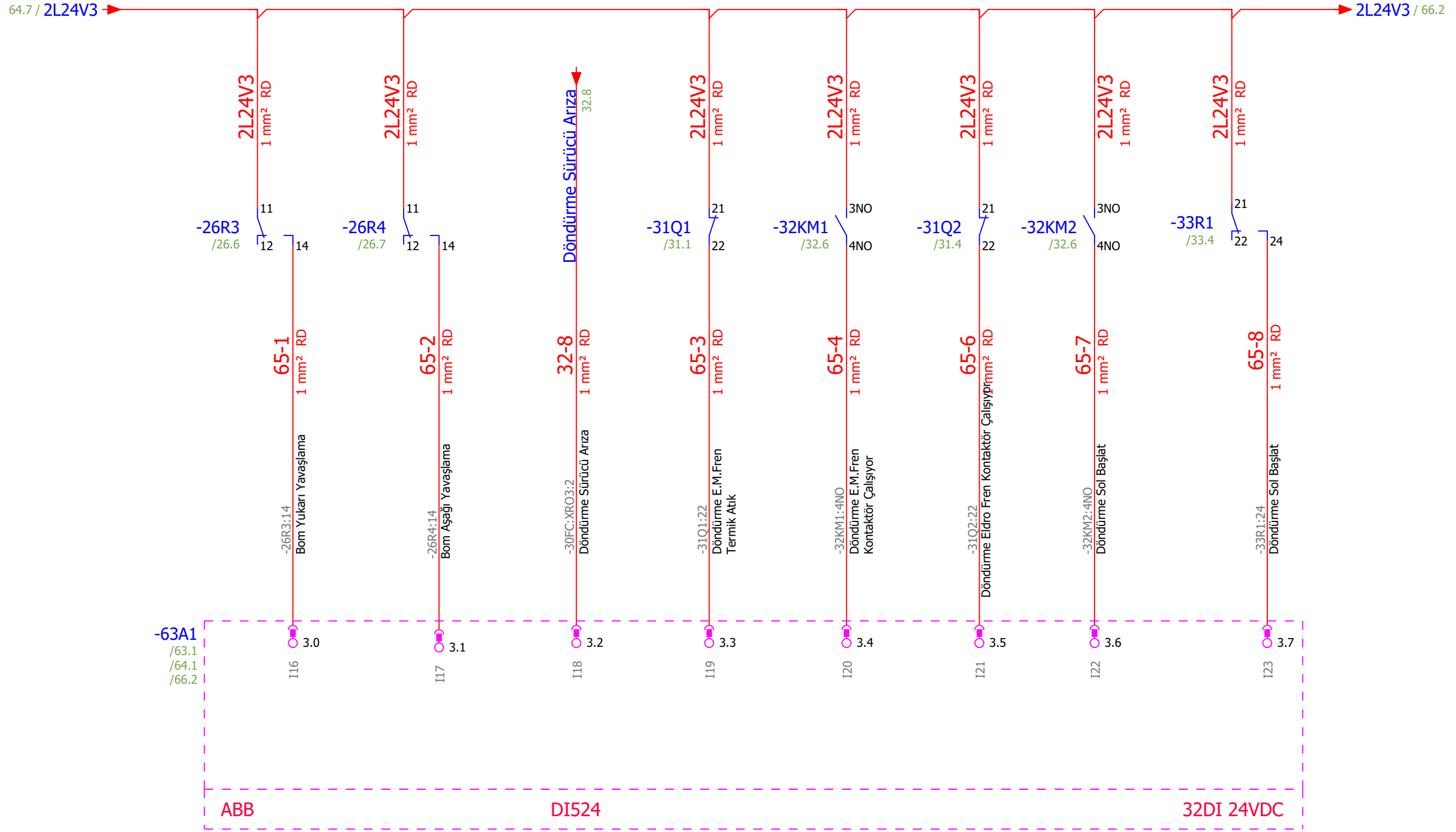


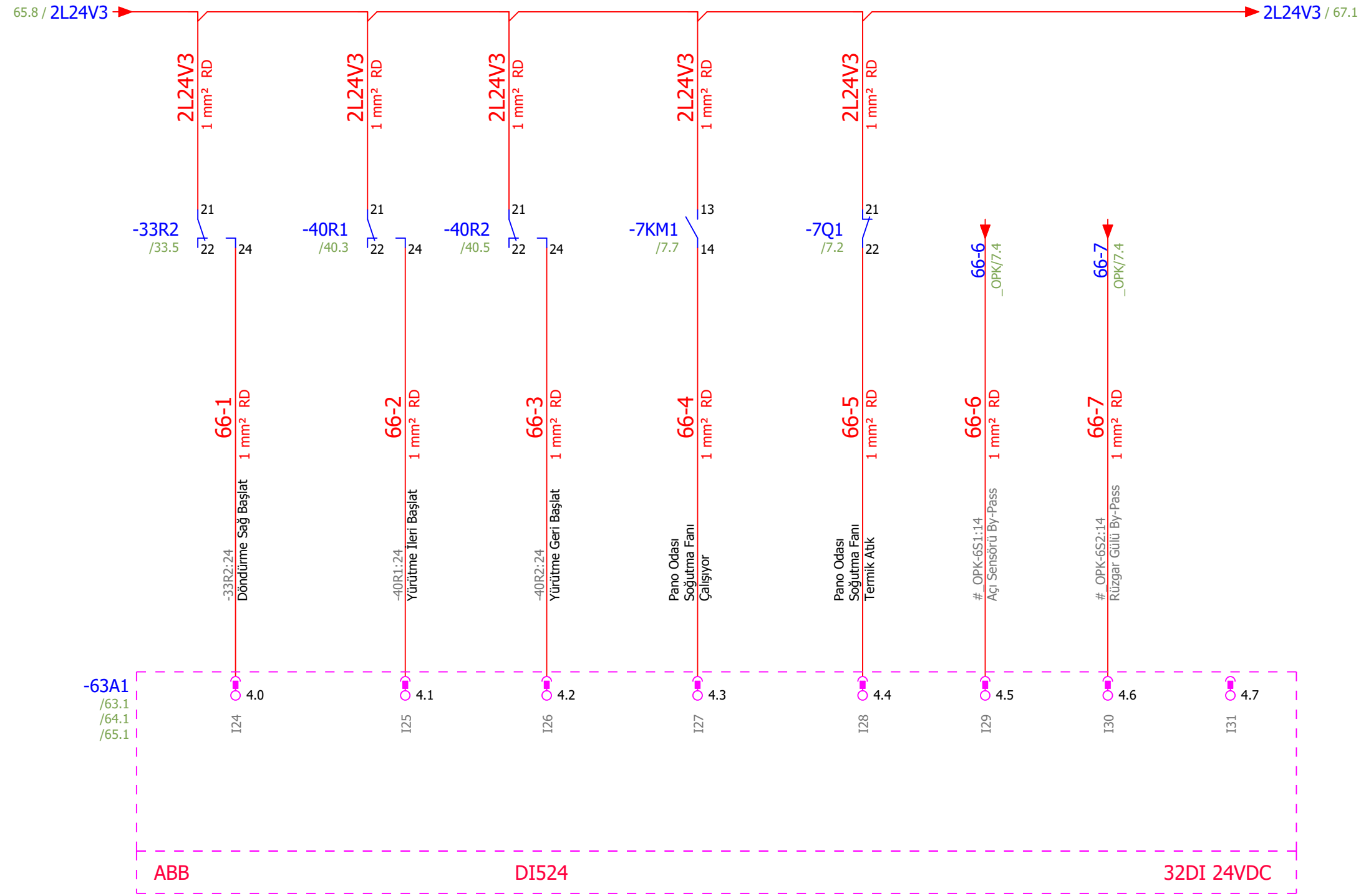




63.9 / 2L24V3 → 2L24V3 / 65.1





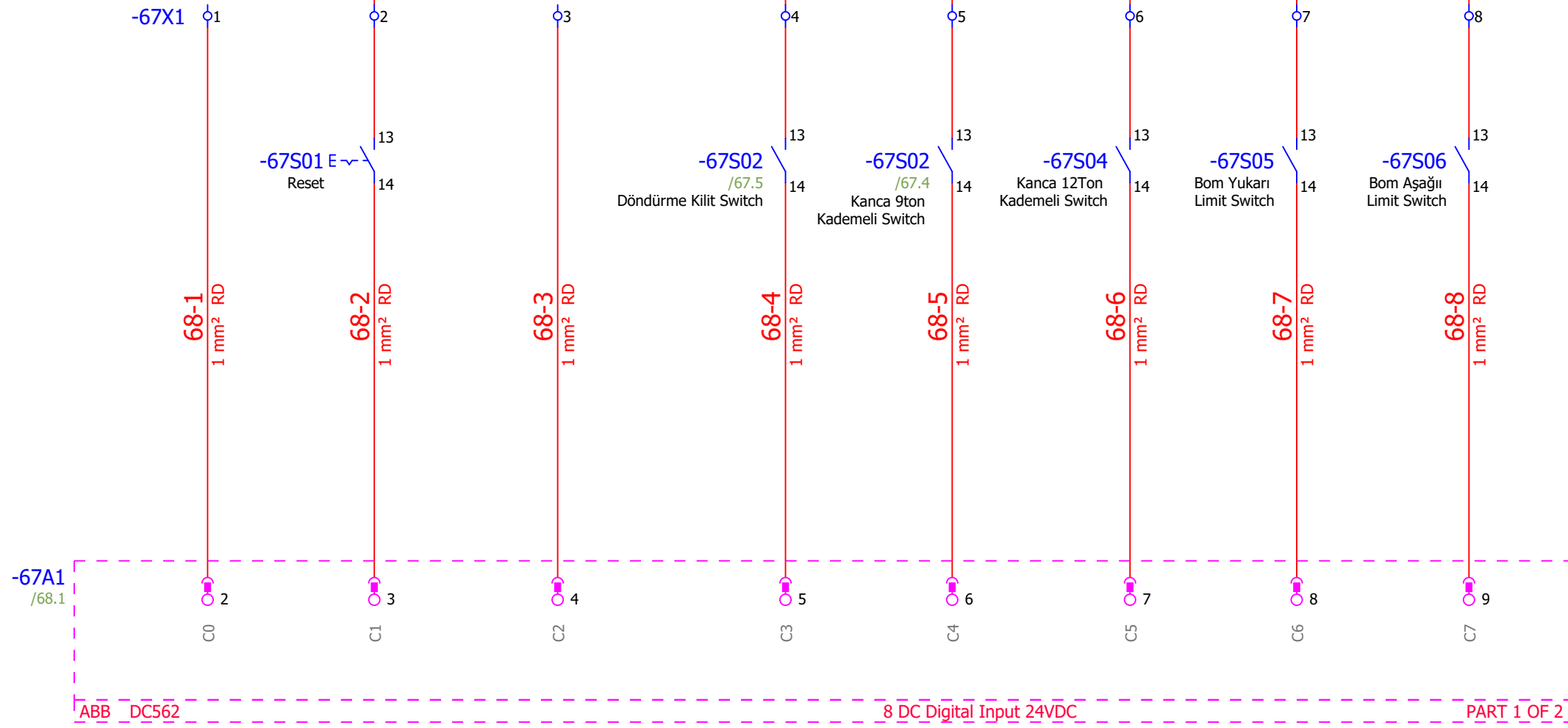


EDITOR	Kemal Olgun
DATE	27.012022
CONTROLLER	Arif Az



= 00SMC00GH00x
+ SMC00
Page /66
64

66.7 / 2L24V3 → 2L24V3 / 68.1



EDITOR	Kemal Olgun
DATE	27.012022
CONTROLLER	Arif Az

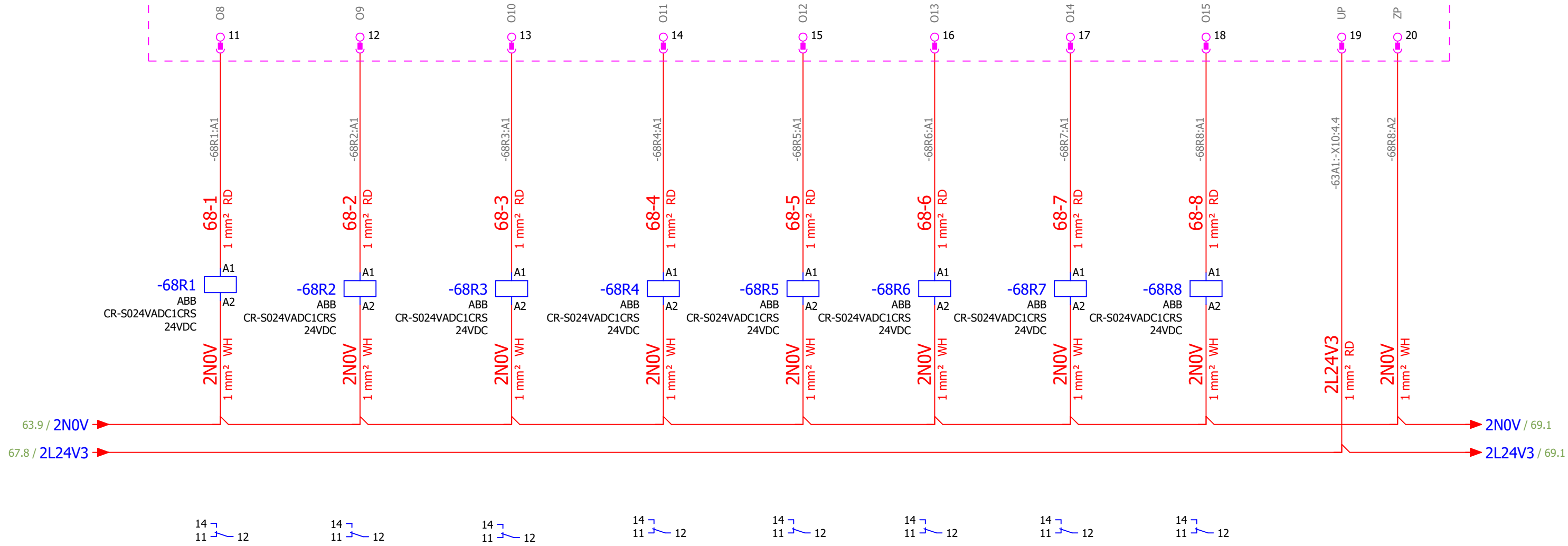
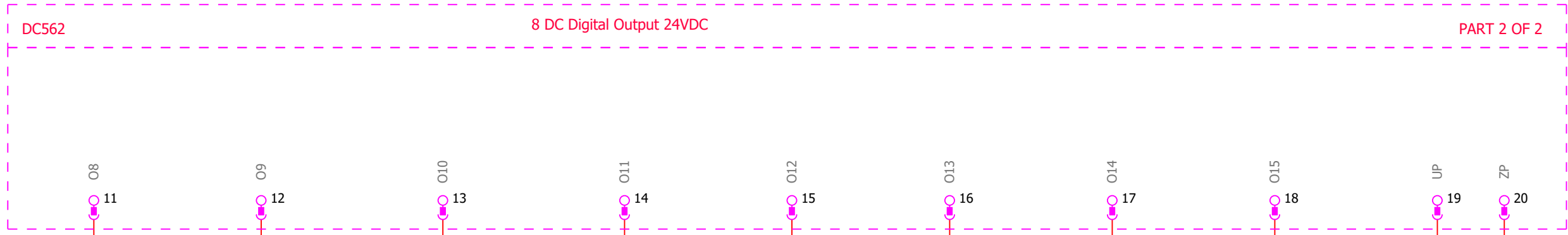


Beşiktaş Yüzer Havuz

KART2/DC562/DI8

Ana Pano

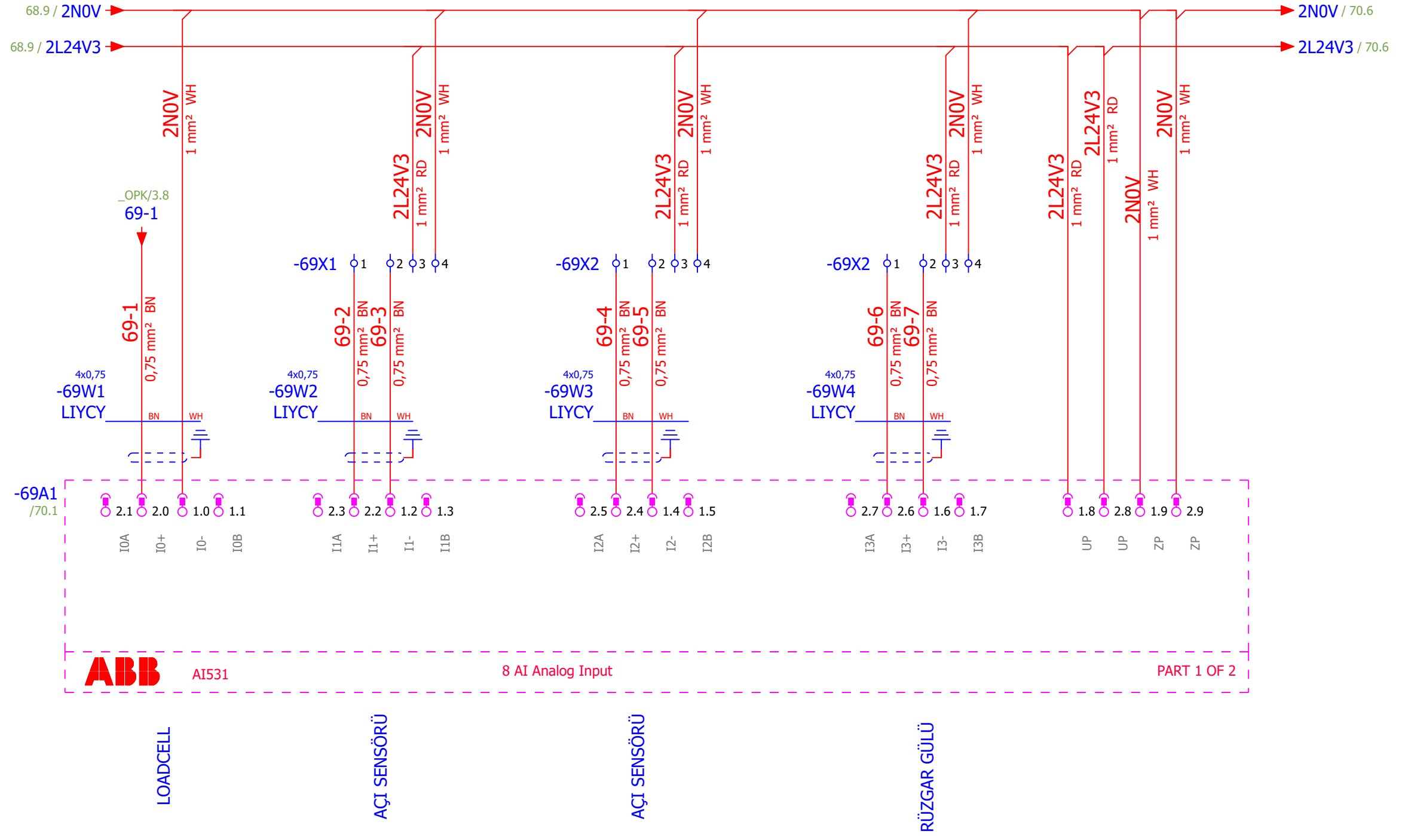
= 00SMC00GH00x
+ SMC00
Page /67
65

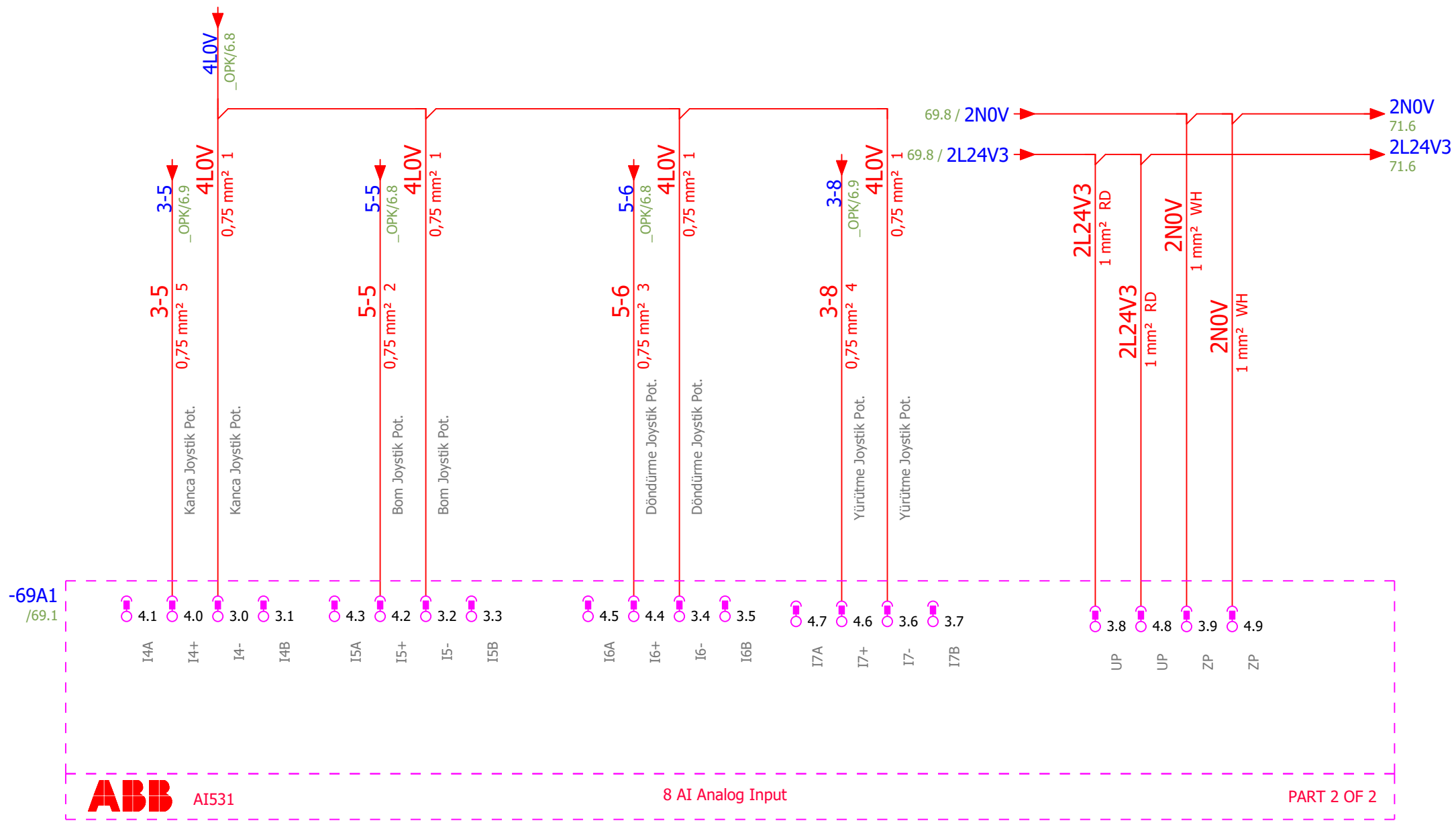


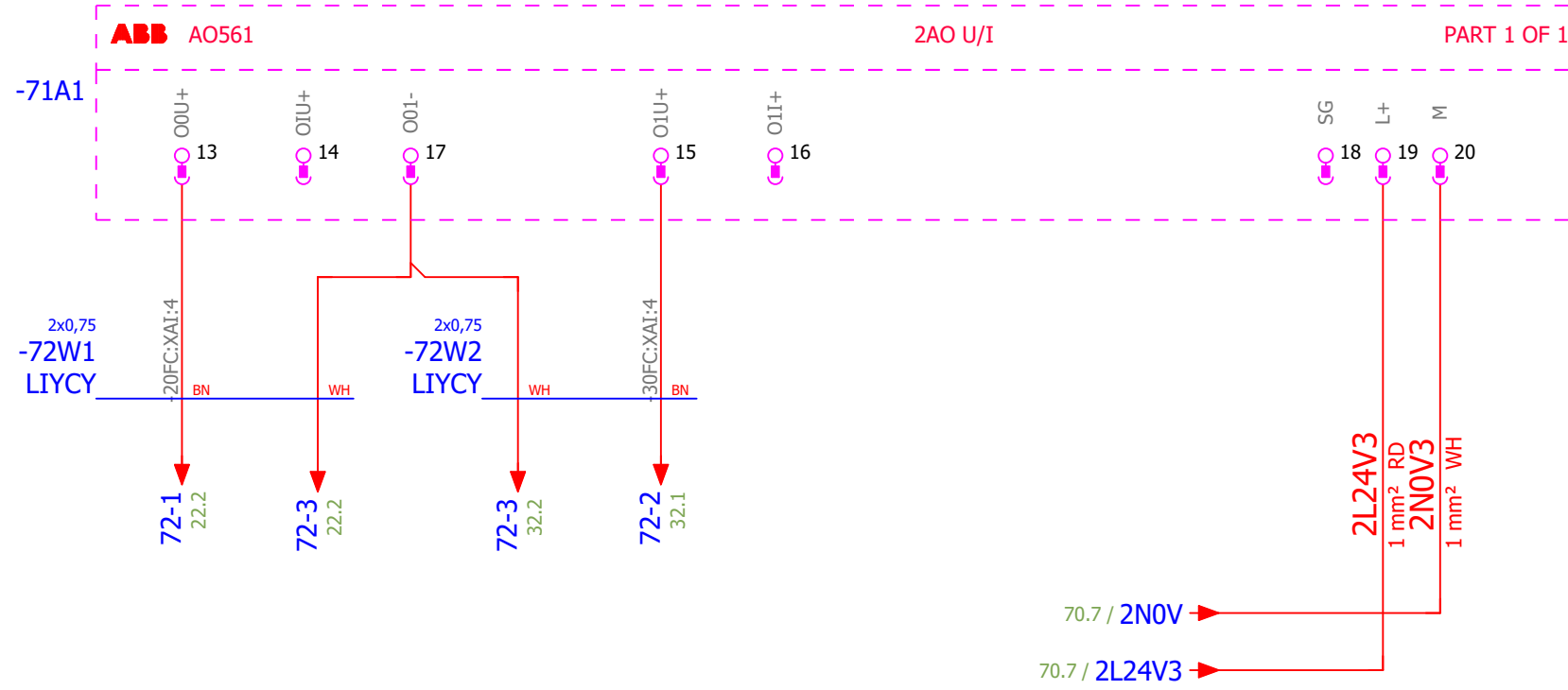
EDITOR	Kemal Olgun
DATE	27.012022
CONTROLLER	Arif Az



= 00SMC00GH00x
+ SMC00
Page /68
66



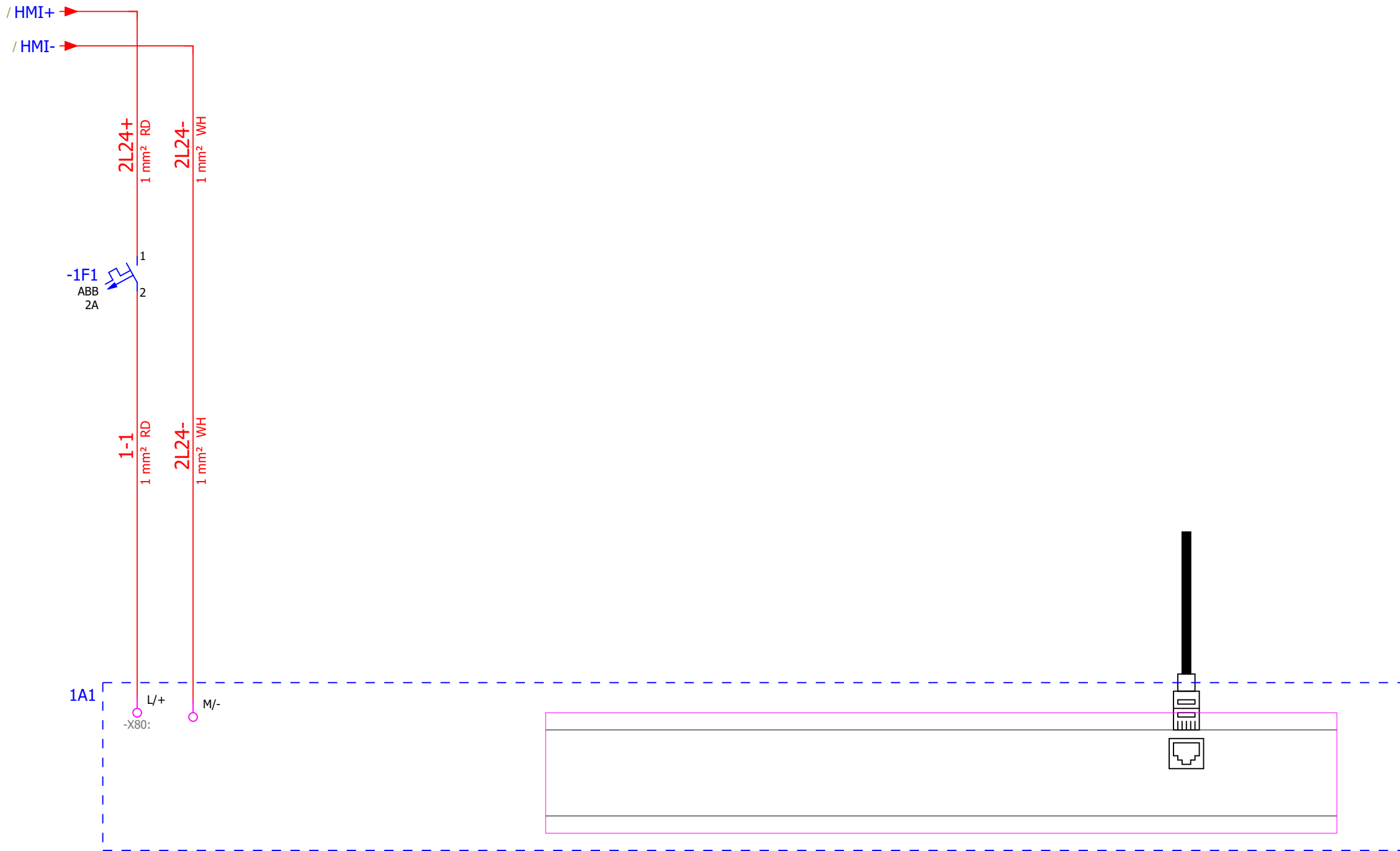


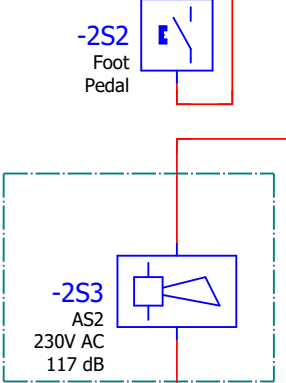
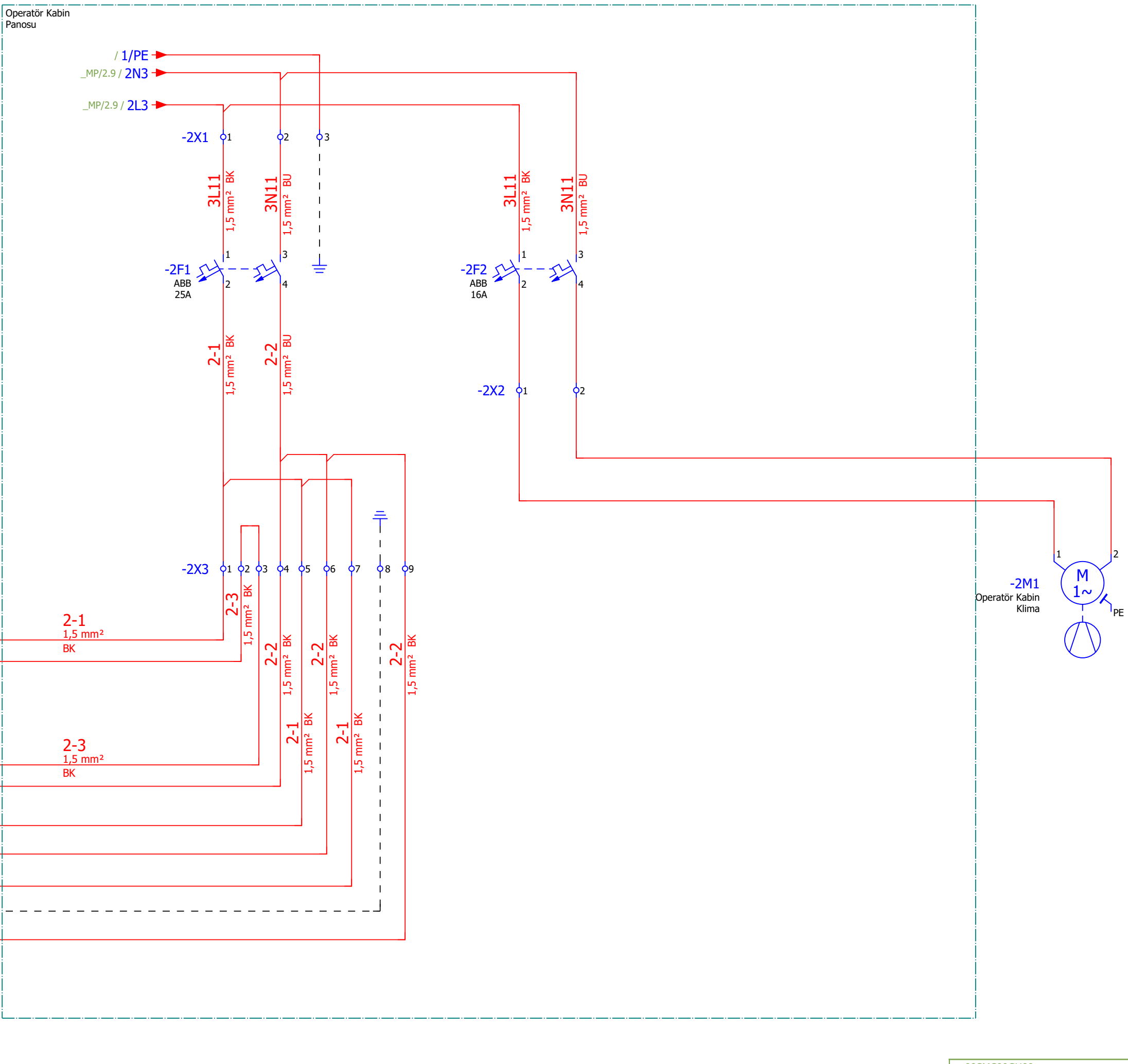


EDITOR	Kemal Olgun
DATE	27.012022
CONTROLLER	Arif Az



= 00SMC00GH00x
+ SMC00
Page /71
69

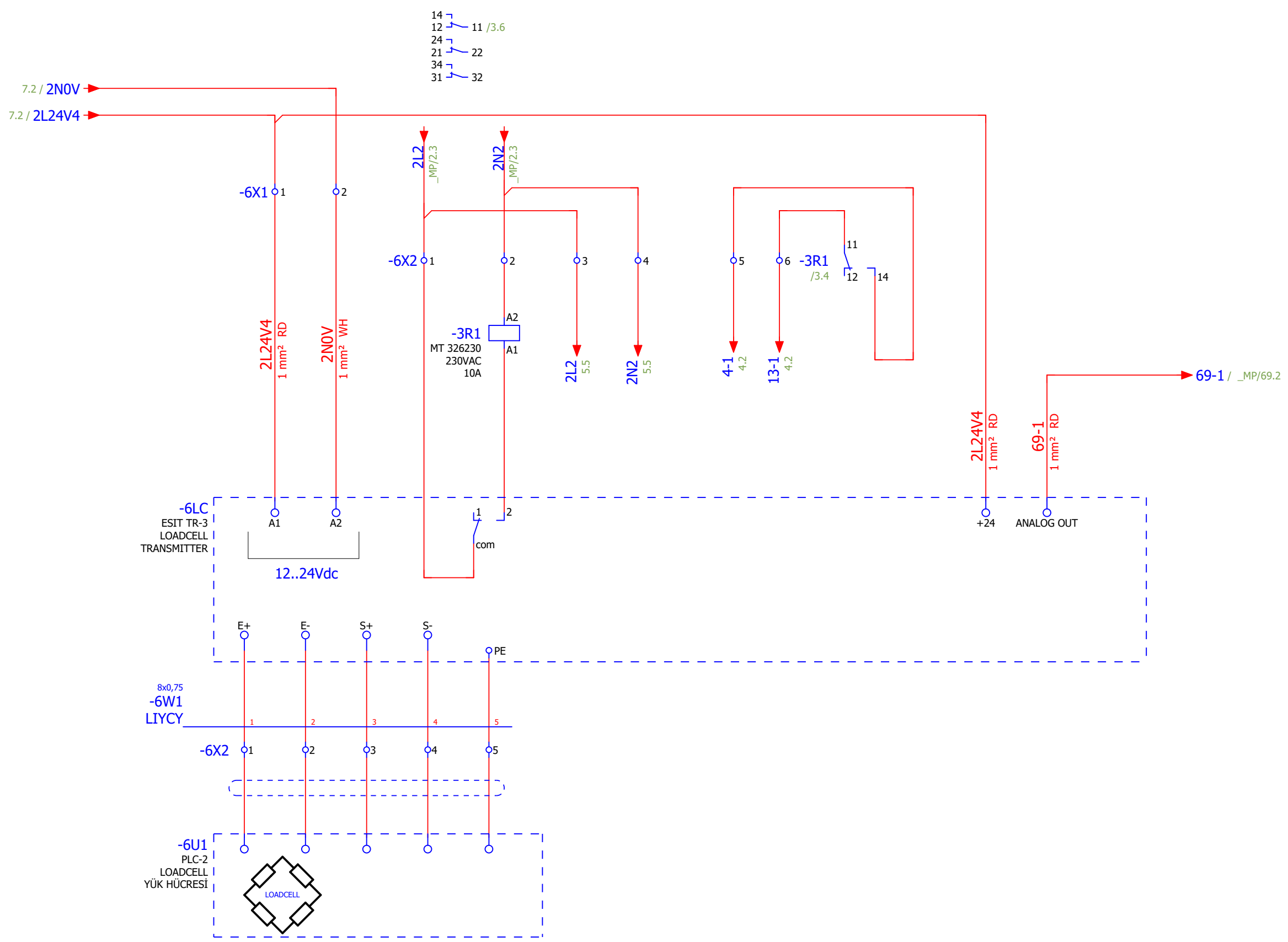




EDITOR	Kemal Olgun
DATE	27.01.2022
CONTROLLER	Arif Az



= 00SMC00GH00x
+ SMC00
Page /2
71

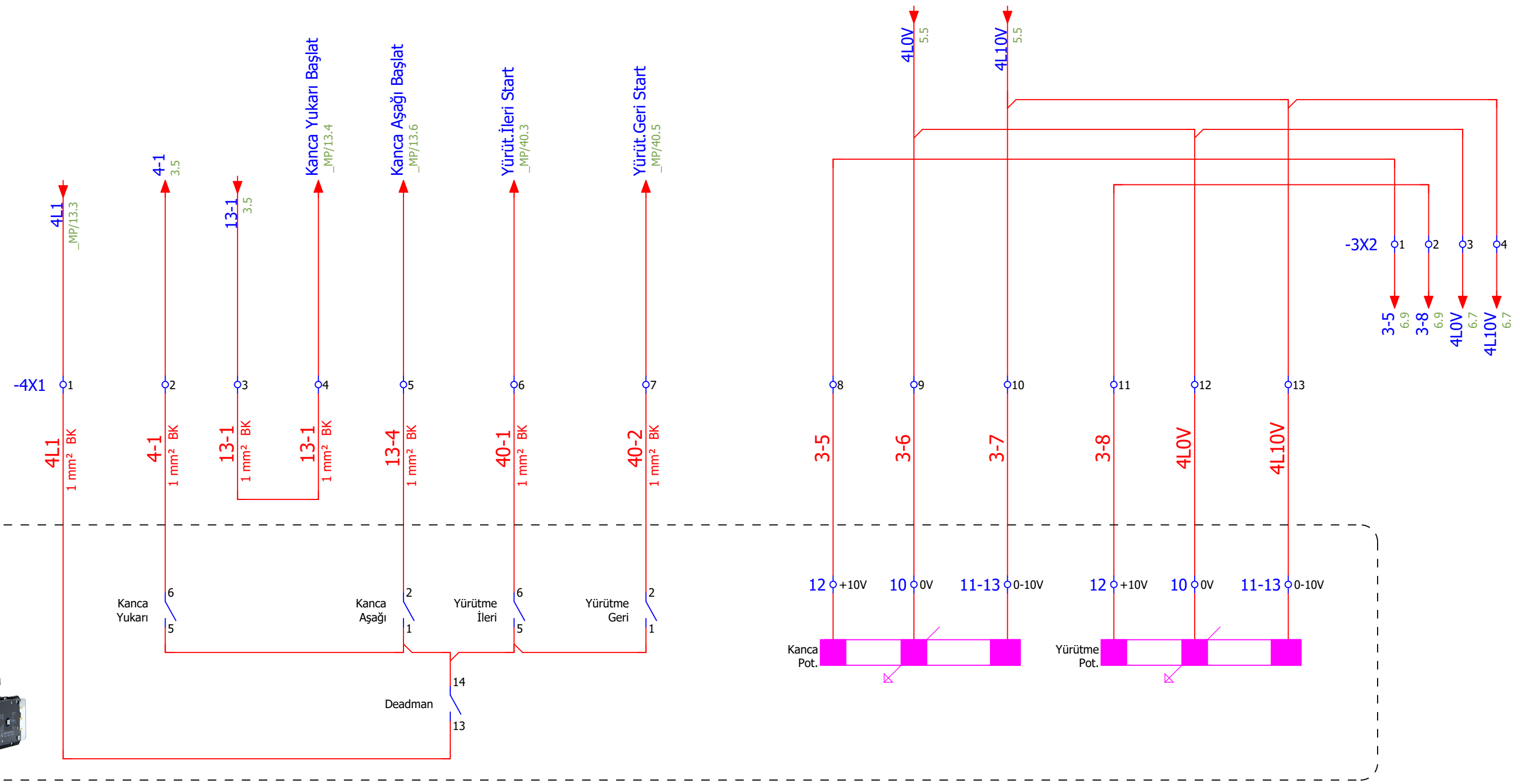


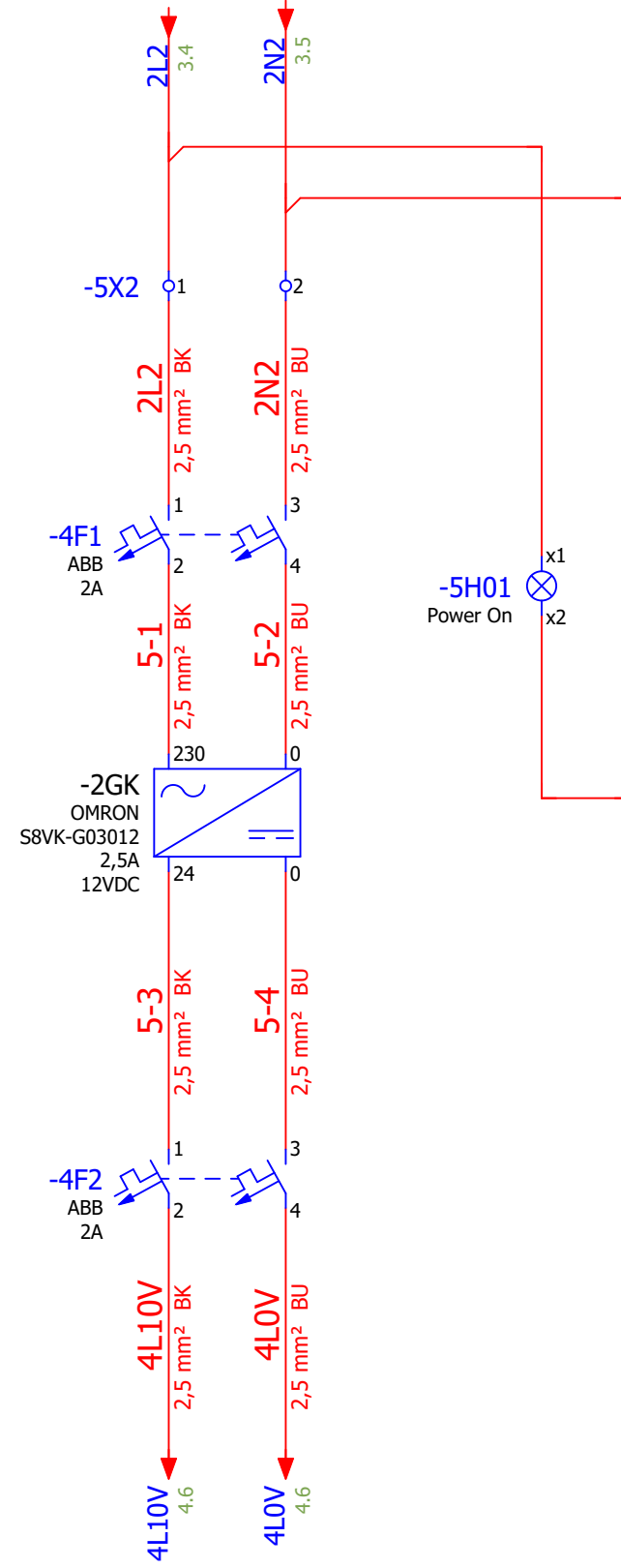
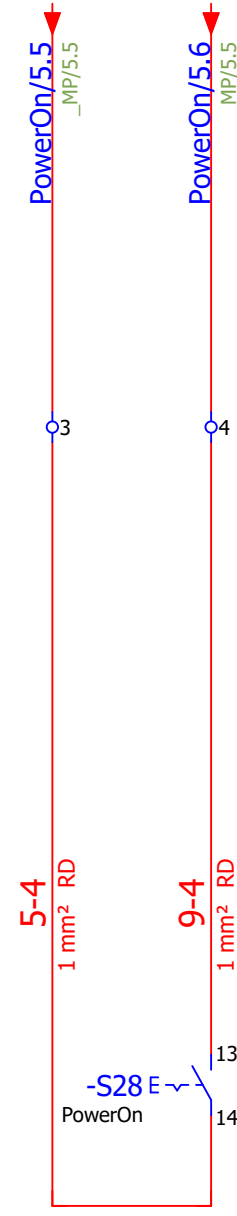
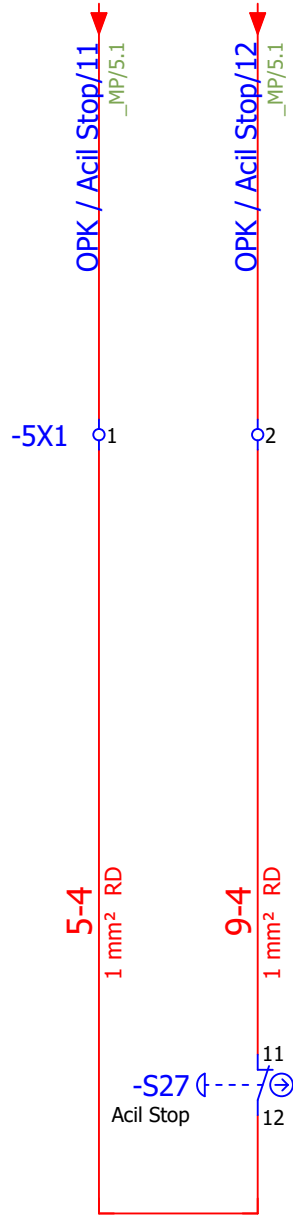
EDITOR	Kemal Olgun
DATE	27.01.2022
CONTROLLER	Arif Az



= 00SMC00GH00x
+ SMC00
Page /3
72

Joystick Right

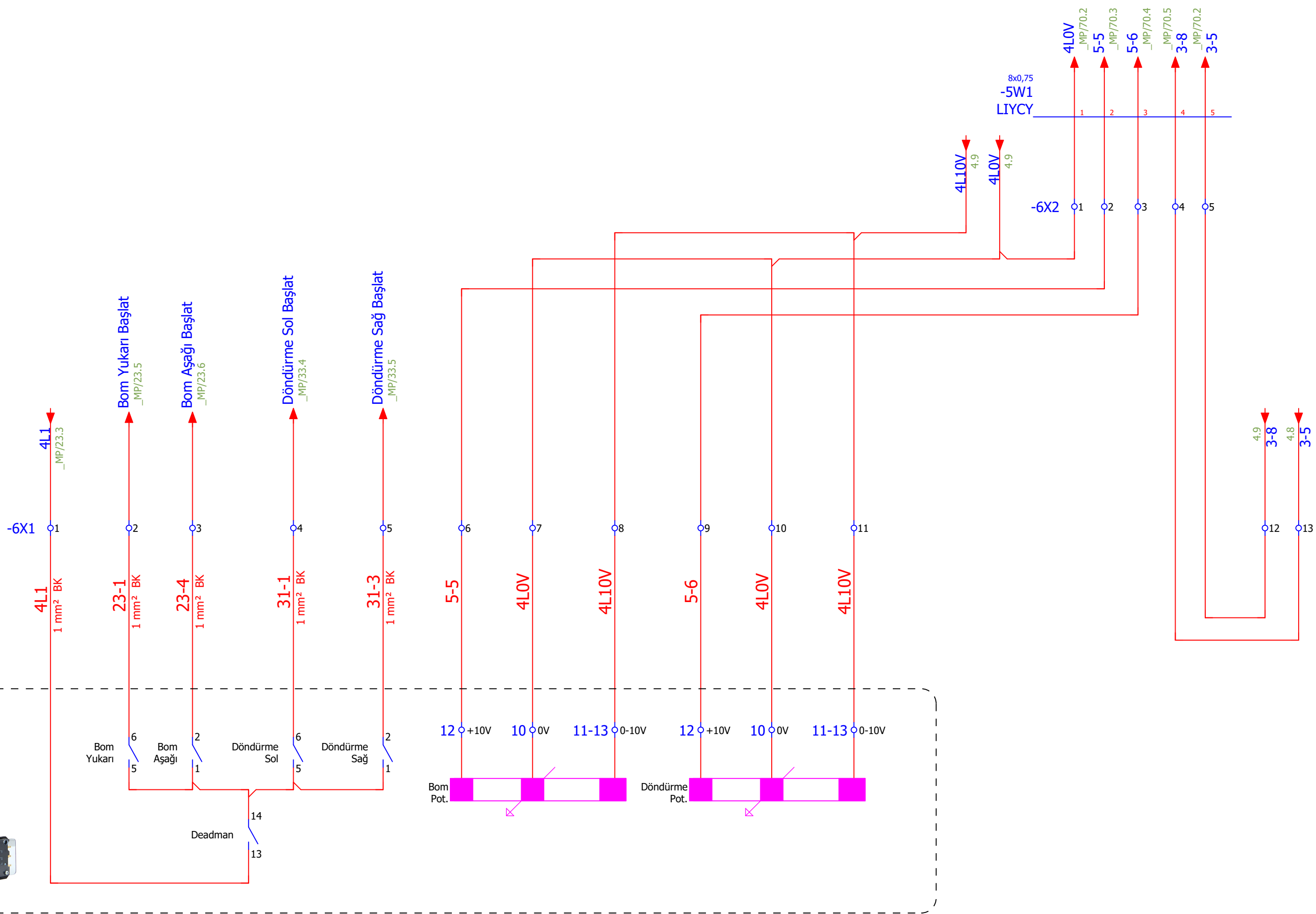


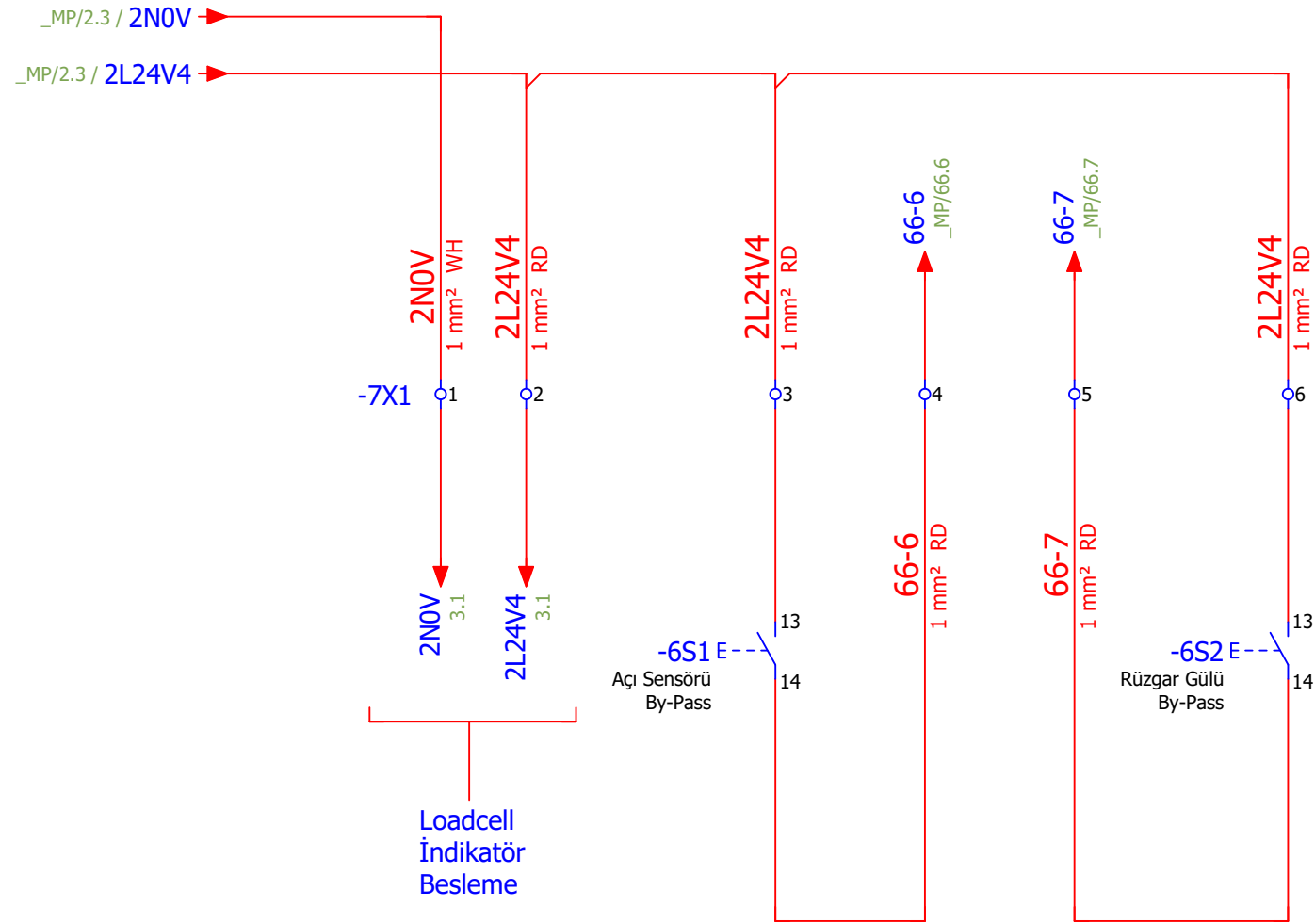


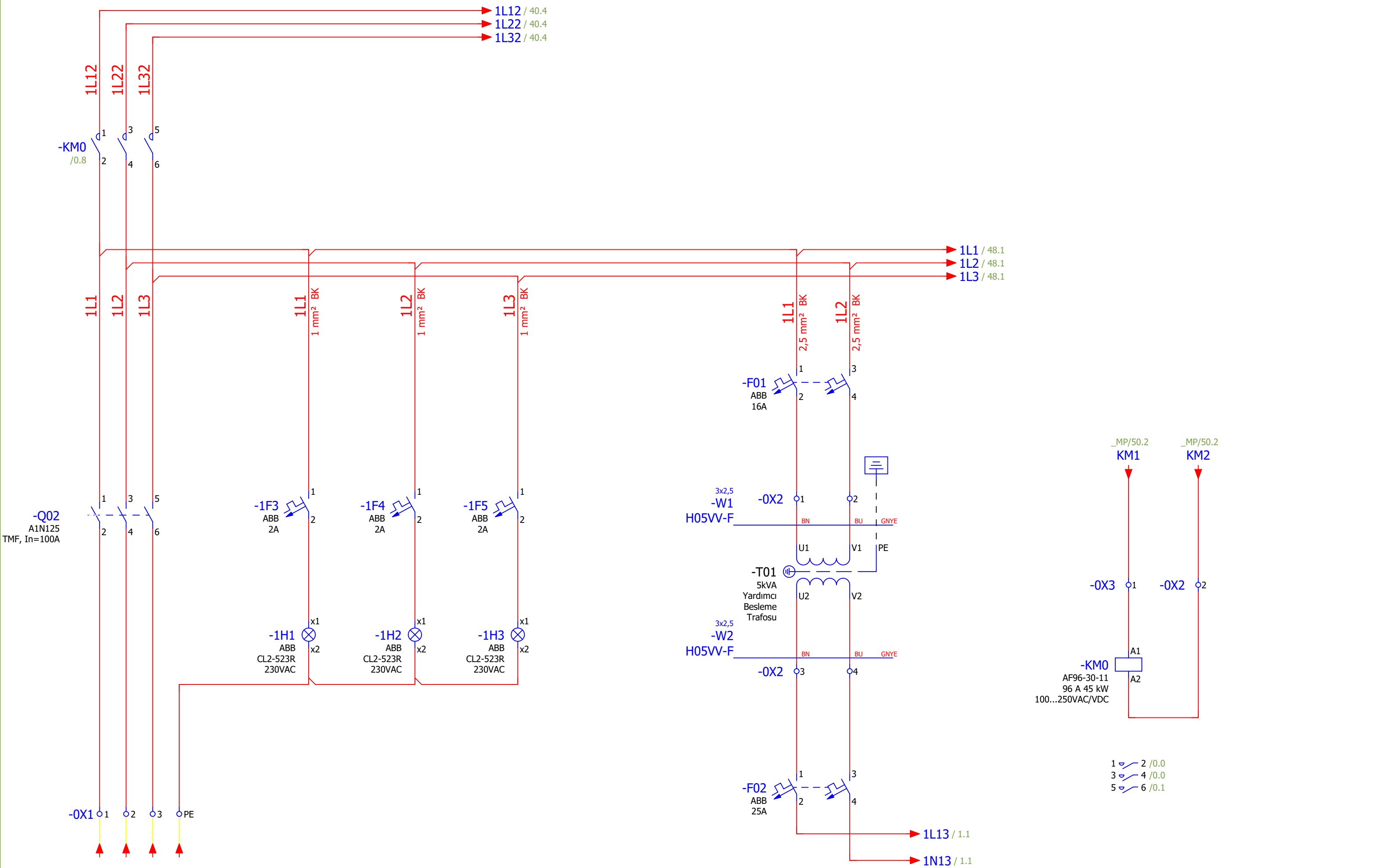
EDITOR	Kemal Olgun
DATE	27.01.2022
CONTROLLER	Arif Az



Joystick Left



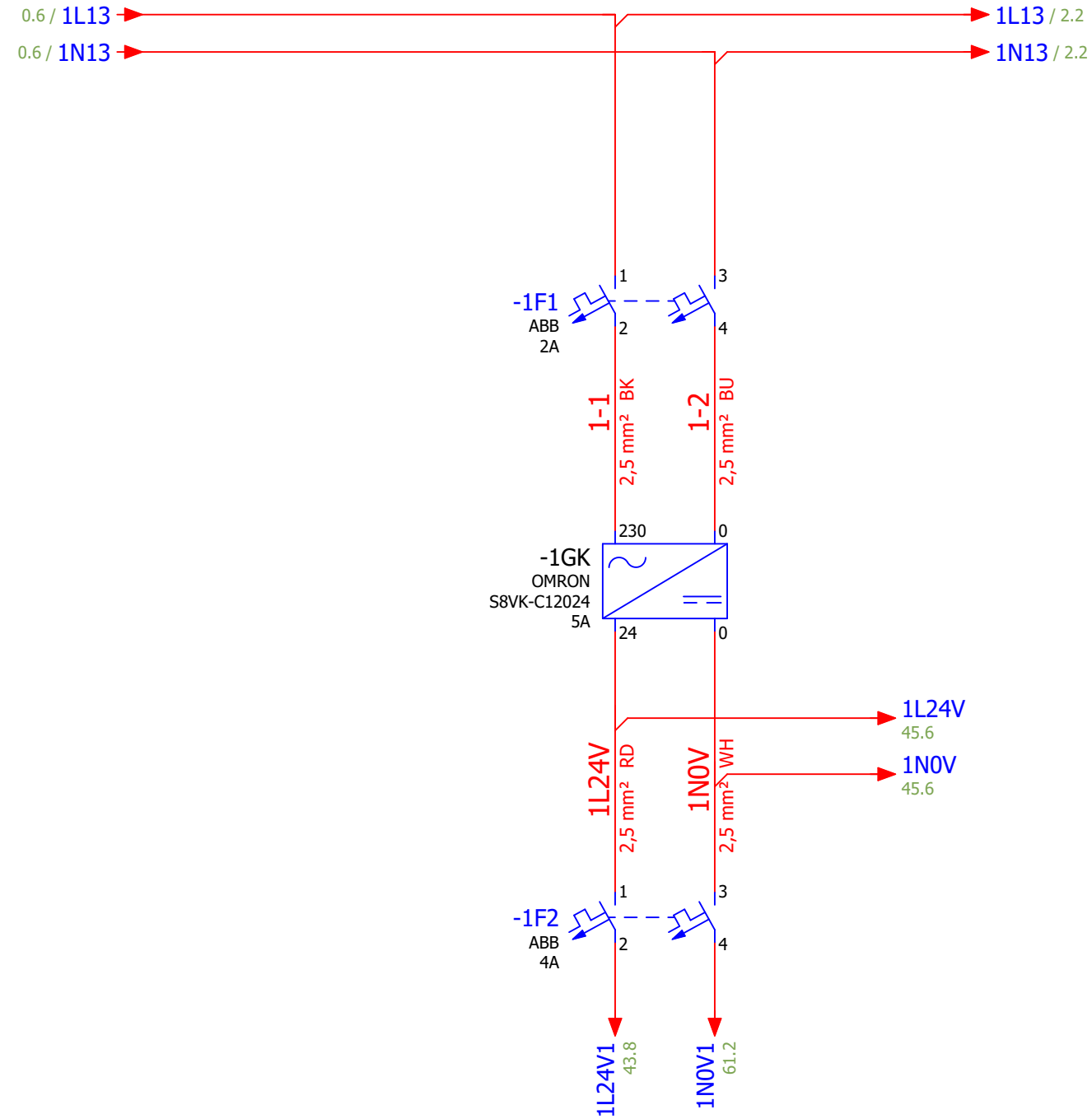


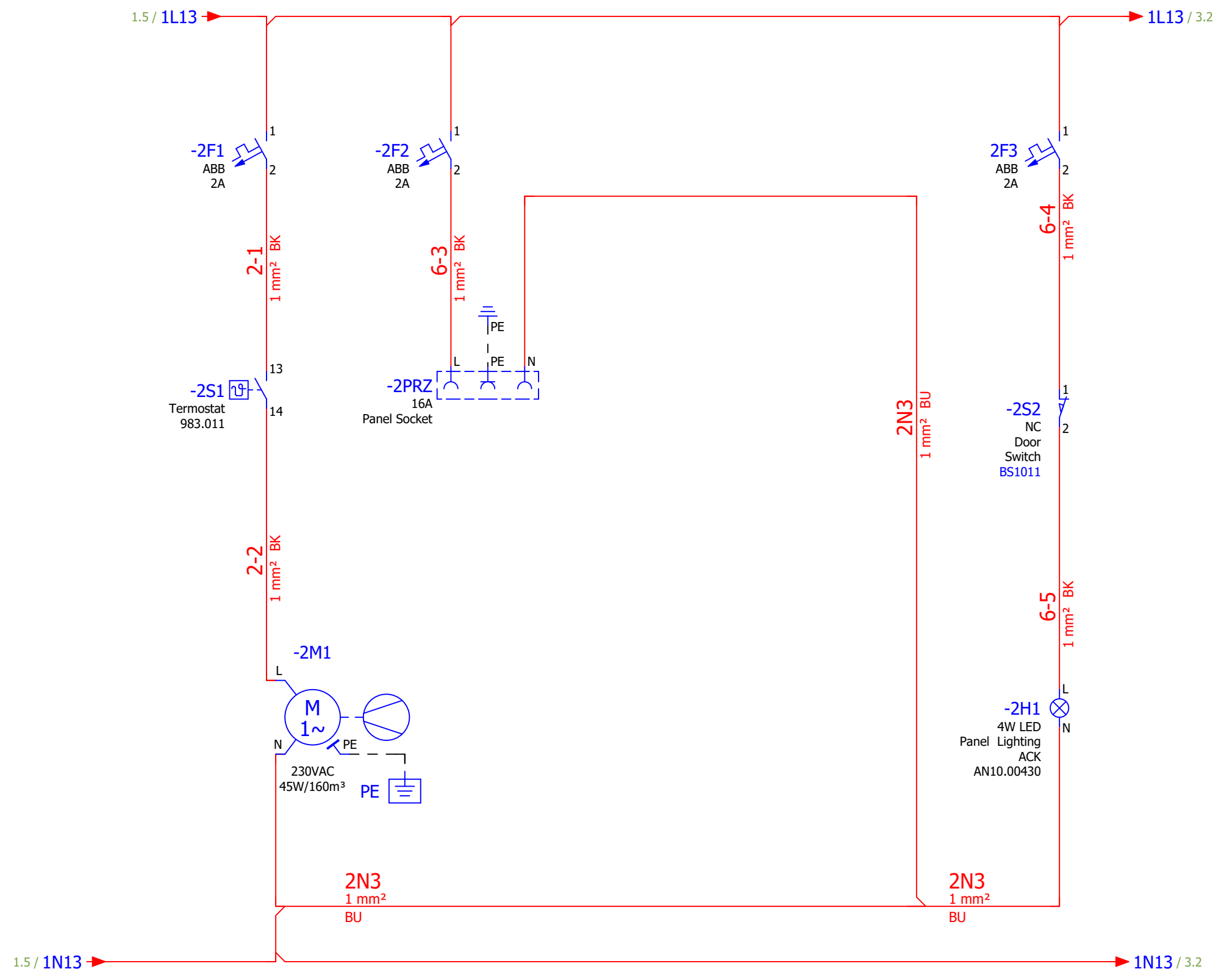


EDITOR	Kemal Olgun
DATE	27.01.2022
CONTROLLER	Arif Az



= 00SMC00GH00x
+ SMC00
Page /0
77





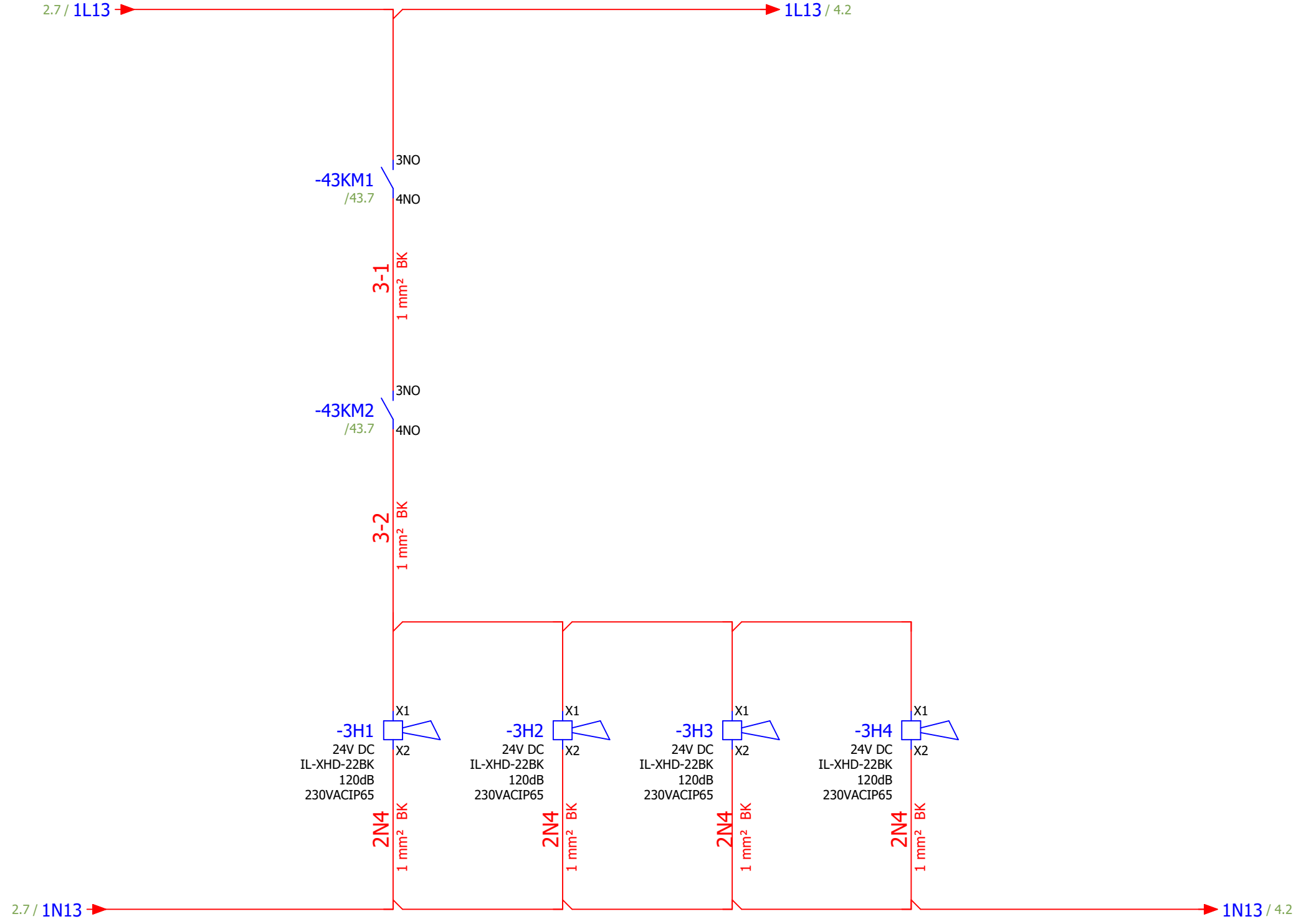
EDITOR	Kemal Olgun
DATE	27.01.2022
CONTROLLER	Arif Az



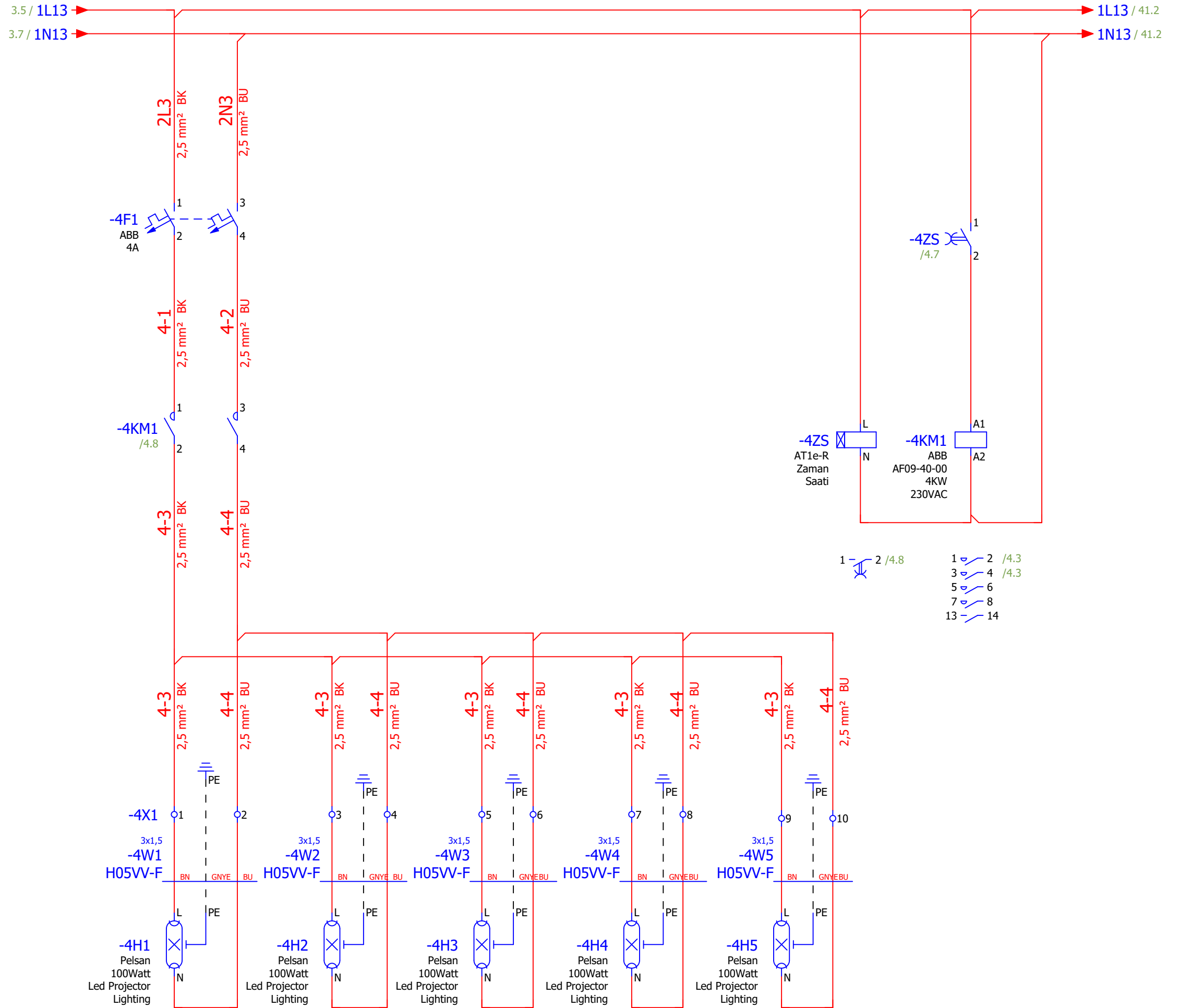
Beşiktaş Yüzer Havuz

Yürütme Pano Aydınlatma Devresi Yürütme Panosu

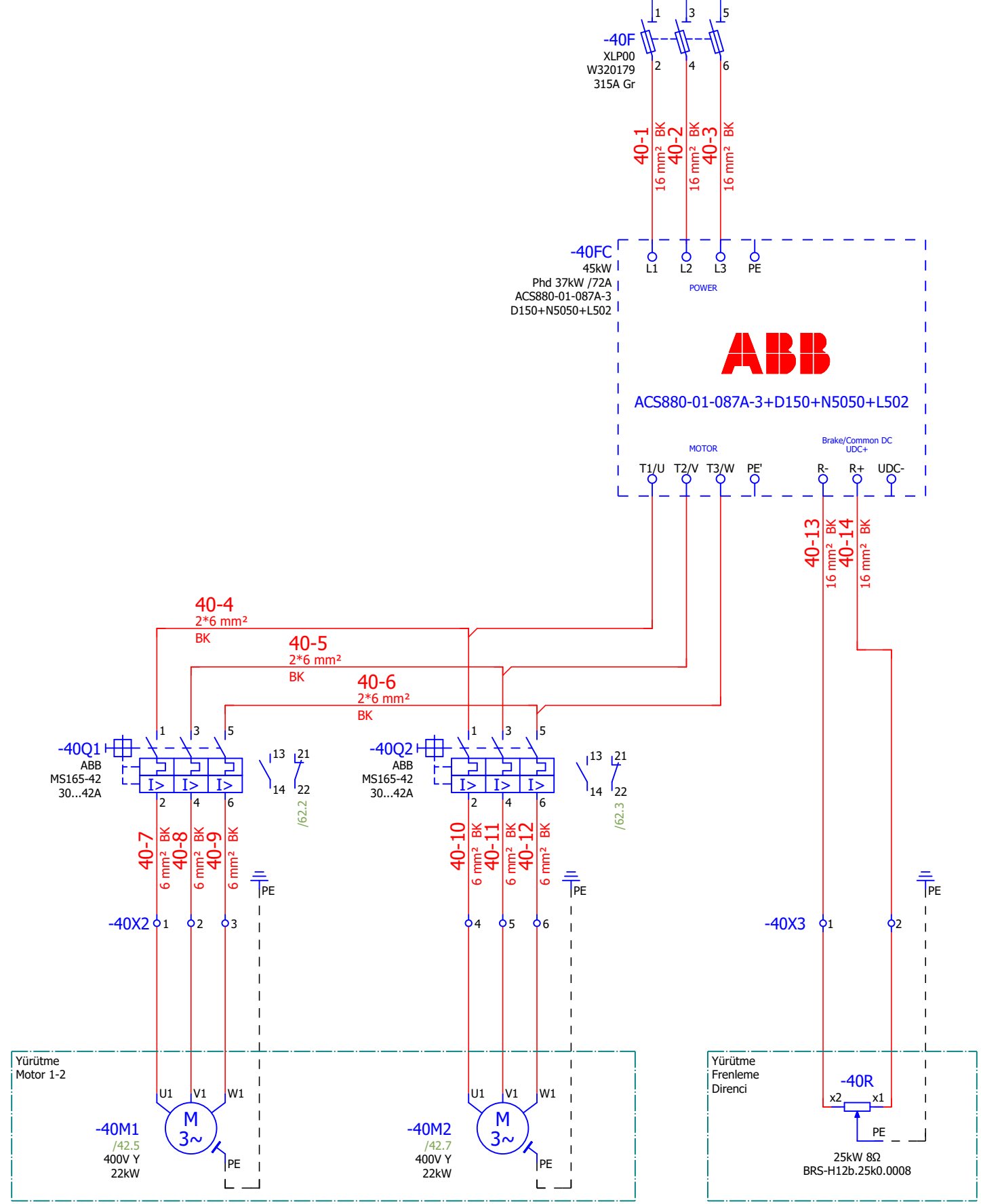
= 00SMC00GH00x
+ SMC00
Page /2
79



EDITOR	Kemal Olgun		Beşiktaş Yüzer Havuz	Yürütme İkaz Devresi	Yürütme Panosu	= 00SMC00GH00x	
DATE	27.01.2022						+ SMC00
CONTROLLER	Arif Az						Page /β
						80	



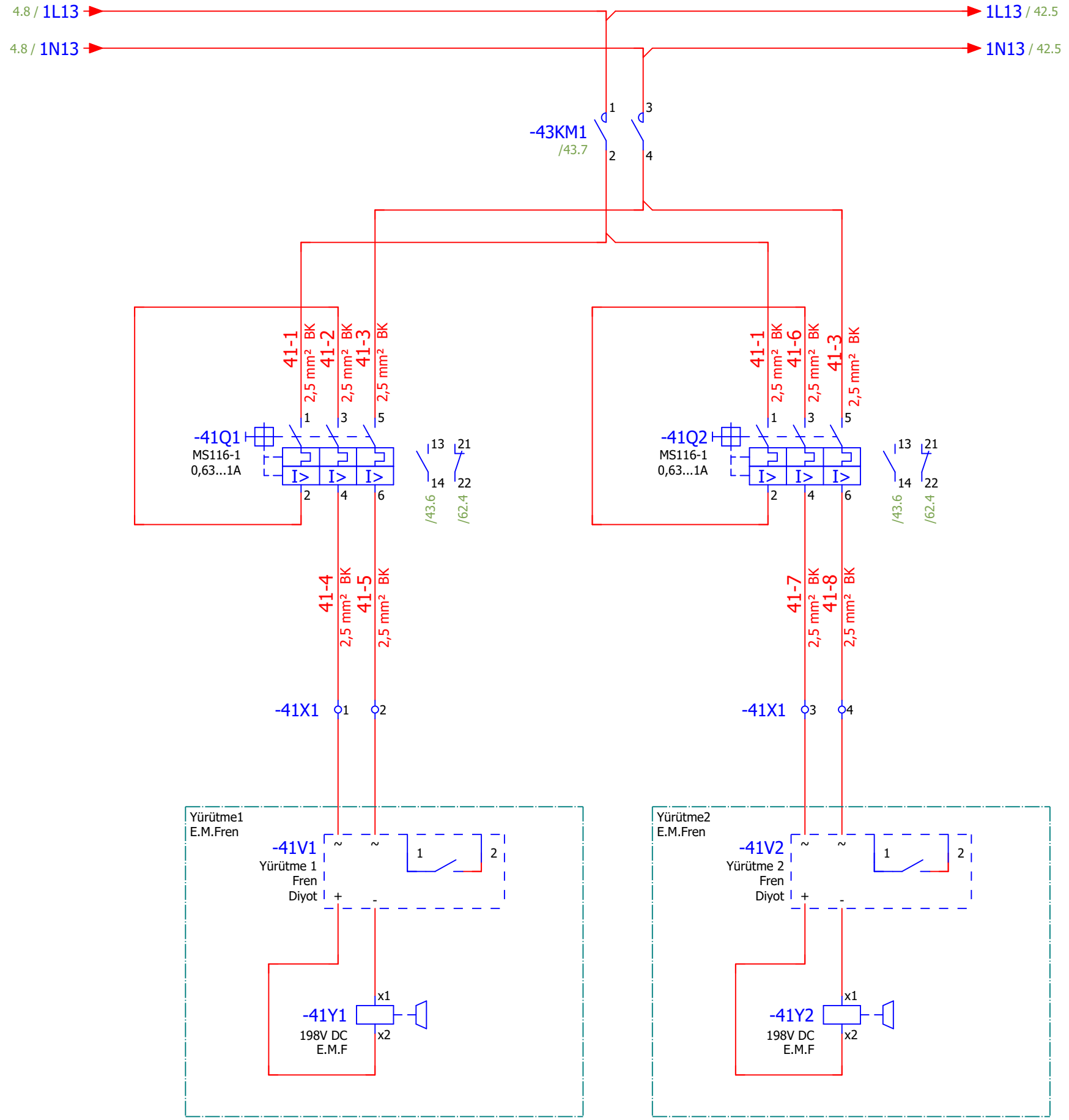
0.3 / 1L12 → 1L12 / 42.0  
0.3 / 1L22 → 1L22 / 42.0  
0.3 / 1L32 → 1L32 / 42.0



EDITOR	Kemal Olgun
DATE	27.01.2022
CONTROLLER	Arif Az



= 00SMC00GH00x
+ SMC00
Page /40
82



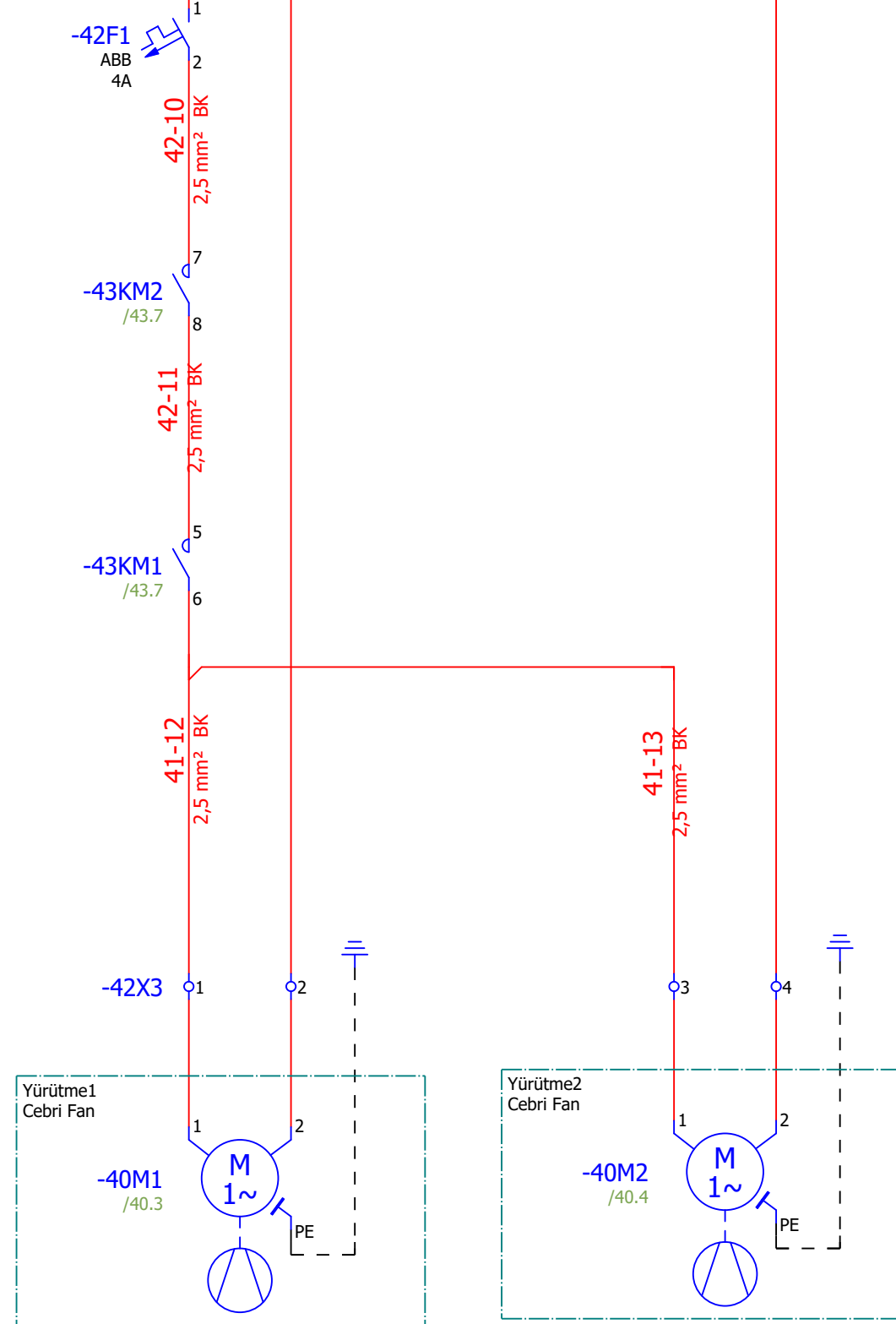
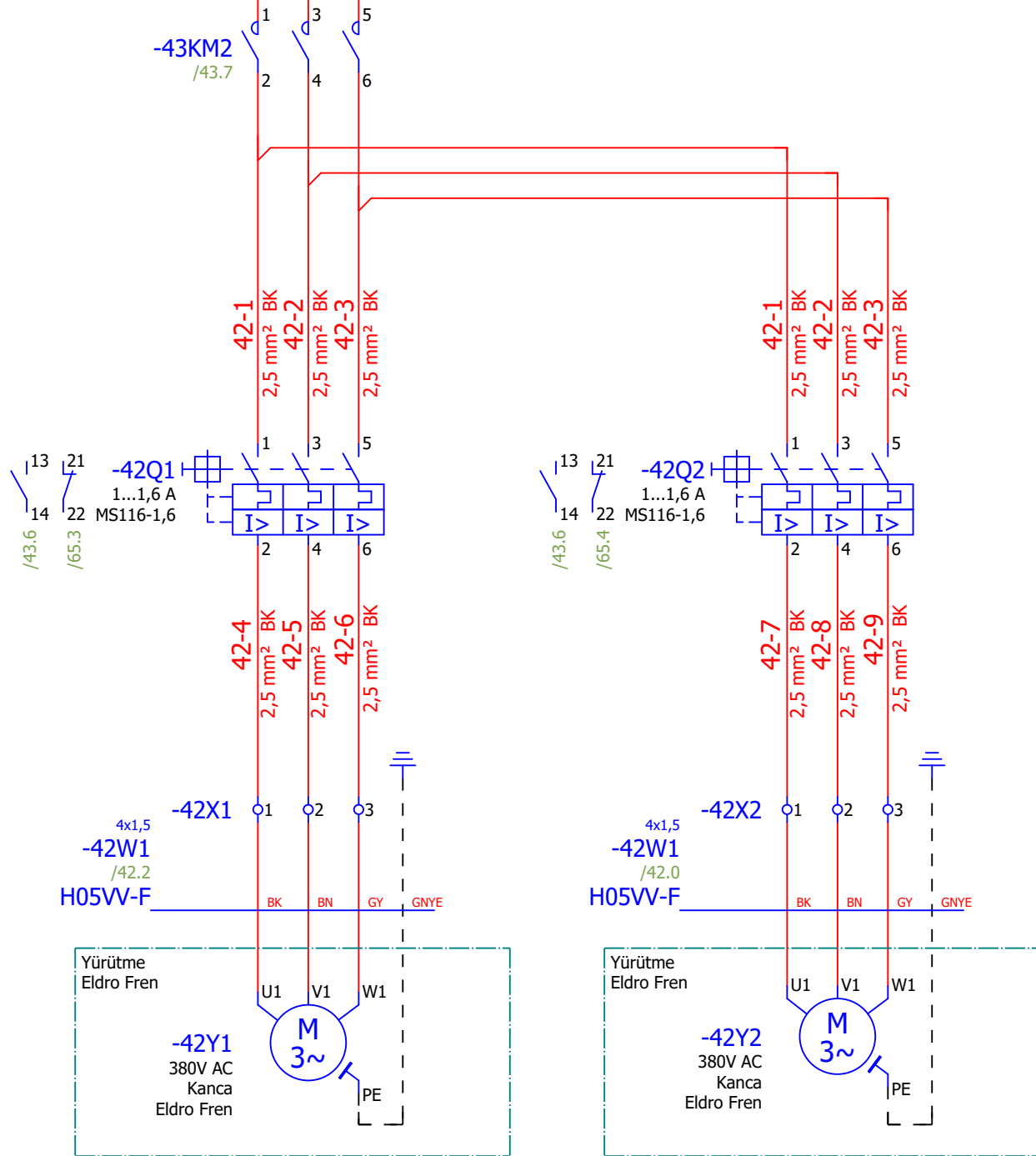
EDITOR	Kemal Olgun
DATE	27.01.2022
CONTROLLER	Arif Az



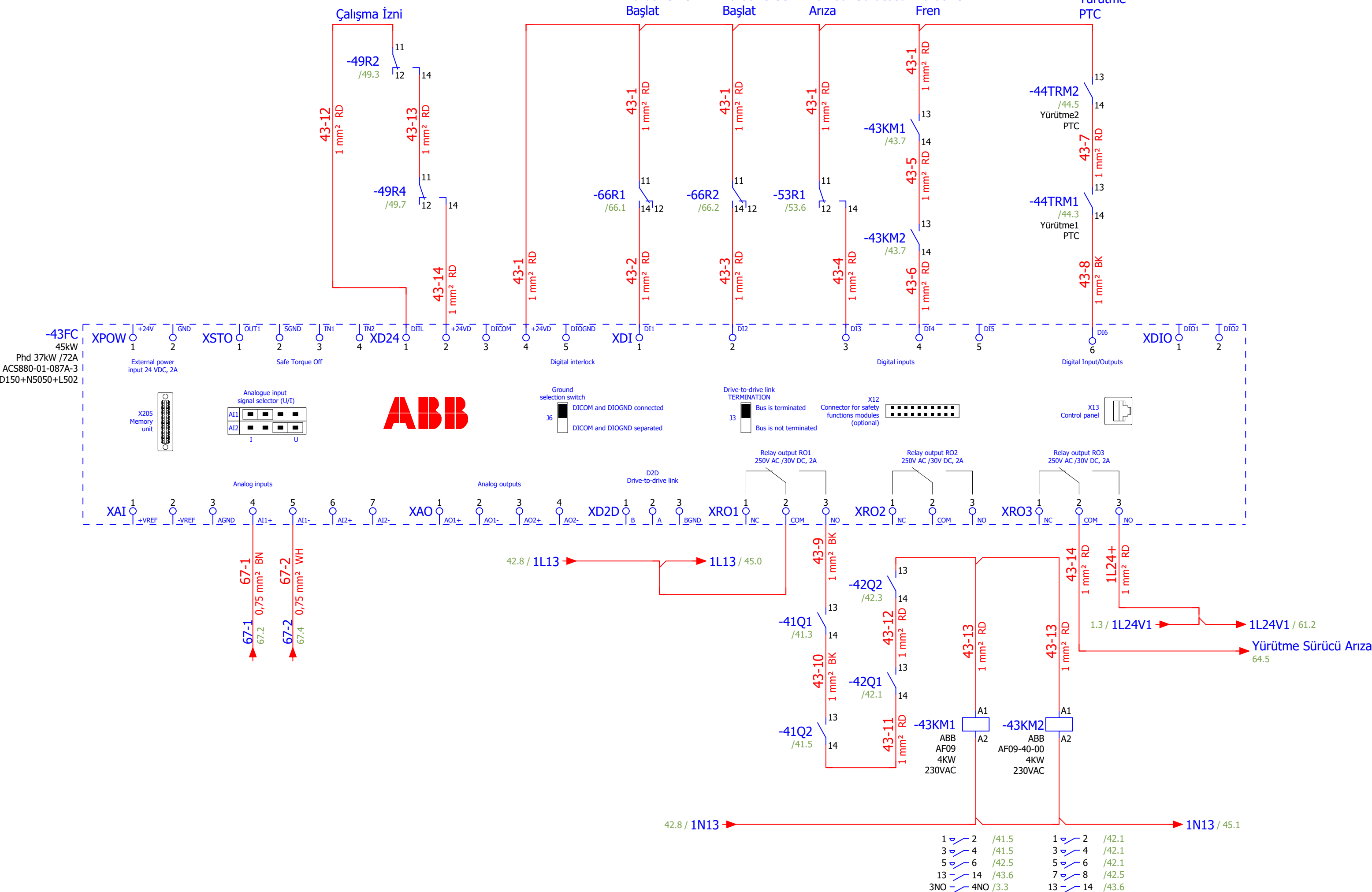
= 00SMC00GH00x
+ SMC00
Page /1
83

40.7 / 1L12 → 1L12 / 51.3  
40.7 / 1L22 → 1L22 / 51.3  
40.7 / 1L32 → 1L32 / 51.3

41.7 / 1L13 → 1L13 / 43.4  
41.7 / 1N13 → 1N13 / 43.5



Yürütme İleri Başlat Yürütme Geri Başlat Tambur Sürücüsü Yürütme Fren Yürütme PTC



1	2	/41.5	1	2	/42.1
3	4	/41.5	3	4	/42.1
5	6	/42.5	5	6	/42.1
13	14	/43.6	7	8	/42.5
3NO	4NO	/3.3	13	14	/43.6
3NO	4NO	/53.5	3NO	4NO	/3.3
3NO	4NO	/65.5	3NO	4NO	/53.5
			3NO	4NO	/62.5

EDITOR	Kemal Olgun
DATE	27.01.2022
CONTROLLER	Arif Az

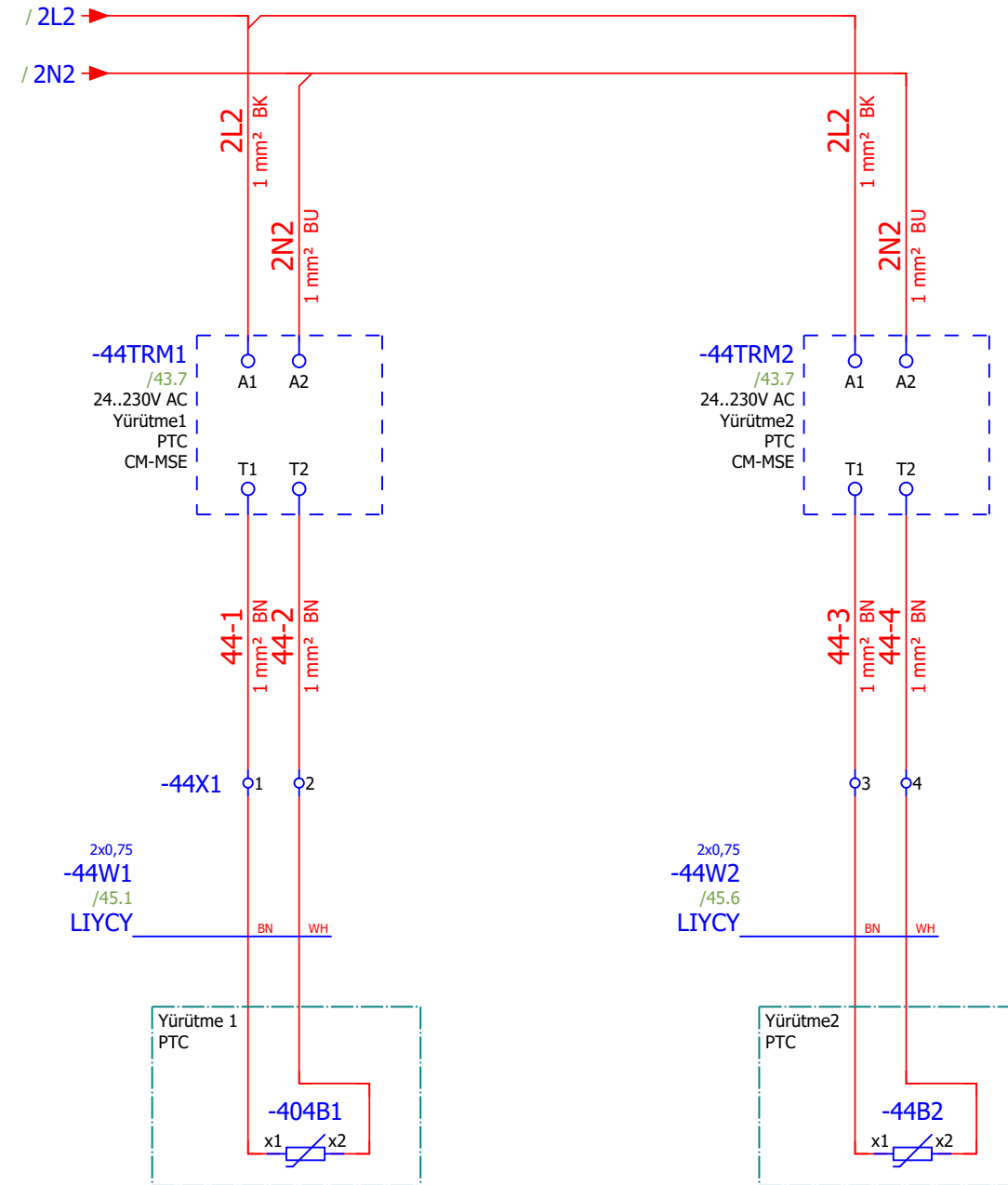


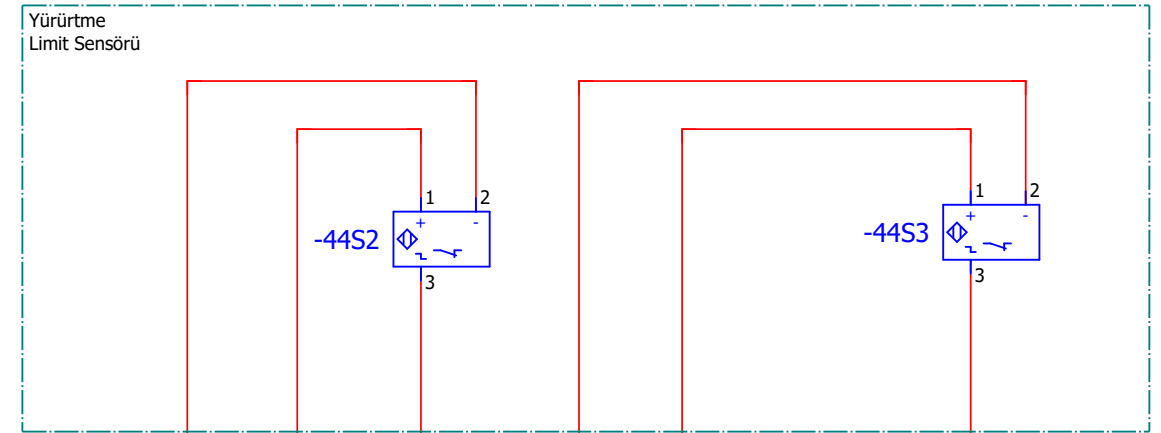
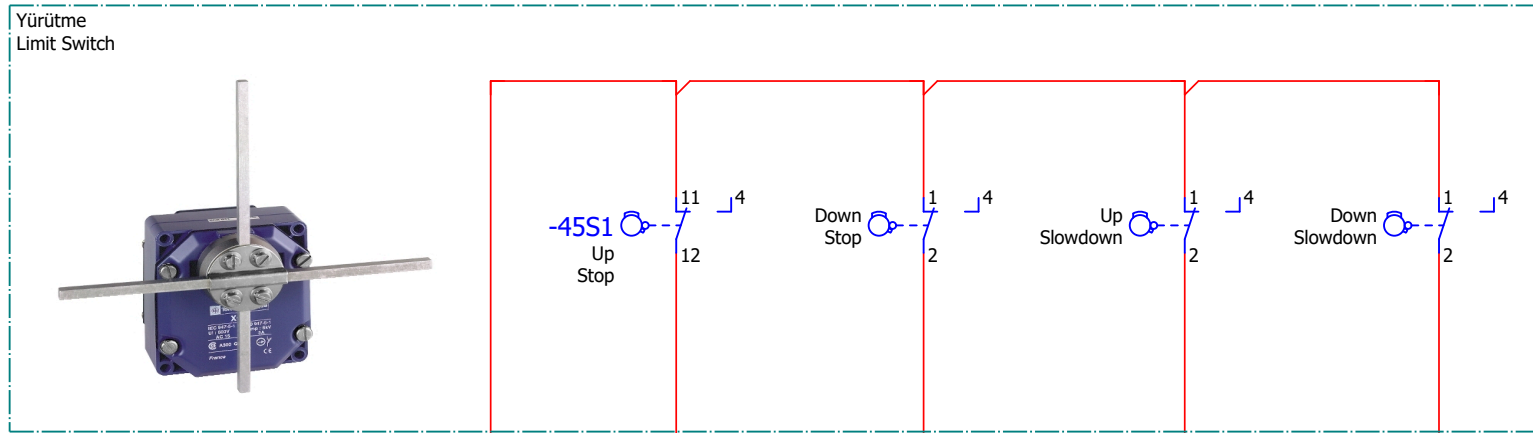
Beşiktaş Yüzer Havuz

Yürütme Kontrol Devresi

Yürütme Panosu

=	00SMC00GH00x
+	SMC00
Page	#3
85	





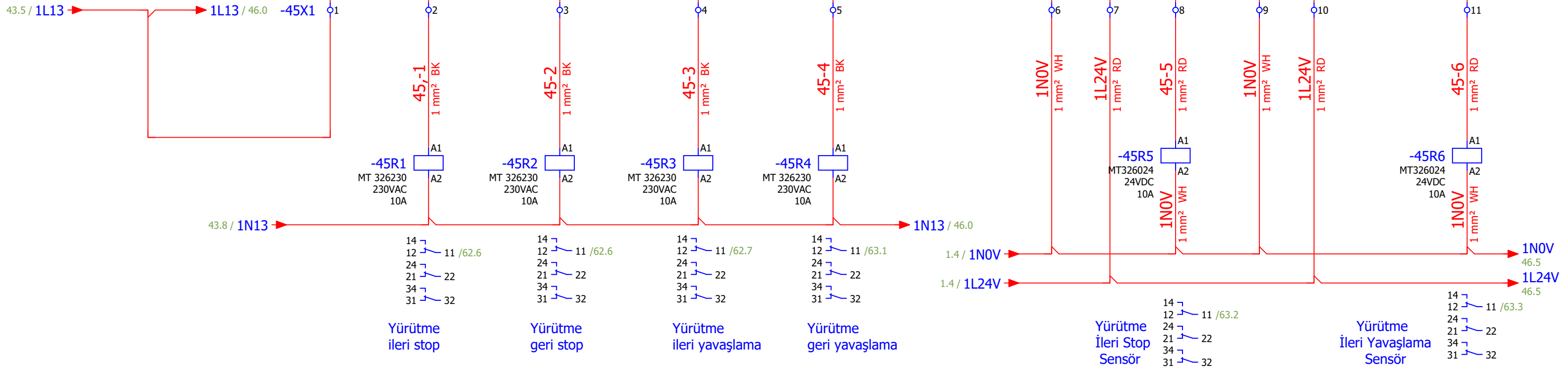
5x1,5  
-44W1  
/44.3  
H05VV-F

BK BN GY BU GNYE

4x1,5  
-44W2  
/44.5  
H05VV-F

4x1,5  
-44W3  
/44.5  
H05VV-F

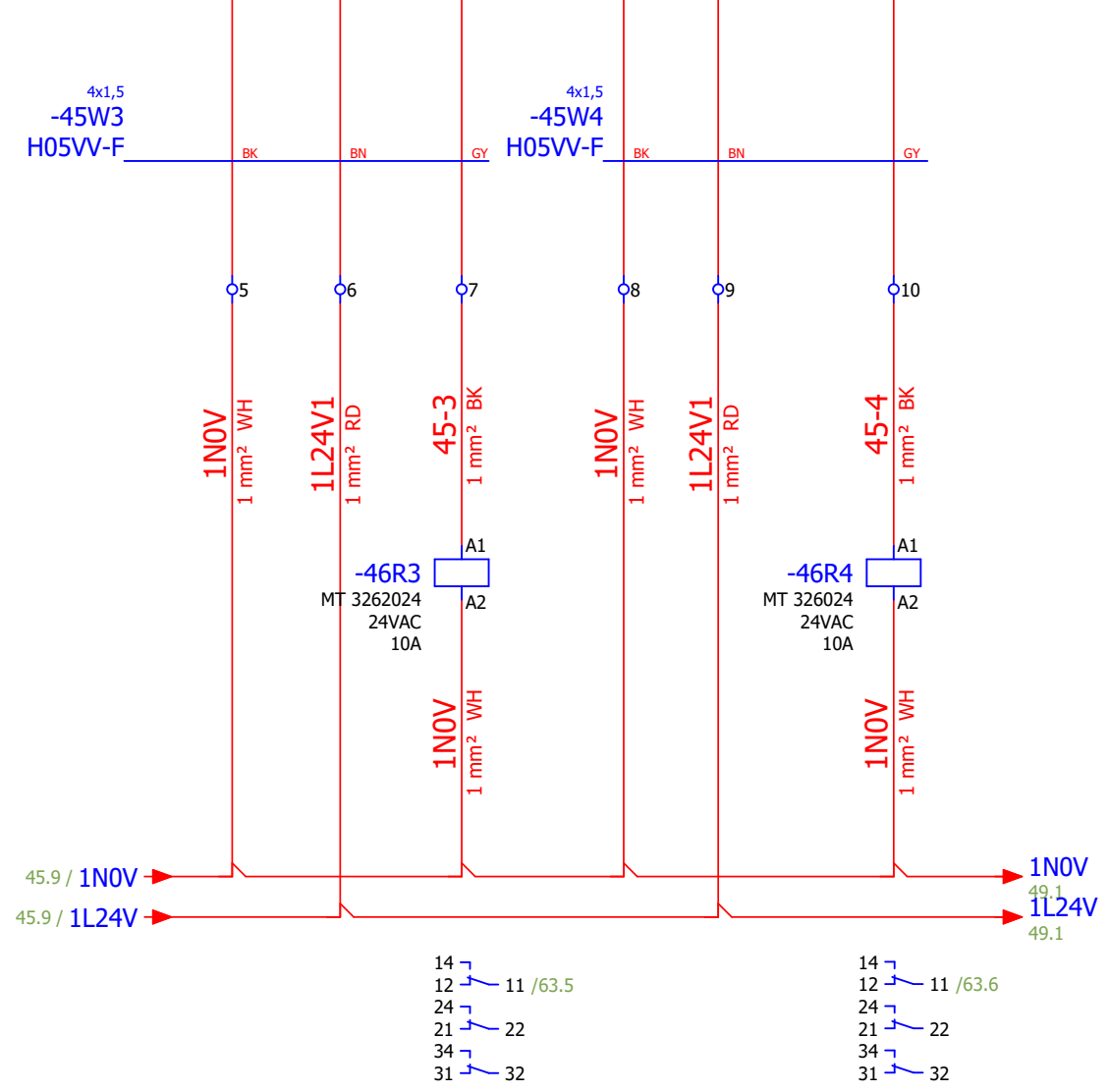
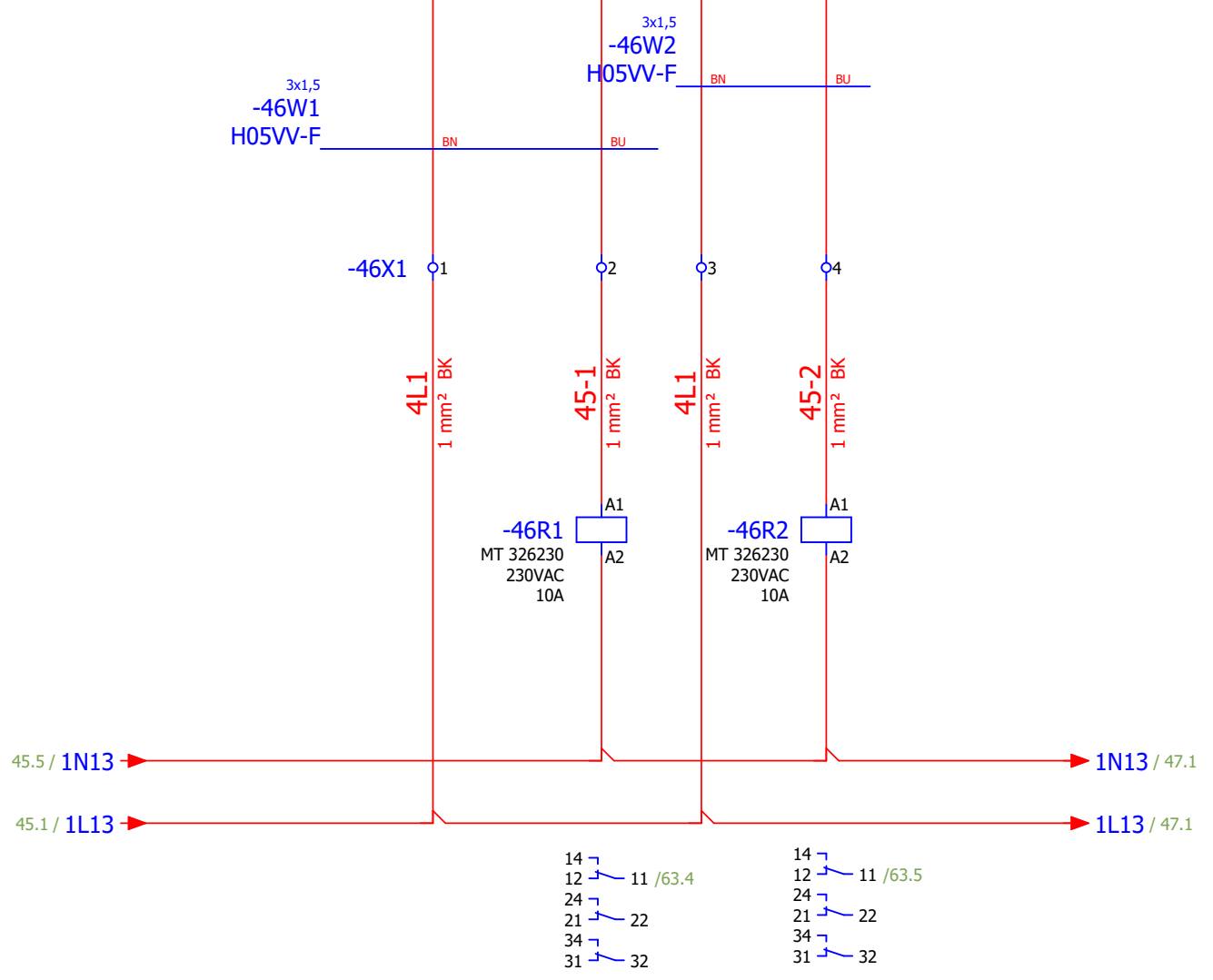
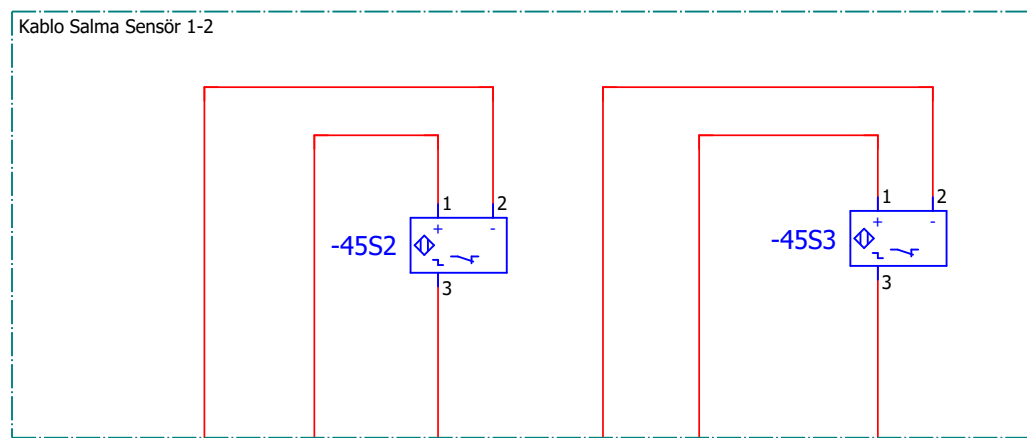
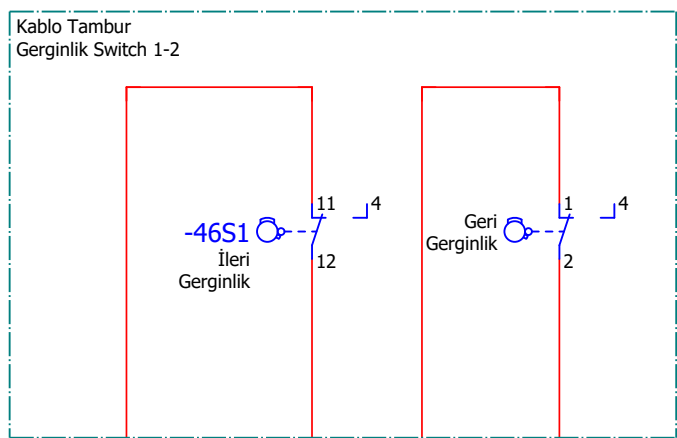
BK BN GY BK BN GY



EDITOR	Kemal Olgun
DATE	27.01.2022
CONTROLLER	Arif Az

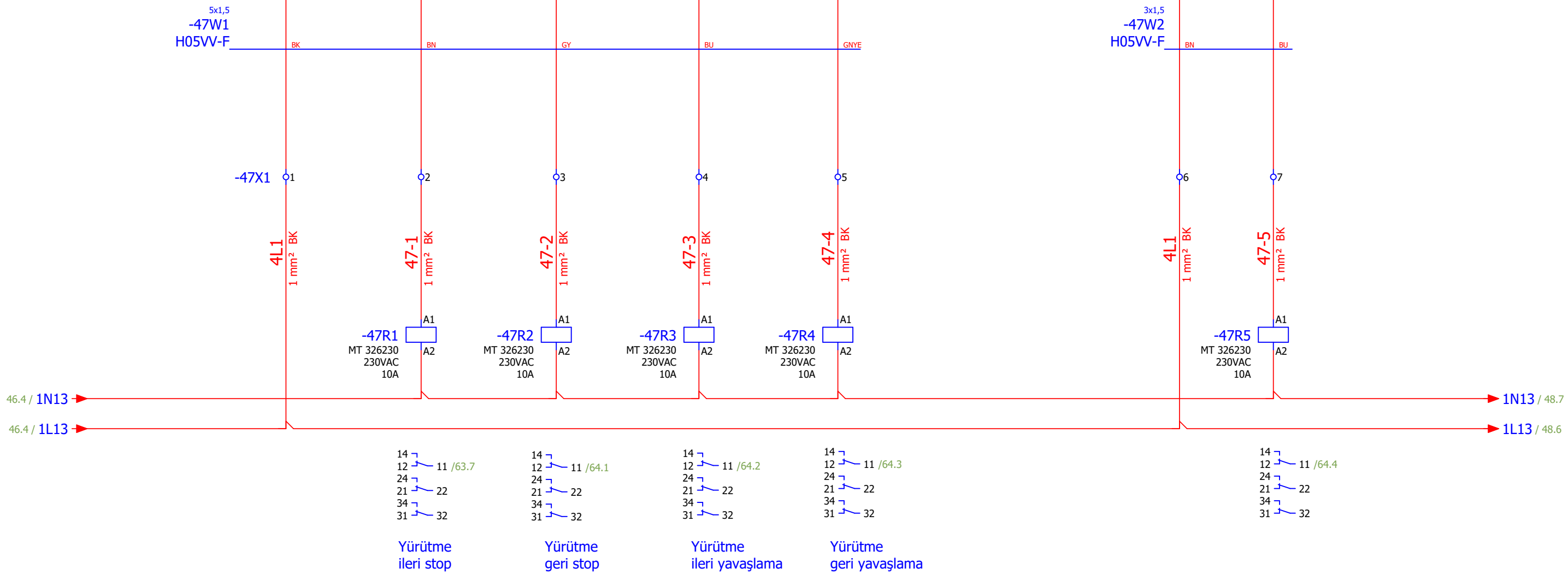
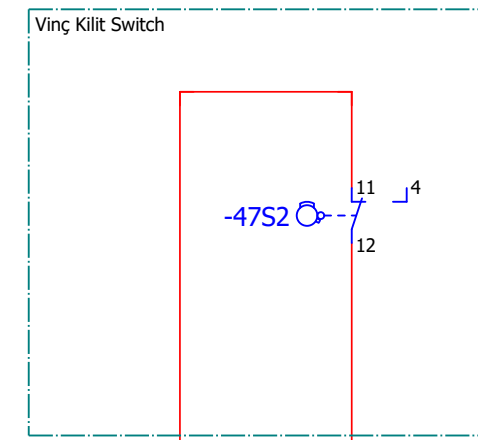
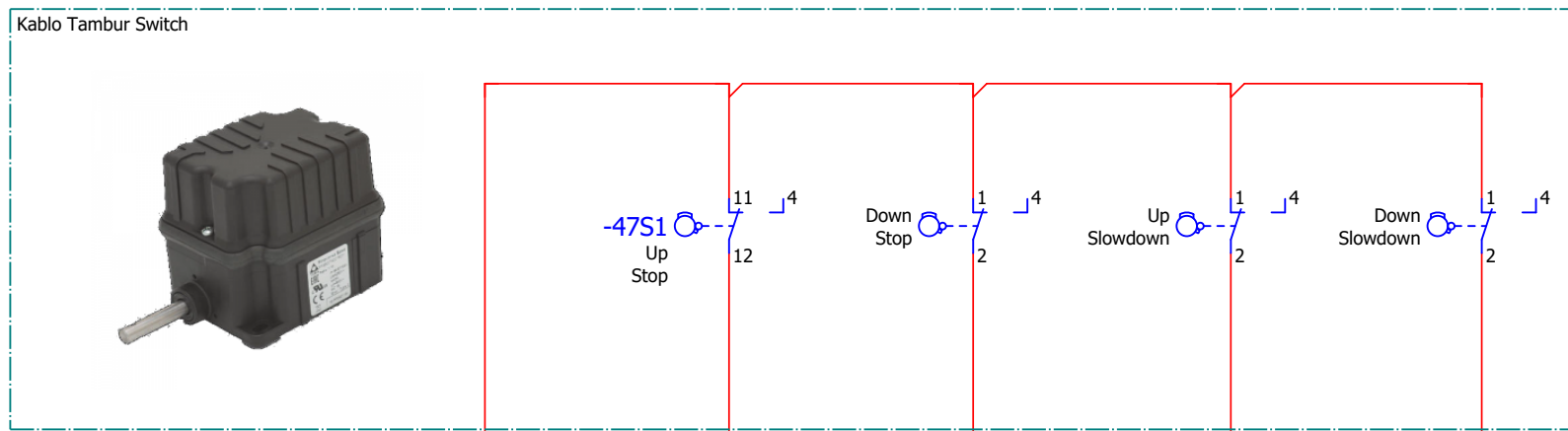


= 00SMC00GH00x
+ SMC00
Page /45
87



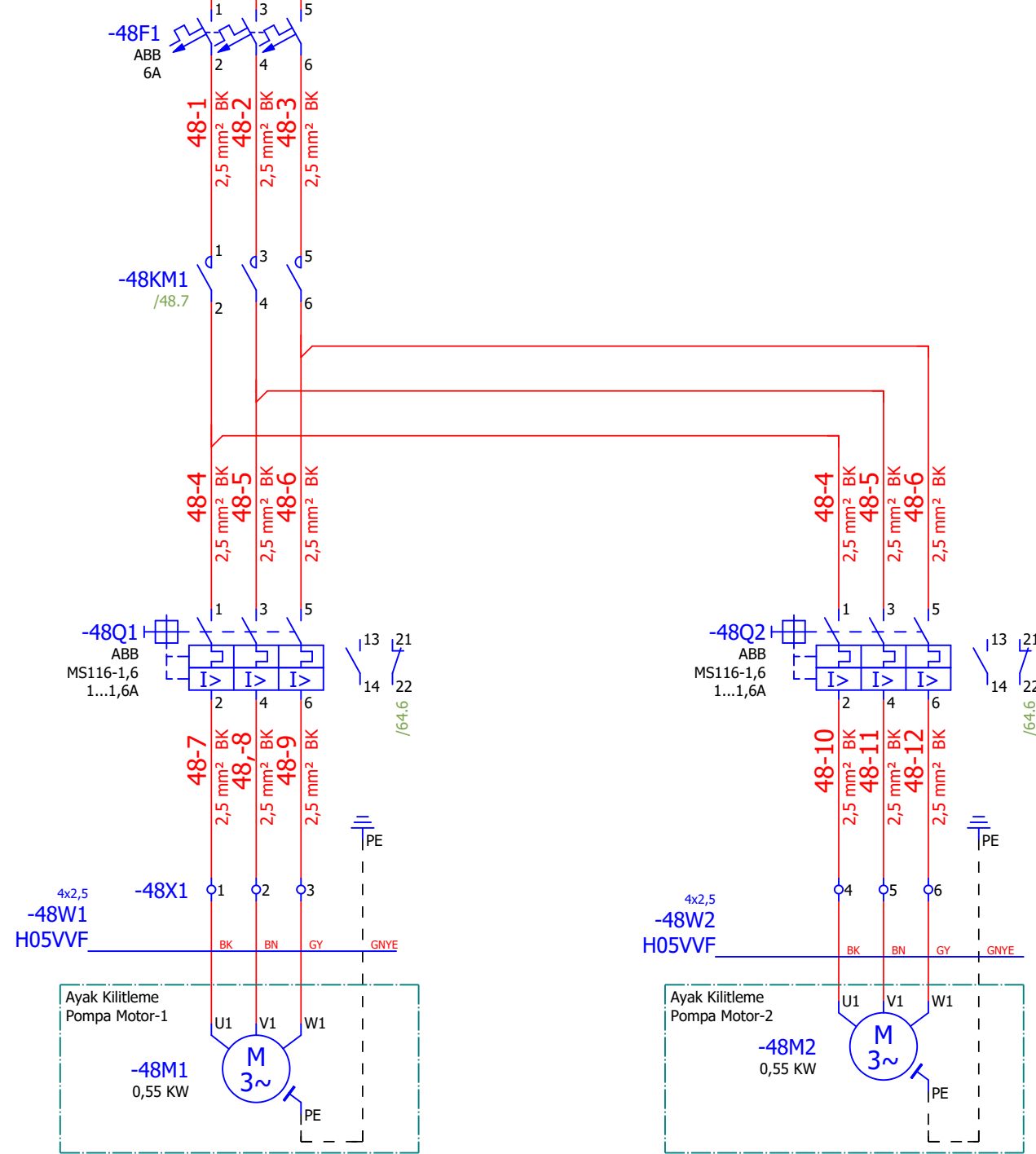
EDITOR	Kemal Olgun
DATE	27.01.2022
CONTROLLER	Arif Az





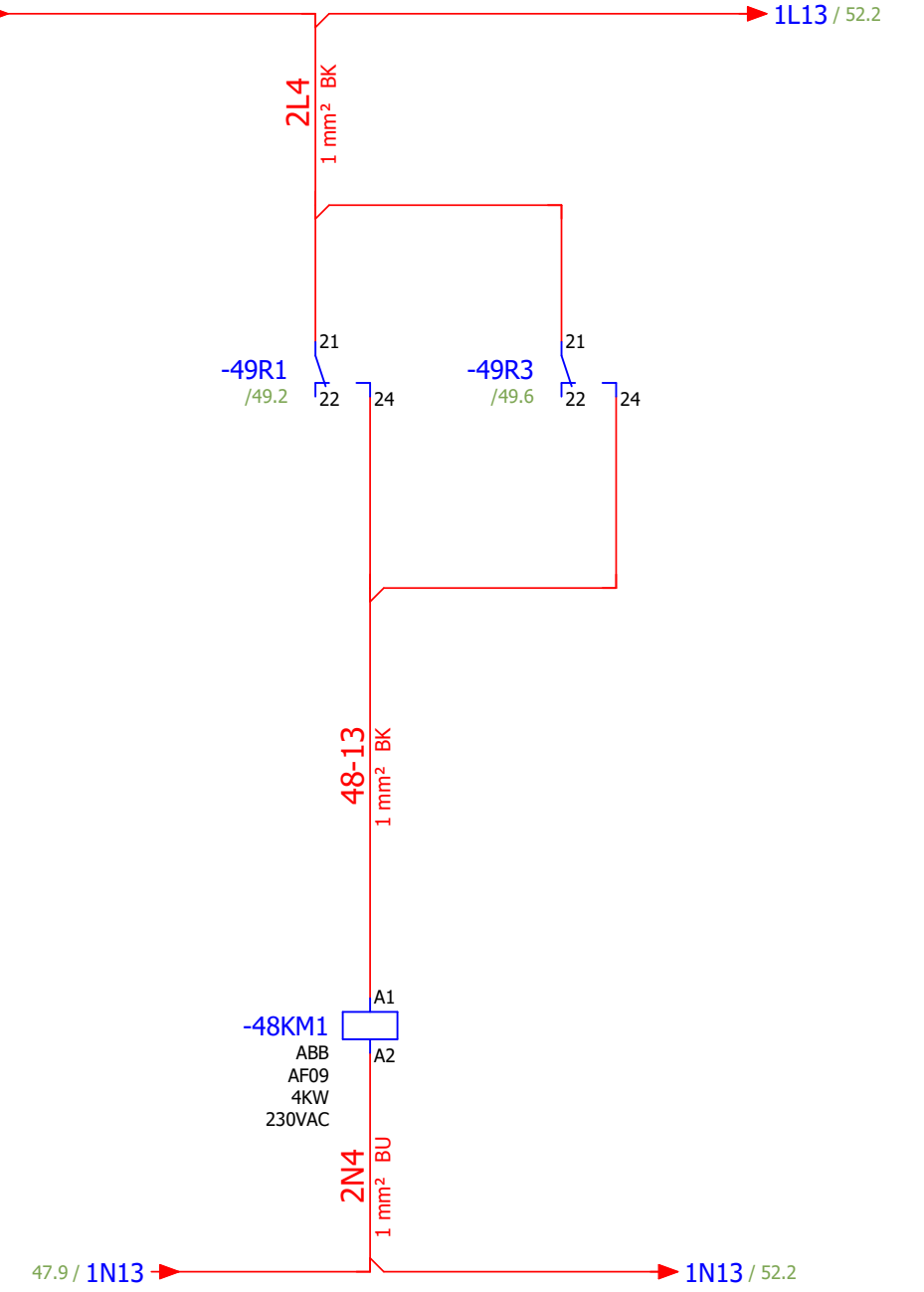
0.6 / 1L1  
0.6 / 1L2  
0.6 / 1L3

47.9 / 1L13



AYAK KİLİTLEME  
POMPA MOTORU-1  
(YALOVA)

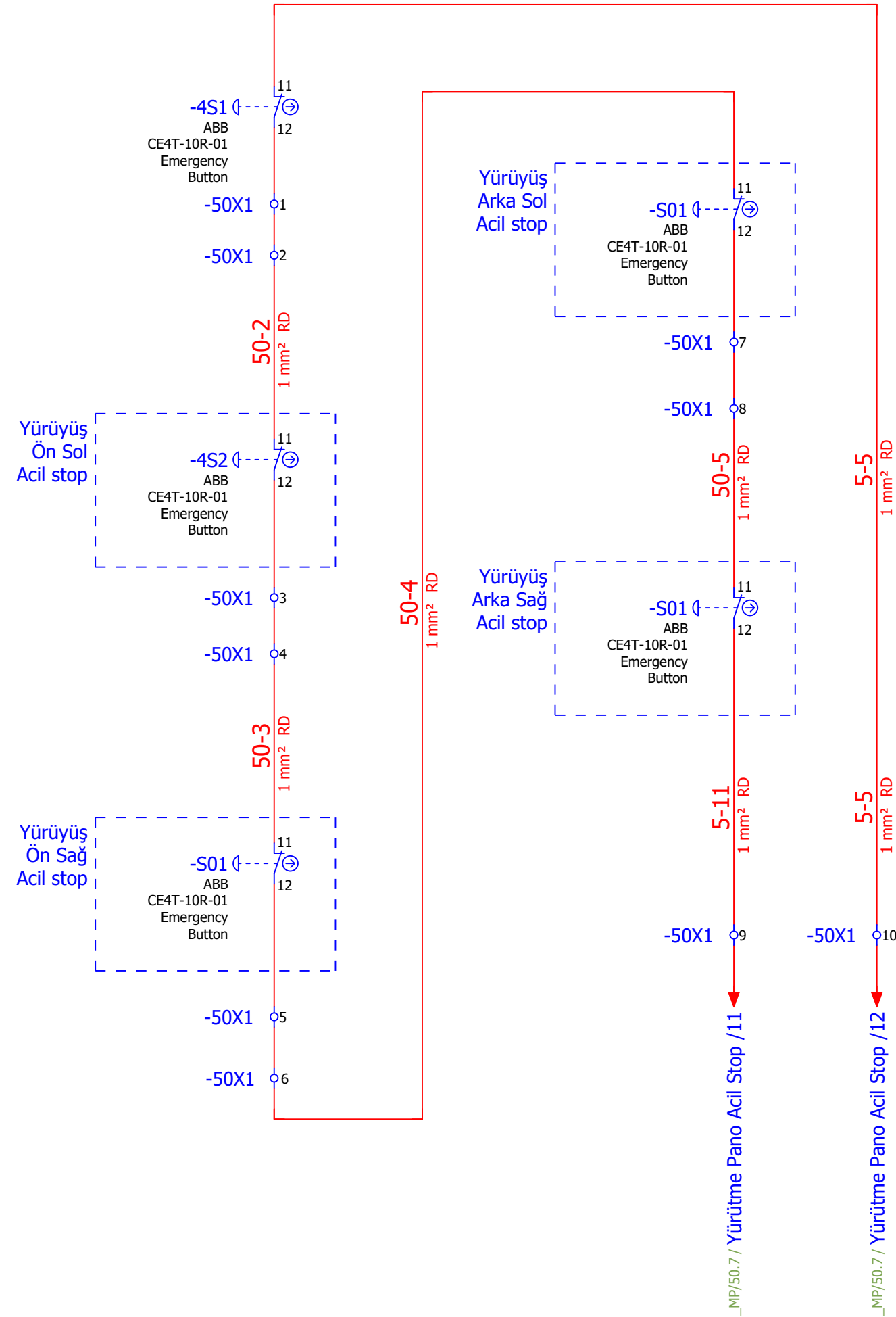
AYAK KİLİTLEME  
POMPA MOTORU-2  
(K. MÜRSEL)



1 2 /48.2  
3 4 /48.2  
5 6 /48.3  
13 14 /64.7  
3NO 4NO

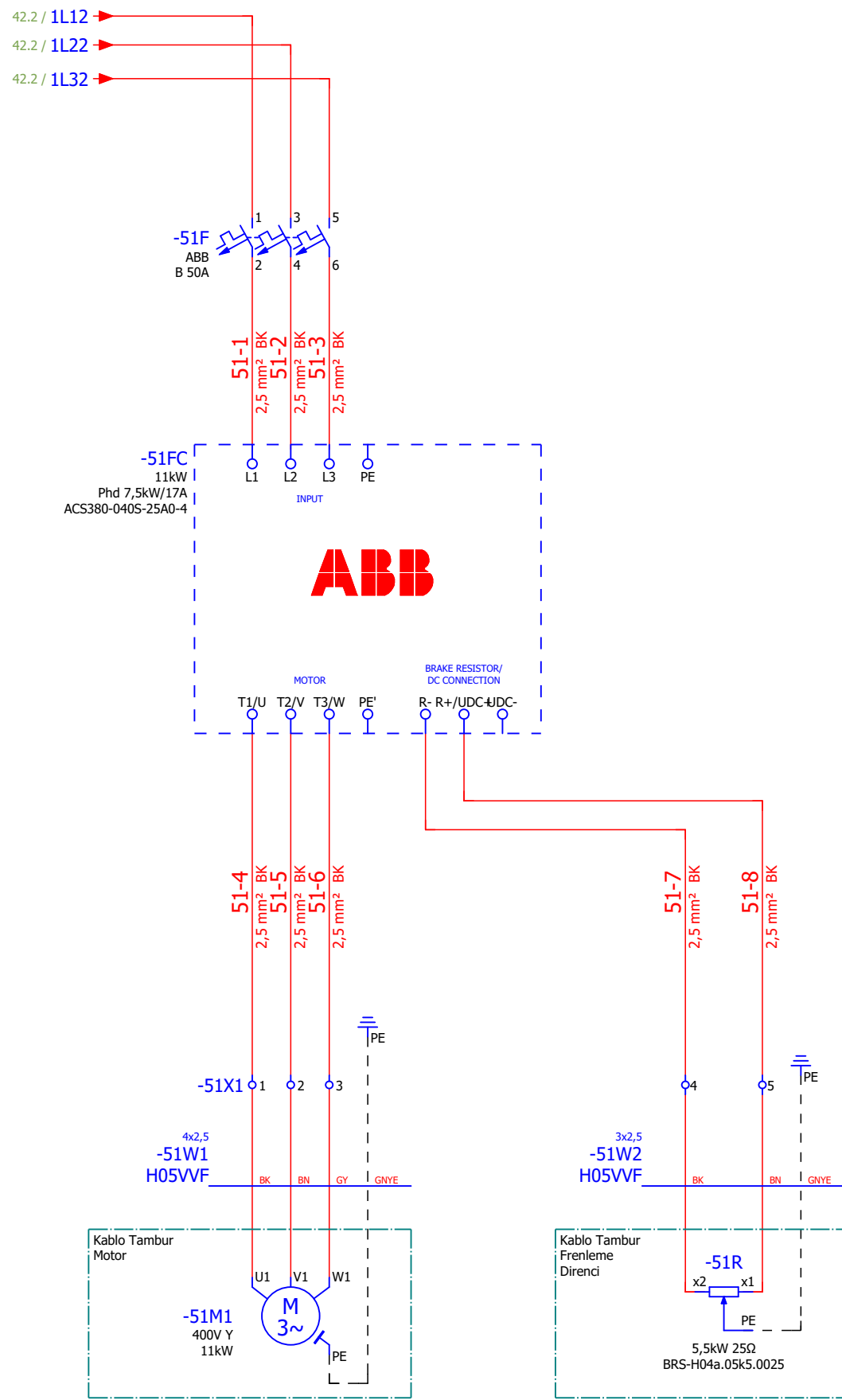
AYAK KİLİTLEME  
POMPA MOTORLARI  
KONTAKTÖRÜ





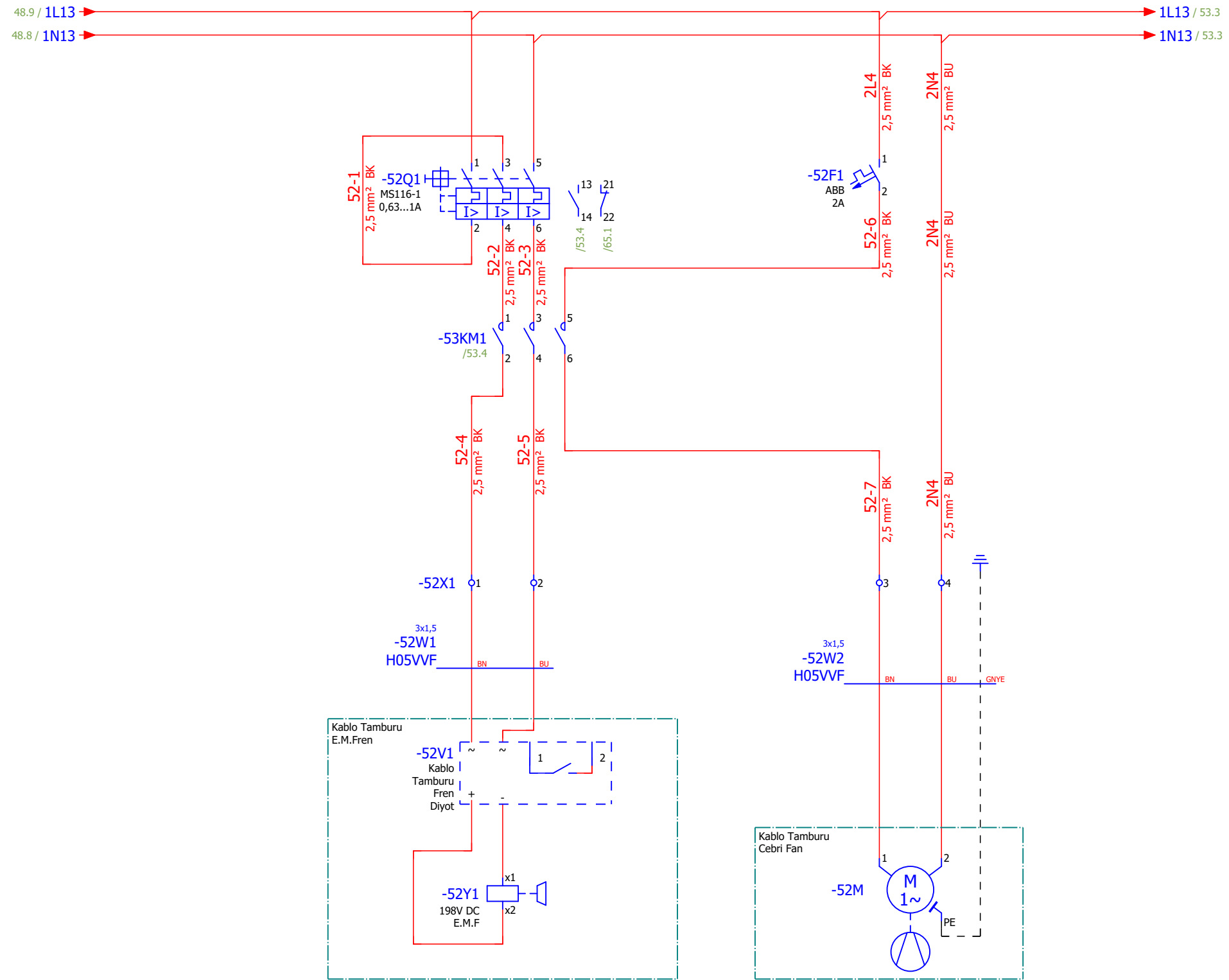
EDITOR	Kemal Olgun
DATE	27.01.2022
CONTROLLER	Arif Az





EDITOR	Kemal Olgun
DATE	27.01.2022
CONTROLLER	Arif Az

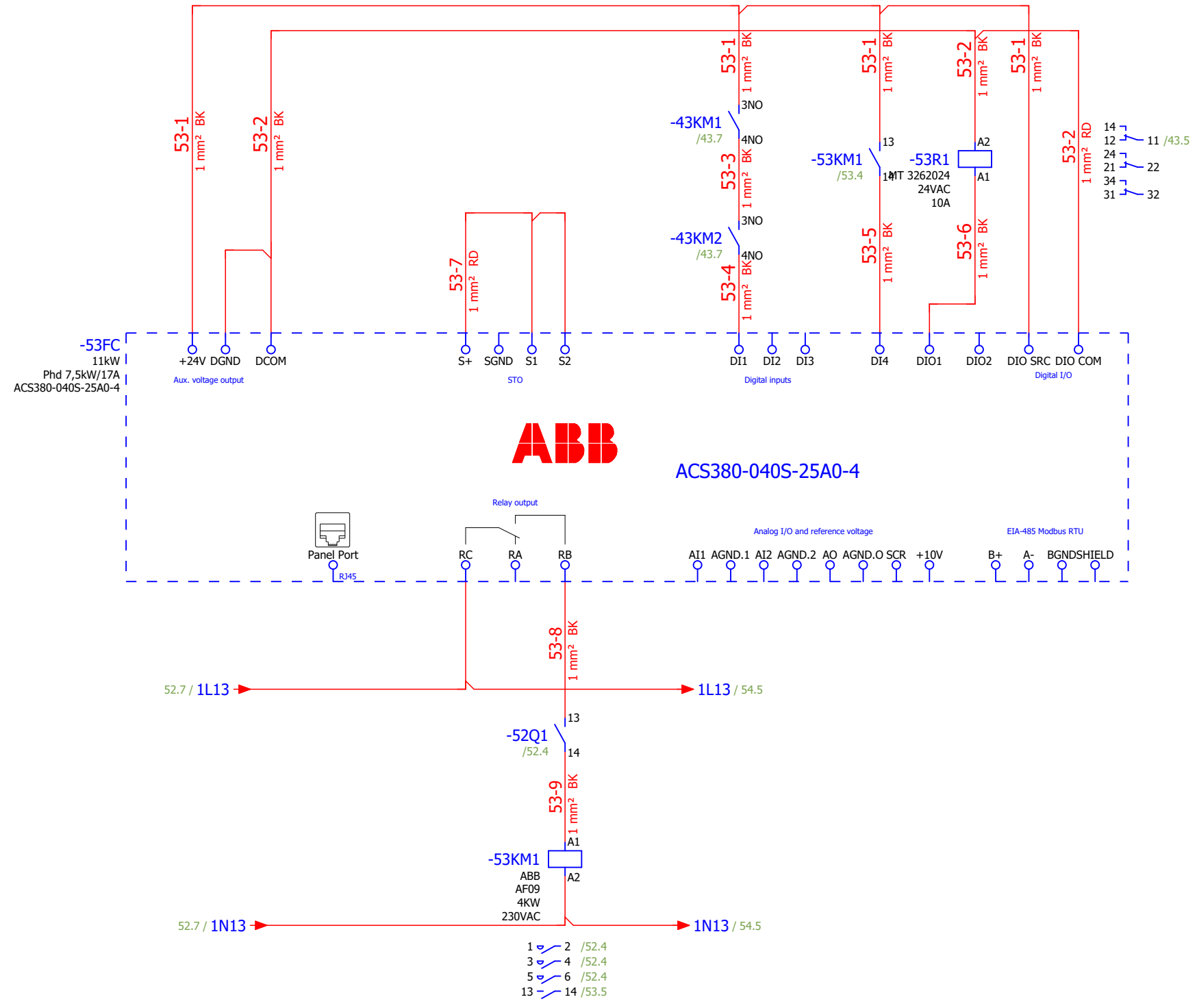




EDITOR	Kemal Olgun
DATE	27.01.2022
CONTROLLER	Arif Az



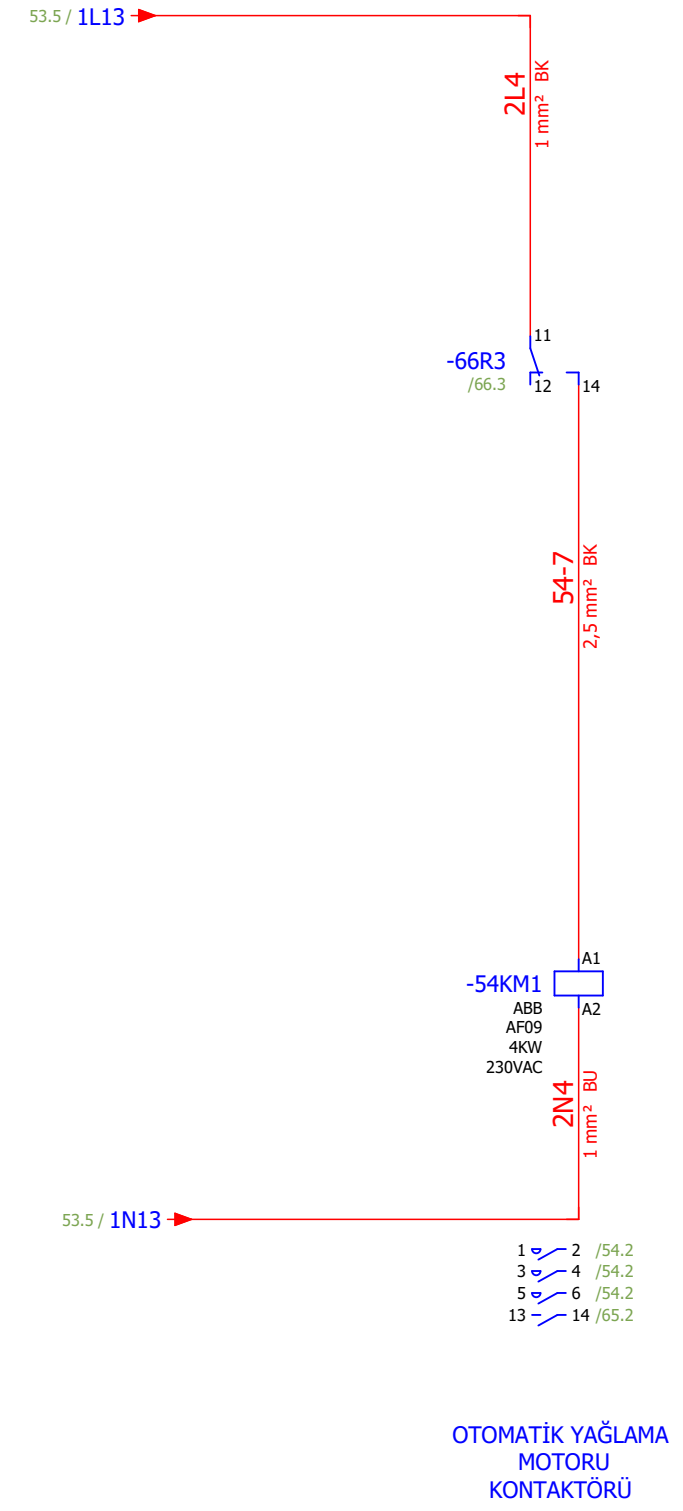
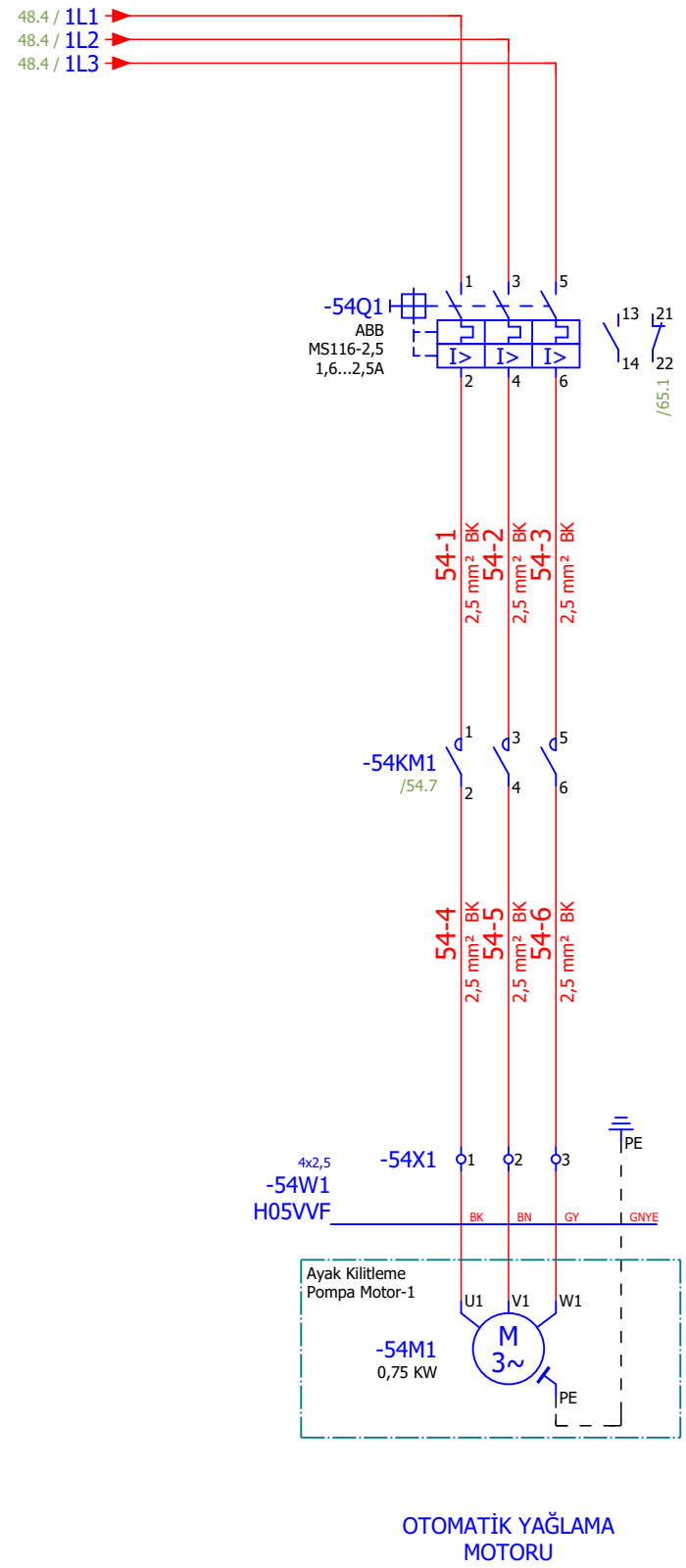
= 00SMC00GH00x
+ SMC00
Page /52
94



EDITOR	Kemal Olgun
DATE	27.01.2022
CONTROLLER	Arif Az



= 00SMC00GH00x
+ SMC00
Page /53
95



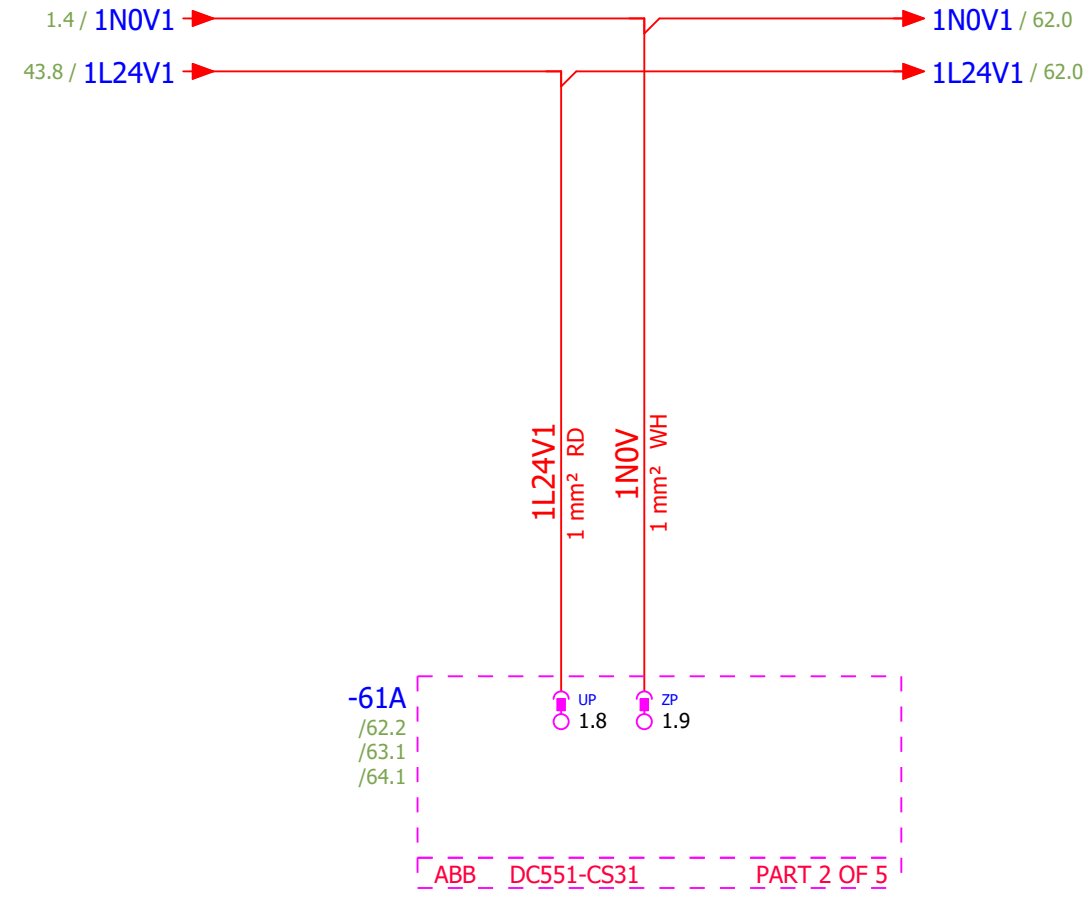
EDITOR	Kemal Olgun
DATE	27.01.2022
CONTROLLER	Arif Az

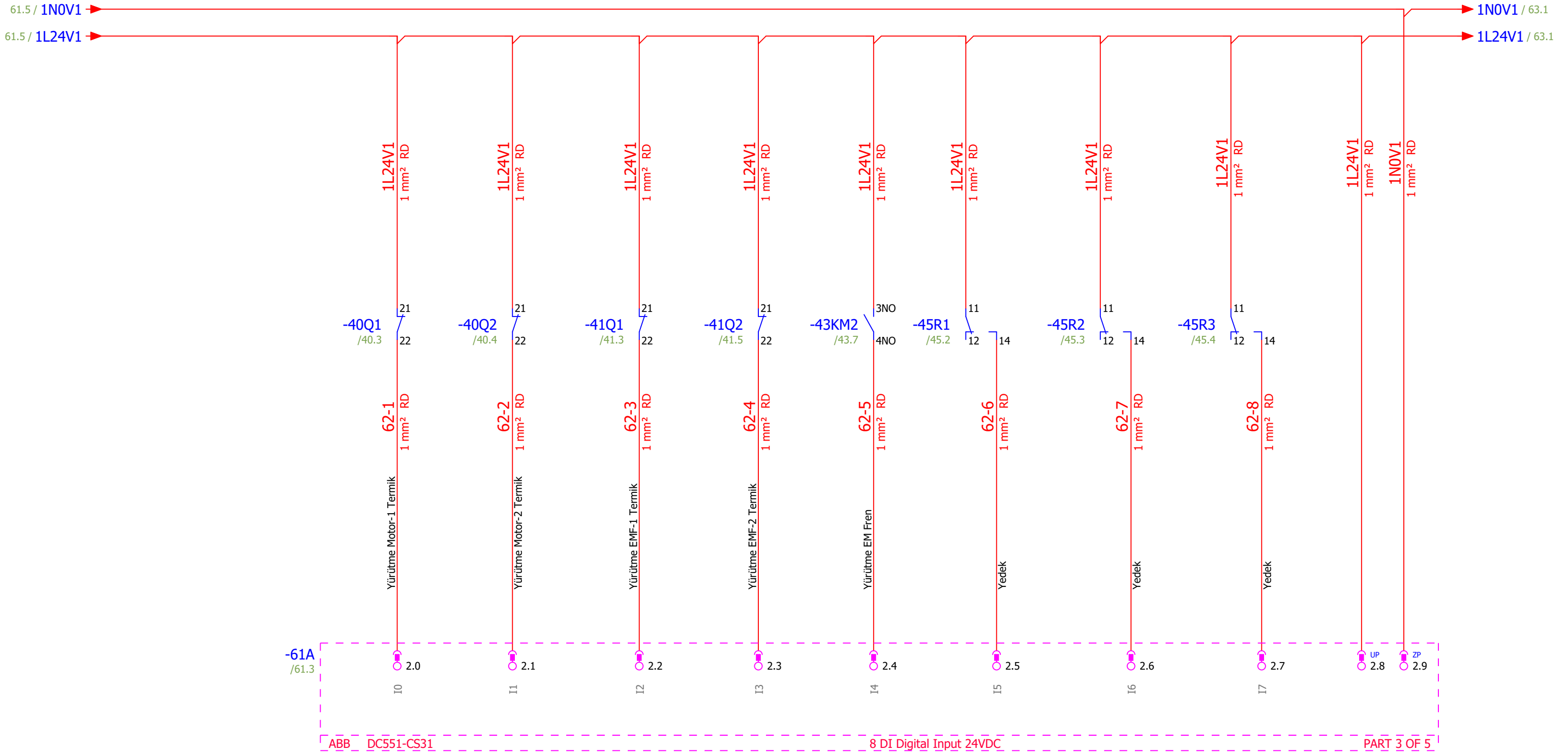


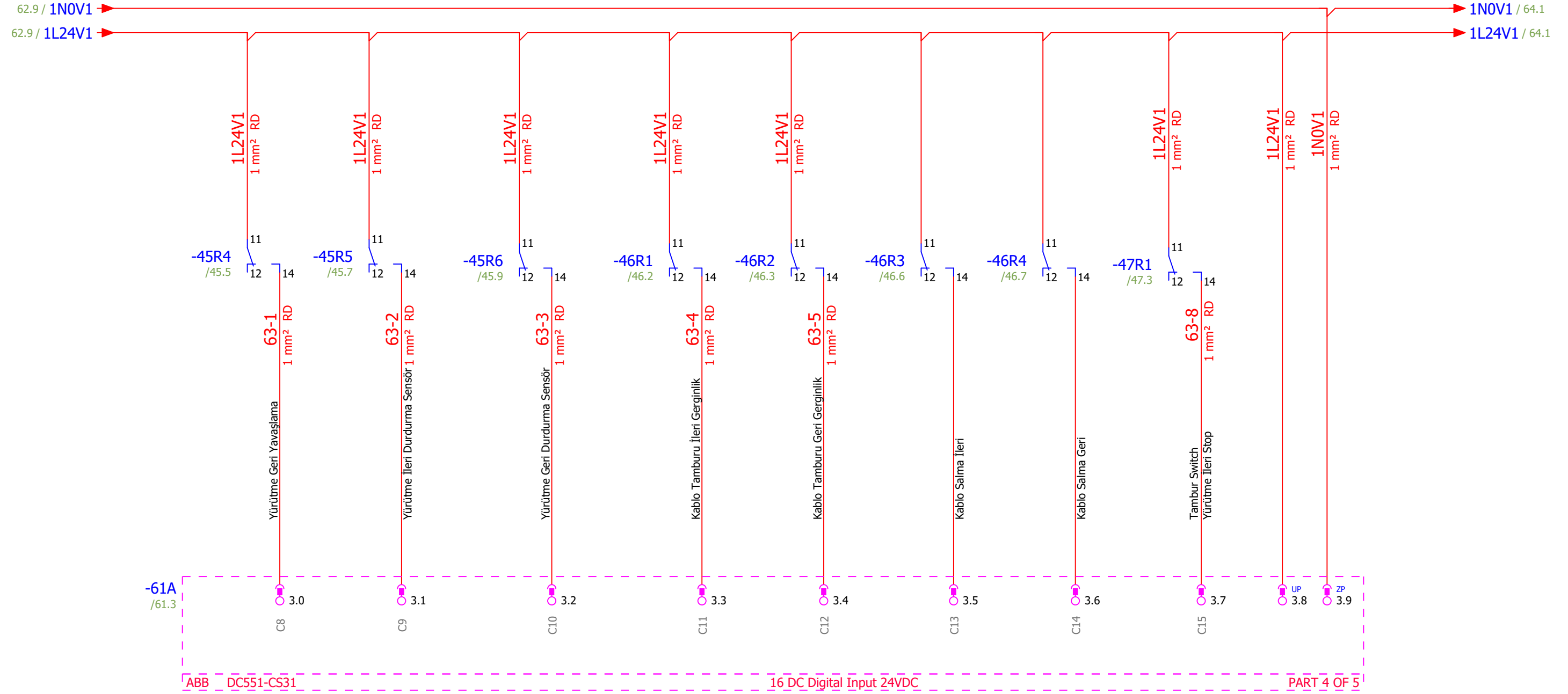
= 00SMC00GH00x
+ SMC00
Page /54
96

EDITOR	Kemal Olgun
DATE	27.01.2022
CONTROLLER	Arif Az







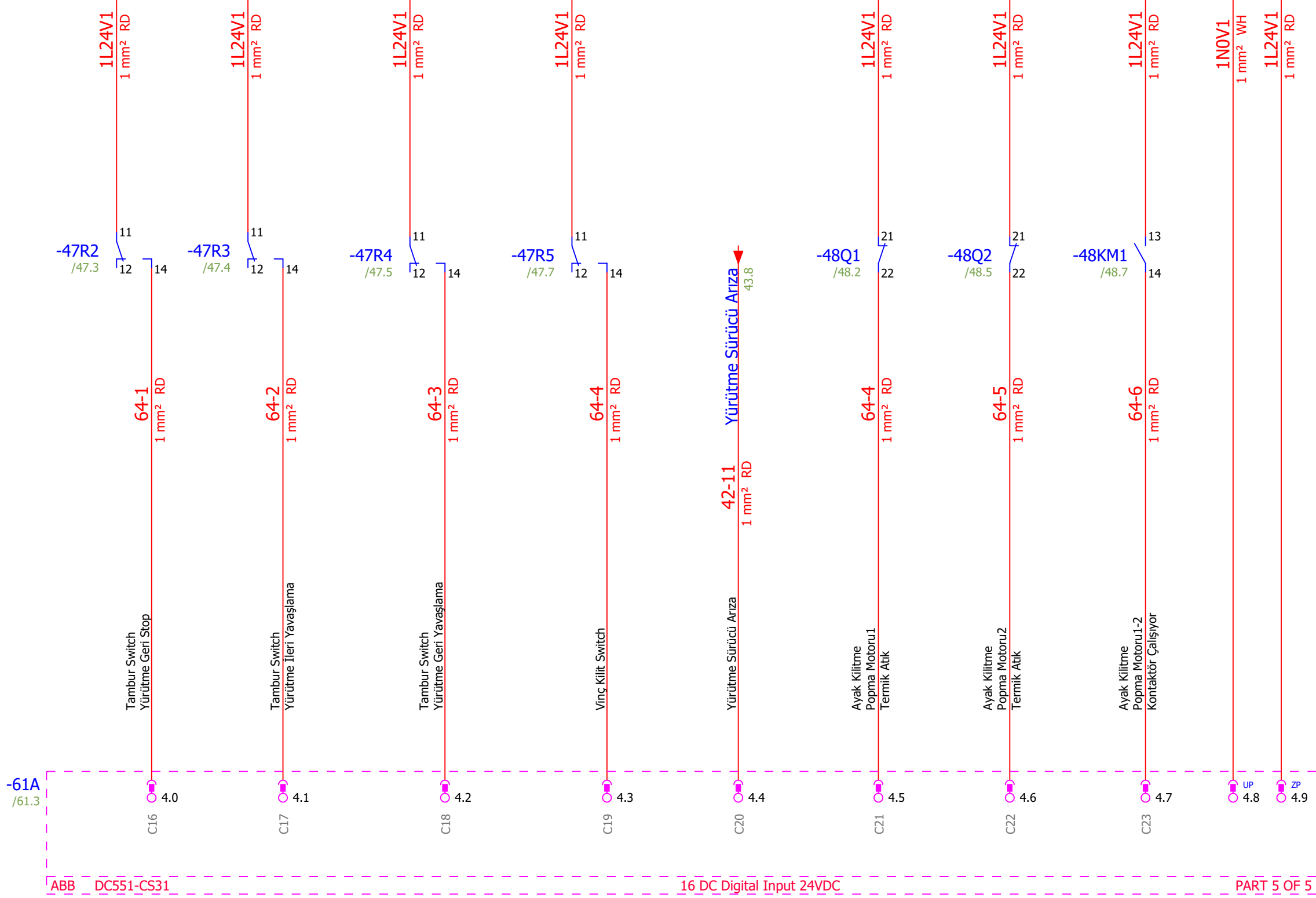


EDITOR	Kemal Olgun
DATE	27.01.2022
CONTROLLER	Arif Az



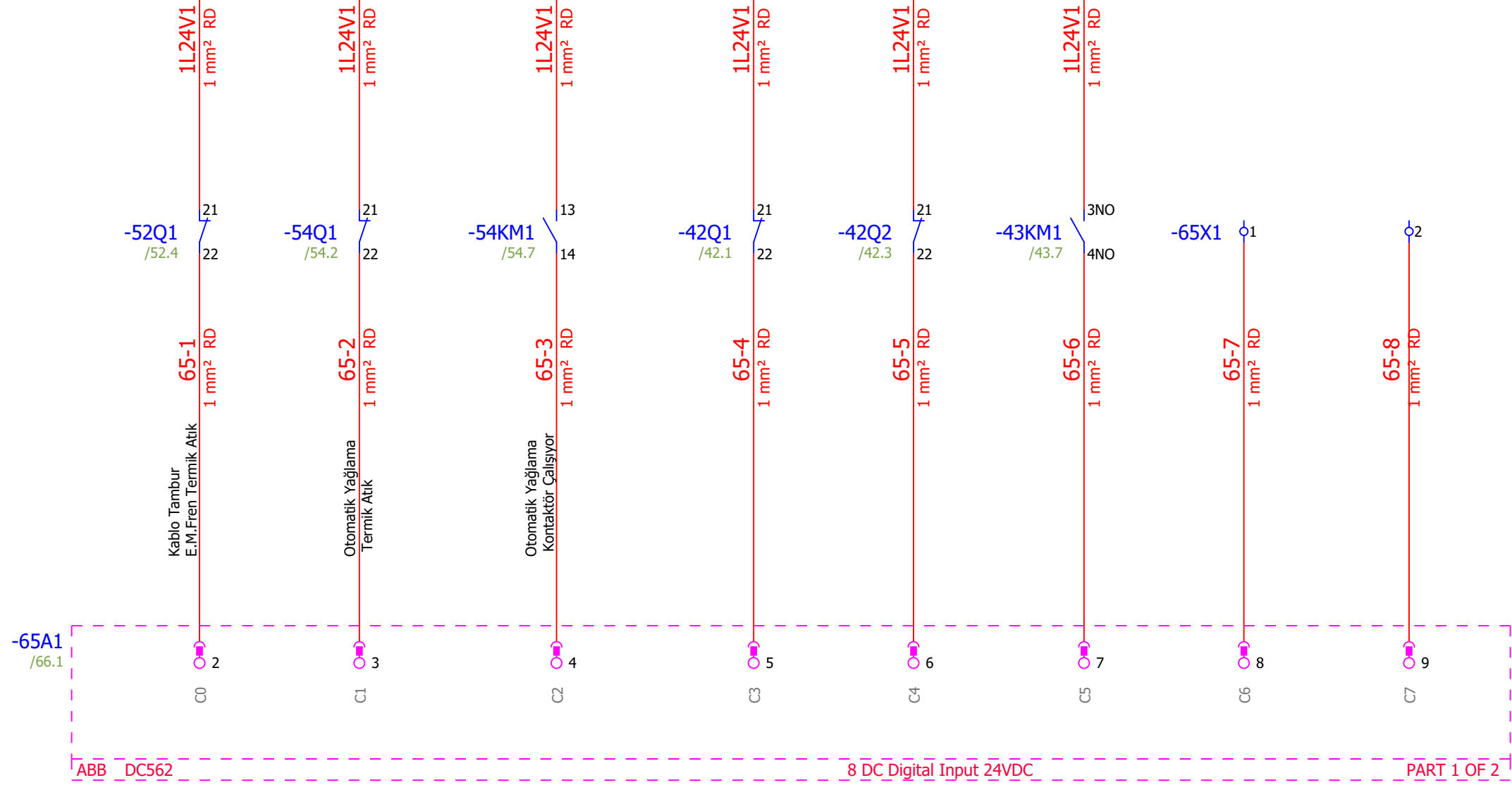
= 00SMC00GH00x
+ SMC00
Page /63
100

63.8 / 1NOV1  
63.8 / 1L24V1



64.8 / 1NOV1 → 1NOV1 / 66.0

64.8 / 1L24V1 → 1L24V1 / 66.0



EDITOR	Kemal Olgun
DATE	27.01.2022
CONTROLLER	Arif Az

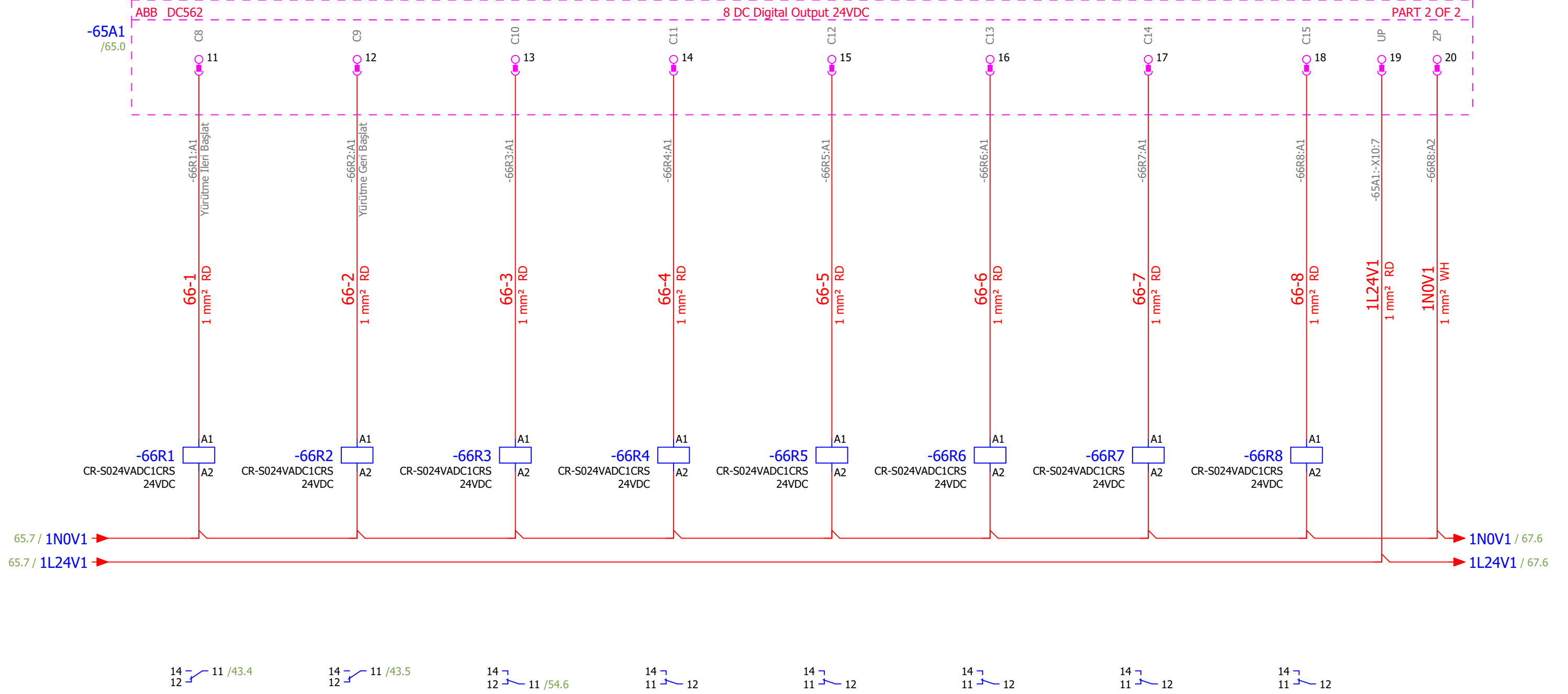


Beşiktaş Yüzer Havuz

KART2/DC562-DI8

Yürütme Panosu

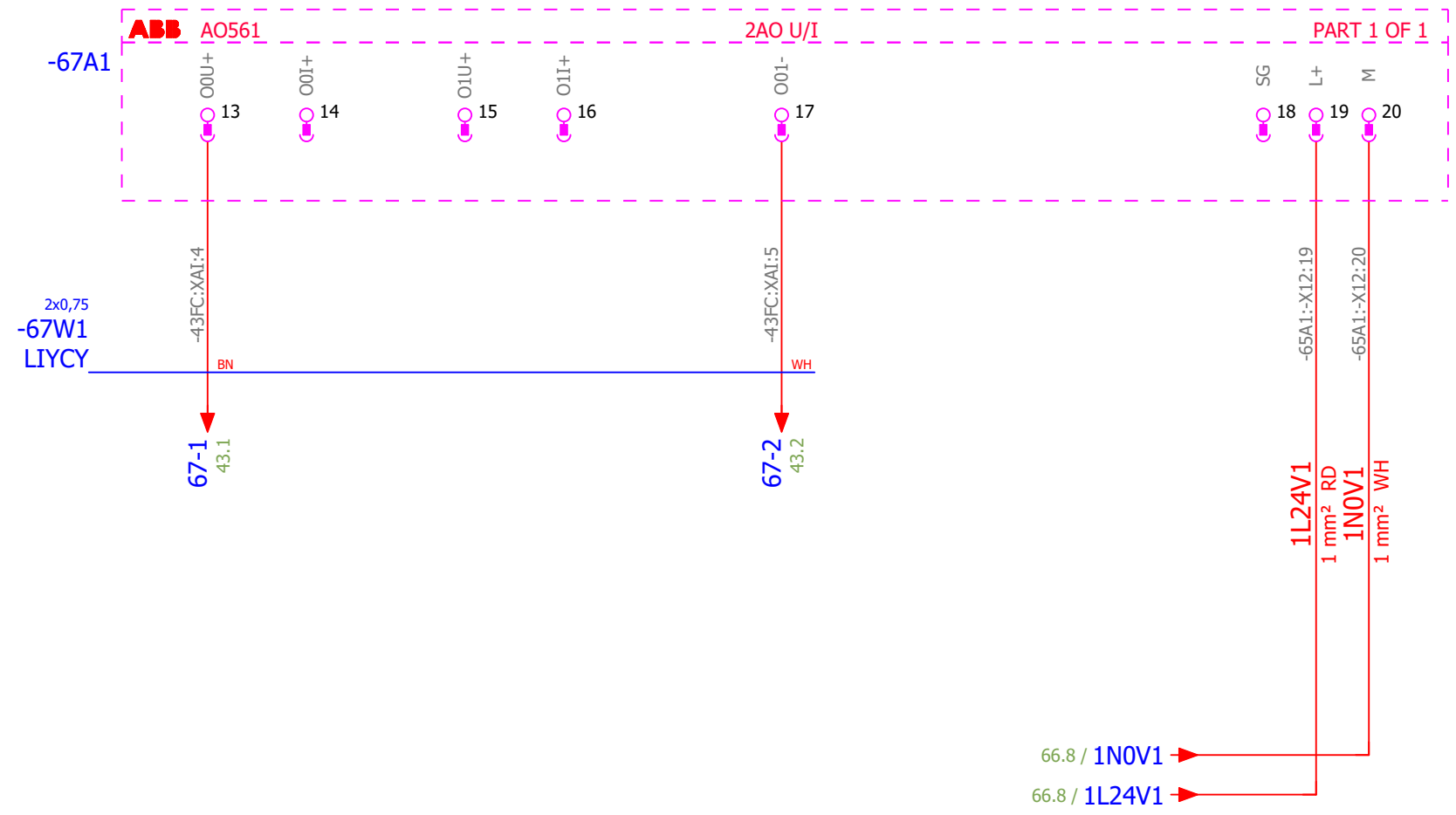
= 00SMC00GH00x
+ SMC00
Page /65
102



EDITOR	Kemal Olgun
DATE	27.01.2022
CONTROLLER	Arif Az



= 00SMC00GH00x
+ SMC00
Page /66
103



EDITOR	Kemal Olgun
DATE	27.01.2022
CONTROLLER	Arif Az

