

Higher level function	Mounting location	Page	Page description	Document No	Ind	Date	Name
=00SMC00GH00x	+SMC00	1	Beşiktaş 30T Jib Crane	Table of Contents	A		K.O
=00SMC00GH00x	+SMC00	2	Beşiktaş 30T Jib Crane	Table of Contents	A		K.O
=00SMC00GH00x	+SMC00	3	Beşiktaş 30T Jib Crane	Table of Contents	A		K.O
=00SMC00GH00x	+SMC00	1	Beşiktaş 30T Jib Crane	Part List	A		K.O
=00SMC00GH00x	+SMC00	2	Beşiktaş 30T Jib Crane	Part List	A		K.O
=00SMC00GH00x	+SMC00	3	Beşiktaş 30T Jib Crane	Part List	A		K.O
=00SMC00GH00x	+SMC00	4	Beşiktaş 30T Jib Crane	Part List	A		K.O
=00SMC00GH00x	+SMC00	5	Beşiktaş 30T Jib Crane	Part List	A		K.O
=00SMC00GH00x	+SMC00	6	Beşiktaş 30T Jib Crane	Part List	A		K.O
=00SMC00GH00x	+SMC00	7	Beşiktaş 30T Jib Crane	Part List	A		K.O
=00SMC00GH00x	+SMC00	8	Beşiktaş 30T Jib Crane	Part List	A		K.O
=00SMC00GH00x	+SMC00	1	Beşiktaş 30T Jib Crane	Cable List	A		K.O
=00SMC00GH00x	+SMC00	2	Beşiktaş 30T Jib Crane	Cable List	A		K.O
=00SMC00GH00x	+SMC00	3	Beşiktaş 30T Jib Crane	Cable List	A		K.O
=00SMC00GH00x	+SMC00	4	Beşiktaş 30T Jib Crane	Cable List	A		K.O
=00SMC00GH00x	+SMC00	5	Beşiktaş 30T Jib Crane	Cable List	A		K.O
=00SMC00GH00x	+SMC00	6	Beşiktaş 30T Jib Crane	Cable List	A		K.O
=00SMC00GH00x	+SMC00	7	Beşiktaş 30T Jib Crane	Cable List	A		K.O
=00SMC00GH00x	+SMC00	8	Beşiktaş 30T Jib Crane	Cable List	A		K.O
=00SMC00GH00x	+SMC00	9	Beşiktaş 30T Jib Crane	Cable List	A		K.O
=00SMC00GH00x	+SMC00	10	Beşiktaş 30T Jib Crane	Cable List	A		K.O
=00SMC00GH00x	+SMC00	11	Beşiktaş 30T Jib Crane	Cable List	A		K.O
=00SMC00GH00x	+SMC00	12	Beşiktaş 30T Jib Crane	Cable List	A		K.O
=00SMC00GH00x	+SMC00	13	Beşiktaş 30T Jib Crane	Cable List	A		K.O
=00SMC00GH00x	+SMC00	14	Beşiktaş 30T Jib Crane	Cable List	A		K.O
=00SMC00GH00x	+SMC00	15	Beşiktaş 30T Jib Crane	Cable List	A		K.O
=00SMC00GH00x	+SMC00	16	Beşiktaş 30T Jib Crane	Cable List	A		K.O
=00SMC00GH00x	+SMC00	17	Beşiktaş 30T Jib Crane	Cable List	A		K.O
=00SMC00GH00x	+SMC00	18	Beşiktaş 30T Jib Crane	Cable List	A		K.O
=00SMC00GH00x	+SMC00	19	Beşiktaş 30T Jib Crane	Cable List	A		K.O
=00SMC00GH00x	+SMC00	20	Beşiktaş 30T Jib Crane	Cable List	A		K.O
=00SMC00GH00x	+SMC00	21	Beşiktaş 30T Jib Crane	Cable List	A		K.O
=00SMC00GH00x	+SMC00	22	Beşiktaş 30T Jib Crane	Cable List	A		K.O
=00SMC00GH00x	+SMC00	23	Beşiktaş 30T Jib Crane	Cable List	A		K.O
=00SMC00GH00x	+SMC00	24	Beşiktaş 30T Jib Crane	Cable List	A		K.O
=00SMC00GH00x	+SMC00	25	Beşiktaş 30T Jib Crane	Cable List	A		K.O
=00SMC00GH00x	+SMC00	26	Beşiktaş 30T Jib Crane	Cable List	A		K.O
=00SMC00GH00x	+SMC00	27	Beşiktaş 30T Jib Crane	Cable List	A		K.O
=00SMC00GH00x	+SMC00	28	Beşiktaş 30T Jib Crane	Cable List	A		K.O
=00SMC00GH00x	+SMC00	1	Beşiktaş 30T Jib Crane	Ana Pano Yerleşimi	A		K.O
=00SMC00GH00x	+SMC00	2	Beşiktaş 30T Jib Crane	Ana Pano Yerleşimi (1800 Yükseklik)	A		K.O
=00SMC00GH00x	+SMC00	3	Beşiktaş 30T Jib Crane	Ana Pano Yerleşimi (2000 Yükseklik)	A		K.O
=00SMC00GH00x	+SMC00	4	Beşiktaş 30T Jib Crane	Ana Pano Yerleşimi	A		K.O
=00SMC00GH00x	+SMC00	5	Beşiktaş 30T Jib Crane	Ana Pano Yerleşimi	A		K.O
=00SMC00GH00x	+SMC00	7	Beşiktaş 30T Jib Crane	Yürütme Pano Yerleşimi	A		K.O
=00SMC00GH00x	+SMC00	8	Beşiktaş 30T Jib Crane	Yürütme Pano Yerleşimi	A		K.O
=00SMC00GH00x	+SMC00	1	Beşiktaş 30T Jib Crane	Pano Enerji Girişi	A		K.O
=00SMC00GH00x	+SMC00	2	Beşiktaş 30T Jib Crane	Kontrol Voltaj Gerilimi	A		K.O
=00SMC00GH00x	+SMC00	3	Beşiktaş 30T Jib Crane	Bom Projektör	A		K.O
=00SMC00GH00x	+SMC00	4	Beşiktaş 30T Jib Crane	Acil Stop Devresi	A		K.O

Higher level function	Mounting location	Page	Page description	Document No	Ind	Date	Name
=00SMC00GH00x	+SMC00	5	Beşiktaş 30T Jib Crane	Elk. Pano Ayd./Vinç İkaz Lamb.	A		K.O
=00SMC00GH00x	+SMC00	6	Beşiktaş 30T Jib Crane	Pano Odası Fan Güç Devresi	A		K.O
=00SMC00GH00x	+SMC00	10	Beşiktaş 30T Jib Crane	Ana Kanca Güç Devresi	A		K.O
=00SMC00GH00x	+SMC00	11	Beşiktaş 30T Jib Crane	Ana Kanca E.M.Fren Devresi	A		K.O
=00SMC00GH00x	+SMC00	12	Beşiktaş 30T Jib Crane	Ana Kanca Kontrol Devresi	A		K.O
=00SMC00GH00x	+SMC00	13	Beşiktaş 30T Jib Crane	Ana Kanca Joystik Devresi	A		K.O
=00SMC00GH00x	+SMC00	14	Beşiktaş 30T Jib Crane	Ana Kanca Enkoder	A		K.O
=00SMC00GH00x	+SMC00	15	Beşiktaş 30T Jib Crane	Ana Kanca Termistör	A		K.O
=00SMC00GH00x	+SMC00	16	Beşiktaş 30T Jib Crane	Ana Kanca Limit Switch Devresi	A		K.O
=00SMC00GH00x	+SMC00	20	Beşiktaş 30T Jib Crane	Yardımcı Kanca Güç Devresi	A		K.O
=00SMC00GH00x	+SMC00	21	Beşiktaş 30T Jib Crane	Yardımcı Kanca E.M.Fren Devresi	A		K.O
=00SMC00GH00x	+SMC00	22	Beşiktaş 30T Jib Crane	Yardımcı Kanca Kontrol Devresi	A		K.O
=00SMC00GH00x	+SMC00	23	Beşiktaş 30T Jib Crane	Yardımcı Kanca Joystik Devresi	A		K.O
=00SMC00GH00x	+SMC00	24	Beşiktaş 30T Jib Crane	Yardımcı Kanca Enkoder	A		K.O
=00SMC00GH00x	+SMC00	25	Beşiktaş 30T Jib Crane	Yardımcı Kanca Termistör	A		K.O
=00SMC00GH00x	+SMC00	26	Beşiktaş 30T Jib Crane	Yardımcı Kanca Limit Switch Devresi	A		K.O
=00SMC00GH00x	+SMC00	30	Beşiktaş 30T Jib Crane	Bom Güç Devresi	A		K.O
=00SMC00GH00x	+SMC00	31	Beşiktaş 30T Jib Crane	Bom Eldro Fren/E.M.Fren Devresi	A		K.O
=00SMC00GH00x	+SMC00	32	Beşiktaş 30T Jib Crane	Bom Kontrol Devresi	A		K.O
=00SMC00GH00x	+SMC00	33	Beşiktaş 30T Jib Crane	Bom Joystik Devresi	A		K.O
=00SMC00GH00x	+SMC00	34	Beşiktaş 30T Jib Crane	Bom Enkoder	A		K.O
=00SMC00GH00x	+SMC00	35	Beşiktaş 30T Jib Crane	Bom PTC Termistör	A		K.O
=00SMC00GH00x	+SMC00	36	Beşiktaş 30T Jib Crane	Bom Limit Siviç	A		K.O
=00SMC00GH00x	+SMC00	37	Beşiktaş 30T Jib Crane	Bom Açı Siviç	A		K.O
=00SMC00GH00x	+SMC00	40	Beşiktaş 30T Jib Crane	Yürütme Joystik Devresi	A		K.O
=00SMC00GH00x	+SMC00	50	Beşiktaş 30T Jib Crane	Döndürme Güç Devresi	A		K.O
=00SMC00GH00x	+SMC00	51	Beşiktaş 30T Jib Crane	Döndürme E.M.Fren Devresi	A		K.O
=00SMC00GH00x	+SMC00	52	Beşiktaş 30T Jib Crane	Döndürme Kontrol Devresi	A		K.O
=00SMC00GH00x	+SMC00	53	Beşiktaş 30T Jib Crane	Döndürme Joystik Devresi	A		K.O
=00SMC00GH00x	+SMC00	60	Beşiktaş 30T Jib Crane	PLC Konfigürasyon	A		K.O
=00SMC00GH00x	+SMC00	61	Beşiktaş 30T Jib Crane	CPU/PM564-6DI-2AI	A		K.O
=00SMC00GH00x	+SMC00	62	Beşiktaş 30T Jib Crane	CPU/PM564-2AO-6DO	A		K.O
=00SMC00GH00x	+SMC00	63	Beşiktaş 30T Jib Crane	KART1/DI524/DI32	A		K.O
=00SMC00GH00x	+SMC00	64	Beşiktaş 30T Jib Crane	KART1/DI524/DI32	A		K.O
=00SMC00GH00x	+SMC00	65	Beşiktaş 30T Jib Crane	KART1/DI524/DI32	A		K.O
=00SMC00GH00x	+SMC00	66	Beşiktaş 30T Jib Crane	KART1/DI524/DI32	A		K.O
=00SMC00GH00x	+SMC00	67	Beşiktaş 30T Jib Crane	KART2/DC562/DI8	A		K.O
=00SMC00GH00x	+SMC00	68	Beşiktaş 30T Jib Crane	KART2/DC562/DO8	A		K.O
=00SMC00GH00x	+SMC00	69	Beşiktaş 30T Jib Crane	KART3/DC562/DI16	A		K.O
=00SMC00GH00x	+SMC00	70	Beşiktaş 30T Jib Crane	KART3/DC562/DI16	A		K.O
=00SMC00GH00x	+SMC00	71	Beşiktaş 30T Jib Crane	KART4_AI531/AI8	A		K.O
=00SMC00GH00x	+SMC00	72	Beşiktaş 30T Jib Crane	KART4_AI531/AI8	A		K.O
=00SMC00GH00x	+SMC00	73	Beşiktaş 30T Jib Crane	KART5_AX531/4AI/4AO	A		K.O
=00SMC00GH00x	+SMC00	74	Beşiktaş 30T Jib Crane	KART6_AO561/AO2	A		K.O
=00SMC00GH00x	+SMC00	1	Beşiktaş 30T Jib Crane	Operatör Kabin Yardımcı Devre Panosu	A		K.O
=00SMC00GH00x	+SMC00	3	Beşiktaş 30T Jib Crane	Loadcell İndikatör (Ana Kanca İndikatör)	A		K.O
=00SMC00GH00x	+SMC00	4	Beşiktaş 30T Jib Crane	Loadcell İndikatör (Yard. Kanca İndikatör)	A		K.O
=00SMC00GH00x	+SMC00	1	Beşiktaş 30T Jib Crane	HMI	A		K.O
=00SMC00GH00x	+SMC00	5	Beşiktaş 30T Jib Crane	Sol Joystik	A		K.O
=00SMC00GH00x	+SMC00	6	Beşiktaş 30T Jib Crane	Kontrol Butonları	A		K.O

EDITOR	Kemal OLGUN
DATE	23.01.23
CONTROLLER	T.AKALTUN



Higher level function	Mounting location	Page	Page description	Document No	Ind	Date	Name
=00SMC00GH00x	+SMC00	7	Beşiktaş 30T Jib Crane	Sağ Joystik	A		K.O
=00SMC00GH00x	+SMC00	8	Beşiktaş 30T Jib Crane	Kontrol Butonları	A		K.O
=00SMC00GH00x	+SMC00	1	Beşiktaş 30T Jib Crane	Slipring Geçiş Bağlantısı	A		K.O
=00SMC00GH00x	+SMC00	1	Beşiktaş 30T Jib Crane	Yürütme Giriş Devresi	A		K.O
=00SMC00GH00x	+SMC00	2	Beşiktaş 30T Jib Crane	Yürütme Kontrol Voltaj Devresi	A		K.O
=00SMC00GH00x	+SMC00	3	Beşiktaş 30T Jib Crane	Yürütme Pano Aydınlatma Devresi	A		K.O
=00SMC00GH00x	+SMC00	4	Beşiktaş 30T Jib Crane	Yürütme İkaz Devresi	A		K.O
=00SMC00GH00x	+SMC00	5	Beşiktaş 30T Jib Crane	Merdiven Projektör	A		K.O
=00SMC00GH00x	+SMC00	6	Beşiktaş 30T Jib Crane	Saha Acil Stop	A		K.O
=00SMC00GH00x	+SMC00	7	Beşiktaş 30T Jib Crane	Kablo Tamburu Güç Devresi	A		K.O
=00SMC00GH00x	+SMC00	8	Beşiktaş 30T Jib Crane	Kablo Tamburu E.M.Fren Devresi	A		K.O
=00SMC00GH00x	+SMC00	9	Beşiktaş 30T Jib Crane	Kablo Tamburu Kontrol Devresi	A		K.O
=00SMC00GH00x	+SMC00	10	Beşiktaş 30T Jib Crane	Otomatik Yağlama güç/Kontrol Devresi	A		K.O
=00SMC00GH00x	+SMC00	40	Beşiktaş 30T Jib Crane	Yürütme Sürücü 1 Güç Devresi	A		K.O
=00SMC00GH00x	+SMC00	41	Beşiktaş 30T Jib Crane	Yürütme Sürücü 2 Güç Devresi	A		K.O
=00SMC00GH00x	+SMC00	42	Beşiktaş 30T Jib Crane	Yürütme E.M.Fren Devresi	A		K.O
=00SMC00GH00x	+SMC00	43	Beşiktaş 30T Jib Crane	Yürütme E.M. Fren Devresi	A		K.O
=00SMC00GH00x	+SMC00	44	Beşiktaş 30T Jib Crane	Yürütme 1 Kontrol Devresi	A		K.O
=00SMC00GH00x	+SMC00	45	Beşiktaş 30T Jib Crane	Yürütme 2 Kontrol Devresi	A		K.O
=00SMC00GH00x	+SMC00	46	Beşiktaş 30T Jib Crane	Yürütme Limit Switch Devresi	A		K.O
=00SMC00GH00x	+SMC00	47	Beşiktaş 30T Jib Crane	Kablo Tamburu Gerginlik Switch	A		K.O
=00SMC00GH00x	+SMC00	48	Beşiktaş 30T Jib Crane	Yürütme Kablo Tambur Switch	A		K.O
=00SMC00GH00x	+SMC00	49	Beşiktaş 30T Jib Crane	Yürütme Kilit Sistemi Güç Devresi	A		K.O
=00SMC00GH00x	+SMC00	50	Beşiktaş 30T Jib Crane	Yürütme Kilit Sistemi Kontrol Devresi	A		K.O
=00SMC00GH00x	+SMC00	60	Beşiktaş 30T Jib Crane	PLC Konfigürasyon	A		K.O
=00SMC00GH00x	+SMC00	61	Beşiktaş 30T Jib Crane	KART1/DC551-CS31	A		K.O
=00SMC00GH00x	+SMC00	62	Beşiktaş 30T Jib Crane	KART1/DC551-CS31-DI8	A		K.O
=00SMC00GH00x	+SMC00	63	Beşiktaş 30T Jib Crane	KART1/DC551-CS31-DI16	A		K.O
=00SMC00GH00x	+SMC00	64	Beşiktaş 30T Jib Crane	KART1/DC551-CS31-DI16	A		K.O
=00SMC00GH00x	+SMC00	65	Beşiktaş 30T Jib Crane	KART2/DC562-DI8	A		K.O
=00SMC00GH00x	+SMC00	66	Beşiktaş 30T Jib Crane	KART2/DC562-DO8	A		K.O
=00SMC00GH00x	+SMC00	67	Beşiktaş 30T Jib Crane	KART1/DI524/DI32	A		K.O
=00SMC00GH00x	+SMC00	68	Beşiktaş 30T Jib Crane	KART1/DI524/DI32	A		K.O
=00SMC00GH00x	+SMC00	69	Beşiktaş 30T Jib Crane	KART1/DI524/DI32	A		K.O
=00SMC00GH00x	+SMC00	70	Beşiktaş 30T Jib Crane	KART1/DI524/DI32	A		K.O
=00SMC00GH00x	+SMC00	71	Beşiktaş 30T Jib Crane	KART3/AO561-AO2	A		K.O

-3H1	1		NGR NPS3 32240	NITRA	NITRA.NGR NPS3 32240
-3H2	1		NGR NPS3 32240	NITRA	NITRA.NGR NPS3 32240
-3H3	1		NGR NPS3 32240	NITRA	NITRA.NGR NPS3 32240
-3H4	1		NGR NPS3 32240	NITRA	NITRA.NGR NPS3 32240
-3H5	1		NGR NPS3 32240	NITRA	NITRA.NGR NPS3 32240
-3H6	1		NGR NPS3 32240	NITRA	NITRA.NGR NPS3 32240
_MP-1F1	1	Miniature Circuit Breaker - S200 - 1P - C - 2 A	S 201-C2	ABB	ABB.2CDS251001R0024
_MP-1F2	1	Miniature Circuit Breaker - S200 - 1P - C - 2 A	S 201-C2	ABB	ABB.2CDS251001R0024
_MP-1F3	1	Miniature Circuit Breaker - S200 - 1P - C - 2 A	S 201-C2	ABB	ABB.2CDS251001R0024
_MP-2F1	1	Miniature Circuit Breaker - S200 - 2P - C - 4 A	S202-C4	ABB	ABB.2CDS252001R0044
_MP-2F2	1	Miniature Circuit Breaker - S200 - 2P - C - 6 A	S202-C6	ABB	ABB.2CDS252001R0064
_MP-2F3	1	Miniature Circuit Breaker - S200 - 1P - C - 2 A	S 201-C2	ABB	ABB.2CDS251001R0024
_MP-2F4	1	Miniature Circuit Breaker - S200 - 1P - C - 2 A	S 201-C2	ABB	ABB.2CDS251001R0024
_MP-2F5	1	Miniature Circuit Breaker - S200 - 1P - C - 2 A	S 201-C2	ABB	ABB.2CDS251001R0024
_MP-2F6	1	Miniature Circuit Breaker - S200 - 1P - C - 2 A	S 201-C2	ABB	ABB.2CDS251001R0024
_MP-2F7	1	Miniature Circuit Breaker - S200 - 2P - C - 16 A	S202-C16	ABB	ABB.2CDS252001R0164
_MP-2F8	1	Miniature Circuit Breaker - S200 - 2P - C - 25 A	S202-C25	ABB	ABB.2CDS252001R0254
_MP-3F1	1	Miniature Circuit Breaker - S200 - 2P - C - 6 A	S202-C6	ABB	ABB.2CDS252001R0064
_MP-4F1	1	Miniature Circuit Breaker - S200 - 1P - C - 2 A	S 201-C2	ABB	ABB.2CDS251001R0024
_MP-5F1	1	Miniature Circuit Breaker - S200 - 1P - C - 2 A	S 201-C2	ABB	ABB.2CDS251001R0024
_MP-5F2	1	Miniature Circuit Breaker - S200 - 1P - C - 2 A	S 201-C2	ABB	ABB.2CDS251001R0024
_MP-5F3	1	Miniature Circuit Breaker - S200 - 1P - C - 16 A	S201-C16	ABB	ABB.2CDS251001R0164
_MP-5F4	1	Miniature Circuit Breaker - S200 - 1P - C - 2 A	S 201-C2	ABB	ABB.2CDS251001R0024
_MP-10F	1	XLP 2-6BC - NH Fuse Holder	XLP 2-6BC	ABB	ABB.1SEP101892R0002
_MP-10F	3	450A NH2 Quick Type Blade fuse	D320485	MERSEN	MER.D320485
_MP-20F	1	XLP 000-6CC - NH Fuse Holder	XLP 000-6CC	ABB	ABB.1SEP201428R0002
_MP-20F	3	125A NH000 Hızlı Bıçaklı sigorta	X320065	MERSEN	MER.X320065
_MP-30F	1	XLP 000-6CC - NH Fuse Holder	XLP 000-6CC	ABB	ABB.1SEP201428R0002
_MP-30F	3	250A NH000 Quick Type Blade fuse	H320075	MERSEN	MER.H320075
_MP-50F	1	XLP 000-6CC - NH Fuse Holder	XLP 000-6CC	ABB	ABB.1SEP201428R0002
_MP-50F	3	100A NH000 Quick Type Blade Fuse	V320063	MERSEN	MER.V320063
_MP-10FC	1	ABB ACS880-01-246A-3 Pcont.max:132kW, Icont.max:246A	ACS880-01-246A-3+L502+N5050+D150	ABB	ABB.ACS880-01-246A-3+L502+N5050+D150
_MP-10FC	1	HTL Artımlı Enkoder Arayüz Kartı	FEN-31	ABB	ABB.FEN-31
_MP-20FC	1	ACS880-01-072A-3 Pcont.max:45kW, Icont.max:87A	ACS880-01-072A-3+D150+N5050+L502	ABB	ABB.ACS880-01-072A-3+D150+N5050+L502
_MP-20FC	1	HTL Artımlı Enkoder Arayüz Kartı	FEN-31	ABB	ABB.FEN-31
_MP-30FC	1	ACS880-01-145A-3+D150+N5050 PN:75kW, IN:145A	ACS880-01-145A-3+L502+N5050+D150	ABB	ABB.ACS880-01-145A-3+L502+N5050+D150
_MP-30FC	1	HTL Artımlı Enkoder Arayüz Kartı	FEN-31	ABB	ABB.FEN-31
_MP-50FC	1	ABB ACS880-01-061A-3 Pcont.max:30kW, Icont.max:61A	ACS880-01-061A-3	ABB	ABB.ACS880-01-061A-3
_MP-1FKR	1	Phase loss monitoring relay 1n/o, L1,2,3= 380-440VAC	CM-PFE	ABB	ABB.1SVR550824R9100
_MP-2GK	1	Power supply 240W, in: 1 phase 100-240VAC/90-350VDC, out: 24VDC/10A	S8VKC24024	OMR	OMR.S8VK-C24024
_MP-1H1	1	Compact Pilot Light Red LED 230V AC	CL2-523R	ABB	ABB.1SFA619403R5231
_MP-1H2	1	Compact Pilot Light Red LED 230V AC	CL2-523R	ABB	ABB.1SFA619403R5231
_MP-1H3	1	Compact Pilot Light Red LED 230V AC	CL2-523R	ABB	ABB.1SFA619403R5231
_MP-5H1	1		AN10.00430	ACK	ACK.AN10.00430
_MP-5H2	1	Lighting Armature (2x18W)	Lighting Armature (2x18W)	PELSAN	PELSAN.Floresan Lighting Armature (2x18W)
_MP-5H3	1	Lighting Armature (2x18W)	Lighting Armature (2x18W)	PELSAN	PELSAN.Floresan Lighting Armature (2x18W)
_MP-5H4	1	Lighting Armature (2x18W)	Lighting Armature (2x18W)	PELSAN	PELSAN.Floresan Lighting Armature (2x18W)
_MP-3KM1	1	AF09-40-00 100-250V50/60HZ-DC Contactor	AF09-40-00	ABB	ABB.1SBL137201R1300
_MP-4KM1	1	AF265-30-11 Contactor	AF265-30-11	ABB	ABB.1SFL547002R1311
_MP-4KM2	1	AF09-30-10 100-250V50/60HZ-DC Contactor	AF09-30-10	ABB	ABB.1SBL137001R1310
_MP-6KM1	1	AF09-30-10 100-250V50/60HZ-DC Contactor	AF09-30-10	ABB	ABB.1SBL137001R1310
_MP-12KM1	1	AF09-30-10 100-250V50/60HZ-DC Contactor	AF09-30-10	ABB	ABB.1SBL137001R1310
_MP-12KM1	1	CA4-10 Auxiliary Contact Block	CA4-10	ABB	ABB.1SBN010110R1010
_MP-12KM2	1	AF09-30-10 100-250V50/60HZ-DC Contactor	AF09-30-10	ABB	ABB.1SBL137001R1310
_MP-12KM2	1	CA4-10 Auxiliary Contact Block	CA4-10	ABB	ABB.1SBN010110R1010
_MP-22KM1	1	AF09-30-10 100-250V50/60HZ-DC Contactor	AF09-30-10	ABB	ABB.1SBL137001R1310

_MP-22KM1	1	CA4-10 Auxiliary Contact Block	CA4-10	ABB	ABB.1SBN010110R1010
_MP-22KM2	1	AF09-30-10 100-250V50/60HZ-DC Contactor	AF09-30-10	ABB	ABB.1SBL137001R1310
_MP-22KM2	1	CA4-10 Auxiliary Contact Block	CA4-10	ABB	ABB.1SBN010110R1010
_MP-32KM1	1	AF09-30-10 100-250V50/60HZ-DC Contactor	AF09-30-10	ABB	ABB.1SBL137001R1310
_MP-32KM1	1	CA4-10 Auxiliary Contact Block	CA4-10	ABB	ABB.1SBN010110R1010
_MP-32KM2	1	AF09-30-10 100-250V50/60HZ-DC Contactor	AF09-30-10	ABB	ABB.1SBL137001R1310
_MP-32KM2	1	CA4-10 Auxiliary Contact Block	CA4-10	ABB	ABB.1SBN010110R1010
_MP-32KM3	1	AF09-30-10 100-250V50/60HZ-DC Contactor	AF09-30-10	ABB	ABB.1SBL137001R1310
_MP-32KM3	1	CA4-10 Auxiliary Contact Block	CA4-10	ABB	ABB.1SBN010110R1010
_MP-32KM4	1	AF09-30-10 100-250V50/60HZ-DC Contactor	AF09-30-10	ABB	ABB.1SBL137001R1310
_MP-32KM4	1	CA4-10 Auxiliary Contact Block	CA4-10	ABB	ABB.1SBN010110R1010
_MP-52KM1	1	AF09-30-10 100-250V50/60HZ-DC Contactor	AF09-30-10	ABB	ABB.1SBL137001R1310
_MP-52KM1	2	CA4-10 Auxiliary Contact Block	CA4-10	ABB	ABB.1SBN010110R1010
_MP-LB	1		LB.2107.063	TEKPAN	LB.2107.063
_MP-5M1	1	58W 560 m3 /saat Tepe fanı	982.202	TEKPAN	TEK.982.202
_MP-5PRZ	1	M1175 Socket outlet	M1175	ABB	ABB.2CSM210000R0721
_MP-5PRZ2	1	Covered Grounded Socket 220/240 16A	40500505	METE	METE.40500505
_MP-1Q1	1	C.Breaker Formula A2N 250 Fixed Ple With Front Terminals and Thermomagnetic Release	A2N250 250-250A	ABB	ABB.1SDA066786R1
_MP-6Q1	1	Manual Motor Starter	MS116-2,5	ABB	ABB.1SAM250000R1007
_MP-6Q1	1	Manuel Motor Starter Auxiliary Contact	HKF1-11	ABB	ABB.1SAM201901R1001
_MP-6Q2	1	Manual Motor Starter	MS116-2,5	ABB	ABB.1SAM250000R1007
_MP-6Q2	1	Manuel Motor Starter Auxiliary Contact	HKF1-11	ABB	ABB.1SAM201901R1001
_MP-11Q1	1	Manual Motor Starter	MS116-1	ABB	ABB.1SAM250000R1005
_MP-11Q1	1	Manuel Motor Starter Auxiliary Contact	HKF1-11	ABB	ABB.1SAM201901R1001
_MP-11Q2	1	Manual Motor Starter	MS116-1	ABB	ABB.1SAM250000R1005
_MP-11Q2	1	Manuel Motor Starter Auxiliary Contact	HKF1-11	ABB	ABB.1SAM201901R1001
_MP-21Q1	1	Manual Motor Starter	MS116-1	ABB	ABB.1SAM250000R1005
_MP-21Q1	1	Manuel Motor Starter Auxiliary Contact	HKF1-11	ABB	ABB.1SAM201901R1001
_MP-21Q2	1	Manual Motor Starter	MS116-1	ABB	ABB.1SAM250000R1005
_MP-21Q2	1	Manuel Motor Starter Auxiliary Contact	HKF1-11	ABB	ABB.1SAM201901R1001
_MP-31Q1	1	Manual Motor Starter	MS116-1.6	ABB	ABB.1SAM250000R1006
_MP-31Q1	1	Manuel Motor Starter Auxiliary Contact	HKF1-11	ABB	ABB.1SAM201901R1001
_MP-31Q2	1	Manual Motor Starter	MS116-1	ABB	ABB.1SAM250000R1005
_MP-31Q2	1	Manuel Motor Starter Auxiliary Contact	HKF1-11	ABB	ABB.1SAM201901R1001
_MP-31Q3	1	Manual Motor Starter	MS116-1	ABB	ABB.1SAM250000R1005
_MP-31Q3	1	Manuel Motor Starter Auxiliary Contact	HKF1-11	ABB	ABB.1SAM201901R1001
_MP-50Q1	1	Manual Motor Starter	MS116-25	ABB	ABB.1SAM250000R1014
_MP-50Q1	1	Manuel Motor Starter Auxiliary Contact	HKF1-11	ABB	ABB.1SAM201901R1001
_MP-50Q2	1	Manual Motor Starter	MS116-25	ABB	ABB.1SAM250000R1014
_MP-50Q2	1	Manuel Motor Starter Auxiliary Contact	HKF1-11	ABB	ABB.1SAM201901R1001
_MP-51Q1	1	Manual Motor Starter	MS116-1	ABB	ABB.1SAM250000R1005
_MP-51Q1	1	Manuel Motor Starter Auxiliary Contact	HKF1-11	ABB	ABB.1SAM201901R1001
_MP-51Q2	1	Manual Motor Starter	MS116-1	ABB	ABB.1SAM250000R1005
_MP-51Q2	1	Manuel Motor Starter Auxiliary Contact	HKF1-11	ABB	ABB.1SAM201901R1001
_MP-10R	1	75kW 5 Ohm Braking Resistor	BRG-D06a.75k0.0005	AKTIF	AKTIF.BRG-D06a.75k0.0005
_MP-13R1	1	CR-M230AC3 Pluggable interface relay 3c/o, A1-A2=230VAC, 250V/10A	CR-M230AC3	ABB	ABB.1SVR405612R3000
_MP-13R1	1	CR-M3SS Standard socket for 3c/o CR-M relay	CR-M3SS	ABB	ABB.1SVR405651R2000
_MP-13R2	1	CR-M230AC3 Pluggable interface relay 3c/o, A1-A2=230VAC, 250V/10A	CR-M230AC3	ABB	ABB.1SVR405612R3000
_MP-13R2	1	CR-M3SS Standard socket for 3c/o CR-M relay	CR-M3SS	ABB	ABB.1SVR405651R2000
_MP-16R1	1	CR-M230AC3 Pluggable interface relay 3c/o, A1-A2=230VAC, 250V/10A	CR-M230AC3	ABB	ABB.1SVR405612R3000
_MP-16R1	1	CR-M3SS Standard socket for 3c/o CR-M relay	CR-M3SS	ABB	ABB.1SVR405651R2000
_MP-16R2	1	CR-M230AC3 Pluggable interface relay 3c/o, A1-A2=230VAC, 250V/10A	CR-M230AC3	ABB	ABB.1SVR405612R3000
_MP-16R2	1	CR-M3SS Standard socket for 3c/o CR-M relay	CR-M3SS	ABB	ABB.1SVR405651R2000
_MP-16R3	1	CR-M230AC3 Pluggable interface relay 3c/o, A1-A2=230VAC, 250V/10A	CR-M230AC3	ABB	ABB.1SVR405612R3000
_MP-16R3	1	CR-M3SS Standard socket for 3c/o CR-M relay	CR-M3SS	ABB	ABB.1SVR405651R2000
_MP-16R4	1	CR-M230AC3 Pluggable interface relay 3c/o, A1-A2=230VAC, 250V/10A	CR-M230AC3	ABB	ABB.1SVR405612R3000

_MP-68R7	1	CR-S024VADC1CRS Interface relay cpl. 1c/o, A1-A2=24VAC/DC, Output=6A/250VAC	CR-S024VADC1CRS	ABB	ABB.1SVR405541R3110
_MP-68R8	1	CR-S024VADC1CRS Interface relay cpl. 1c/o, A1-A2=24VAC/DC, Output=6A/250VAC	CR-S024VADC1CRS	ABB	ABB.1SVR405541R3110
_MP-4S1	1	Compact Emergency Stop - Twist release - Mushroom 40mm - Red - Non-illuminated	EBE-K-108101-1NC	ABB	ABB.1SFA619550R104
_MP-5S1	1	Bimetalik Fan Termostatı	983.011	TEKPAN	983.011
_MP-5S2	1	Door Switch	BS1011	EMAS	EMAS.EMAS BS1011
_MP-5S4	1	16A Sıva Üstü Anahtar	40500105	METE	METE.40500105
_MP-5S5	1	Sıva Üstü Nemliyer Anahtar	40500305	METE	METE.40500305
_MP-16S1	1	Hoisting Limit Switch / 1:100 ratio / 4 Contact	FGR101004	GIOVENZENNA	GIOVENZENNA.FGR101004
_MP-26S1	1	Hoisting Limit Switch / 1:100 ratio / 4 Contact	FGR101004	GIOVENZENNA	GIOVENZENNA.FGR101004
_MP-36S1	1	Hoisting Limit Switch / 1:100 ratio / 4 Contact	FGR101004	GIOVENZENNA	GIOVENZENNA.FGR101004
_MP-37S1	1	Endüktif sensör XS8 40x40x117 - PBT - Sn20 mm - 24..240VAC/DC	XS8C4A1MPG13	SE	SE.XS8C4A1MPG13
_MP-37S2	1	Endüktif sensör XS8 40x40x117 - PBT - Sn20 mm - 24..240VAC/DC	XS8C4A1MPG13	SE	SE.XS8C4A1MPG13
_MP-37S3	1	Endüktif sensör XS8 40x40x117 - PBT - Sn20 mm - 24..240VAC/DC	XS8C4A1MPG13	SE	SE.XS8C4A1MPG13
_MP-37S4	1	Endüktif sensör XS8 40x40x117 - PBT - Sn20 mm - 24..240VAC/DC	XS8C4A1MPG13	SE	SE.XS8C4A1MPG13
_MP-4SR	1	Safety Relay, 3 Safety Contacts, 1 Auxiliary Contact, Dual Channel, 24 V ac/dc	PNOZ X2.8P	PILZ	PILZ.777301
_MP-2T1	1	Transformer 400/230V 1 kVA	Transformer 400/230V 2 kVA	ERA	ERA.GTT-1P2000-P/S
_MP-2T2	1	Transformer 400/230V 1 kVA	Transformer 400/230V 7,5 kVA	ERA	ERA.GTT-1P7500-P/S-KT
_MP-15TRM	1	Thermistor motor protection relay 1n/o, 220-240VAC	CM-MSE	ABB	ABB.1SVR550801R9300
_MP-25TRM	1	Thermistor motor protection relay 1n/o, 220-240VAC	CM-MSE	ABB	ABB.1SVR550801R9300
_MP-35TRM	1	Thermistor motor protection relay 1n/o, 220-240VAC	CM-MSE	ABB	ABB.1SVR550801R9300
_MP-3ZS	1	Otomat Tip Zaman Saati At1e-R 24s 100s	AT1e-R	ABB	ABB.2CSM231215R0601
_MP-5ZS	1	Otomat Tip Zaman Saati At1e-R 24s 100s	AT1e-R	ABB	ABB.2CSM231215R0601
SolAcil stop-YürüyüşArka-6S4	1	M Serisi Metal 1li CP200E40 Sarı-Gri Kumanda Kutusu	M1C200E40	ABB	EMAS.M1C200E40
SolAcil stop-YürüyüşÖn-6S2	1	M Serisi Metal 1li CP200E40 Sarı-Gri Kumanda Kutusu	M1C200E40	ABB	EMAS.M1C200E40
SağAcil stop-YürüyüşArka-6S5	1	M Serisi Metal 1li CP200E40 Sarı-Gri Kumanda Kutusu	M1C200E40	ABB	EMAS.M1C200E40
SağAcil stop-YürüyüşÖn-6S3	1	M Serisi Metal 1li CP200E40 Sarı-Gri Kumanda Kutusu	M1C200E40	ABB	EMAS.M1C200E40
OPK Panosu-1F1	1	Miniature Circuit Breaker - S200 - 2P - C - 25 A	S202-C25	ABB	ABB.2CDS252001R0254
OPK Panosu-1F2	1	Miniature Circuit Breaker - S200 - 2P - C - 16 A	S202-C16	ABB	ABB.2CDS252001R0164
OPK Panosu-1F3	1	Miniature Circuit Breaker - S200 - 2P - C - 4 A	S202-C4	ABB	ABB.2CDS252001R0044
OPK Panosu-4F1	1	Miniature Circuit Breaker - S200 - 2P - C - 2A	S202-C2	ABB	ABB.2CDS252001R0024
OPK Panosu-3LC	1				LOADCELL-TRANSMITTER-ESIT-TR-3
OPK Panosu-4LC	1				LOADCELL-TRANSMITTER-ESIT-TR-3
OPK Panosu-3R1	1	CR-M024DC3 Pluggable interface relay 3c/o, A1-A2=24VDC, 250V/10A	CR-M024DC3	ABB	ABB.1SVR405612R1000
OPK Panosu-3R1	1	CR-M3SS Standard socket for 3c/o CR-M relay	CR-M3SS	ABB	ABB.1SVR405651R2000
OPK Panosu-4R1	1	CR-M024DC3 Pluggable interface relay 3c/o, A1-A2=24VDC, 250V/10A	CR-M024DC3	ABB	ABB.1SVR405612R1000
OPK Panosu-4R1	1	CR-M3SS Standard socket for 3c/o CR-M relay	CR-M3SS	ABB	ABB.1SVR405651R2000
OPK Panosu-2S2	1	Metal Foot Pedel (250VAC 15A) (2 mt wire)	CNTD CFS-2	SOLMAZSAN	SOLMAZ.CNTD CFS-2
OPK Panosu-2S3	1		690-Motorlu Siren	MESAN	MESAN.690-Motorlu Siren
OPK Panosu-1X2	2	Fuse modular terminal block	ST 4-HESILED 24 (5X20)	PXC	PXC.3036547
HMI Panosu-1A1	1	SIMATIC HMI, KTP1200 Basic, Basic Panel, Key/touch operation, 12"	6AV2123-2MB03-0AX0	SIE	SIE.6AV2123-2MB03-0AX0
HMI Panosu-2X1	2		PT 4	PXC	PXC.3211757
Sol Joystick Panosu-6S1	1		MP1-10Y	ABB	ABB.1SFA611100R1003
Sol Joystick Panosu-6S1	1	Modular holder	MCBH-00	ABB	ABB.1SFA611605R1100
Sol Joystick Panosu-6S1	1	Modular micro switch block	MCBL-10	ABB	ABB.1SFA611612R1010
Sol Joystick Panosu-6S2	1		MP1-10Y	ABB	ABB.1SFA611100R1003
Sol Joystick Panosu-6S2	1	Modular holder	MCBH-00	ABB	ABB.1SFA611605R1100
Sol Joystick Panosu-6S2	1	Modular micro switch block	MCBL-10	ABB	ABB.1SFA611612R1010
Sol Joystick Panosu-6S3	1		M3SS1-10B	ABB	ABB.1SFA611210R1006
Sol Joystick Panosu-6S3	1	Modular holder	MCBH-00	ABB	ABB.1SFA611605R1100
Sol Joystick Panosu-6S3	1	Modular micro switch block	MCBL-01	ABB	ABB.1SFA611612R1001
Sağ Joystick Panosu-8F1	1	Miniature Circuit Breaker - S200 - 2P - C - 2A	S202-C2	ABB	ABB.2CDS252001R0024
Sağ Joystick Panosu-8F2	1	Miniature Circuit Breaker - S200 - 2P - C - 2A	S202-C2	ABB	ABB.2CDS252001R0024
Sağ Joystick Panosu-8GK	1	Book type power supply, Pro, 30 W, 12 VDC, 2.5A, DIN rail mounting	S8VK-G03012	OMR	OMR.S8VK-G03012
Sağ Joystick Panosu-8S2	1		MP1-11L	ABB	ABB.1SFA611100R1104
Sağ Joystick Panosu-8S2	1	Modular holder	MCBH-00	ABB	ABB.1SFA611605R1100
Sağ Joystick Panosu-8S2	1	Modular micro switch block	MCBL-10	ABB	ABB.1SFA611612R1010

Saç Joystik Panosu-8S2	1		MLBL-01L	ABB	ABB.1SFA611621R1014
Saç Joystik Panosu-8S3	1	Compact Pushbutton - Momentary - Flush - Red - Illuminated - Black plastic - 1NC	CP1-11R-01	ABB	ABB.1SFA619100R1141
Saç Joystik Panosu-8S4	1	Compact Pushbutton - Momentary - Flush - Green - Illuminated - Black plastic - 1NO	CP1-11G-10	ABB	ABB.1SFA619100R1112
Saç Joystik Panosu-8S5	1	Modular holder	MCBH-00	ABB	ABB.1SFA611605R1100
Saç Joystik Panosu-8S5	1	Modular micro switch block	MCBL-10	ABB	ABB.1SFA611612R1010
Saç Joystik Panosu-8S5	1				ABB.1SFA611100R1004
Saç Joystik Panosu-8X2	2		PT 4	PXC	PXC.3211757
Yürütme Panosu-1F1	1	Miniature Circuit Breaker - S200 - 1P - C - 2 A	S 201-C2	ABB	ABB.2CDS251001R0024
Yürütme Panosu-1F2	1	Miniature Circuit Breaker - S200 - 1P - C - 2 A	S 201-C2	ABB	ABB.2CDS251001R0024
Yürütme Panosu-1F3	1	Miniature Circuit Breaker - S200 - 1P - C - 2 A	S 201-C2	ABB	ABB.2CDS251001R0024
Yürütme Panosu-1F4	1	Miniature Circuit Breaker - S200 - 2P - C - 10 A	S202-C10	ABB	ABB.2CDS252001R0104
Yürütme Panosu-1F5	1	Miniature Circuit Breaker - S200 - 2P - C - 2A	S202-C2	ABB	ABB.2CDS252001R0024
Yürütme Panosu-1F6	1	Miniature Circuit Breaker - S200 - 2P - C - 2A	S202-C2	ABB	ABB.2CDS252001R0024
Yürütme Panosu-2F1	1	Miniature Circuit Breaker - S200 - 2P - C - 2A	S202-C2	ABB	ABB.2CDS252001R0024
Yürütme Panosu-2F2	1	Miniature Circuit Breaker - S200 - 2P - C - 6 A	S202-C6	ABB	ABB.2CDS252001R0064
Yürütme Panosu-3F1	1	Miniature Circuit Breaker - S200 - 1P - C - 2 A	S 201-C2	ABB	ABB.2CDS251001R0024
Yürütme Panosu-3F2	1	Miniature Circuit Breaker - S200 - 1P - C - 2 A	S 201-C2	ABB	ABB.2CDS251001R0024
Yürütme Panosu-3F3	1	Miniature Circuit Breaker - S200 - 1P - C - 2 A	S 201-C2	ABB	ABB.2CDS251001R0024
Yürütme Panosu-5F1	1	Miniature Circuit Breaker - S200 - 2P - C - 4 A	S202-C4	ABB	ABB.2CDS252001R0044
Yürütme Panosu-7F	1	XLP 000-6CC - NH Fuse Holder	XLP 000-6CC	ABB	ABB.1SEP201428R0002
Yürütme Panosu-7F	1	63A NH000 Quick Type Blade Fuse	L320055	MERSEN	MER.L320055
Yürütme Panosu-40F	1	XLP00-6BC - NH Fuse Holder	XLP00-6BC	ABB	ABB.1SEP101890R0002
Yürütme Panosu-40F	3	250A NH000 Quick Type Blade fuse	H320075	MERSEN	MER.H320075
Yürütme Panosu-41F	1	XLP00-6BC - NH Fuse Holder	XLP00-6BC	ABB	ABB.1SEP101890R0002
Yürütme Panosu-41F	3	250A NH000 Quick Type Blade fuse	H320075	MERSEN	MER.H320075
Yürütme Panosu-49F1	1	Miniature Circuit Breaker - S200 - 3P - C - 6 A	S203-C6	ABB	ABB.2CDS253001R0064
Yürütme Panosu-7FC	1	ABB ACS880-01-032A-3 Pcont.max:15kW, Icont.max:32A	ACS880-01-032A-3	ABB	ABB.ACS880-01-032A-3
Yürütme Panosu-40FC	1	ACS880-01-145A-3+D150 PN:75kW, IN:145A	ACS880-01-145A-3+D150	ABB	ABB.ACS880-01-145A-3+D150
Yürütme Panosu-41FC	1	ACS880-01-145A-3+D150 PN:75kW, IN:145A	ACS880-01-145A-3+D150	ABB	ABB.ACS880-01-145A-3+D150
Yürütme Panosu-1GK	1	Power supply 120W, in: 1 phase 100-240VAC/90-350VDC, out: 24VDC/5A	S8VKC12024	OMR	OMR.S8VK-C12024
Yürütme Panosu-1H1	1	Compact Pilot Light Red LED 230V AC	CL2-523R	ABB	ABB.1SFA619403R5231
Yürütme Panosu-1H2	1	Compact Pilot Light Red LED 230V AC	CL2-523R	ABB	ABB.1SFA619403R5231
Yürütme Panosu-1H3	1	Compact Pilot Light Red LED 230V AC	CL2-523R	ABB	ABB.1SFA619403R5231
Yürütme Panosu-3H1	1		AN10.00430	ACK	ACK.AN10.00430
Yürütme Panosu-4H1	1		IL-XHD-22BK	ILX	ILX.IL-XHD-22BK
Yürütme Panosu-4H2	1		IL-XHD-22BK	ILX	ILX.IL-XHD-22BK
Yürütme Panosu-5H1	1		NGR NPS1 32100	NITRA	NITRA.NGR NPS1 32100
Yürütme Panosu-5H2	1		NGR NPS1 32100	NITRA	NITRA.NGR NPS1 32100
Yürütme Panosu-5H3	1		NGR NPS1 32100	NITRA	NITRA.NGR NPS1 32100
Yürütme Panosu-5H4	1		NGR NPS1 32100	NITRA	NITRA.NGR NPS1 32100
Yürütme Panosu-5H5	1		NGR NPS1 32100	NITRA	NITRA.NGR NPS1 32100
Yürütme Panosu-1KM1	1	AF265-30-11 Contactor	AF265-30-11	ABB	ABB.1SFL547002R1311
Yürütme Panosu-9KM1	1	AF09-30-10 100-250V50/60HZ-DC Contactor	AF09-30-10	ABB	ABB.1SBL137001R1310
Yürütme Panosu-10KM1	1	AF09-30-10 100-250V50/60HZ-DC Contactor	AF09-30-10	ABB	ABB.1SBL137001R1310
Yürütme Panosu-44KM1	1	AF09-30-10 100-250V50/60HZ-DC Contactor	AF09-30-10	ABB	ABB.1SBL137001R1310
Yürütme Panosu-44KM1	3	CA4-10 Auxiliary Contact Block	CA4-10	ABB	ABB.1SBN010110R1010
Yürütme Panosu-45KM1	1	AF09-30-10 100-250V50/60HZ-DC Contactor	AF09-30-10	ABB	ABB.1SBL137001R1310
Yürütme Panosu-45KM1	3	CA4-10 Auxiliary Contact Block	CA4-10	ABB	ABB.1SBN010110R1010
Yürütme Panosu-49KM1	1	AF09-30-10 100-250V50/60HZ-DC Contactor	AF09-30-10	ABB	ABB.1SBL137001R1310
Yürütme Panosu-3M1	1	45 W 160m3/saat EBM Papst Fanlı Filtre (250 x 250)	983.141	TEKPAN	TEK.983.141
Yürütme Panosu-3PRZ	1	M1175 Socket outlet	M1175	ABB	ABB.2CSM210000R0721
Yürütme Panosu-Q02	1	C.Breaker Formula A2N 250 Fixed Ple With Front Terminals and Thermomagnetic Release	A2N250-250-250A	ABB	ABB.1SDA066786R1
Yürütme Panosu-8Q1	1	Manual Motor Starter	MS116-1	ABB	ABB.1SAM250000R1005
Yürütme Panosu-8Q1	1	Manuel Motor Starter Auxiliary Contact	HKF1-11	ABB	ABB.1SAM201901R1001
Yürütme Panosu-10Q1	1	Manual Motor Starter	MS116-2,5	ABB	ABB.1SAM250000R1007
Yürütme Panosu-10Q1	1	Manuel Motor Starter Auxiliary Contact	HKF1-11	ABB	ABB.1SAM201901R1001

Yürütme Panosu-40Q1	1	Manual Motor Starter	MS116-32	ABB	ABB.1SAM250000R1015
Yürütme Panosu-40Q1	1	Manuel Motor Starter Auxiliary Contact	HKF1-11	ABB	ABB.1SAM201901R1001
Yürütme Panosu-40Q2	1	Manual Motor Starter	MS116-32	ABB	ABB.1SAM250000R1015
Yürütme Panosu-40Q2	1	Manuel Motor Starter Auxiliary Contact	HKF1-11	ABB	ABB.1SAM201901R1001
Yürütme Panosu-40Q3	1	Manual Motor Starter	MS116-32	ABB	ABB.1SAM250000R1015
Yürütme Panosu-40Q3	1	Manuel Motor Starter Auxiliary Contact	HKF1-11	ABB	ABB.1SAM201901R1001
Yürütme Panosu-40Q4	1	Manual Motor Starter	MS116-32	ABB	ABB.1SAM250000R1015
Yürütme Panosu-40Q4	1	Manuel Motor Starter Auxiliary Contact	HKF1-11	ABB	ABB.1SAM201901R1001
Yürütme Panosu-41Q1	1	Manual Motor Starter	MS116-32	ABB	ABB.1SAM250000R1015
Yürütme Panosu-41Q1	1	Manuel Motor Starter Auxiliary Contact	HKF1-11	ABB	ABB.1SAM201901R1001
Yürütme Panosu-41Q2	1	Manual Motor Starter	MS116-32	ABB	ABB.1SAM250000R1015
Yürütme Panosu-41Q2	1	Manuel Motor Starter Auxiliary Contact	HKF1-11	ABB	ABB.1SAM201901R1001
Yürütme Panosu-41Q3	1	Manual Motor Starter	MS116-32	ABB	ABB.1SAM250000R1015
Yürütme Panosu-41Q3	1	Manuel Motor Starter Auxiliary Contact	HKF1-11	ABB	ABB.1SAM201901R1001
Yürütme Panosu-41Q4	1	Manual Motor Starter	MS116-32	ABB	ABB.1SAM250000R1015
Yürütme Panosu-41Q4	1	Manuel Motor Starter Auxiliary Contact	HKF1-11	ABB	ABB.1SAM201901R1001
Yürütme Panosu-42Q1	1	Manual Motor Starter	MS116-4	ABB	ABB.1SAM250000R1008
Yürütme Panosu-42Q1	1	Manuel Motor Starter Auxiliary Contact	HKF1-11	ABB	ABB.1SAM201901R1001
Yürütme Panosu-42Q2	1	Manual Motor Starter	MS116-1	ABB	ABB.1SAM250000R1005
Yürütme Panosu-42Q2	1	Manuel Motor Starter Auxiliary Contact	HKF1-11	ABB	ABB.1SAM201901R1001
Yürütme Panosu-42Q3	1	Manual Motor Starter	MS116-1	ABB	ABB.1SAM250000R1005
Yürütme Panosu-42Q3	1	Manuel Motor Starter Auxiliary Contact	HKF1-11	ABB	ABB.1SAM201901R1001
Yürütme Panosu-42Q4	1	Manual Motor Starter	MS116-1	ABB	ABB.1SAM250000R1005
Yürütme Panosu-42Q4	1	Manuel Motor Starter Auxiliary Contact	HKF1-11	ABB	ABB.1SAM201901R1001
Yürütme Panosu-42Q5	1	Manual Motor Starter	MS116-1	ABB	ABB.1SAM250000R1005
Yürütme Panosu-42Q5	1	Manuel Motor Starter Auxiliary Contact	HKF1-11	ABB	ABB.1SAM201901R1001
Yürütme Panosu-43Q1	1	Manual Motor Starter	MS116-4	ABB	ABB.1SAM250000R1008
Yürütme Panosu-43Q1	1	Manuel Motor Starter Auxiliary Contact	HKF1-11	ABB	ABB.1SAM201901R1001
Yürütme Panosu-43Q2	1	Manual Motor Starter	MS116-1	ABB	ABB.1SAM250000R1005
Yürütme Panosu-43Q2	1	Manuel Motor Starter Auxiliary Contact	HKF1-11	ABB	ABB.1SAM201901R1001
Yürütme Panosu-43Q3	1	Manual Motor Starter	MS116-1	ABB	ABB.1SAM250000R1005
Yürütme Panosu-43Q3	1	Manuel Motor Starter Auxiliary Contact	HKF1-11	ABB	ABB.1SAM201901R1001
Yürütme Panosu-43Q4	1	Manual Motor Starter	MS116-1	ABB	ABB.1SAM250000R1005
Yürütme Panosu-43Q4	1	Manuel Motor Starter Auxiliary Contact	HKF1-11	ABB	ABB.1SAM201901R1001
Yürütme Panosu-43Q5	1	Manual Motor Starter	MS116-1	ABB	ABB.1SAM250000R1005
Yürütme Panosu-43Q5	1	Manuel Motor Starter Auxiliary Contact	HKF1-11	ABB	ABB.1SAM201901R1001
Yürütme Panosu-49Q1	1	Manual Motor Starter	MS116-1.6	ABB	ABB.1SAM250000R1006
Yürütme Panosu-49Q1	1	Manuel Motor Starter Auxiliary Contact	HKF1-11	ABB	ABB.1SAM201901R1001
Yürütme Panosu-49Q2	1	Manual Motor Starter	MS116-1.6	ABB	ABB.1SAM250000R1006
Yürütme Panosu-49Q2	1	Manuel Motor Starter Auxiliary Contact	HKF1-11	ABB	ABB.1SAM201901R1001
Yürütme Panosu-5R1	1	E290-16-10/230 Electromechanical latching relay	E290-16-10/230	ABB	ABB.2TAZ312000R2011
Yürütme Panosu-7R	1				6kW 22Ω
Yürütme Panosu-9R1	1	CR-M230AC3 Pluggable interface relay 3c/o, A1-A2=230VAC, 250V/10A	CR-M230AC3	ABB	ABB.1SVR405612R3000
Yürütme Panosu-9R1	1	CR-M3SS Standard socket for 3c/o CR-M relay	CR-M3SS	ABB	ABB.1SVR405651R2000
Yürütme Panosu-40R	1				30kW 6Ω
Yürütme Panosu-41R	1				30kW 6Ω
Yürütme Panosu-44R1	1	CR-M024DC3 Pluggable interface relay 3c/o, A1-A2=24VDC, 250V/10A	CR-M024DC3	ABB	ABB.1SVR405612R1000
Yürütme Panosu-44R1	1	CR-M3SS Standard socket for 3c/o CR-M relay	CR-M3SS	ABB	ABB.1SVR405651R2000
Yürütme Panosu-44R2	1	CR-M024DC3 Pluggable interface relay 3c/o, A1-A2=24VDC, 250V/10A	CR-M024DC3	ABB	ABB.1SVR405612R1000
Yürütme Panosu-44R2	1	CR-M3SS Standard socket for 3c/o CR-M relay	CR-M3SS	ABB	ABB.1SVR405651R2000
Yürütme Panosu-46R1	1	CR-M230AC3 Pluggable interface relay 3c/o, A1-A2=230VAC, 250V/10A	CR-M230AC3	ABB	ABB.1SVR405612R3000
Yürütme Panosu-46R1	1	CR-M3SS Standard socket for 3c/o CR-M relay	CR-M3SS	ABB	ABB.1SVR405651R2000
Yürütme Panosu-46R2	1	CR-M230AC3 Pluggable interface relay 3c/o, A1-A2=230VAC, 250V/10A	CR-M230AC3	ABB	ABB.1SVR405612R3000
Yürütme Panosu-46R2	1	CR-M3SS Standard socket for 3c/o CR-M relay	CR-M3SS	ABB	ABB.1SVR405651R2000
Yürütme Panosu-46R3	1	CR-M230AC3 Pluggable interface relay 3c/o, A1-A2=230VAC, 250V/10A	CR-M230AC3	ABB	ABB.1SVR405612R3000
Yürütme Panosu-46R3	1	CR-M3SS Standard socket for 3c/o CR-M relay	CR-M3SS	ABB	ABB.1SVR405651R2000

Yürütme Panosu-46R4	1	CR-M230AC3 Pluggable interface relay 3c/o, A1-A2=230VAC, 250V/10A	CR-M230AC3	ABB	ABB.1SVR405612R3000
Yürütme Panosu-46R4	1	CR-M3SS Standard socket for 3c/o CR-M relay	CR-M3SS	ABB	ABB.1SVR405651R2000
Yürütme Panosu-46R5	1	CR-M024DC3 Pluggable interface relay 3c/o, A1-A2=24VDC, 250V/10A	CR-M024DC3	ABB	ABB.1SVR405612R1000
Yürütme Panosu-46R5	1	CR-M3SS Standard socket for 3c/o CR-M relay	CR-M3SS	ABB	ABB.1SVR405651R2000
Yürütme Panosu-46R6	1	CR-M024DC3 Pluggable interface relay 3c/o, A1-A2=24VDC, 250V/10A	CR-M024DC3	ABB	ABB.1SVR405612R1000
Yürütme Panosu-46R6	1	CR-M3SS Standard socket for 3c/o CR-M relay	CR-M3SS	ABB	ABB.1SVR405651R2000
Yürütme Panosu-46R7	1	CR-M024DC3 Pluggable interface relay 3c/o, A1-A2=24VDC, 250V/10A	CR-M024DC3	ABB	ABB.1SVR405612R1000
Yürütme Panosu-46R7	1	CR-M3SS Standard socket for 3c/o CR-M relay	CR-M3SS	ABB	ABB.1SVR405651R2000
Yürütme Panosu-46R8	1	CR-M024DC3 Pluggable interface relay 3c/o, A1-A2=24VDC, 250V/10A	CR-M024DC3	ABB	ABB.1SVR405612R1000
Yürütme Panosu-46R8	1	CR-M3SS Standard socket for 3c/o CR-M relay	CR-M3SS	ABB	ABB.1SVR405651R2000
Yürütme Panosu-47R1	1	CR-M230AC3 Pluggable interface relay 3c/o, A1-A2=230VAC, 250V/10A	CR-M230AC3	ABB	ABB.1SVR405612R3000
Yürütme Panosu-47R1	1	CR-M3SS Standard socket for 3c/o CR-M relay	CR-M3SS	ABB	ABB.1SVR405651R2000
Yürütme Panosu-47R2	1	CR-M230AC3 Pluggable interface relay 3c/o, A1-A2=230VAC, 250V/10A	CR-M230AC3	ABB	ABB.1SVR405612R3000
Yürütme Panosu-47R2	1	CR-M3SS Standard socket for 3c/o CR-M relay	CR-M3SS	ABB	ABB.1SVR405651R2000
Yürütme Panosu-47R3	1	CR-M024DC3 Pluggable interface relay 3c/o, A1-A2=24VDC, 250V/10A	CR-M024DC3	ABB	ABB.1SVR405612R1000
Yürütme Panosu-47R3	1	CR-M3SS Standard socket for 3c/o CR-M relay	CR-M3SS	ABB	ABB.1SVR405651R2000
Yürütme Panosu-47R4	1	CR-M024DC3 Pluggable interface relay 3c/o, A1-A2=24VDC, 250V/10A	CR-M024DC3	ABB	ABB.1SVR405612R1000
Yürütme Panosu-47R4	1	CR-M3SS Standard socket for 3c/o CR-M relay	CR-M3SS	ABB	ABB.1SVR405651R2000
Yürütme Panosu-48R1	1	CR-M230AC3 Pluggable interface relay 3c/o, A1-A2=230VAC, 250V/10A	CR-M230AC3	ABB	ABB.1SVR405612R3000
Yürütme Panosu-48R1	1	CR-M3SS Standard socket for 3c/o CR-M relay	CR-M3SS	ABB	ABB.1SVR405651R2000
Yürütme Panosu-48R2	1	CR-M230AC3 Pluggable interface relay 3c/o, A1-A2=230VAC, 250V/10A	CR-M230AC3	ABB	ABB.1SVR405612R3000
Yürütme Panosu-48R2	1	CR-M3SS Standard socket for 3c/o CR-M relay	CR-M3SS	ABB	ABB.1SVR405651R2000
Yürütme Panosu-48R3	1	CR-M230AC3 Pluggable interface relay 3c/o, A1-A2=230VAC, 250V/10A	CR-M230AC3	ABB	ABB.1SVR405612R3000
Yürütme Panosu-48R3	1	CR-M3SS Standard socket for 3c/o CR-M relay	CR-M3SS	ABB	ABB.1SVR405651R2000
Yürütme Panosu-48R4	1	CR-M230AC3 Pluggable interface relay 3c/o, A1-A2=230VAC, 250V/10A	CR-M230AC3	ABB	ABB.1SVR405612R3000
Yürütme Panosu-48R4	1	CR-M3SS Standard socket for 3c/o CR-M relay	CR-M3SS	ABB	ABB.1SVR405651R2000
Yürütme Panosu-48R5	1	CR-M230AC3 Pluggable interface relay 3c/o, A1-A2=230VAC, 250V/10A	CR-M230AC3	ABB	ABB.1SVR405612R3000
Yürütme Panosu-48R5	1	CR-M3SS Standard socket for 3c/o CR-M relay	CR-M3SS	ABB	ABB.1SVR405651R2000
Yürütme Panosu-50R1	1	CR-M024DC3 Pluggable interface relay 3c/o, A1-A2=24VDC, 250V/10A	CR-M024DC3	ABB	ABB.1SVR405612R1000
Yürütme Panosu-50R1	1	CR-M3SS Standard socket for 3c/o CR-M relay	CR-M3SS	ABB	ABB.1SVR405651R2000
Yürütme Panosu-50R2	1	CR-M024DC3 Pluggable interface relay 3c/o, A1-A2=24VDC, 250V/10A	CR-M024DC3	ABB	ABB.1SVR405612R1000
Yürütme Panosu-50R2	1	CR-M3SS Standard socket for 3c/o CR-M relay	CR-M3SS	ABB	ABB.1SVR405651R2000
Yürütme Panosu-50R3	1	CR-M024DC3 Pluggable interface relay 3c/o, A1-A2=24VDC, 250V/10A	CR-M024DC3	ABB	ABB.1SVR405612R1000
Yürütme Panosu-50R3	1	CR-M3SS Standard socket for 3c/o CR-M relay	CR-M3SS	ABB	ABB.1SVR405651R2000
Yürütme Panosu-50R4	1	CR-M024DC3 Pluggable interface relay 3c/o, A1-A2=24VDC, 250V/10A	CR-M024DC3	ABB	ABB.1SVR405612R1000
Yürütme Panosu-50R4	1	CR-M3SS Standard socket for 3c/o CR-M relay	CR-M3SS	ABB	ABB.1SVR405651R2000
Yürütme Panosu-66R1	1	CR-S024VADC1CRS Interface relay cpl. 1c/o, A1-A2=24VAC/DC, Output=6A/250VAC	CR-S024VADC1CRS	ABB	ABB.1SVR405541R3110
Yürütme Panosu-66R2	1	CR-S024VADC1CRS Interface relay cpl. 1c/o, A1-A2=24VAC/DC, Output=6A/250VAC	CR-S024VADC1CRS	ABB	ABB.1SVR405541R3110
Yürütme Panosu-66R3	1	CR-S024VADC1CRS Interface relay cpl. 1c/o, A1-A2=24VAC/DC, Output=6A/250VAC	CR-S024VADC1CRS	ABB	ABB.1SVR405541R3110
Yürütme Panosu-66R4	1	CR-S024VADC1CRS Interface relay cpl. 1c/o, A1-A2=24VAC/DC, Output=6A/250VAC	CR-S024VADC1CRS	ABB	ABB.1SVR405541R3110
Yürütme Panosu-66R5	1	CR-S024VADC1CRS Interface relay cpl. 1c/o, A1-A2=24VAC/DC, Output=6A/250VAC	CR-S024VADC1CRS	ABB	ABB.1SVR405541R3110
Yürütme Panosu-66R6	1	CR-S024VADC1CRS Interface relay cpl. 1c/o, A1-A2=24VAC/DC, Output=6A/250VAC	CR-S024VADC1CRS	ABB	ABB.1SVR405541R3110
Yürütme Panosu-66R7	1	CR-S024VADC1CRS Interface relay cpl. 1c/o, A1-A2=24VAC/DC, Output=6A/250VAC	CR-S024VADC1CRS	ABB	ABB.1SVR405541R3110
Yürütme Panosu-66R8	1	CR-S024VADC1CRS Interface relay cpl. 1c/o, A1-A2=24VAC/DC, Output=6A/250VAC	CR-S024VADC1CRS	ABB	ABB.1SVR405541R3110
Yürütme Panosu-3S1	1	Bimetalik Fan Termostatı	983.011	TEKPAN	983.011
Yürütme Panosu-3S2	1	Door Switch	BS1011	EMAS	EMAS.EMAS BS1011
Yürütme Panosu-5S1	1	Sıva Üstü Nemliyer Anahtar	40500305	METE	METE.40500305
Yürütme Panosu-6S1	1	Compact Emergency Stop - Twist release - Mushroom 40mm - Red - Non-illuminated - Black - 10001	EMER-10001-1NC	ABB	ABB.1SFA619550R104
Yürütme Panosu-46S1	1	Hoisting Limit Switch / 1:50 ratio / 4 Contact	FGR100504	GIOVENZENNA	GIOVENZENNA.FGR100504
Yürütme Panosu-46S2	1	Fotosel Sensör 24VDC	WT24-2B420S14	SICK	SICK.1023363
Yürütme Panosu-46S2	1	M12-4pin,5m,düz Bağlantı Soketi	YF2A14-050VB3XLEAX	SICK	SICK.2096235
Yürütme Panosu-46S3	1	Fotosel Sensör 24VDC	WT24-2B420S14	SICK	SICK.1023363
Yürütme Panosu-46S3	1	M12-4pin,5m,düz Bağlantı Soketi	YF2A14-050VB3XLEAX	SICK	SICK.2096235
Yürütme Panosu-46S4	1	Fotosel Sensör 24VDC	WT24-2B420S14	SICK	SICK.1023363
Yürütme Panosu-46S4	1	M12-4pin,5m,düz Bağlantı Soketi	YF2A14-050VB3XLEAX	SICK	SICK.2096235
Yürütme Panosu-46S5	1	Fotosel Sensör 24VDC	WT24-2B420S14	SICK	SICK.1023363

Yürütme Panosu-46S5	1	M12-4pin,5m,düz Bağlantı Soketi	YF2A14-050VB3XLEAX	SICK	SICK.2096235
Yürütme Panosu-47S1	1	Hoisting Limit Switch / 1:50 ratio / 4 Contact	FGR100504	GIOVENZENNA	GIOVENZENNA.FGR100504
Yürütme Panosu-47S3	1	Endüktif Sensör 24VDC PNP Bağlantı	50129982	LEUZE	LEUZE.IS 118 MM/4NC-8E0-M12
Yürütme Panosu-47S4	1	Endüktif Sensör 24VDC PNP Bağlantı	50129982	LEUZE	LEUZE.IS 118 MM/4NC-8E0-M12
Yürütme Panosu-48S1	1	Hoisting Limit Switch / 1:100 ratio / 4 Contact	FGR101004	GIOVENZENNA	GIOVENZENNA.FGR101004
Yürütme Panosu-48S2	1	Hoisting Limit Switch / 1:50 ratio / 4 Contact	FGR100504	GIOVENZENNA	GIOVENZENNA.FGR100504
Yürütme Panosu-50ZR1	1	CT-ERE Time relay, ON-delay 1c/o, 0.3-30s, 110-130VAC	CT-ERE	ABB	ABB.1SVR550107R4100
Yürütme Panosu-50ZR2	1	CT-ERE Time relay, ON-delay 1c/o, 0.3-30s, 110-130VAC	CT-ERE	ABB	ABB.1SVR550107R4100

Cable name			Cable type					
Function text			No. of conductors			Cross-section		Voltage Level
Function text	Page / column	Target designation from	Connection point	Conductor	Target designation to	Connection point	Page / column	Function text
+SMC00-2W4			H05VV-F					
MP>Saha Trafosu 380VAC Giriş			3			2,5		
PLC KART BESLEME	00SMC_MP/2.5	+SMC00_MP-2X1	1	BN	+SMC00_MP-2T2	U1	00SMC_MP/2.5	7,5kVA Yardımcı Besleme Trafosu
PLC KART BESLEME	00SMC_MP/2.5	+SMC00_MP-2X1	2	BU	+SMC00_MP-2T2	V1	00SMC_MP/2.5	7,5kVA Yardımcı Besleme Trafosu
	00SMC_MP/2.5	+		GNYE	+SMC00_MP-2T2	PE	00SMC_MP/2.5	7,5kVA Yardımcı Besleme Trafosu
+SMC00-2W5			H05VV-F					
MP>Saha Trafosu 230VAC Çıkış			3			2,5		
PLC KART BESLEME	00SMC_MP/2.5	+SMC00_MP-2X1	3	BN	+SMC00_MP-2T2	U2	00SMC_MP/2.5	7,5kVA Yardımcı Besleme Trafosu
PLC KART BESLEME	00SMC_MP/2.5	+SMC00_MP-2X1	4	BU	+SMC00_MP-2T2	V2	00SMC_MP/2.5	7,5kVA Yardımcı Besleme Trafosu
+SMC00-3W1			H05VV-F					
MP>Projektör Aydınlatma 1			3			1,5		
	00SMC_MP/3.1	+SMC00_MP-3X1	1	BN	+SMC00 -3H1	L	00SMC_MP/3.1	
	00SMC_MP/3.1	+SMC00_MP-3X1	2	BU	+SMC00 -3H1	N	00SMC_MP/3.1	
	00SMC_MP/3.1	+	PE	GNYE	+SMC00 -3H1	PE	00SMC_MP/3.1	
+SMC00-3W2			H05VV-F					
MP>Projektör Aydınlatma 2			3			1,5		
	00SMC_MP/3.2	+SMC00_MP-3X1	3	BN	+SMC00 -3H2	L	00SMC_MP/3.2	
	00SMC_MP/3.2	+SMC00_MP-3X1	4	BU	+SMC00 -3H2	N	00SMC_MP/3.2	
	00SMC_MP/3.2	+	PE	GNYE	+SMC00 -3H2	PE	00SMC_MP/3.2	
+SMC00-3W3			H05VV-F					
MP>Projektör Aydınlatma 3			3			1,5		
	00SMC_MP/3.3	+SMC00_MP-3X1	5	BN	+SMC00 -3H3	L	00SMC_MP/3.3	
	00SMC_MP/3.4	+SMC00_MP-3X1	6	BU	+SMC00 -3H3	N	00SMC_MP/3.3	

Cable name			+SMC00-3W3			Cable type			H05VV-F						
Function text			MP>Projektör Aydınlatma 3			No. of conductors			3		Cross-section		1,5	Voltage Level	
Function text		Page / column	Target designation from		Connection point	Conductor	Target designation to			Connection point	Page / column		Function text		
		00SMC_MP/3.4	+		PE	GNYE	+SMC00 -3H3			PE	00SMC_MP/3.3				
Cable name			+SMC00-3W4			Cable type			H05VV-F						
Function text			MP>Projektör Aydınlatma 4			No. of conductors			3		Cross-section		1,5	Voltage Level	
Function text		Page / column	Target designation from		Connection point	Conductor	Target designation to			Connection point	Page / column		Function text		
		00SMC_MP/3.5	+SMC00_MP-3X1		7	BN	+SMC00 -3H4			L	00SMC_MP/3.5				
		00SMC_MP/3.5	+SMC00_MP-3X1		8	BU	+SMC00 -3H4			N	00SMC_MP/3.5				
		00SMC_MP/3.5	+		PE	GNYE	+SMC00 -3H4			PE	00SMC_MP/3.5				
Cable name			+SMC00-3W5			Cable type			H05VV-F						
Function text			MP>Projektör Aydınlatma 5			No. of conductors			3		Cross-section		1,5	Voltage Level	
Function text		Page / column	Target designation from		Connection point	Conductor	Target designation to			Connection point	Page / column		Function text		
		00SMC_MP/3.6	+		9	BN	+SMC00 -3H5			L	00SMC_MP/3.6				
		00SMC_MP/3.6	+		10	BU	+SMC00 -3H5			N	00SMC_MP/3.6				
		00SMC_MP/3.6	+		PE	GNYE	+SMC00 -3H5			PE	00SMC_MP/3.6				
Cable name			+SMC00-3W6			Cable type			H05VV-F						
Function text			MP>Projektör Aydınlatma 6			No. of conductors			3		Cross-section		1,5	Voltage Level	
Function text		Page / column	Target designation from		Connection point	Conductor	Target designation to			Connection point	Page / column		Function text		
		00SMC_MP/3.7	+		11	BN	+SMC00 -3H6			L	00SMC_MP/3.7				
		00SMC_MP/3.8	+		12	BU	+SMC00 -3H6			N	00SMC_MP/3.7				
		00SMC_MP/3.8	+		PE	GNYE	+SMC00 -3H6			PE	00SMC_MP/3.7				
Cable name			+SMC00-3W8			Cable type			LIYCY						
Function text			Loadpin Kablosu			No. of conductors			8		Cross-section		0,75	Voltage Level	
Function text		Page / column	Target designation from		Connection point	Conductor	Target designation to			Connection point	Page / column		Function text		
		00SMC OPK Panosu/3.2	+		E+	1	+SMC00 OPK Panosu-3X3			1	00SMC OPK Panosu/3.2				
		00SMC OPK Panosu/3.3	+		E-	2	+SMC00 OPK Panosu-3X3			2	00SMC OPK Panosu/3.3				
		00SMC OPK Panosu/3.3	+		S+	3	+SMC00 OPK Panosu-3X3			3	00SMC OPK Panosu/3.3				

Cable name +SMC00-3W8			Cable type LIYCY						
Function text Loadpin Kablosu			No. of conductors 8			Cross-section 0,75		Voltage Level	
Function text	Page / column	Target designation from	Connection point	Conductor	Target designation to	Connection point	Page / column	Function text	
	00SMC OPK Panosu/3.3 +		S-	4	+SMC00 OPK Panosu-3X3	4	00SMC OPK Panosu/3.3		
	00SMC OPK Panosu/3.4 +SMC00 OPK Panosu-3LC		PE	5	+SMC00 OPK Panosu-3X3	5	00SMC OPK Panosu/3.4		
Cable name +SMC00-4W6			Cable type LIYCY						
Function text Loadpin Kablosu			No. of conductors 8			Cross-section 0,75		Voltage Level	
Function text	Page / column	Target designation from	Connection point	Conductor	Target designation to	Connection point	Page / column	Function text	
	00SMC OPK Panosu/4.3 +		E+	1	+SMC00 OPK Panosu-4X2	1	00SMC OPK Panosu/4.3		
	00SMC OPK Panosu/4.3 +		E-	2	+SMC00 OPK Panosu-4X2	2	00SMC OPK Panosu/4.3		
	00SMC OPK Panosu/4.4 +		S+	3	+SMC00 OPK Panosu-4X2	3	00SMC OPK Panosu/4.4		
	00SMC OPK Panosu/4.4 +		S-	4	+SMC00 OPK Panosu-4X2	4	00SMC OPK Panosu/4.4		
	00SMC OPK Panosu/4.4 +SMC00 OPK Panosu-4LC		PE	5	+SMC00 OPK Panosu-4X2	5	00SMC OPK Panosu/4.4		
Cable name +SMC00-5W1			Cable type H05VV-F						
Function text MP>Pano Odası Priz			No. of conductors 3			Cross-section 2,5		Voltage Level	
Function text	Page / column	Target designation from	Connection point	Conductor	Target designation to	Connection point	Page / column	Function text	
	00SMC Sol Joystik Panosu-5X1	+SMC00 Sol Joystik Panosu-5X1	14	1	+SMC00 Sağ Joystik Panosu-5X2	7	00SMC Sağ Joystik Panosu/7.7		
	00SMC Sol Joystik Panosu-5X1	+SMC00 Sol Joystik Panosu-5X1	13	2	+SMC00 Sağ Joystik Panosu-5X2	8	00SMC Sağ Joystik Panosu/7.7		
	00SMC Sol Joystik Panosu-5X1	+SMC00 Sol Joystik Panosu-5X1	16	3	+SMC00 Sağ Joystik Panosu-5X2	9	00SMC Sağ Joystik Panosu/7.7		
	00SMC Sol Joystik Panosu-5X1	+SMC00 Sol Joystik Panosu-5X1	15	4	+SMC00 Sağ Joystik Panosu-5X2	10	00SMC Sağ Joystik Panosu/7.8		
	00SMC Sol Joystik Panosu-5X1	+SMC00 Sol Joystik Panosu-5X1	12	5	+SMC00 Sağ Joystik Panosu-5X2	11	00SMC Sağ Joystik Panosu/7.8		
	00SMC _MP/5.3	+SMC00 _MP-5X1	1	BK	+SMC00 _MP-5PRZ2	L	00SMC _MP/5.3		
	00SMC _MP/5.3	+SMC00 _MP-5X1	2	BN	+SMC00 _MP-5PRZ2	N	00SMC _MP/5.3		
	00SMC _MP/5.3	+	PE		+SMC00 _MP-5PRZ2	PE	00SMC _MP/5.3		
Cable name +SMC00-5W2			Cable type H05VV-F						
Function text MP>Makina Dairesi Aydınlatma Anahtarı			No. of conductors 3			Cross-section 1,5		Voltage Level	
Function text	Page / column	Target designation from	Connection point	Conductor	Target designation to	Connection point	Page / column	Function text	
	00SMC _MP/5.5	+SMC00 _MP-5X1	3	BK	+SMC00 _MP-5S4	13	00SMC _MP/5.5		

Cable name		+SMC00-5W2		Cable type		H05VV-F				
Function text		MP>Makina Dairesi Aydınlatma Anahtarı		No. of conductors		3		Cross-section	1,5	Voltage Level
Function text	Page / column	Target designation from	Connection point	Conductor	Target designation to	Connection point	Page / column	Function text		
	00SMC_MP/5.6	+SMC00_MP-5X1	4	BN	+SMC00_MP-5S4	14	00SMC_MP/5.5			
Cable name		+SMC00-5W3		Cable type		H05VV-F				
Function text		MP>Makina Dairesi Aydınlatma 1		No. of conductors		3		Cross-section	1,5	Voltage Level
Function text	Page / column	Target designation from	Connection point	Conductor	Target designation to	Connection point	Page / column	Function text		
	00SMC_MP/5.5	+SMC00_MP-5X1	5	BK	+SMC00_MP-5H2		00SMC_MP/5.5	2X18W Pelsan		
	00SMC_MP/5.5	+SMC00_MP-5X1	6	BN	+SMC00_MP-5H2		00SMC_MP/5.5	2X18W Pelsan		
Cable name		+SMC00-5W4		Cable type		H05VV-F				
Function text		MP>Makina Dairesi Aydınlatma 2		No. of conductors		3		Cross-section	1,5	Voltage Level
Function text	Page / column	Target designation from	Connection point	Conductor	Target designation to	Connection point	Page / column	Function text		
	00SMC_MP/5.6	+SMC00_MP-5X1	7	BK	+SMC00_MP-5H3		00SMC_MP/5.6	2X18W Pelsan		
	00SMC_MP/5.6	+SMC00_MP-5X1	8	BN	+SMC00_MP-5H3		00SMC_MP/5.6	2X18W Pelsan		
Cable name		+SMC00-5W5		Cable type		H05VV-F				
Function text		MP>Slipring Aydınlatma		No. of conductors		3		Cross-section	1,5	Voltage Level
Function text	Page / column	Target designation from	Connection point	Conductor	Target designation to	Connection point	Page / column	Function text		
	00SMC_MP/5.7	+SMC00_MP-5X1	9	BK	+SMC00_MP-5H4		00SMC_MP/5.7	2X18W Pelsan		
	00SMC_MP/5.7	+SMC00_MP-5X1	10	BN	+SMC00_MP-5H4		00SMC_MP/5.7	2X18W Pelsan		
Cable name		+SMC00-5W6		Cable type		H05VV-F				
Function text		MP>Slipring Aydınlatma		No. of conductors		3		Cross-section	1,5	Voltage Level
Function text	Page / column	Target designation from	Connection point	Conductor	Target designation to	Connection point	Page / column	Function text		
	00SMC_MP/5.9	+SMC00_MP-5X1	11	BK	+SMC00_MP-5H5	x1	00SMC_MP/5.9			
	00SMC_MP/5.9	+SMC00_MP-5X1	12	BN	+SMC00_MP-5H5	x2	00SMC_MP/5.9			

Cable name			Cable type						
Function text			No. of conductors			Cross-section		Voltage Level	
Function text	Page / column	Target designation from	Connection point	Conductor	Target designation to	Connection point	Page / column	Function text	
+SMC00-5W7			H05VV-F						
MP>Projektör Aydınlatma 1			3			1,5			
		00SMC Yürütme Panosu/5.2	1	BN	+SMC00 Yürütme Panosu-5H1	L	00SMC Yürütme Panosu/5.2		
		00SMC Yürütme Panosu/5.2	2	BU	+SMC00 Yürütme Panosu-5H1	N	00SMC Yürütme Panosu/5.2		
		00SMC Yürütme Panosu/5.2	PE	GNYE	+SMC00 Yürütme Panosu-5H1	PE	00SMC Yürütme Panosu/5.2		
+SMC00-5W8			H05VV-F						
MP>Projektör Aydınlatma 2			3			1,5			
		00SMC Yürütme Panosu/5.3	3	BN	+SMC00 Yürütme Panosu-5H2	L	00SMC Yürütme Panosu/5.3		
		00SMC Yürütme Panosu/5.3	4	BU	+SMC00 Yürütme Panosu-5H2	N	00SMC Yürütme Panosu/5.3		
		00SMC Yürütme Panosu/5.3	PE	GNYE	+SMC00 Yürütme Panosu-5H2	PE	00SMC Yürütme Panosu/5.3		
+SMC00-5W9			H05VV-F						
MP>Projektör Aydınlatma 3			3			1,5			
		00SMC Yürütme Panosu/5.4	5	BN	+SMC00 Yürütme Panosu-5H3	L	00SMC Yürütme Panosu/5.4		
		00SMC Yürütme Panosu/5.4	6	BU	+SMC00 Yürütme Panosu-5H3	N	00SMC Yürütme Panosu/5.4		
		00SMC Yürütme Panosu/5.4	PE	GNYE	+SMC00 Yürütme Panosu-5H3	PE	00SMC Yürütme Panosu/5.4		
+SMC00-5W10			H05VV-F						
MP>Projektör Aydınlatma 4			3			1,5			
		00SMC Yürütme Panosu/5.5	7	BN	+SMC00 Yürütme Panosu-5H4	L	00SMC Yürütme Panosu/5.5		
		00SMC Yürütme Panosu/5.5	8	BU	+SMC00 Yürütme Panosu-5H4	N	00SMC Yürütme Panosu/5.5		
		00SMC Yürütme Panosu/5.5	PE	GNYE	+SMC00 Yürütme Panosu-5H4	PE	00SMC Yürütme Panosu/5.5		
+SMC00-5W11			H05VV-F						
MP>Projektör Aydınlatma 5			3			1,5			
		00SMC Yürütme Panosu/5.6	9	BN	+SMC00 Yürütme Panosu-5H5	L	00SMC Yürütme Panosu/5.6		

Cable name			+SMC00-5W11			Cable type			H05VV-F						
Function text			MP>Projektör Aydınlatma 5			No. of conductors			3		Cross-section		1,5	Voltage Level	
Function text		Page / column	Target designation from		Connection point	Conductor	Target designation to		Connection point	Page / column		Function text			
		00SMC Yürütme Panosu/5.7	+SMC00 Yürütme Panosu-5X1		10	BU	+SMC00 Yürütme Panosu-5H5		N	00SMC Yürütme Panosu/5.6					
		00SMC Yürütme Panosu/5.7			PE	GNYE	+SMC00 Yürütme Panosu-5H5		PE	00SMC Yürütme Panosu/5.6					
Cable name			+SMC00-5W12			Cable type			H05VV-F						
Function text			Yürütme Panosu>Makina Diaresi Merdiven Aydınlatma Anahtarı			No. of conductors			3		Cross-section		1,5	Voltage Level	
Function text		Page / column	Target designation from		Connection point	Conductor	Target designation to		Connection point	Page / column		Function text			
		00SMC Yürütme Panosu/5.7	+SMC00 Yürütme Panosu-5X2		1	BK	+		9	00SMC Slipring/1.4					
		00SMC Yürütme Panosu/5.7	+SMC00 Yürütme Panosu-5X2		2	BK	+		10	00SMC Slipring/1.4					
Cable name			+SMC00-5W13			Cable type			H05VV-F						
Function text			Yürütme Panosu>Merdiven Aydınlatma Anahtarı			No. of conductors			3		Cross-section		1,5	Voltage Level	
Function text		Page / column	Target designation from		Connection point	Conductor	Target designation to		Connection point	Page / column		Function text			
		00SMC Yürütme Panosu/5.5	+SMC00 Yürütme Panosu-5X2		3	BK	+SMC00 Yürütme Panosu-5S1			00SMC Yürütme Panosu/5.5					
		00SMC Yürütme Panosu/5.5	+SMC00 Yürütme Panosu-5X2		3	BK	+SMC00 Yürütme Panosu-5S1			00SMC Yürütme Panosu/5.5					
Cable name			+SMC00-6W1			Cable type			H05VV-F						
Function text			MP>Pano Odası Soğutma Fanı 1			No. of conductors			4		Cross-section		1,5	Voltage Level	
Function text		Page / column	Target designation from		Connection point	Conductor	Target designation to		Connection point	Page / column		Function text			
		00SMC_MP/6.2	+SMC00_MP-7X1		1	BK	+SMC00_MP-6M1		U1	00SMC_MP/6.2		Soğutma Fanı1			
		00SMC_MP/6.2	+SMC00_MP-7X1		2	BN	+SMC00_MP-6M1		V1	00SMC_MP/6.2		Soğutma Fanı1			
		00SMC_MP/6.3	+			GNYE	+SMC00_MP-6M1		PE	00SMC_MP/6.2		Soğutma Fanı1			
		00SMC_MP/6.2	+SMC00_MP-7X1		3	GY	+SMC00_MP-6M1		W1	00SMC_MP/6.2		Soğutma Fanı1			
Cable name			+SMC00-6W2			Cable type			H05VV-F						
Function text			MP>Pano Odası Soğutma Fanı 2			No. of conductors			4		Cross-section		1,5	Voltage Level	
Function text		Page / column	Target designation from		Connection point	Conductor	Target designation to		Connection point	Page / column		Function text			
		00SMC_MP/6.4	+SMC00_MP-7X1		4	BK	+SMC00_MP-6M2		U1	00SMC_MP/6.4		Soğutma Fanı2			
		00SMC_MP/6.4	+SMC00_MP-7X1		5	BN	+SMC00_MP-6M2		V1	00SMC_MP/6.4		Soğutma Fanı2			
		00SMC_MP/6.5	+			GNYE	+SMC00_MP-6M2		PE	00SMC_MP/6.4		Soğutma Fanı2			

Cable name			Cable type					
+SMC00-6W2			H05VV-F					
Function text			No. of conductors			Cross-section		Voltage Level
MP>Pano Odası Soğutma Fanı 2			4			1,5		
Function text	Page / column	Target designation from	Connection point	Conductor	Target designation to	Connection point	Page / column	Function text
	00SMC_MP/6.5	+SMC00_MP-7X1	6	GY	+SMC00_MP-6M2	W1	00SMC_MP/6.4	Soğutma Fanı2
Cable name			Cable type					
+SMC00-7W3			LIYCY					
Function text			No. of conductors			Cross-section		Voltage Level
OPK>MP Joystik 0-10VDC Analog Referans			8			0,75		
Function text	Page / column	Target designation from	Connection point	Conductor	Target designation to	Connection point	Page / column	Function text
	00SMC Sol Joystik Panosu-7X2	+SMC00 Sol Joystik Panosu-7X2	1	1	+SMC00_MP-71A1	-X11:3.0	00SMC_MP/72.2	Kanca Joystik Pot.
	00SMC Sol Joystik Panosu-7X2	+SMC00 Sol Joystik Panosu-7X2	3	3	+SMC00_MP-71A1	-X11:4.4	00SMC_MP/72.4	Döndürme Joystik Pot.
	00SMC Sol Joystik Panosu-7X2	+SMC00 Sol Joystik Panosu-7X2	4	4	+SMC00_MP-71A1	-X11:4.0	00SMC_MP/72.2	Kanca Joystik Pot.
	00SMC Sol Joystik Panosu-7X2	+SMC00 Sol Joystik Panosu-7X2	5	5	+SMC00_MP-71A1	-X11:4.6	00SMC_MP/72.5	Yürütme Joystik Pot.
	00SMC Sol Joystik Panosu-7X2	+SMC00 Sol Joystik Panosu-7X2	6	6	+SMC00_MP-73A1	-X11:2.0	00SMC_MP/73.4	Y.Kanca Joystik Pot.
Cable name			Cable type					
+SMC00-7W4			H05VVF					
Function text			No. of conductors			Cross-section		Voltage Level
Yürütme Pano>Kablo Tambur Frenleme Direnci			3			2,5		
Function text	Page / column	Target designation from	Connection point	Conductor	Target designation to	Connection point	Page / column	Function text
	00SMC Yürütme Panosu-7X1	+SMC00 Yürütme Panosu-7X1	4	BK	+SMC00 Yürütme Panosu-7R	x2	00SMC Yürütme Panosu-7X1	Kablo Tambur Yürütme Frenleme Direnci
	00SMC Yürütme Panosu-7X1	+SMC00 Yürütme Panosu-7X1	5	BN	+SMC00 Yürütme Panosu-7R	x1	00SMC Yürütme Panosu-7X1	Kablo Tambur Yürütme Frenleme Direnci
	00SMC Yürütme Panosu-7X1	+SMC00 Yürütme Panosu-PE01	PE	GNYE	+SMC00 Yürütme Panosu-7R	PE	00SMC Yürütme Panosu-7X1	Kablo Tambur Yürütme Frenleme Direnci
Cable name			Cable type					
+SMC00-7W10			H05VVF					
Function text			No. of conductors			Cross-section		Voltage Level
Yürütme Pano>Kablo Tambur Motoru			4			4		
Function text	Page / column	Target designation from	Connection point	Conductor	Target designation to	Connection point	Page / column	Function text
	00SMC Yürütme Panosu-7X1	+SMC00 Yürütme Panosu-7X1	1:2	BK	+SMC00 Yürütme Panosu-7M1	U1	00SMC Yürütme Panosu-7X1	Kablo Tambur Motor
	00SMC Yürütme Panosu-7X1	+SMC00 Yürütme Panosu-7X1	2:2	BN	+SMC00 Yürütme Panosu-7M1	V1	00SMC Yürütme Panosu-7X1	Kablo Tambur Motor
	00SMC Yürütme Panosu-7X1	+SMC00 Yürütme Panosu-PE01	PE	GNYE	+SMC00 Yürütme Panosu-7M1	PE	00SMC Yürütme Panosu-7X1	Kablo Tambur Motor
	00SMC Yürütme Panosu-7X1	+SMC00 Yürütme Panosu-7X1	3:2	GY	+SMC00 Yürütme Panosu-7M1	W1	00SMC Yürütme Panosu-7X1	Kablo Tambur Motor

Cable name			Cable type						
Function text			No. of conductors			Cross-section		Voltage Level	
Function text	Page / column	Target designation from	Connection point	Conductor	Target designation to	Connection point	Page / column	Function text	
+SMC00-8W1			H05VVF						
Yürütme Pano>Kablo Tamburu E.M.Fren			3			1,5			
	00SMC Yürütme Panosu/8.4	+SMC00 Yürütme Panosu-8X1	1	BN	+SMC00 Yürütme Panosu-8V1	~	00SMC Yürütme Panosu/8.4		
	00SMC Yürütme Panosu/8.4	+SMC00 Yürütme Panosu-8X1	2	BU	+SMC00 Yürütme Panosu-8V1	~	00SMC Yürütme Panosu/8.4		
+SMC00-10W1			H05V-K						
MP>Ana Kanca Motor L1			1			70			
	00SMC _MP/10.3	+SMC00 _MP-10X1	1:2	BK	+SMC00 _MP-10M	U1	00SMC _MP/10.3	Ana Kanca Motor	
+SMC00-10W2			H05V-K						
MP>Ana Kanca Motor L2			1			70			
	00SMC _MP/10.4	+SMC00 _MP-10X1	2:2	BK	+SMC00 _MP-10M	V1	00SMC _MP/10.3	Ana Kanca Motor	
+SMC00-10W3			H05V-K						
MP>Ana Kanca Motor L3			1			70			
	00SMC _MP/10.4	+SMC00 _MP-10X1	3:2	BK	+SMC00 _MP-10M	W1	00SMC _MP/10.3	Ana Kanca Motor	
+SMC00-10W4			H05V-K						
MP>Ana Kanca Motor PE			1			35			
Ana Kanca Motor	00SMC _MP/10.3	+SMC00 _MP-10M	PE	GNYE	+SMC00 _MP-PE01	PE	00SMC _MP/10.4		
+SMC00-10W5			H05V-K						
MP>Ana Kanca Frenleme Direnci R-			1			70			
	00SMC _MP/10.6	+SMC00 _MP-10X1	4	BK	+SMC00 _MP-10R	x2	00SMC _MP/10.6	Ana Kanca Frenleme Direnci	

Cable name		+SMC00-10W6		Cable type		H05V-K			
Function text		MP>Ana Kanca Frenleme Direnci R+		No. of conductors		1	Cross-section	70	Voltage Level
Function text	Page / column	Target designation from	Connection point	Conductor	Target designation to	Connection point	Page / column	Function text	
	00SMC_MP/10.6	+SMC00_MP-10X1	5	BK	+SMC00_MP-10R	x1	00SMC_MP/10.6	Ana Kanca Frenleme Direnci	
Cable name		+SMC00-10W7		Cable type		H05V-K			
Function text		MP>Ana Kanca Frenleme Direnci PE		No. of conductors		1	Cross-section	35	Voltage Level
Function text	Page / column	Target designation from	Connection point	Conductor	Target designation to	Connection point	Page / column	Function text	
Ana Kanca Frenleme Direnci	00SMC_MP/10.6	+SMC00_MP-10R	PE	GNYE	+SMC00_MP-PE01	PE	00SMC_MP/10.6		
Cable name		+SMC00-10W8		Cable type		H05VVF			
Function text		Yürütme Pano>Ayak Kilitleme Pompa Motoru		No. of conductors		4	Cross-section	2,5	Voltage Level
Function text	Page / column	Target designation from	Connection point	Conductor	Target designation to	Connection point	Page / column	Function text	
	00SMC Yürütme Panosu/10.2	+SMC00 Yürütme Panosu-10X1	1:2	BK	+SMC00 Yürütme Panosu-10M1	U1	00SMC Yürütme Panosu/10.2		
	00SMC Yürütme Panosu/10.2	+SMC00 Yürütme Panosu-10X1	2:2	BN	+SMC00 Yürütme Panosu-10M1	V1	00SMC Yürütme Panosu/10.2		
	00SMC Yürütme Panosu/10.2	+SMC00 Yürütme Panosu-PE01	PE	GNYE	+SMC00 Yürütme Panosu-10M1	PE	00SMC Yürütme Panosu/10.2		
	00SMC Yürütme Panosu/10.2	+SMC00 Yürütme Panosu-10X1	3:2	GY	+SMC00 Yürütme Panosu-10M1	W1	00SMC Yürütme Panosu/10.2		
Cable name		+SMC00-11W1		Cable type		H05VV-F			
Function text		MP>Ana Kanca E.M.Fren1		No. of conductors		3	Cross-section	1,5	Voltage Level
Function text	Page / column	Target designation from	Connection point	Conductor	Target designation to	Connection point	Page / column	Function text	
	00SMC_MP/11.4	+SMC00_MP-11X1	1	BN	+SMC00_MP-11V1	~	00SMC_MP/11.4		
	00SMC_MP/11.4	+SMC00_MP-11X1	2	GY	+SMC00_MP-11V1	~	00SMC_MP/11.4		
Cable name		+SMC00-11W2		Cable type		H05VV-F			
Function text		MP>Ana Kanca E.M.Fren2		No. of conductors		3	Cross-section	1,5	Voltage Level
Function text	Page / column	Target designation from	Connection point	Conductor	Target designation to	Connection point	Page / column	Function text	
	00SMC_MP/11.6	+SMC00_MP-11X1	3	BN	+SMC00_MP-11V2	~	00SMC_MP/11.6		
	00SMC_MP/11.6	+SMC00_MP-11X1	4	GY	+SMC00_MP-11V2	~	00SMC_MP/11.6		

Cable name			Cable type					
+SMC00-13W1			H05VV-F					
Function text			No. of conductors			Cross-section		Voltage Level
MP>Sağ Joystik A.Kanca+Yürütme			5			1,5		
Function text	Page / column	Target designation from	Connection point	Conductor	Target designation to	Connection point	Page / column	Function text
	00SMC_MP/13.3	+SMC00_MP-13X1	1	1	+SMC00 Sağ Joystik Panosu-5X1	1	00SMC Sağ Joystik Panosu/7.1	
	00SMC_MP/13.4	+SMC00_MP-13X1	2	2	+SMC00 Sağ Joystik Panosu-5X1	4	00SMC Sağ Joystik Panosu/7.2	
	00SMC_MP/13.6	+SMC00_MP-13X1	3	3	+SMC00 Sağ Joystik Panosu-5X1	5	00SMC Sağ Joystik Panosu/7.2	
	00SMC_MP/23.4	+	2	4	+SMC00 Sağ Joystik Panosu-5X1	10	00SMC Sağ Joystik Panosu/7.2	
	00SMC_MP/23.6	+	3	5	+SMC00 Sağ Joystik Panosu-5X1	11	00SMC Sağ Joystik Panosu/7.2	
	00SMC_MP/40.3	+SMC00_MP-40X1	1	6	+SMC00 Sağ Joystik Panosu-5X1	6	00SMC Sağ Joystik Panosu/7.3	
	00SMC_MP/40.5	+SMC00_MP-40X1	2	7	+SMC00 Sağ Joystik Panosu-5X1	7	00SMC Sağ Joystik Panosu/7.4	
	00SMC_MP/4.0	+SMC00_MP-4X1	1	8	+SMC00 Sağ Joystik Panosu-8X1	3	00SMC Sağ Joystik Panosu/8.1	
	00SMC_MP/4.1	+SMC00_MP-4X1	2	9	+SMC00 Sağ Joystik Panosu-8X1	4	00SMC Sağ Joystik Panosu/8.1	
	00SMC_MP/61.3	+SMC00_MP-61X1	1	10	+SMC00 Sağ Joystik Panosu-8X1	11	00SMC Sağ Joystik Panosu/8.5	
	00SMC_MP/61.4	+SMC00_MP-61X1	2	11	+SMC00 Sağ Joystik Panosu-8X1	5	00SMC Sağ Joystik Panosu/8.2	
	00SMC_MP/61.4	+SMC00_MP-61X1	3	12	+SMC00 Sağ Joystik Panosu-8X1	7	00SMC Sağ Joystik Panosu/8.3	
	00SMC_MP/61.5	+SMC00_MP-61X1	4	13	+SMC00 Sağ Joystik Panosu-8X1	9	00SMC Sağ Joystik Panosu/8.4	
	00SMC_MP/68.5	+SMC00_MP-68X1	1	14	+SMC00 Sağ Joystik Panosu-8X1	13	00SMC Sağ Joystik Panosu/8.6	
	00SMC_MP/68.6	+SMC00_MP-68X1	2	15	+SMC00_MP-68X1	3	00SMC_MP/68.7	
Cable name			Cable type					
+SMC00-14W1			LIYCY					
Function text			No. of conductors			Cross-section		Voltage Level
MP>Ana Kanca Motor Enkoder			8			0,75		
Function text	Page / column	Target designation from	Connection point	Conductor	Target designation to	Connection point	Page / column	Function text
	00SMC_MP/14.4	+SMC00_MP-10FC	X81.4	1	+SMC00_MP-10M	+	00SMC_MP/14.4	Ana Kanca Motor Enkoder
	00SMC_MP/14.4	+SMC00_MP-10FC	X81.5	2	+SMC00_MP-10M	-	00SMC_MP/14.4	Ana Kanca Motor Enkoder
	00SMC_MP/14.4	+SMC00_MP-10FC	X82.1	3	+SMC00_MP-10M	A	00SMC_MP/14.4	Ana Kanca Motor Enkoder
	00SMC_MP/14.5	+SMC00_MP-10FC	X82.2	4	+SMC00_MP-10M	A/	00SMC_MP/14.4	Ana Kanca Motor Enkoder
	00SMC_MP/14.5	+SMC00_MP-10FC	X82.3	5	+SMC00_MP-10M	B	00SMC_MP/14.4	Ana Kanca Motor Enkoder
	00SMC_MP/14.5	+SMC00_MP-10FC	X82.4	6	+SMC00_MP-10M	B/	00SMC_MP/14.4	Ana Kanca Motor Enkoder

Cable name +SMC00-15W1			Cable type LIYCY						
Function text MP>Ana Kanca Motor PTC			No. of conductors 2			Cross-section 0,75		Voltage Level	
Function text	Page / column	Target designation from	Connection point	Conductor	Target designation to	Connection point	Page / column	Function text	
	00SMC_MP/15.4	+SMC00_MP-15X1	1	BN	+SMC00_MP-10B	x1	00SMC_MP/15.4	Ana Kanca Motor PTC	
	00SMC_MP/15.4	+SMC00_MP-15X1	2	WH	+SMC00_MP-10B	x2	00SMC_MP/15.4	Ana Kanca Motor PTC	
Cable name +SMC00-16W1			Cable type H05VV-F						
Function text MP>Ana Kanca Tambur Sivig			No. of conductors 5			Cross-section 1,5		Voltage Level	
Function text	Page / column	Target designation from	Connection point	Conductor	Target designation to	Connection point	Page / column	Function text	
	00SMC_MP/16.3	+SMC00_MP-16X1	1	BK	+SMC00_MP-16S1	11	00SMC_MP/16.4	Up Stop	
	00SMC_MP/16.4	+SMC00_MP-16X1	2	BN	+SMC00_MP-16S1	12	00SMC_MP/16.4	Up Stop	
	00SMC_MP/16.6	+SMC00_MP-16X1	4	BU	+SMC00_MP-16S1	2	00SMC_MP/16.6	Up Slowdown	
	00SMC_MP/16.7	+SMC00_MP-16X1	5	GNYE	+SMC00_MP-16S1	2	00SMC_MP/16.7	Down Slowdown	
	00SMC_MP/16.5	+SMC00_MP-16X1	3	GY	+SMC00_MP-16S1	2	00SMC_MP/16.5	Down Stop	
Cable name +SMC00-20W1			Cable type H05V-K						
Function text MP>Yardımcı Kanca Motor L1			No. of conductors 1			Cross-section 16		Voltage Level	
Function text	Page / column	Target designation from	Connection point	Conductor	Target designation to	Connection point	Page / column	Function text	
	00SMC_MP/20.3	+SMC00_MP-20X1	1:2	BK	+SMC00_MP-20M	U1	00SMC_MP/20.3	Yardımcı Kanca Motor	
Cable name +SMC00-20W2			Cable type H05V-K						
Function text MP>Yardımcı Kanca Motor L2			No. of conductors 1			Cross-section 16		Voltage Level	
Function text	Page / column	Target designation from	Connection point	Conductor	Target designation to	Connection point	Page / column	Function text	
	00SMC_MP/20.3	+SMC00_MP-20X1	2:2	BK	+SMC00_MP-20M	V1	00SMC_MP/20.3	Yardımcı Kanca Motor	
Cable name +SMC00-20W3			Cable type H05V-K						
Function text MP>Yardımcı Kanca Motor L3			No. of conductors 1			Cross-section 16		Voltage Level	
Function text	Page / column	Target designation from	Connection point	Conductor	Target designation to	Connection point	Page / column	Function text	
	00SMC_MP/20.4	+SMC00_MP-20X1	3:2	BK	+SMC00_MP-20M	W1	00SMC_MP/20.3	Yardımcı Kanca Motor	



Cable name +SMC00-20W4			Cable type H05V-K					
Function text MP>Yardımcı Kanca Motor PE			No. of conductors 1			Cross-section 10		Voltage Level
Function text	Page / column	Target designation from	Connection point	Conductor	Target designation to	Connection point	Page / column	Function text
Yardımcı Kanca Motor	00SMC_MP/20.3	+SMC00_MP-20M	PE	GNYE	+SMC00_MP-PE01	PE	00SMC_MP/20.4	
Cable name +SMC00-20W5			Cable type H07V-K					
Function text MP>Bom Kaldırma Frenleme Direnci R-			No. of conductors 1			Cross-section 16		Voltage Level
Function text	Page / column	Target designation from	Connection point	Conductor	Target designation to	Connection point	Page / column	Function text
	00SMC_MP/20.5	+SMC00_MP-20X1	4	BK	+SMC00_MP-20R	x2	00SMC_MP/20.6	Yardımcı Kanca Frenleme Direnci
Cable name +SMC00-20W6			Cable type H07V-K					
Function text MP>Bom Kaldırma Frenleme Direnci R+			No. of conductors 1			Cross-section 16		Voltage Level
Function text	Page / column	Target designation from	Connection point	Conductor	Target designation to	Connection point	Page / column	Function text
	00SMC_MP/20.6	+SMC00_MP-20X1	5	BK	+SMC00_MP-20R	x1	00SMC_MP/20.6	Yardımcı Kanca Frenleme Direnci
Cable name +SMC00-20W7			Cable type H07V-K					
Function text MP>Bom Kaldırma Frenleme Direnci PE			No. of conductors 1			Cross-section 10		Voltage Level
Function text	Page / column	Target designation from	Connection point	Conductor	Target designation to	Connection point	Page / column	Function text
Yardımcı Kanca Frenleme Direnci	00SMC_MP/20.6	+SMC00_MP-20R	PE	PE	+SMC00_MP-PE01	PE	00SMC_MP/20.6	
Cable name +SMC00-21W1			Cable type H05VV-F					
Function text MP>Yard. Kanca E.M.Fren1			No. of conductors 3			Cross-section 1,5		Voltage Level
Function text	Page / column	Target designation from	Connection point	Conductor	Target designation to	Connection point	Page / column	Function text
	00SMC_MP/21.3	+SMC00_MP-21X1	1	BN	+SMC00_MP-21V1	~	00SMC_MP/21.3	
	00SMC_MP/21.3	+SMC00_MP-21X1	2	GY	+SMC00_MP-21V1	~	00SMC_MP/21.3	
Cable name +SMC00-21W2			Cable type H05VV-F					
Function text MP>Yard. Kanca E.M.Fren2			No. of conductors 3			Cross-section 1,5		Voltage Level
Function text	Page / column	Target designation from	Connection point	Conductor	Target designation to	Connection point	Page / column	Function text
	00SMC_MP/21.5	+SMC00_MP-21X1	3	BN	+SMC00_MP-21V2	~	00SMC_MP/21.5	
	00SMC_MP/21.5	+SMC00_MP-21X1	4	GY	+SMC00_MP-21V2	~	00SMC_MP/21.5	

Cable name +SMC00-24W1			Cable type LIYCY					
Function text MP>Yardımcı Kanca Motor Enkoder			No. of conductors 8			Cross-section 0,75		Voltage Level
Function text	Page / column	Target designation from	Connection point	Conductor	Target designation to	Connection point	Page / column	Function text
	00SMC_MP/24.4	+SMC00_MP-20FC	X81.4	1	+SMC00_MP-20M	+	00SMC_MP/24.4	Yardımcı Kanca Motor Enkoder
	00SMC_MP/24.4	+SMC00_MP-20FC	X81.5	2	+SMC00_MP-20M	-	00SMC_MP/24.4	Yardımcı Kanca Motor Enkoder
	00SMC_MP/24.5	+SMC00_MP-20FC	X82.1	3	+SMC00_MP-20M	A	00SMC_MP/24.4	Yardımcı Kanca Motor Enkoder
	00SMC_MP/24.5	+SMC00_MP-20FC	X82.2	4	+SMC00_MP-20M	A/	00SMC_MP/24.4	Yardımcı Kanca Motor Enkoder
	00SMC_MP/24.5	+SMC00_MP-20FC	X82.3	5	+SMC00_MP-20M	B	00SMC_MP/24.4	Yardımcı Kanca Motor Enkoder
	00SMC_MP/24.6	+SMC00_MP-20FC	X82.4	6	+SMC00_MP-20M	B/	00SMC_MP/24.4	Yardımcı Kanca Motor Enkoder
Cable name +SMC00-25W1			Cable type LIYCY					
Function text MP>Yardımcı Kanca Motor PTC			No. of conductors 2			Cross-section 0,75		Voltage Level
Function text	Page / column	Target designation from	Connection point	Conductor	Target designation to	Connection point	Page / column	Function text
	00SMC_MP/25.4	+SMC00_MP-25X1	1	BN	+SMC00_MP-10B	x1	00SMC_MP/25.4	Yardımcı Kanca Motor PTC
	00SMC_MP/25.4	+SMC00_MP-25X1	2	WH	+SMC00_MP-10B	x2	00SMC_MP/25.4	Yardımcı Kanca Motor PTC
Cable name +SMC00-26W1			Cable type H05VV-F					
Function text MP>Yardımcı Kanca Tambur Siviç			No. of conductors 5			Cross-section 1,5		Voltage Level
Function text	Page / column	Target designation from	Connection point	Conductor	Target designation to	Connection point	Page / column	Function text
	00SMC_MP/26.3	+SMC00_MP-26X1	1	BK	+SMC00_MP-26S1	11	00SMC_MP/26.4	Up Stop
	00SMC_MP/26.4	+SMC00_MP-26X1	2	BN	+SMC00_MP-26S1	12	00SMC_MP/26.4	Up Stop
	00SMC_MP/26.6	+SMC00_MP-26X1	4	BU	+SMC00_MP-26S1	2	00SMC_MP/26.6	Up Slowdown
	00SMC_MP/26.7	+SMC00_MP-26X1	5	GNYE	+SMC00_MP-26S1	2	00SMC_MP/26.7	Down Slowdown
	00SMC_MP/26.5	+SMC00_MP-26X1	3	GY	+SMC00_MP-26S1	2	00SMC_MP/26.5	Down Stop
Cable name +SMC00-30W1			Cable type H07V-K					
Function text MP>Bom Kaldırma Motor L1			No. of conductors 1			Cross-section 35		Voltage Level
Function text	Page / column	Target designation from	Connection point	Conductor	Target designation to	Connection point	Page / column	Function text
	00SMC_MP/30.3	+SMC00_MP-30X1	1:2	BK	+SMC00_MP-30M	U1	00SMC_MP/30.3	Bom Motor

Cable name		+SMC00-30W2		Cable type		H07V-K			
Function text		MP>Bom Kaldırma Motor L2		No. of conductors		1	Cross-section	35	Voltage Level
Function text	Page / column	Target designation from	Connection point	Conductor	Target designation to	Connection point	Page / column	Function text	
	00SMC_MP/30.3	+SMC00_MP-30X1	2:2	BK	+SMC00_MP-30M	V1	00SMC_MP/30.3	Bom Motor	
Cable name		+SMC00-30W3		Cable type		H07V-K			
Function text		MP>Bom Kaldırma Motor L3		No. of conductors		1	Cross-section	35	Voltage Level
Function text	Page / column	Target designation from	Connection point	Conductor	Target designation to	Connection point	Page / column	Function text	
	00SMC_MP/30.4	+SMC00_MP-30X1	3:2	BK	+SMC00_MP-30M	W1	00SMC_MP/30.3	Bom Motor	
Cable name		+SMC00-30W4		Cable type		H07V-K			
Function text		MP>Bom Kaldırma Motor PE		No. of conductors		1	Cross-section	16	Voltage Level
Function text	Page / column	Target designation from	Connection point	Conductor	Target designation to	Connection point	Page / column	Function text	
Bom Motor	00SMC_MP/30.3	+SMC00_MP-30M	PE	GNYE	+SMC00_MP-PE01	PE	00SMC_MP/30.4		
Cable name		+SMC00-30W5		Cable type		H05V-K			
Function text		MP>Bom Frenleme Direnci R-		No. of conductors		1	Cross-section	35	Voltage Level
Function text	Page / column	Target designation from	Connection point	Conductor	Target designation to	Connection point	Page / column	Function text	
	00SMC_MP/30.5	+SMC00_MP-30X1	4	BK	+SMC00_MP-30R	x2	00SMC_MP/30.6	Bom Frenleme Direnci	
Cable name		+SMC00-30W6		Cable type		H05V-K			
Function text		MP>Bom Frenleme Direnci R+		No. of conductors		1	Cross-section	35	Voltage Level
Function text	Page / column	Target designation from	Connection point	Conductor	Target designation to	Connection point	Page / column	Function text	
	00SMC_MP/30.6	+SMC00_MP-30X1	5	BK	+SMC00_MP-30R	x1	00SMC_MP/30.6	Bom Frenleme Direnci	
Cable name		+SMC00-30W7		Cable type		H05V-K			
Function text		MP>Bom Frenleme Direnci PE		No. of conductors		1	Cross-section	16	Voltage Level
Function text	Page / column	Target designation from	Connection point	Conductor	Target designation to	Connection point	Page / column	Function text	
Bom Frenleme Direnci	00SMC_MP/30.6	+SMC00_MP-30R	PE	GNYE	+SMC00_MP-PE01	PE	00SMC_MP/30.6		

Cable name +SMC00-31W1			Cable type H05VV-F					
Function text MP>Bom Kaldırma Eldro Fren			No. of conductors 4			Cross-section 1,5		Voltage Level
Function text	Page / column	Target designation from	Connection point	Conductor	Target designation to	Connection point	Page / column	Function text
	00SMC_MP/31.2	+SMC00_MP-31X1	1	BK	+SMC00_MP-31Y	U1	00SMC_MP/31.2	Bom Eldro Fren
	00SMC_MP/31.2	+SMC00_MP-31X1	2	BN	+SMC00_MP-31Y	V1	00SMC_MP/31.2	Bom Eldro Fren
	00SMC_MP/31.2	+		GNYE	+SMC00_MP-31Y	PE	00SMC_MP/31.2	Bom Eldro Fren
	00SMC_MP/31.2	+SMC00_MP-31X1	3	GY	+SMC00_MP-31Y	W1	00SMC_MP/31.2	Bom Eldro Fren
Cable name +SMC00-31W2			Cable type H05VV-F					
Function text MP>Bom E.M.Fren1			No. of conductors 3			Cross-section 1,5		Voltage Level
Function text	Page / column	Target designation from	Connection point	Conductor	Target designation to	Connection point	Page / column	Function text
	00SMC_MP/31.5	+SMC00_MP-31X1	4	BN	+SMC00_MP-31V1	~	00SMC_MP/31.5	
	00SMC_MP/31.5	+SMC00_MP-31X1	5		+SMC00_MP-31V1	~	00SMC_MP/31.5	
Cable name +SMC00-31W3			Cable type H05VV-F					
Function text MP>Bom E.M.Fren2			No. of conductors 3			Cross-section 1,5		Voltage Level
Function text	Page / column	Target designation from	Connection point	Conductor	Target designation to	Connection point	Page / column	Function text
	00SMC_MP/31.7	+SMC00_MP-31X1	6	BN	+SMC00_MP-31V2	~	00SMC_MP/31.7	
	00SMC_MP/31.8	+SMC00_MP-31X1	7		+SMC00_MP-31V2	~	00SMC_MP/31.8	
Cable name +SMC00-33W1			Cable type H05VV-F					
Function text MP>Sol Joystik Bom+Döndürme			No. of conductors 5			Cross-section 1,5		Voltage Level
Function text	Page / column	Target designation from	Connection point	Conductor	Target designation to	Connection point	Page / column	Function text
	00SMC_MP/33.3	+SMC00_MP-33X1	1	BK	+SMC00 Sol Joystik Panosu-5X1	1	00SMC Sol Joystik Panosu/5.2	
	00SMC_MP/33.5	+SMC00_MP-33X1	2	BN	+SMC00 Sol Joystik Panosu-5X1	2	00SMC Sol Joystik Panosu/5.2	
	00SMC_MP/53.4	+SMC00_MP-53X1	1	BU	+SMC00 Sol Joystik Panosu-5X1	4	00SMC Sol Joystik Panosu/5.3	
	00SMC_MP/53.5	+SMC00_MP-53X1	2	GNYE	+SMC00 Sol Joystik Panosu-5X1	5	00SMC Sol Joystik Panosu/5.4	
	00SMC_MP/33.6	+SMC00_MP-33X1	3	GY	+SMC00 Sol Joystik Panosu-5X1	3	00SMC Sol Joystik Panosu/5.3	



Cable name +SMC00-34W1			Cable type LIYCY					
Function text MP>Bom Kaldırma Motor Enkoder			No. of conductors 8			Cross-section 0,75		Voltage Level
Function text	Page / column	Target designation from	Connection point	Conductor	Target designation to	Connection point	Page / column	Function text
	00SMC_MP/34.4	+SMC00_MP-30FC	X81.4	1	+SMC00_MP-30M	+	00SMC_MP/34.4	Bom Motor Enkoder
	00SMC_MP/34.4	+SMC00_MP-30FC	X81.5	2	+SMC00_MP-30M	-	00SMC_MP/34.4	Bom Motor Enkoder
	00SMC_MP/34.4	+SMC00_MP-30FC	X82.1	3	+SMC00_MP-30M	A	00SMC_MP/34.4	Bom Motor Enkoder
	00SMC_MP/34.5	+SMC00_MP-30FC	X82.2	4	+SMC00_MP-30M	A/	00SMC_MP/34.4	Bom Motor Enkoder
	00SMC_MP/34.5	+SMC00_MP-30FC	X82.3	5	+SMC00_MP-30M	B	00SMC_MP/34.4	Bom Motor Enkoder
	00SMC_MP/34.5	+SMC00_MP-30FC	X82.4	6	+SMC00_MP-30M	B/	00SMC_MP/34.4	Bom Motor Enkoder
Cable name +SMC00-35W1			Cable type LIYCY					
Function text MP>Bom Motor PTC			No. of conductors 2			Cross-section 0,75		Voltage Level
Function text	Page / column	Target designation from	Connection point	Conductor	Target designation to	Connection point	Page / column	Function text
	00SMC_MP/35.4	+SMC00_MP-35X1	1	BN	+SMC00_MP-30B	x1	00SMC_MP/35.5	Bom Motor PTC
	00SMC_MP/35.5	+SMC00_MP-35X1	2	WH	+SMC00_MP-30B	x2	00SMC_MP/35.5	Bom Motor PTC
Cable name +SMC00-36W1			Cable type H05VV-F					
Function text MP>Bom Kaldırma Tambur Siviç			No. of conductors 5			Cross-section 1,5		Voltage Level
Function text	Page / column	Target designation from	Connection point	Conductor	Target designation to	Connection point	Page / column	Function text
	00SMC_MP/36.4	+SMC00_MP-36X1	1	BK	+SMC00_MP-36S1	11	00SMC_MP/36.4	Up Stop
	00SMC_MP/36.4	+SMC00_MP-36X1	2	BN	+SMC00_MP-36S1	12	00SMC_MP/36.4	Up Stop
	00SMC_MP/36.6	+SMC00_MP-36X1	4	BU	+SMC00_MP-36S1	2	00SMC_MP/36.6	Up Slowdown
	00SMC_MP/36.7	+SMC00_MP-36X1	5	GNYE	+SMC00_MP-36S1	2	00SMC_MP/36.7	Down Slowdown
	00SMC_MP/36.5	+SMC00_MP-36X1	3	GY	+SMC00_MP-36S1	2	00SMC_MP/36.5	Down Stop
Cable name +SMC00-37W1			Cable type H05VV-F					
Function text Mp>Bom Yukarı Yavaşlama (Açı)			No. of conductors 3			Cross-section 1,5		Voltage Level
Function text	Page / column	Target designation from	Connection point	Conductor	Target designation to	Connection point	Page / column	Function text
	00SMC_MP/37.3	+SMC00_MP-37X1	1	BK	+SMC00_MP-37S1	5	00SMC_MP/37.3	
	00SMC_MP/37.3	+SMC00_MP-37X1	2	BN	+SMC00_MP-37S1	6	00SMC_MP/37.3	

Cable name			Cable type					
+SMC00-37W2			H05VV-F					
Function text			No. of conductors			Cross-section		Voltage Level
Mp>Bom Yukarı Durdurma (Açı)			3			1,5		
Function text	Page / column	Target designation from	Connection point	Conductor	Target designation to	Connection point	Page / column	Function text
	00SMC_MP/37.4	+SMC00_MP-37X1	3	BK	+SMC00_MP-37S2	5	00SMC_MP/37.4	
	00SMC_MP/37.4	+SMC00_MP-37X1	4	BN	+SMC00_MP-37S2	6	00SMC_MP/37.4	
Cable name			Cable type					
+SMC00-37W3			H05VV-F					
Function text			No. of conductors			Cross-section		Voltage Level
Mp>Bom Aşağı Yavaşlama (Açı)			3			1,5		
Function text	Page / column	Target designation from	Connection point	Conductor	Target designation to	Connection point	Page / column	Function text
	00SMC_MP/37.5	+SMC00_MP-37X1	5	BK	+SMC00_MP-37S3	5	00SMC_MP/37.5	
	00SMC_MP/37.5	+SMC00_MP-37X1	6	BN	+SMC00_MP-37S3	6	00SMC_MP/37.5	
Cable name			Cable type					
+SMC00-37W4			H05VV-F					
Function text			No. of conductors			Cross-section		Voltage Level
Mp>Bom Aşağı Durdurma (Açı)			3			1,5		
Function text	Page / column	Target designation from	Connection point	Conductor	Target designation to	Connection point	Page / column	Function text
	00SMC_MP/37.7	+SMC00_MP-37X1	7	BK	+SMC00_MP-37S4	5	00SMC_MP/37.7	
	00SMC_MP/37.7	+SMC00_MP-37X1	8	BN	+SMC00_MP-37S4	6	00SMC_MP/37.7	
Cable name			Cable type					
+SMC00-40W1			H05VV-F					
Function text			No. of conductors			Cross-section		Voltage Level
MP>Yürütme Motor1			4			6		
Function text	Page / column	Target designation from	Connection point	Conductor	Target designation to	Connection point	Page / column	Function text
	00SMC Yürütme Panosu/40X1	+SMC00 Yürütme Panosu-40X1	1:2	BK	+SMC00 Yürütme Panosu-40M1	U1	00SMC Yürütme Panosu/40X1	MP>Yürütme Motor 1
	00SMC Yürütme Panosu/40X1	+SMC00 Yürütme Panosu-40X1	2:2	BN	+SMC00 Yürütme Panosu-40M1	V1	00SMC Yürütme Panosu/40X1	MP>Yürütme Motor 1
	00SMC Yürütme Panosu/40X1	+SMC00 Yürütme Panosu-PE01	PE	GNYE	+SMC00 Yürütme Panosu-40M1	PE	00SMC Yürütme Panosu/40X1	MP>Yürütme Motor 1
	00SMC Yürütme Panosu/40X1	+SMC00 Yürütme Panosu-40X1	3:2	GY	+SMC00 Yürütme Panosu-40M1	W1	00SMC Yürütme Panosu/40X1	MP>Yürütme Motor 1
Cable name			Cable type					
+SMC00-40W2			H05VV-F					
Function text			No. of conductors			Cross-section		Voltage Level
MP>Yürütme Motor2			4			6		
Function text	Page / column	Target designation from	Connection point	Conductor	Target designation to	Connection point	Page / column	Function text
	00SMC Yürütme Panosu/40X1	+SMC00 Yürütme Panosu-40X1	4:2	BK	+SMC00 Yürütme Panosu-40M2	U1	00SMC Yürütme Panosu/40X1	MP>Yürütme Motor 2
	00SMC Yürütme Panosu/40X1	+SMC00 Yürütme Panosu-40X1	5:2	BN	+SMC00 Yürütme Panosu-40M2	V1	00SMC Yürütme Panosu/40X1	MP>Yürütme Motor 2
	00SMC Yürütme Panosu/40X1	+SMC00 Yürütme Panosu-PE01	PE	GNYE	+SMC00 Yürütme Panosu-40M2	PE	00SMC Yürütme Panosu/40X1	MP>Yürütme Motor 2

Cable name			+SMC00-40W2			Cable type			H05VV-F						
Function text			MP>Yürütme Motor2			No. of conductors			4		Cross-section		6	Voltage Level	
Function text		Page / column	Target designation from		Connection point	Conductor	Target designation to		Connection point	Page / column		Function text			
		00SMC Yürütme Panosu/40.1	+SMC00 Yürütme Panosu-40X1		6:2	GY	+SMC00 Yürütme Panosu-40M2		W1	00SMC Yürütme Panosu/40.1		Yürütme Motor 2			
Cable name			+SMC00-40W3			Cable type			H05VV-F						
Function text			MP>Yürütme Motor3			No. of conductors			4		Cross-section		6	Voltage Level	
Function text		Page / column	Target designation from		Connection point	Conductor	Target designation to		Connection point	Page / column		Function text			
		00SMC Yürütme Panosu/40.1	+SMC00 Yürütme Panosu-40X1		7:2	BK	+SMC00 Yürütme Panosu-40M3		U1	00SMC Yürütme Panosu/40.1		Yürütme Motor 1			
		00SMC Yürütme Panosu/40.1	+SMC00 Yürütme Panosu-40X1		8:2	BN	+SMC00 Yürütme Panosu-40M3		V1	00SMC Yürütme Panosu/40.1		Yürütme Motor 1			
		00SMC Yürütme Panosu/40.1	+SMC00 Yürütme Panosu-PE01		PE	GNYE	+SMC00 Yürütme Panosu-40M3		PE	00SMC Yürütme Panosu/40.1		Yürütme Motor 1			
		00SMC Yürütme Panosu/40.1	+SMC00 Yürütme Panosu-40X1		9:2	GY	+SMC00 Yürütme Panosu-40M3		W1	00SMC Yürütme Panosu/40.1		Yürütme Motor 1			
Cable name			+SMC00-40W4			Cable type			H05VV-F						
Function text			MP>Yürütme Motor4			No. of conductors			4		Cross-section		6	Voltage Level	
Function text		Page / column	Target designation from		Connection point	Conductor	Target designation to		Connection point	Page / column		Function text			
		00SMC Slipring/1.6	+		1	BK	+SMC00 Sol Joystik Panosu-6S3		2	00SMC Sol Joystik Panosu/6.7					
		00SMC Slipring/1.7	+		2	BK	+SMC00 Sol Joystik Panosu-6S3		2	00SMC Sol Joystik Panosu/6.8					
		00SMC Yürütme Panosu/40.1	+SMC00 Yürütme Panosu-40X1		10:2	BK	+SMC00 Yürütme Panosu-40M4		U1	00SMC Yürütme Panosu/40.1		Yürütme Motor 2			
		00SMC Yürütme Panosu/40.1	+SMC00 Yürütme Panosu-40X1		11:2	BN	+SMC00 Yürütme Panosu-40M4		V1	00SMC Yürütme Panosu/40.1		Yürütme Motor 2			
		00SMC Yürütme Panosu/40.1	+SMC00 Yürütme Panosu-PE01		PE	GNYE	+SMC00 Yürütme Panosu-40M4		PE	00SMC Yürütme Panosu/40.1		Yürütme Motor 2			
		00SMC Yürütme Panosu/40.1	+SMC00 Yürütme Panosu-40X1		12:2	GY	+SMC00 Yürütme Panosu-40M4		W1	00SMC Yürütme Panosu/40.1		Yürütme Motor 2			
Cable name			+SMC00-40W5			Cable type			H05VV-F						
Function text			MP>Yürütme sürücü 1 Frenleme Direnci (R+)			No. of conductors			1		Cross-section		16	Voltage Level	
Function text		Page / column	Target designation from		Connection point	Conductor	Target designation to		Connection point	Page / column		Function text			
		00SMC Yürütme Panosu/40.1	+SMC00 Yürütme Panosu-40X1		13	BK	+SMC00 Yürütme Panosu-40R		x2	00SMC Yürütme Panosu/40.1		Yürütme1 Frenleme Direnci			
Cable name			+SMC00-40W6			Cable type			H05VV-F						
Function text			MP>Yürütme sürücü 1 Frenleme Direnci (R-)			No. of conductors			1		Cross-section		16	Voltage Level	
Function text		Page / column	Target designation from		Connection point	Conductor	Target designation to		Connection point	Page / column		Function text			
		00SMC Yürütme Panosu/40.1	+SMC00 Yürütme Panosu-40X1		14	BK	+SMC00 Yürütme Panosu-40R		x1	00SMC Yürütme Panosu/40.1		Yürütme1 Frenleme Direnci			

Cable name			Cable type					
Function text			No. of conductors		Cross-section		Voltage Level	
Function text	Page / column	Target designation from	Connection point	Conductor	Target designation to	Connection point	Page / column	Function text
+SMC00-40W7			H05VV-F					
MP>Yürütme sürücü 1 Frenleme Direnci (PE)			1		10			
Yürütme1 Frenleme Direnci	00SMC Yürütme Panosu/40.8	+SMC00 Yürütme Panosu-40R	PE	BK	+SMC00 Yürütme Panosu-PE01	PE	00SMC Yürütme Panosu/40.8	
Cable name			Cable type					
Function text			No. of conductors		Cross-section		Voltage Level	
Function text	Page / column	Target designation from	Connection point	Conductor	Target designation to	Connection point	Page / column	Function text
+SMC00-41W1			H05VV-F					
MP>Yürütme Motor5			4		6			
	00SMC Yürütme Panosu/40.8	+SMC00 Yürütme Panosu-41X1	1:2	BK	+SMC00 Yürütme Panosu-40M1	U1	00SMC Yürütme Panosu/40.8	Yürütme Motor 5
	00SMC Yürütme Panosu/40.8	+SMC00 Yürütme Panosu-41X1	2:2	BN	+SMC00 Yürütme Panosu-40M1	V1	00SMC Yürütme Panosu/40.8	Yürütme Motor 5
	00SMC Yürütme Panosu/40.8	+SMC00 Yürütme Panosu-PE01	PE	GNYE	+SMC00 Yürütme Panosu-40M1	PE	00SMC Yürütme Panosu/40.8	Yürütme Motor 5
	00SMC Yürütme Panosu/40.8	+SMC00 Yürütme Panosu-41X1	3:2	GY	+SMC00 Yürütme Panosu-40M1	W1	00SMC Yürütme Panosu/40.8	Yürütme Motor 5
Cable name			Cable type					
Function text			No. of conductors		Cross-section		Voltage Level	
Function text	Page / column	Target designation from	Connection point	Conductor	Target designation to	Connection point	Page / column	Function text
+SMC00-41W2			H05VV-F					
MP>Yürütme Motor6			4		6			
	00SMC Yürütme Panosu/40.8	+SMC00 Yürütme Panosu-41X1	4:2	BK	+SMC00 Yürütme Panosu-40M2	U1	00SMC Yürütme Panosu/40.8	Yürütme Motor 6
	00SMC Yürütme Panosu/40.8	+SMC00 Yürütme Panosu-41X1	5:2	BN	+SMC00 Yürütme Panosu-40M2	V1	00SMC Yürütme Panosu/40.8	Yürütme Motor 6
	00SMC Yürütme Panosu/40.8	+SMC00 Yürütme Panosu-PE01	PE	GNYE	+SMC00 Yürütme Panosu-40M2	PE	00SMC Yürütme Panosu/40.8	Yürütme Motor 6
	00SMC Yürütme Panosu/40.8	+SMC00 Yürütme Panosu-41X1	6:2	GY	+SMC00 Yürütme Panosu-40M2	W1	00SMC Yürütme Panosu/40.8	Yürütme Motor 6
Cable name			Cable type					
Function text			No. of conductors		Cross-section		Voltage Level	
Function text	Page / column	Target designation from	Connection point	Conductor	Target designation to	Connection point	Page / column	Function text
+SMC00-41W3			H05VV-F					
MP>Yürütme Motor7			4		6			
	00SMC Yürütme Panosu/40.8	+SMC00 Yürütme Panosu-41X1	7:2	BK	+SMC00 Yürütme Panosu-40M3	U1	00SMC Yürütme Panosu/40.8	Yürütme Motor 7
	00SMC Yürütme Panosu/40.8	+SMC00 Yürütme Panosu-41X1	8:2	BN	+SMC00 Yürütme Panosu-40M3	V1	00SMC Yürütme Panosu/40.8	Yürütme Motor 7
	00SMC Yürütme Panosu/40.8	+SMC00 Yürütme Panosu-PE01	PE	GNYE	+SMC00 Yürütme Panosu-40M3	PE	00SMC Yürütme Panosu/40.8	Yürütme Motor 7
	00SMC Yürütme Panosu/40.8	+SMC00 Yürütme Panosu-41X1	9:2	GY	+SMC00 Yürütme Panosu-40M3	W1	00SMC Yürütme Panosu/40.8	Yürütme Motor 7

Cable name			Cable type						
Function text			No. of conductors			Cross-section		Voltage Level	
Function text	Page / column	Target designation from	Connection point	Conductor	Target designation to	Connection point	Page / column	Function text	
+SMC00-41W4			H05VV-F						
MP>Yürütme Motor8			4			6			
	00SMC Yürütme Panosu/41.8	+SMC00 Yürütme Panosu-41X1	10:2	BK	+SMC00 Yürütme Panosu-40M4	U1	00SMC Yürütme Panosu/41.8	Yürütme Motor 8	
	00SMC Yürütme Panosu/41.8	+SMC00 Yürütme Panosu-41X1	11:2	BN	+SMC00 Yürütme Panosu-40M4	V1	00SMC Yürütme Panosu/41.8	Yürütme Motor 8	
	00SMC Yürütme Panosu/41.8	+SMC00 Yürütme Panosu-PE01	PE	GNYE	+SMC00 Yürütme Panosu-40M4	PE	00SMC Yürütme Panosu/41.8	Yürütme Motor 8	
	00SMC Yürütme Panosu/41.8	+SMC00 Yürütme Panosu-41X1	12:2	GY	+SMC00 Yürütme Panosu-40M4	W1	00SMC Yürütme Panosu/41.8	Yürütme Motor 8	
+SMC00-41W5			H05VV-F						
MP>Yürütme sürücü 2 Frenleme Direnci (R+)			1			16			
	00SMC Yürütme Panosu/41.8	+SMC00 Yürütme Panosu-41X1	13	BK	+SMC00 Yürütme Panosu-41R	x2	00SMC Yürütme Panosu/41.8	Yürütme2 Frenleme Direnci	
+SMC00-41W6			H05VV-F						
MP>Yürütme sürücü 2 Frenleme Direnci (R-)			1			16			
	00SMC Yürütme Panosu/41.8	+SMC00 Yürütme Panosu-41X1	14	BK	+SMC00 Yürütme Panosu-41R	x1	00SMC Yürütme Panosu/41.8	Yürütme2 Frenleme Direnci	
+SMC00-41W7			H05VV-F						
MP>Yürütme sürücü 2 Frenleme Direnci (PE)			1			10			
Yürütme2 Frenleme Direnci	00SMC Yürütme Panosu/41.8	+SMC00 Yürütme Panosu-41R	PE	BK	+SMC00 Yürütme Panosu-PE01	PE	00SMC Yürütme Panosu/41.8		
+SMC00-42W1			H05VV-F						
MP>Yürütme Fren Ön Ayak Sol1			3			1,5			
	00SMC Yürütme Panosu/42.3	+SMC00 Yürütme Panosu-42X1	1	BK	+SMC00 Yürütme Panosu-42V1	~	00SMC Yürütme Panosu/42.3		
	00SMC Yürütme Panosu/42.3	+SMC00 Yürütme Panosu-42X1	2	BN	+SMC00 Yürütme Panosu-42V1	~	00SMC Yürütme Panosu/42.3		

Cable name +SMC00-42W2			Cable type H05VV-F						
Function text MP>Yürütme Fren Ön Ayak Sol2			No. of conductors 3			Cross-section 1,5		Voltage Level	
Function text	Page / column	Target designation from	Connection point	Conductor	Target designation to	Connection point	Page / column	Function text	
	00SMC Yürütme Panosu/42	SMC00 Yürütme Panosu-42X1	3	BK	+SMC00 Yürütme Panosu-42V2	~	00SMC Yürütme Panosu/42.4		
	00SMC Yürütme Panosu/42	SMC00 Yürütme Panosu-42X1	4	BN	+SMC00 Yürütme Panosu-42V2	~	00SMC Yürütme Panosu/42.4		
Cable name +SMC00-42W3			Cable type H05VV-F						
Function text MP>Yürütme Fren Ön Ayak Sağ1			No. of conductors 3			Cross-section 1,5		Voltage Level	
Function text	Page / column	Target designation from	Connection point	Conductor	Target designation to	Connection point	Page / column	Function text	
	00SMC Yürütme Panosu/42	SMC00 Yürütme Panosu-42X1	5	BK	+SMC00 Yürütme Panosu-42V3	~	00SMC Yürütme Panosu/42.6		
	00SMC Yürütme Panosu/42	SMC00 Yürütme Panosu-42X1	6	BN	+SMC00 Yürütme Panosu-42V3	~	00SMC Yürütme Panosu/42.6		
Cable name +SMC00-42W4			Cable type H05VV-F						
Function text MP>Yürütme Fren Ön Ayak Sağ2			No. of conductors 3			Cross-section 1,5		Voltage Level	
Function text	Page / column	Target designation from	Connection point	Conductor	Target designation to	Connection point	Page / column	Function text	
	00SMC Yürütme Panosu/42	SMC00 Yürütme Panosu-42X1	7	BK	+SMC00 Yürütme Panosu-42V4	~	00SMC Yürütme Panosu/42.7		
	00SMC Yürütme Panosu/42	SMC00 Yürütme Panosu-42X1	8	BN	+SMC00 Yürütme Panosu-42V4	~	00SMC Yürütme Panosu/42.7		
Cable name +SMC00-43W1			Cable type H05VV-F						
Function text MP>Yürütme Fren Arka Ayak Sol5			No. of conductors 3			Cross-section 1,5		Voltage Level	
Function text	Page / column	Target designation from	Connection point	Conductor	Target designation to	Connection point	Page / column	Function text	
	00SMC Yürütme Panosu/43	SMC00 Yürütme Panosu-43X1	1	BK	+SMC00 Yürütme Panosu-43V1	~	00SMC Yürütme Panosu/43.2		
	00SMC Yürütme Panosu/43	SMC00 Yürütme Panosu-43X1	2	BN	+SMC00 Yürütme Panosu-43V1	~	00SMC Yürütme Panosu/43.2		
Cable name +SMC00-43W2			Cable type H05VV-F						
Function text MP>Yürütme Fren Arka Ayak Sol6			No. of conductors 3			Cross-section 1,5		Voltage Level	
Function text	Page / column	Target designation from	Connection point	Conductor	Target designation to	Connection point	Page / column	Function text	
	00SMC Yürütme Panosu/43	SMC00 Yürütme Panosu-43X1	3	BK	+SMC00 Yürütme Panosu-43V2	~	00SMC Yürütme Panosu/43.4		
	00SMC Yürütme Panosu/43	SMC00 Yürütme Panosu-43X1	4	BN	+SMC00 Yürütme Panosu-43V2	~	00SMC Yürütme Panosu/43.4		

Cable name +SMC00-43W3			Cable type H05VV-F						
Function text MP>Yürütme Fren Arka Ayak Sağ7			No. of conductors 3			Cross-section 1,5		Voltage Level	
Function text	Page / column	Target designation from	Connection point	Conductor	Target designation to	Connection point	Page / column	Function text	
	00SMC Yürütme Panosu/43.5	+SMC00 Yürütme Panosu-43X1	5	BK	+SMC00 Yürütme Panosu-43V3	~	00SMC Yürütme Panosu/43.5		
	00SMC Yürütme Panosu/43.6	+SMC00 Yürütme Panosu-43X1	6	BN	+SMC00 Yürütme Panosu-43V3	~	00SMC Yürütme Panosu/43.6		
Cable name +SMC00-43W4			Cable type H05VV-F						
Function text MP>Yürütme Fren Arka Ayak Sağ8			No. of conductors 3			Cross-section 1,5		Voltage Level	
Function text	Page / column	Target designation from	Connection point	Conductor	Target designation to	Connection point	Page / column	Function text	
	00SMC Yürütme Panosu/43.7	+SMC00 Yürütme Panosu-43X1	7	BK	+SMC00 Yürütme Panosu-48V4	~	00SMC Yürütme Panosu/43.7		
	00SMC Yürütme Panosu/43.7	+SMC00 Yürütme Panosu-43X1	8	BN	+SMC00 Yürütme Panosu-48V4	~	00SMC Yürütme Panosu/43.7		
Cable name +SMC00-46W1			Cable type H05VV-F						
Function text Yürütme Pano>Yürütme Limit Siviç			No. of conductors 5			Cross-section 1,5		Voltage Level	
Function text	Page / column	Target designation from	Connection point	Conductor	Target designation to	Connection point	Page / column	Function text	
	00SMC Yürütme Panosu/46.1	+SMC00 Yürütme Panosu-46X1	1	BK	+SMC00 Yürütme Panosu-46S1	11	00SMC Yürütme Panosu/46.1	Stop	
	00SMC Yürütme Panosu/46.1	+SMC00 Yürütme Panosu-46X1	2	BN	+SMC00 Yürütme Panosu-46S1	12	00SMC Yürütme Panosu/46.1	Stop	
	00SMC Yürütme Panosu/46.2	+SMC00 Yürütme Panosu-46X1	4	BU	+SMC00 Yürütme Panosu-46S1	2	00SMC Yürütme Panosu/46.2	Slowdown	
	00SMC Yürütme Panosu/46.3	+SMC00 Yürütme Panosu-46X1	5	GNYE	+SMC00 Yürütme Panosu-46S1	2	00SMC Yürütme Panosu/46.3	Slowdown	
	00SMC Yürütme Panosu/46.2	+SMC00 Yürütme Panosu-46X1	3	GY	+SMC00 Yürütme Panosu-46S1	2	00SMC Yürütme Panosu/46.2	Stop	
Cable name +SMC00-46W2			Cable type H05VV-F						
Function text Yürütme Pano>Yürütme Sol Ön Ayak Durdurma			No. of conductors 4			Cross-section 1,5		Voltage Level	
Function text	Page / column	Target designation from	Connection point	Conductor	Target designation to	Connection point	Page / column	Function text	
	00SMC Yürütme Panosu/46.4	+SMC00 Yürütme Panosu-46X1	6	BK	+SMC00 Yürütme Panosu-46S2	4	00SMC Yürütme Panosu/46.4		
	00SMC Yürütme Panosu/46.4	+SMC00 Yürütme Panosu-46X1	7	BN	+SMC00 Yürütme Panosu-46S2	1	00SMC Yürütme Panosu/46.4		
	00SMC Yürütme Panosu/46.4	+SMC00 Yürütme Panosu-46X1	8	BU	+SMC00 Yürütme Panosu-46S2	3	00SMC Yürütme Panosu/46.4		
Cable name +SMC00-46W3			Cable type H05VV-F						
Function text Yürütme Pano>Yürütme Sağ Ön Ayak Durdurma			No. of conductors 4			Cross-section 1,5		Voltage Level	
Function text	Page / column	Target designation from	Connection point	Conductor	Target designation to	Connection point	Page / column	Function text	
	00SMC Yürütme Panosu/46.6	+SMC00 Yürütme Panosu-46X1	9	BK	+SMC00 Yürütme Panosu-46S3	4	00SMC Yürütme Panosu/46.6		

Cable name		+SMC00-46W3		Cable type		H05VV-F					
Function text		Yürütme Pano>Yürütme Sağ Ön Ayak Durdurma		No. of conductors		4		Cross-section 1,5		Voltage Level	
Function text	Page / column	Target designation from	Connection point	Conductor	Target designation to	Connection point	Page / column	Function text			
	00SMC Yürütme Panosu/46.6	+SMC00 Yürütme Panosu-46X1	10	BN	+SMC00 Yürütme Panosu-46S3	1	00SMC Yürütme Panosu/46.6				
	00SMC Yürütme Panosu/46.6	+SMC00 Yürütme Panosu-46X1	11	BU	+SMC00 Yürütme Panosu-46S3	3	00SMC Yürütme Panosu/46.6				
Cable name		+SMC00-46W4		Cable type		H05VV-F					
Function text		Yürütme Pano>Yürütme Sol Arka Ayak Durdurma		No. of conductors		4		Cross-section 1,5		Voltage Level	
Function text	Page / column	Target designation from	Connection point	Conductor	Target designation to	Connection point	Page / column	Function text			
	00SMC Yürütme Panosu/46.7	+SMC00 Yürütme Panosu-46X1	12	BK	+SMC00 Yürütme Panosu-46S4	4	00SMC Yürütme Panosu/46.7				
	00SMC Yürütme Panosu/46.7	+SMC00 Yürütme Panosu-46X1	13	BN	+SMC00 Yürütme Panosu-46S4	1	00SMC Yürütme Panosu/46.7				
	00SMC Yürütme Panosu/46.7	+SMC00 Yürütme Panosu-46X1	14	BU	+SMC00 Yürütme Panosu-46S4	3	00SMC Yürütme Panosu/46.7				
Cable name		+SMC00-46W5		Cable type		H05VV-F					
Function text		Yürütme Pano>Yürütme Sağ Arka Ayak Durdurma		No. of conductors		4		Cross-section 1,5		Voltage Level	
Function text	Page / column	Target designation from	Connection point	Conductor	Target designation to	Connection point	Page / column	Function text			
	00SMC Yürütme Panosu/46.8	+SMC00 Yürütme Panosu-46X1	15	BK	+SMC00 Yürütme Panosu-46S5	4	00SMC Yürütme Panosu/46.8				
	00SMC Yürütme Panosu/46.8	+SMC00 Yürütme Panosu-46X1	16	BN	+SMC00 Yürütme Panosu-46S5	1	00SMC Yürütme Panosu/46.8				
	00SMC Yürütme Panosu/46.8	+SMC00 Yürütme Panosu-46X1	17	BU	+SMC00 Yürütme Panosu-46S5	3	00SMC Yürütme Panosu/46.8				
Cable name		+SMC00-47W1		Cable type		H05VV-F					
Function text		Yürütme Pano>Kablo Tambur Gerginlik Sivic1		No. of conductors		3		Cross-section 1,5		Voltage Level	
Function text	Page / column	Target designation from	Connection point	Conductor	Target designation to	Connection point	Page / column	Function text			
	00SMC Yürütme Panosu/47.1	+SMC00 Yürütme Panosu-47X1	1	BN	+SMC00 Yürütme Panosu-47S1	11	00SMC Yürütme Panosu/47.1	Stop			
	00SMC Yürütme Panosu/47.1	+SMC00 Yürütme Panosu-47X1	2	BU	+SMC00 Yürütme Panosu-47S1	12	00SMC Yürütme Panosu/47.1	Stop			
Cable name		+SMC00-47W2		Cable type		H05VV-F					
Function text		Yürütme Pano>Kablo Tambur Gerginlik Sivic2		No. of conductors		3		Cross-section 1,5		Voltage Level	
Function text	Page / column	Target designation from	Connection point	Conductor	Target designation to	Connection point	Page / column	Function text			
	00SMC Yürütme Panosu/47.2	+SMC00 Yürütme Panosu-47X1	3	BN	+SMC00 Yürütme Panosu-47S2	1	00SMC Yürütme Panosu/47.2	Stop			
	00SMC Yürütme Panosu/47.2	+SMC00 Yürütme Panosu-47X1	4	BU	+SMC00 Yürütme Panosu-47S2	2	00SMC Yürütme Panosu/47.2	Stop			

Cable name +SMC00-47W3			Cable type H05VV-F						
Function text Yürütme Pano>Kablo Salma Sensör 1			No. of conductors 4			Cross-section 1,5		Voltage Level	
Function text	Page / column	Target designation from	Connection point	Conductor	Target designation to	Connection point	Page / column	Function text	
	00SMC Yürütme Panosu/47.6	+SMC00 Yürütme Panosu-47X1	5	BK	+SMC00 Yürütme Panosu-47S3	2	00SMC Yürütme Panosu/47.6		
	00SMC Yürütme Panosu/47.6	+SMC00 Yürütme Panosu-47X1	6	BN	+SMC00 Yürütme Panosu-47S3	1	00SMC Yürütme Panosu/47.6		
Cable name +SMC00-47W4			Cable type H05VV-F						
Function text Yürütme Pano>Kablo Salma Sensör 2			No. of conductors 4			Cross-section 1,5		Voltage Level	
Function text	Page / column	Target designation from	Connection point	Conductor	Target designation to	Connection point	Page / column	Function text	
	00SMC Yürütme Panosu/47.8	+SMC00 Yürütme Panosu-47X1	8	BK	+SMC00 Yürütme Panosu-47S4	2	00SMC Yürütme Panosu/47.8		
	00SMC Yürütme Panosu/47.8	+SMC00 Yürütme Panosu-47X1	9	BN	+SMC00 Yürütme Panosu-47S4	1	00SMC Yürütme Panosu/47.8		
	00SMC Yürütme Panosu/47.8	+SMC00 Yürütme Panosu-47X1	10	GY	+SMC00 Yürütme Panosu-47S4	3	00SMC Yürütme Panosu/47.8		
Cable name +SMC00-48W1			Cable type H05VV-F						
Function text Yürütme Pano>Kablo Tambur Sivici			No. of conductors 5			Cross-section 1,5		Voltage Level	
Function text	Page / column	Target designation from	Connection point	Conductor	Target designation to	Connection point	Page / column	Function text	
	00SMC Yürütme Panosu/48.5	+SMC00 Yürütme Panosu-48X1	1	BK	+SMC00 Yürütme Panosu-48S1	11	00SMC Yürütme Panosu/48.5	48.5 Stop	
	00SMC Yürütme Panosu/48.5	+SMC00 Yürütme Panosu-48X1	2	BN	+SMC00 Yürütme Panosu-48S1	12	00SMC Yürütme Panosu/48.5	48.5 Stop	
	00SMC Yürütme Panosu/48.5	+SMC00 Yürütme Panosu-48X1	4	BU	+SMC00 Yürütme Panosu-48S1	2	00SMC Yürütme Panosu/48.5	48.5 Slowdown	
	00SMC Yürütme Panosu/48.5	+SMC00 Yürütme Panosu-48X1	5	GNYE	+SMC00 Yürütme Panosu-48S1	2	00SMC Yürütme Panosu/48.5	48.5 Slowdown	
	00SMC Yürütme Panosu/48.5	+SMC00 Yürütme Panosu-48X1	3	GY	+SMC00 Yürütme Panosu-48S1	2	00SMC Yürütme Panosu/48.5	48.5 Stop	
Cable name +SMC00-48W2			Cable type H05VV-F						
Function text Yürütme Pano>Vinç Kilit sivici			No. of conductors 3			Cross-section 1,5		Voltage Level	
Function text	Page / column	Target designation from	Connection point	Conductor	Target designation to	Connection point	Page / column	Function text	
	00SMC Yürütme Panosu/48.7	+SMC00 Yürütme Panosu-48X1	6	BN	+SMC00 Yürütme Panosu-48S2	11	00SMC Yürütme Panosu/48.7		
	00SMC Yürütme Panosu/48.7	+SMC00 Yürütme Panosu-48X1	7	BU	+SMC00 Yürütme Panosu-48S2	12	00SMC Yürütme Panosu/48.7		
Cable name +SMC00-49W1			Cable type H05VVF						
Function text Yürütme Pano>Ayak Kilitleme Pompa Motoru 1			No. of conductors 4			Cross-section 2,5		Voltage Level	
Function text	Page / column	Target designation from	Connection point	Conductor	Target designation to	Connection point	Page / column	Function text	
	00SMC Yürütme Panosu/49.2	+SMC00 Yürütme Panosu-49X1	1:2	BK	+SMC00 Yürütme Panosu-49M1	U1	00SMC Yürütme Panosu/49.2		

Cable name			Cable type						
Function text			No. of conductors			Cross-section		Voltage Level	
Function text	Page / column	Target designation from	Connection point	Conductor	Target designation to	Connection point	Page / column	Function text	
+SMC00-49W1			H05VVF						
Yürütme Pano>Ayak Kilitleme Pompa Motoru 1			4			2,5			
		00SMC Yürütme Panosu/49.2	2:2	BN	+SMC00 Yürütme Panosu-49M1	V1	00SMC Yürütme Panosu/49.2		
		00SMC Yürütme Panosu/49.2	PE	GNYE	+SMC00 Yürütme Panosu-49M1	PE	00SMC Yürütme Panosu/49.2		
		00SMC Yürütme Panosu/49.2	3:2	GY	+SMC00 Yürütme Panosu-49M1	W1	00SMC Yürütme Panosu/49.2		
+SMC00-49W2			H05VVF						
Yürütme Pano>Ayak Kilitleme Pompa Motoru 2			4			2,5			
		00SMC Yürütme Panosu/49.5	4:2	BK	+SMC00 Yürütme Panosu-49M2	U1	00SMC Yürütme Panosu/49.5		
		00SMC Yürütme Panosu/49.5	5:2	BN	+SMC00 Yürütme Panosu-49M2	V1	00SMC Yürütme Panosu/49.5		
		00SMC Yürütme Panosu/49.5	PE	GNYE	+SMC00 Yürütme Panosu-49M2	PE	00SMC Yürütme Panosu/49.5		
		00SMC Yürütme Panosu/49.5	6:2	GY	+SMC00 Yürütme Panosu-49M2	W1	00SMC Yürütme Panosu/49.5		
+SMC00-50W1			H05VV-F						
MP>Döndürme Motor 1			4			6			
		00SMC_MP/50.3	1:2	BK	+SMC00_MP-50M1	U1	00SMC_MP/50.3	Döndürme Motor 1	
		00SMC_MP/50.3	2:2	BN	+SMC00_MP-50M1	V1	00SMC_MP/50.3	Döndürme Motor 1	
		00SMC_MP/50.3	PE	GNYE	+SMC00_MP-50M1	PE	00SMC_MP/50.3	Döndürme Motor 1	
		00SMC_MP/50.3	3:2	GY	+SMC00_MP-50M1	W1	00SMC_MP/50.3	Döndürme Motor 1	
+SMC00-50W2			H05VV-F						
MP>Döndürme Motor 2			4			6			
		00SMC_MP/50.4	4:2	BK	+SMC00_MP-50M2	U1	00SMC_MP/50.4	Döndürme Motor 2	
		00SMC_MP/50.5	5:2	BN	+SMC00_MP-50M2	V1	00SMC_MP/50.4	Döndürme Motor 2	
		00SMC_MP/50.5	PE	GNYE	+SMC00_MP-50M2	PE	00SMC_MP/50.4	Döndürme Motor 2	
		00SMC_MP/50.5	6:2	GY	+SMC00_MP-50M2	W1	00SMC_MP/50.4	Döndürme Motor 2	

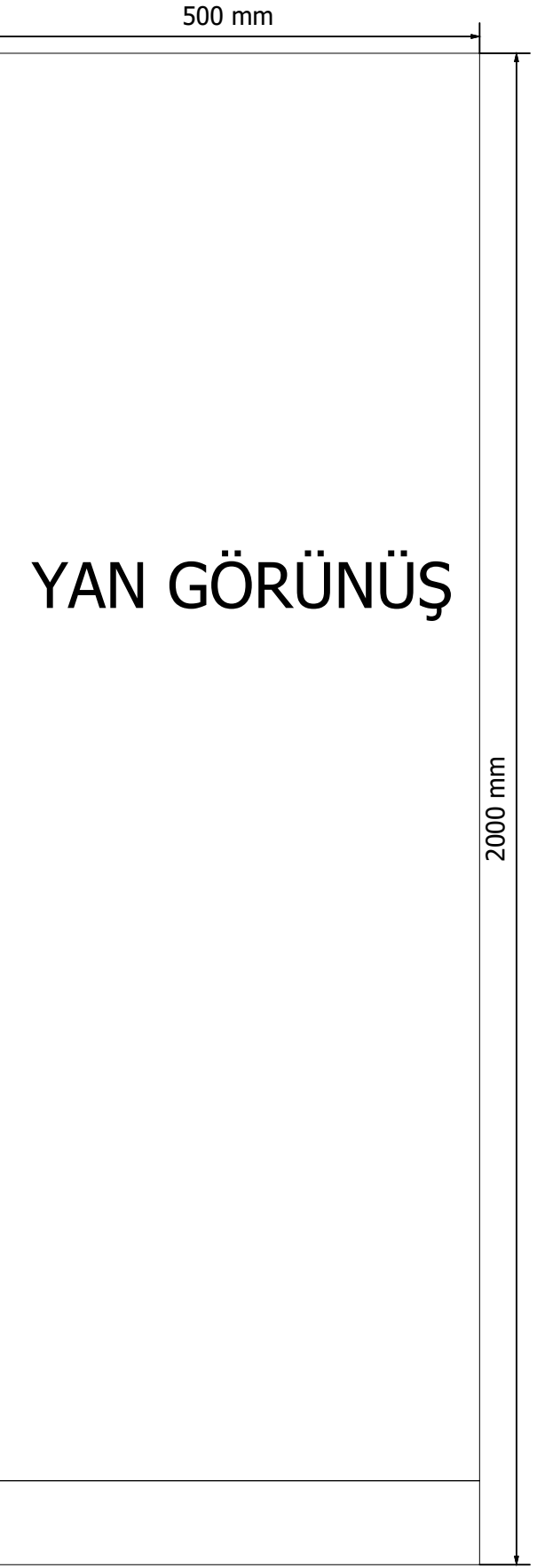
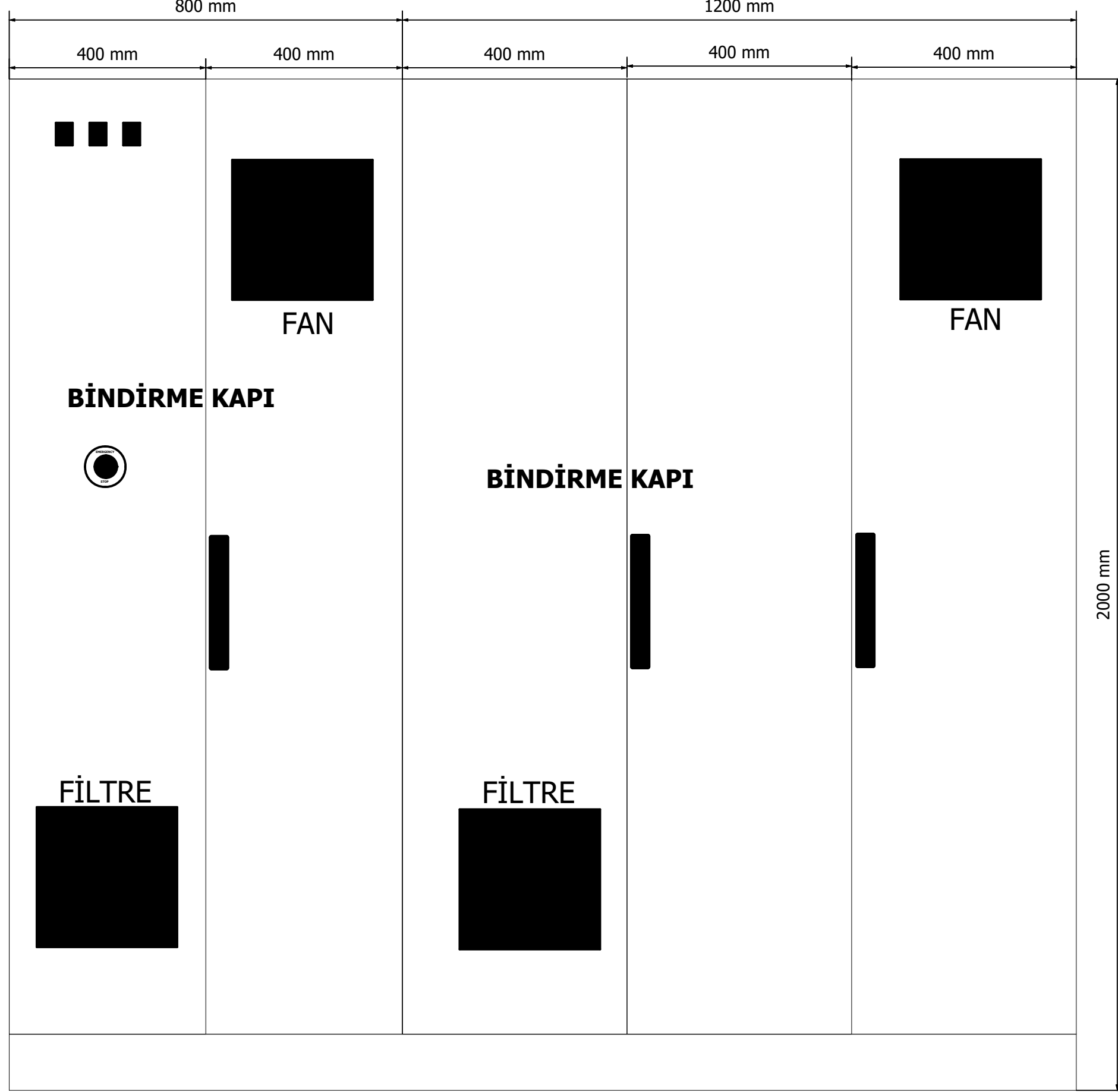
Cable name			+SMC00-50W3			Cable type			H05VV-F						
Function text			MP>Döndürme Frenleme Direnci			No. of conductors			3		Cross-section		2,5	Voltage Level	
Function text		Page / column	Target designation from		Connection point	Conductor	Target designation to		Connection point	Page / column		Function text			
		00SMC_MP/50.6	+SMC00_MP-50X1		7	BN	+SMC00_MP-50R		x2	00SMC_MP/50.6		Döndürme Frenleme Direnci			
		00SMC_MP/50.7	+SMC00_MP-PE01		PE	BU	+SMC00_MP-50R		PE	00SMC_MP/50.6		Döndürme Frenleme Direnci			
		00SMC_MP/50.6	+SMC00_MP-50X1		8	GY	+SMC00_MP-50R		x1	00SMC_MP/50.6		Döndürme Frenleme Direnci			
Cable name			+SMC00-51W1			Cable type			H05VV-F						
Function text			MP>Döndürme E.M.Fren 1			No. of conductors			3		Cross-section		1,5	Voltage Level	
Function text		Page / column	Target designation from		Connection point	Conductor	Target designation to		Connection point	Page / column		Function text			
		00SMC_MP/51.3	+SMC00_MP-51X1		1	BN	+SMC00_MP-51V1		~	00SMC_MP/51.3					
		00SMC_MP/51.4	+SMC00_MP-51X1		2	GY	+SMC00_MP-51V1		~	00SMC_MP/51.4					
Cable name			+SMC00-51W2			Cable type			H05VV-F						
Function text			MP>Döndürme E.M.Fren 2			No. of conductors			3		Cross-section		1,5	Voltage Level	
Function text		Page / column	Target designation from		Connection point	Conductor	Target designation to		Connection point	Page / column		Function text			
		00SMC_MP/51.5	+SMC00_MP-51X1		3	BN	+SMC00_MP-51V2		~	00SMC_MP/51.5					
		00SMC_MP/51.5	+SMC00_MP-51X1		4	GY	+SMC00_MP-51V2		~	00SMC_MP/51.5					
Cable name			+SMC00-62W1			Cable type			LIYCY						
Function text			Y.Kanca 0-10VDC Analog Referans			No. of conductors			2		Cross-section		0,75	Voltage Level	
Function text		Page / column	Target designation from		Connection point	Conductor	Target designation to		Connection point	Page / column		Function text			
		00SMC_MP/22.2	+SMC00_MP-20FC		XAI:4	BN	+SMC00_MP-61A1		10	00SMC_MP/62.1					
Cable name			+SMC00-62W2			Cable type			LIYCY						
Function text			A.Kanca 0-10VDC Analog Referans			No. of conductors			2		Cross-section		0,75	Voltage Level	
Function text		Page / column	Target designation from		Connection point	Conductor	Target designation to		Connection point	Page / column		Function text			
		00SMC_MP/12.2	+SMC00_MP-10FC		XAI:4	BN	+SMC00_MP-61A1		11	00SMC_MP/62.2					
		00SMC_MP/12.2	+SMC00_MP-10FC		XAI:5	WH	+SMC00_MP-20FC		XAI:5	00SMC_MP/22.2					
		00SMC_MP/12.2	+SMC00_MP-10FC		XAI:5	WH	+SMC00_MP-61A1		12	00SMC_MP/62.2					

Cable name		+SMC00-67W1		Cable type		LIYCY											
Function text		1.Yürütme_0-10VDC Analog Referans		No. of conductors		2		Cross-section		0,75		Voltage Level					
Function text		Page / column		Target designation from		Connection point		Conductor		Target designation to		Connection point		Page / column		Function text	
		00SMC Yürütme Panosu/45.2		+SMC00 Yürütme Panosu-40FC		XAI:4		BN		+SMC00 Yürütme Panosu-71A1		13		00SMC Yürütme Panosu/45.2		0-10V Analog	
		00SMC Yürütme Panosu/45.2		+SMC00 Yürütme Panosu-40FC		XAI:5		WH		+SMC00 Yürütme Panosu-71A1		17		00SMC Yürütme Panosu/71.4			
Cable name		+SMC00-67W2		Cable type		LIYCY											
Function text		2.Yürütme_0-10VDC Analog Referans		No. of conductors		2		Cross-section		0,75		Voltage Level					
Function text		Page / column		Target designation from		Connection point		Conductor		Target designation to		Connection point		Page / column		Function text	
-41FC 0-10V Analog		00SMC Yürütme Panosu/45.2		+SMC00 Yürütme Panosu-71A1		15		BN		+SMC00 Yürütme Panosu-41FC		XAI:4		00SMC Yürütme Panosu/45.2			
		00SMC Yürütme Panosu/45.2		+SMC00 Yürütme Panosu-40FC		XAI:5		WH		+SMC00 Yürütme Panosu-41FC		XAI:5		00SMC Yürütme Panosu/45.2			
Cable name		+SMC00-71W1		Cable type		LIYCY											
Function text		Ana Kanca Loadcell		No. of conductors		4		Cross-section		0,75		Voltage Level					
Function text		Page / column		Target designation from		Connection point		Conductor		Target designation to		Connection point		Page / column		Function text	
		00SMC OPK Panosu/3.7 +				ANALOG OUT		BN		+SMC00 _MP-71A1		2.0		00SMC _MP/71.2		Ana Kanca Loadcell	
Ana Kanca Loadcell		00SMC _MP/71.2		+SMC00 _MP-71A1		1.0		WH		+SMC00 _MP-71A1		1.9		00SMC _MP/71.7			
Cable name		+SMC00-71W2		Cable type		LIYCY											
Function text		Açı Sensörü1		No. of conductors		4		Cross-section		0,75		Voltage Level					
Function text		Page / column		Target designation from		Connection point		Conductor		Target designation to		Connection point		Page / column		Function text	
		00SMC _MP/71.3		+SMC00 _MP-71X1		1		BN		+SMC00 _MP-71A1		2.2		00SMC _MP/71.3		Açı Sensörü	
		00SMC _MP/71.3		+SMC00 _MP-71X1		2		WH		+SMC00 _MP-71A1		1.2		00SMC _MP/71.3		Açı Sensörü	
Cable name		+SMC00-71W3		Cable type		LIYCY											
Function text		Açı Sensörü 2		No. of conductors		4		Cross-section		0,75		Voltage Level					
Function text		Page / column		Target designation from		Connection point		Conductor		Target designation to		Connection point		Page / column		Function text	
		00SMC _MP/71.4		+SMC00 _MP-71X2		1		BN		+SMC00 _MP-71A1		2.4		00SMC _MP/71.4		Açı Sensörü	
		00SMC _MP/71.4		+SMC00 _MP-71X2		2		WH		+SMC00 _MP-71A1		1.4		00SMC _MP/71.4		Açı Sensörü	

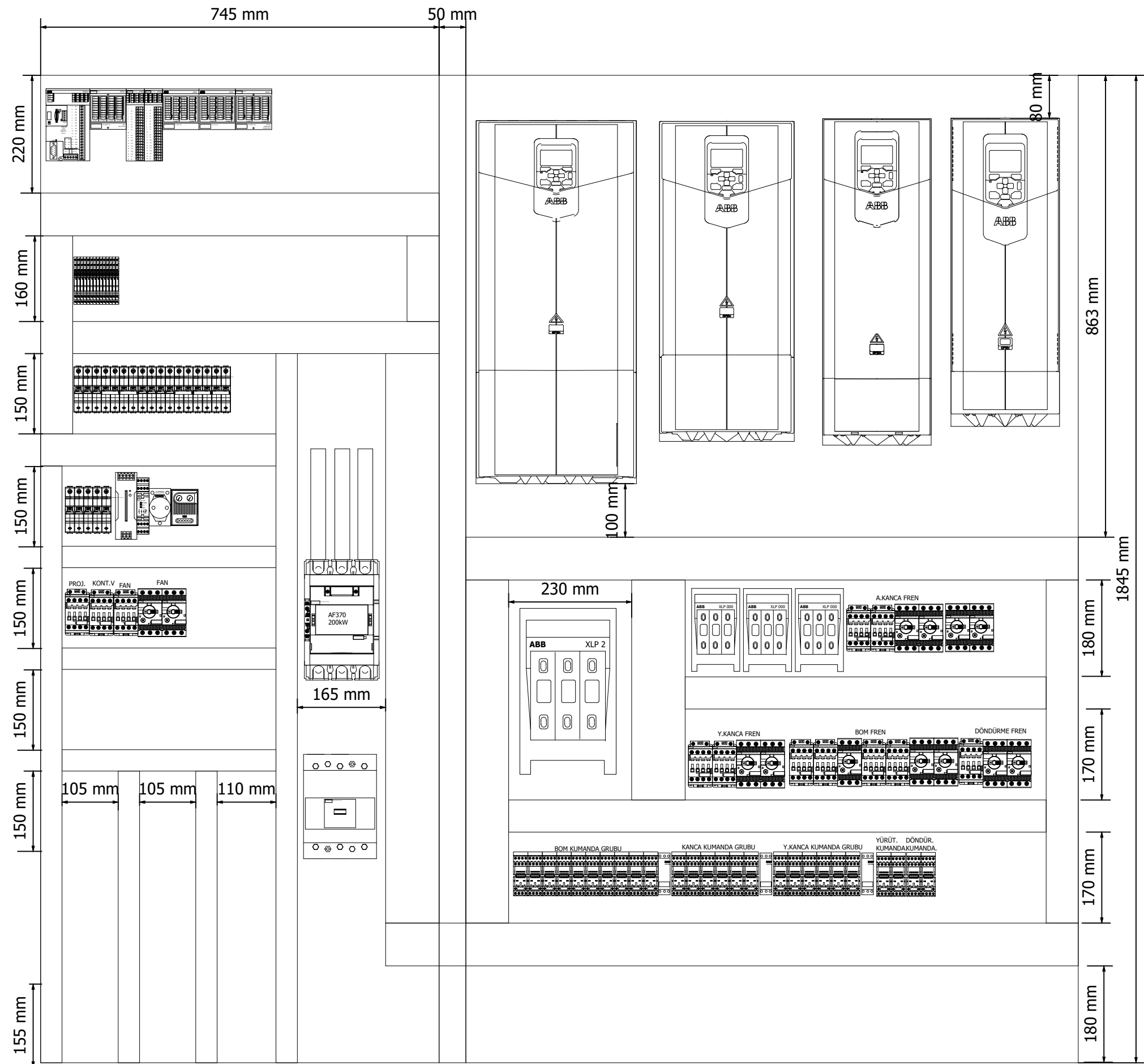
Cable name +SMC00-71W4			Cable type LIYCY						
Function text Rüzgar Gülü			No. of conductors 4			Cross-section 0,75		Voltage Level	
Function text	Page / column	Target designation from	Connection point	Conductor	Target designation to	Connection point	Page / column	Function text	
	00SMC_MP/71.6	+SMC00_MP-71X3	1	BN	+SMC00_MP-71A1	2.6	00SMC_MP/71.6	Rüzgar Gülü	
	00SMC_MP/71.6	+SMC00_MP-71X3	2	WH	+SMC00_MP-71A1	1.6	00SMC_MP/71.6	Rüzgar Gülü	
Cable name +SMC00-72W1			Cable type LIYCY						
Function text Bom 0-10VDC Analog Referans			No. of conductors 2			Cross-section 0,75		Voltage Level	
Function text	Page / column	Target designation from	Connection point	Conductor	Target designation to	Connection point	Page / column	Function text	
	00SMC_MP/32.2	+SMC00_MP-30FC	XAI:4	BN	+SMC00_MP-74A1	13	00SMC_MP/74.2		
	00SMC_MP/32.2	+SMC00_MP-30FC	XAI:5	WH	+SMC00_MP-74A1	17	00SMC_MP/74.3		
Cable name +SMC00-72W2			Cable type LIYCY						
Function text Döndürme 0-10VDC Analog Referans			No. of conductors 2			Cross-section 0,75		Voltage Level	
Function text	Page / column	Target designation from	Connection point	Conductor	Target designation to	Connection point	Page / column	Function text	
	00SMC_MP/52.2	+SMC00_MP-30FC	XAI:5	BN	+SMC00_MP-74A1	17	00SMC_MP/74.3		
	00SMC Sol Joystik Panosu-7X2	+SMC00 Sol Joystik Panosu-7X2	2	BN	+SMC00_MP-74A1	15	00SMC_MP/74.3		

ÖN GÖRÜNÜŞ

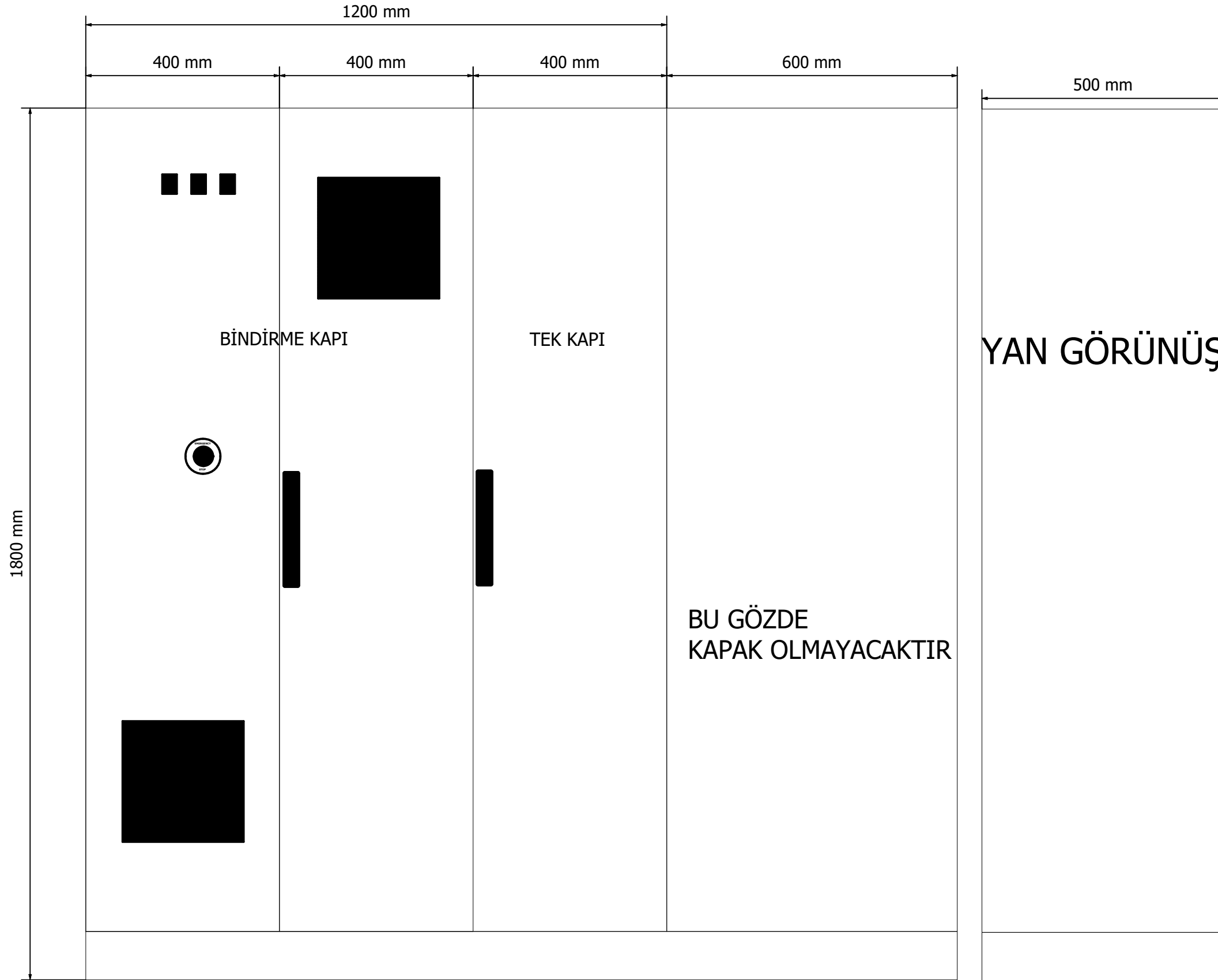
1200mm olan göz tek taban sacı olacaktır.



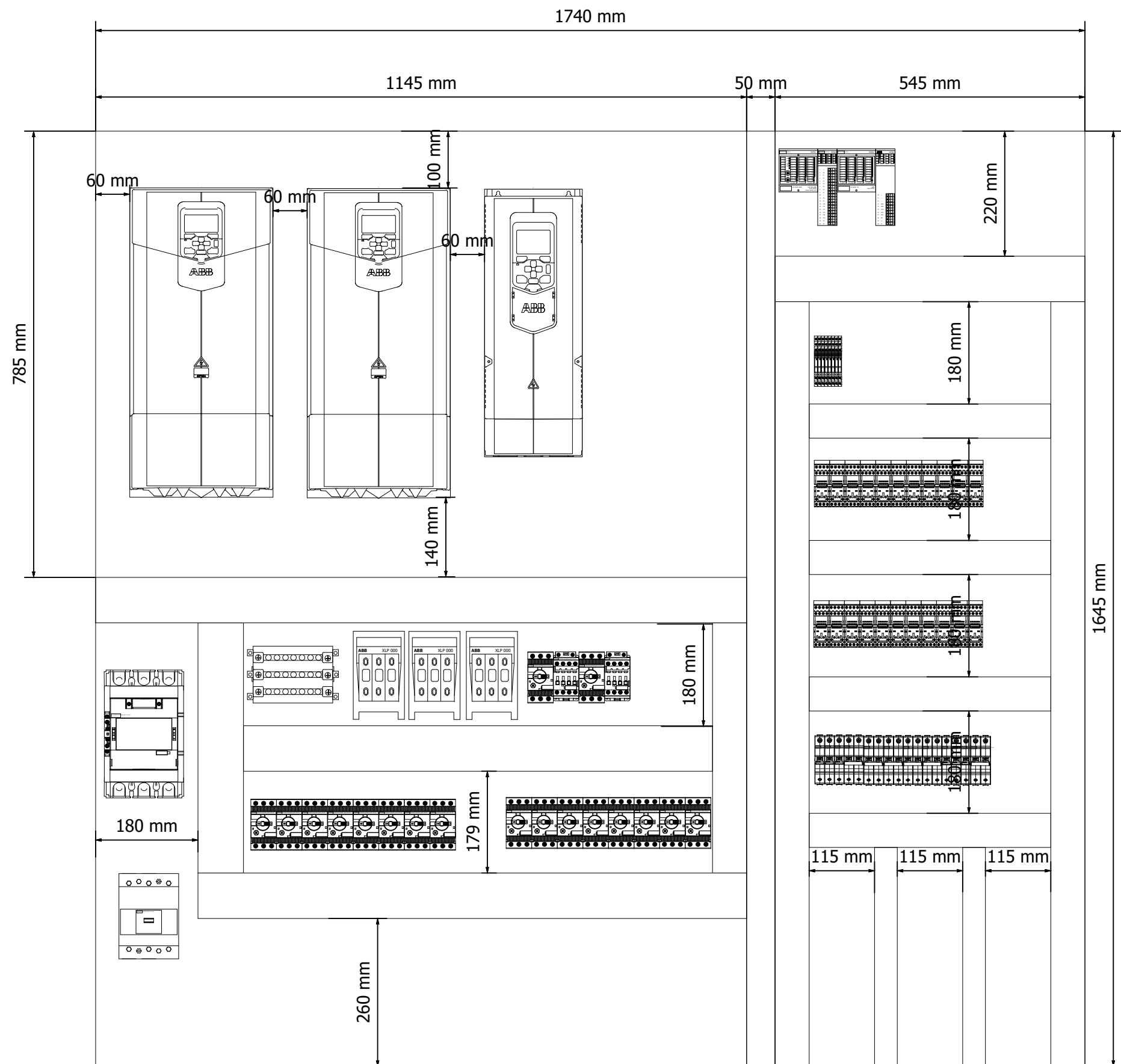
2000Y*(800+1200)G*500D

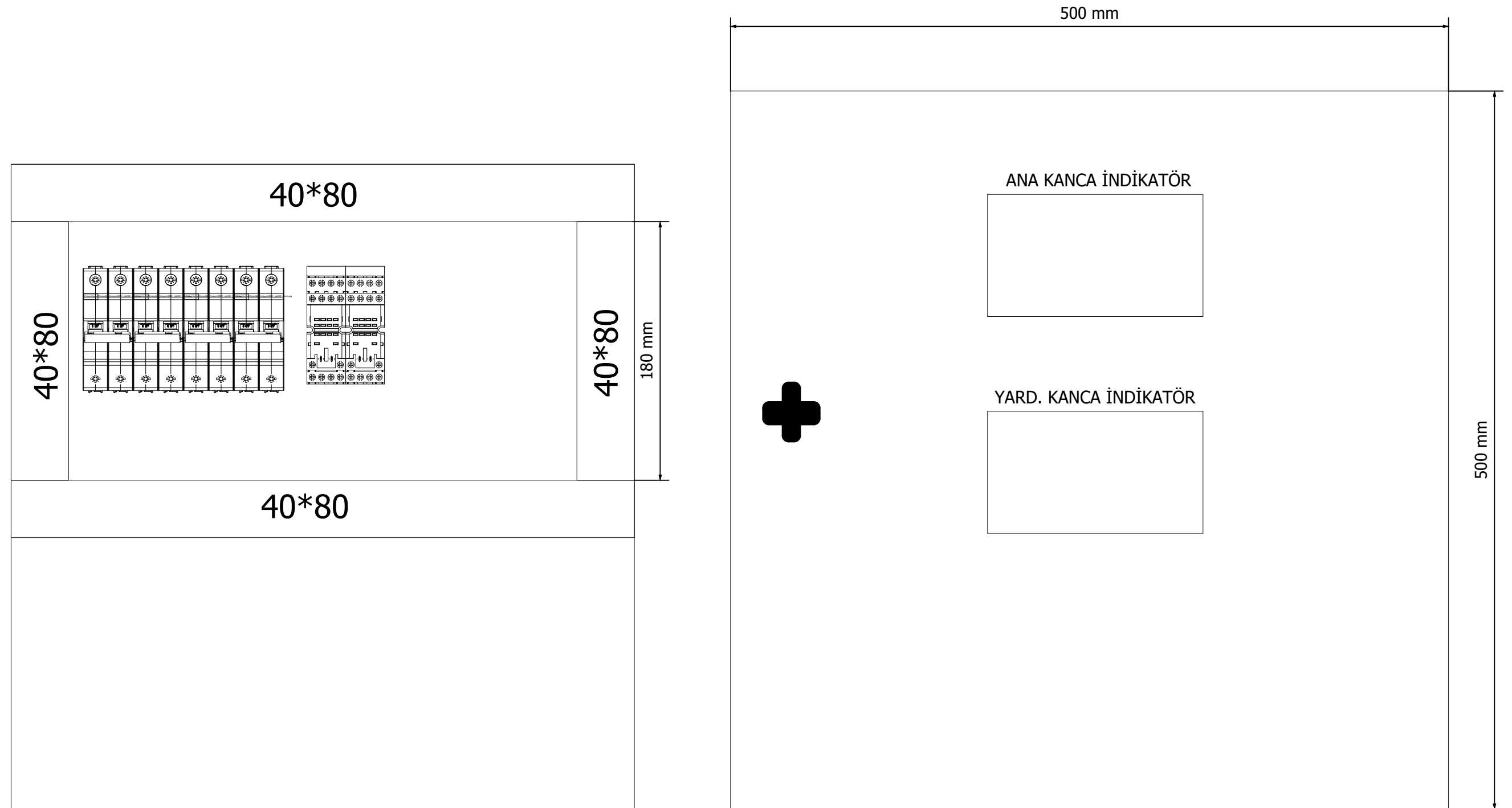


1200mm olan göz tek taban saclı olacaktır.

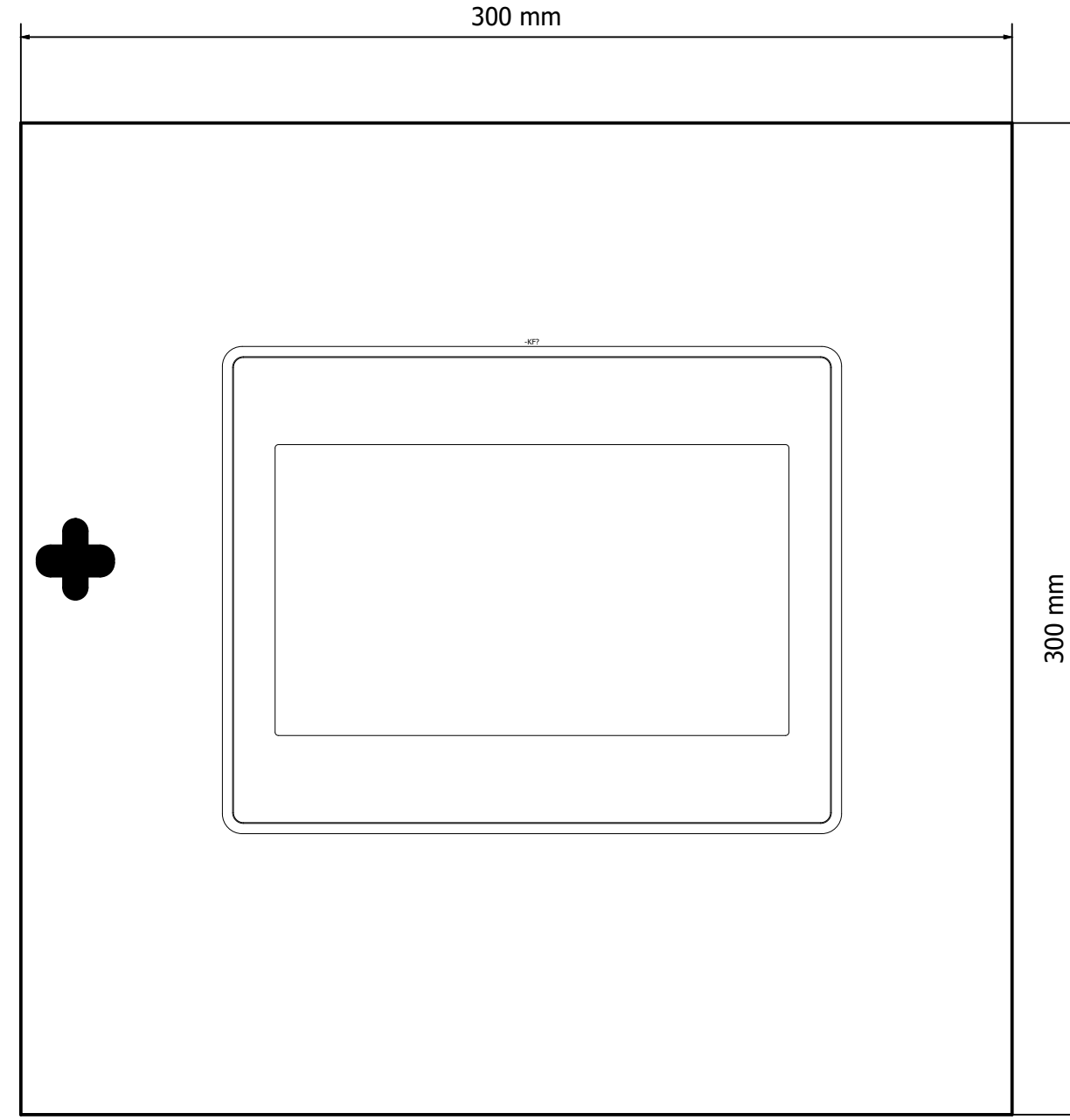


ÖN GÖRÜNÜŞ 1800Y*(1200+600)*500D

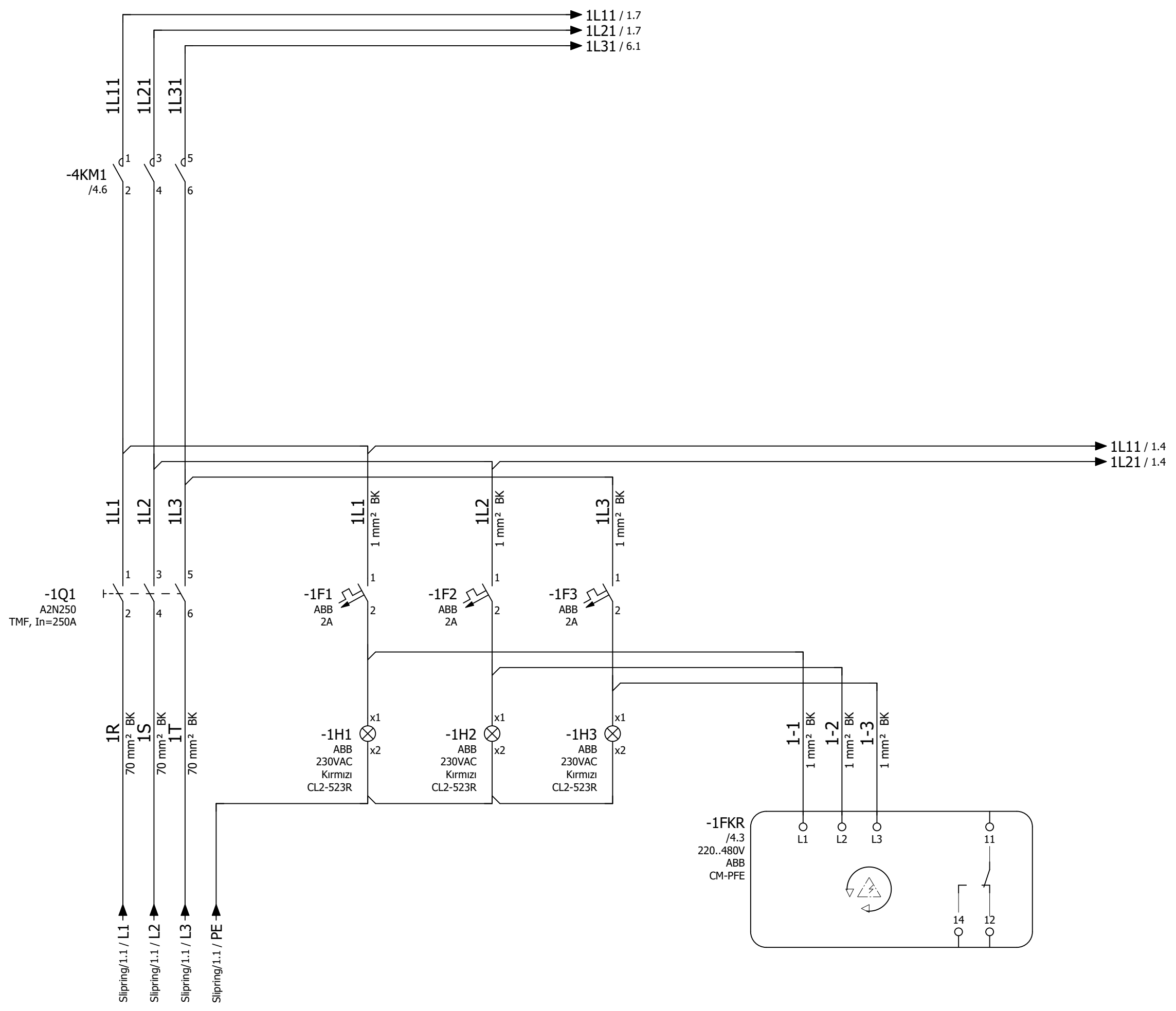




TEKPAN
101.266
500Y*500G*280D



300Y*300G*150D



EDITOR	Kemal OLGUN
DATE	23.01.23
CONTROLLER	T.AKALTUN

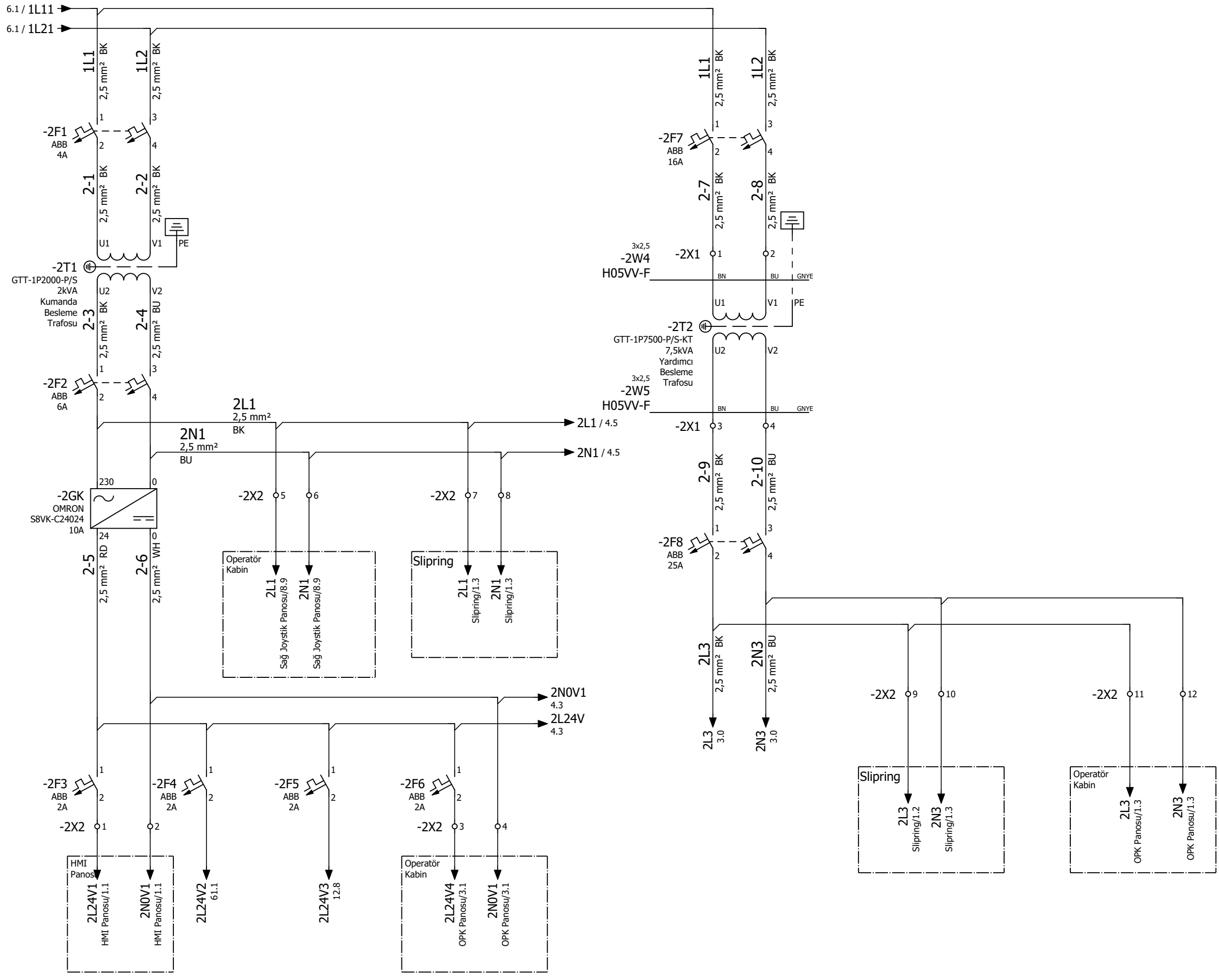


ADS MÜHENDİSLİK

Pano Enerji Girişi

Ana Pano

= 00SMC00GH00x
+ SMC00
Page / 1
46



TOUCH PANEL CPU BESLEME PLC KART BESLEME
BESLEME

EDITOR	Kemal OLGUN
DATE	23.01.23
CONTROLLER	T.AKALTUN

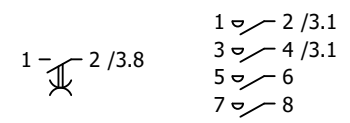
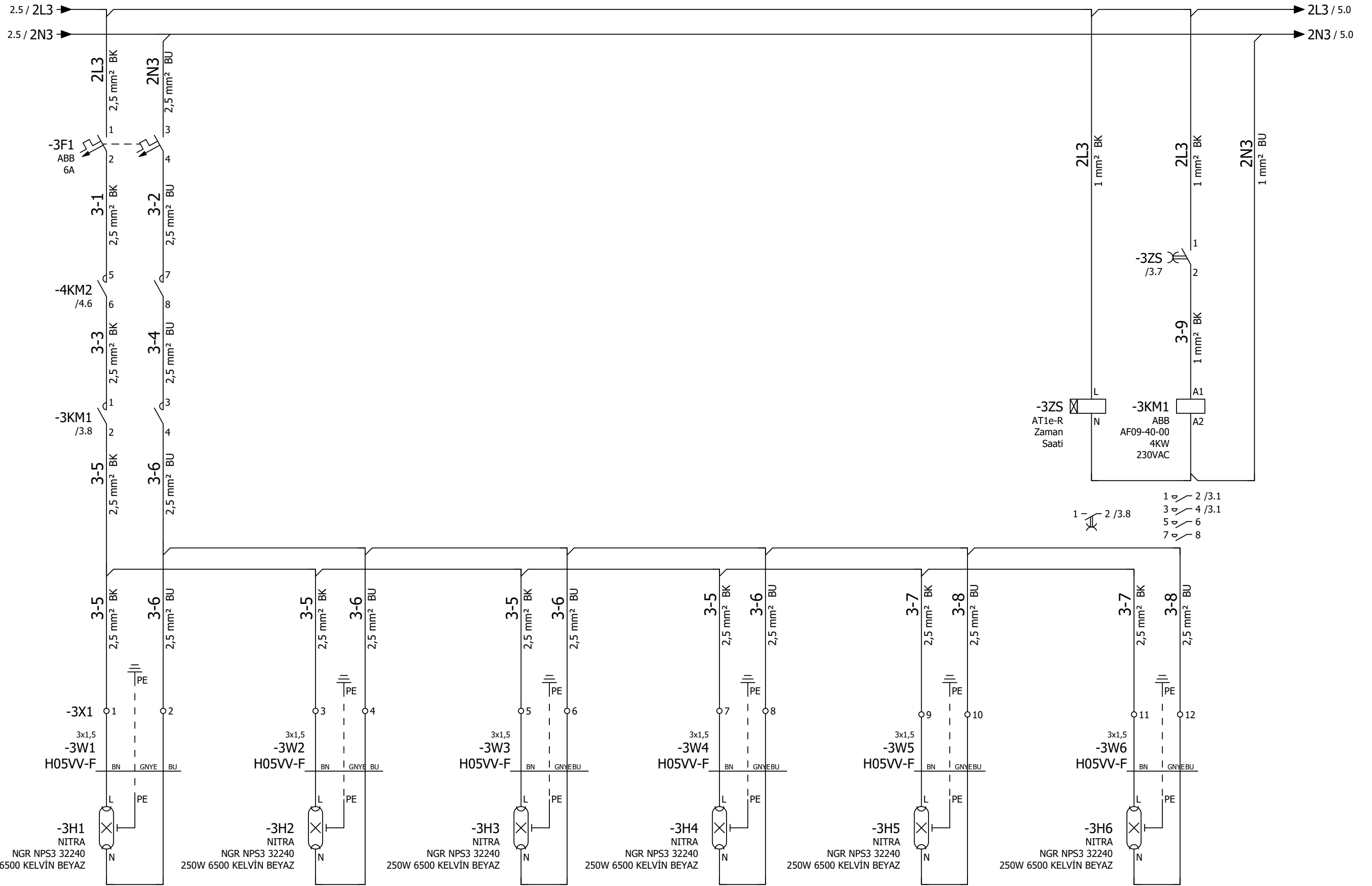


ADS MÜHENDİSLİK

Kontrol Voltaj Gerilimi

Ana Pano

= 00SMC00GH00x
+ SMC00
Page /2
47



EDITOR	Kemal OLGUN
DATE	23.01.23
CONTROLLER	T.AKALTUN

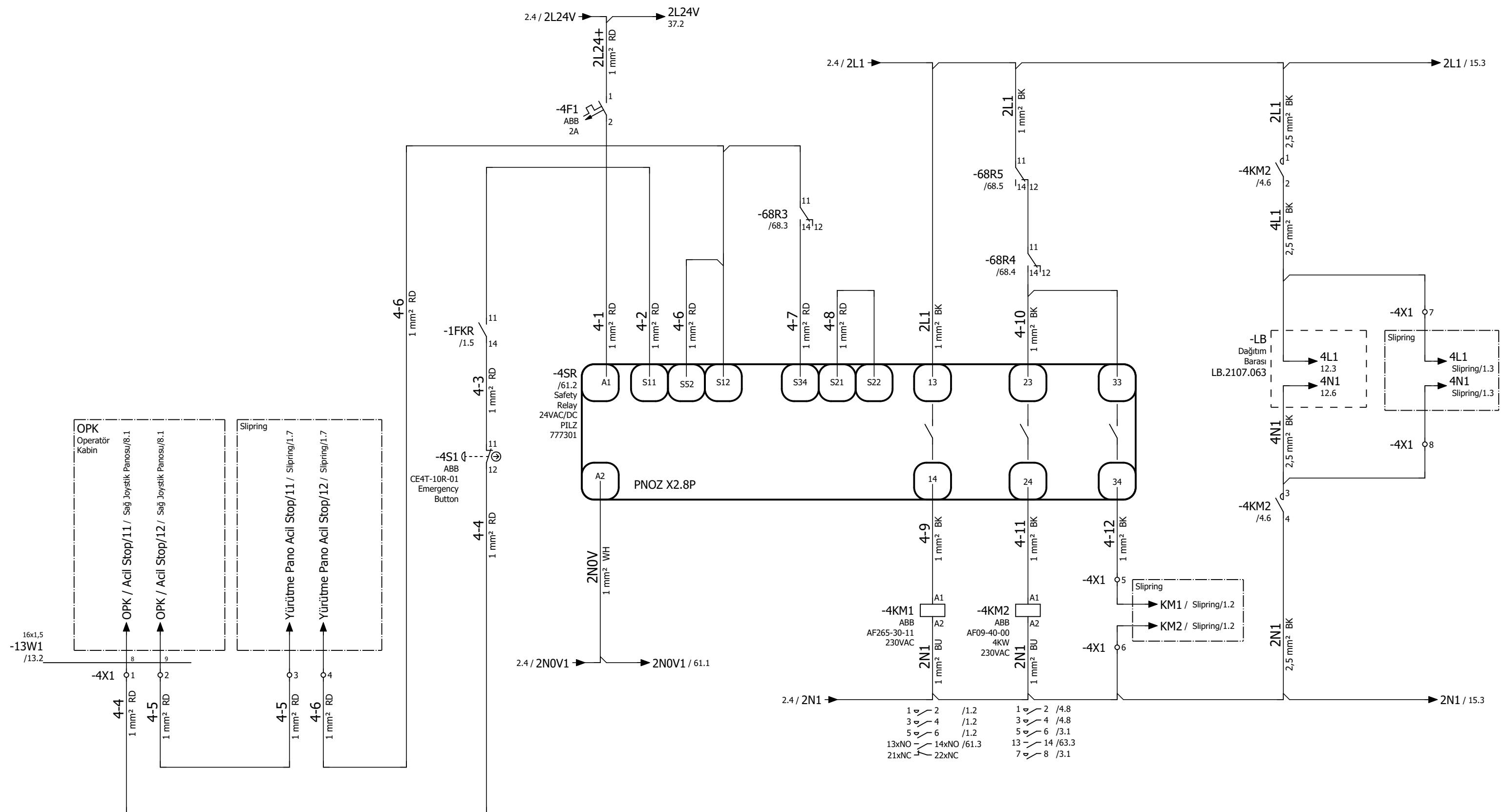


ADS MÜHENDİSLİK

Bom Projektör

Ana Pano

= 00SMC00GH00x
+ SMC00
Page /3
48



EDITOR	Kemal OLGUN
DATE	23.01.23
CONTROLLER	T.AKALTUN



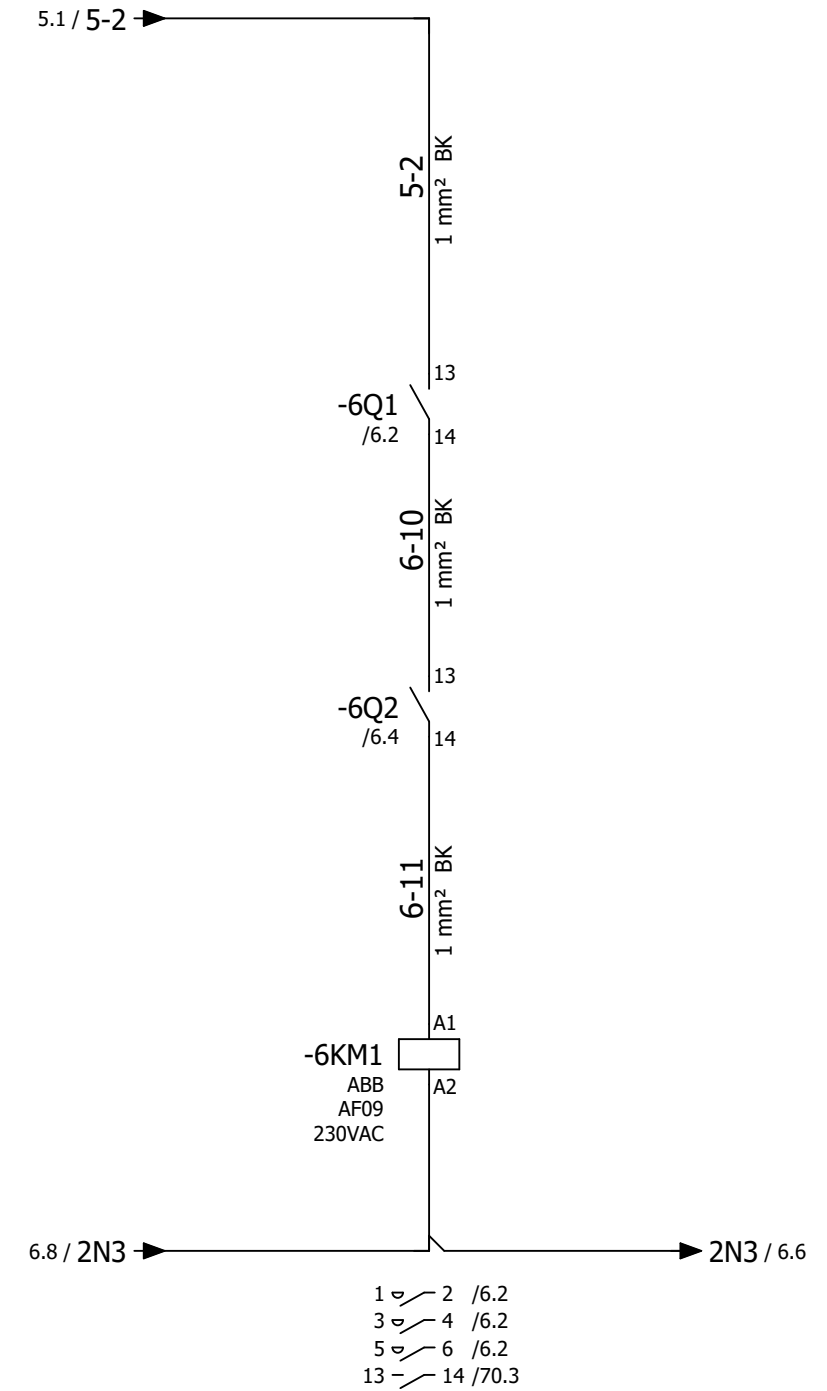
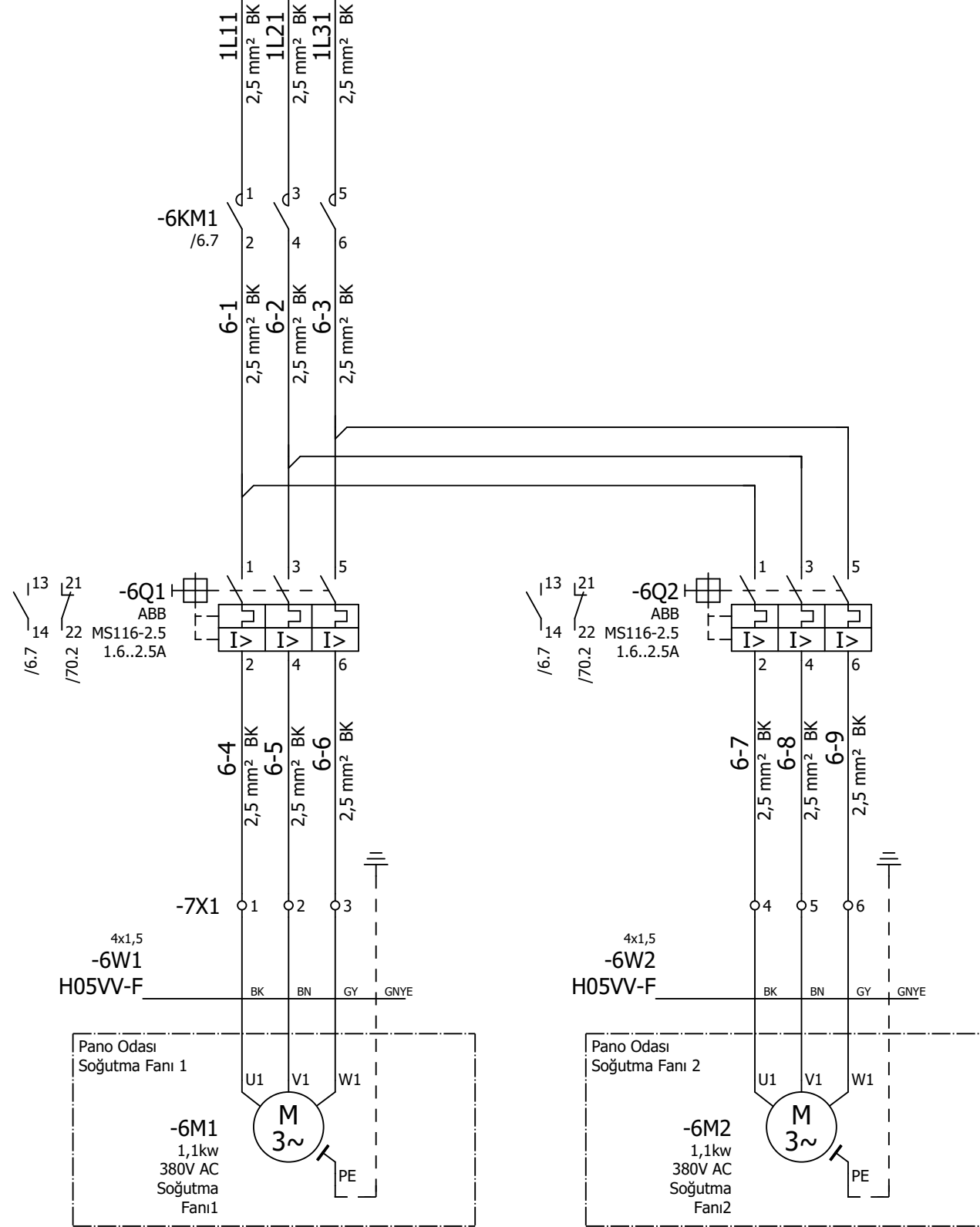
ADS MÜHENDİSLİK

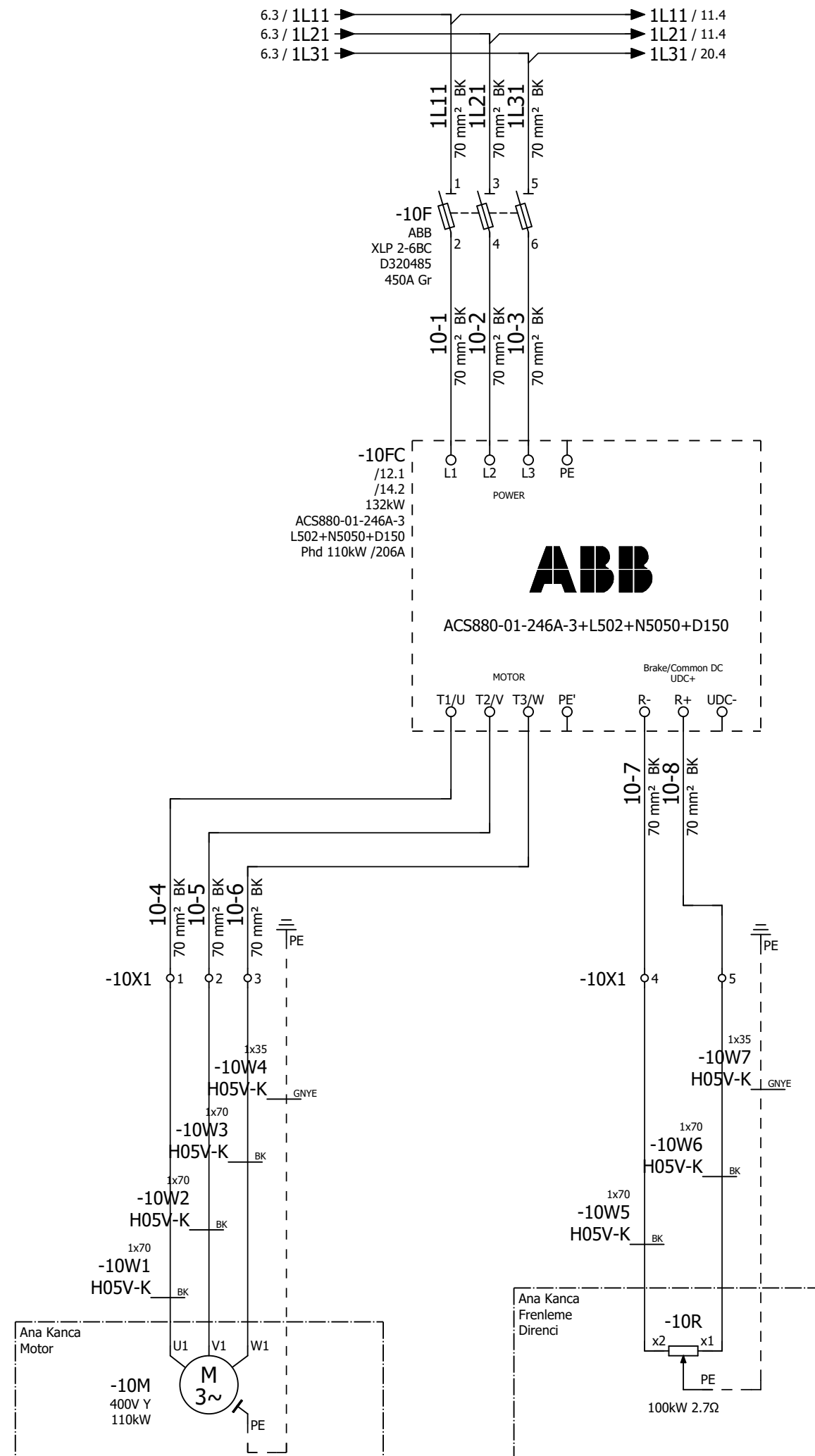
Acil Stop Devresi

Ana Pano

= 00SMC00GH00x
+ SMC00
Page / 4
49

2.1 / 1L11 → 1L11 / 10.4
2.1 / 1L21 → 1L21 / 10.4
1.4 / 1L31 → 1L31 / 10.4

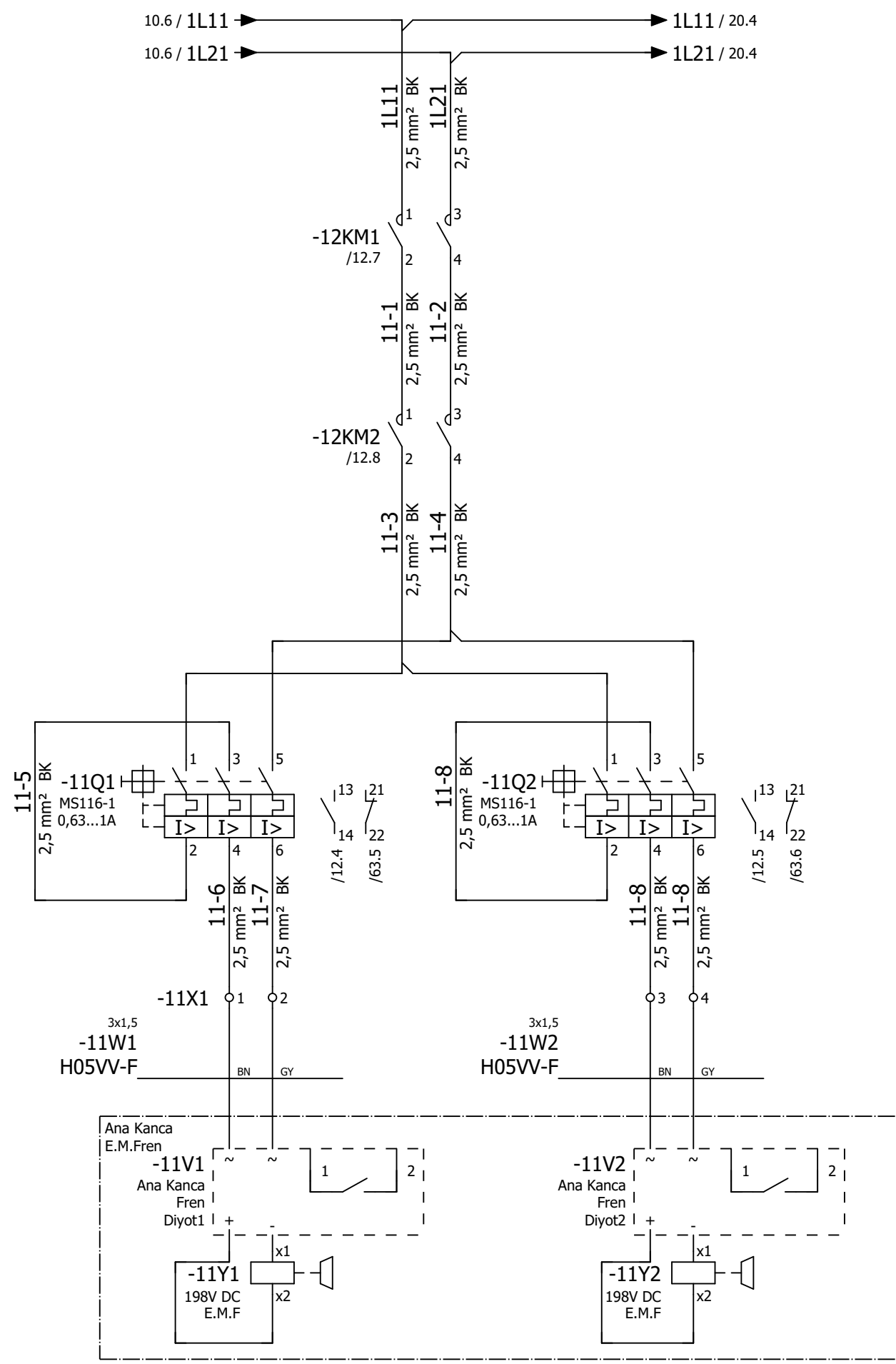




EDITOR	Kemal OLGUN
DATE	23.01.23
CONTROLLER	T.AKALTUN



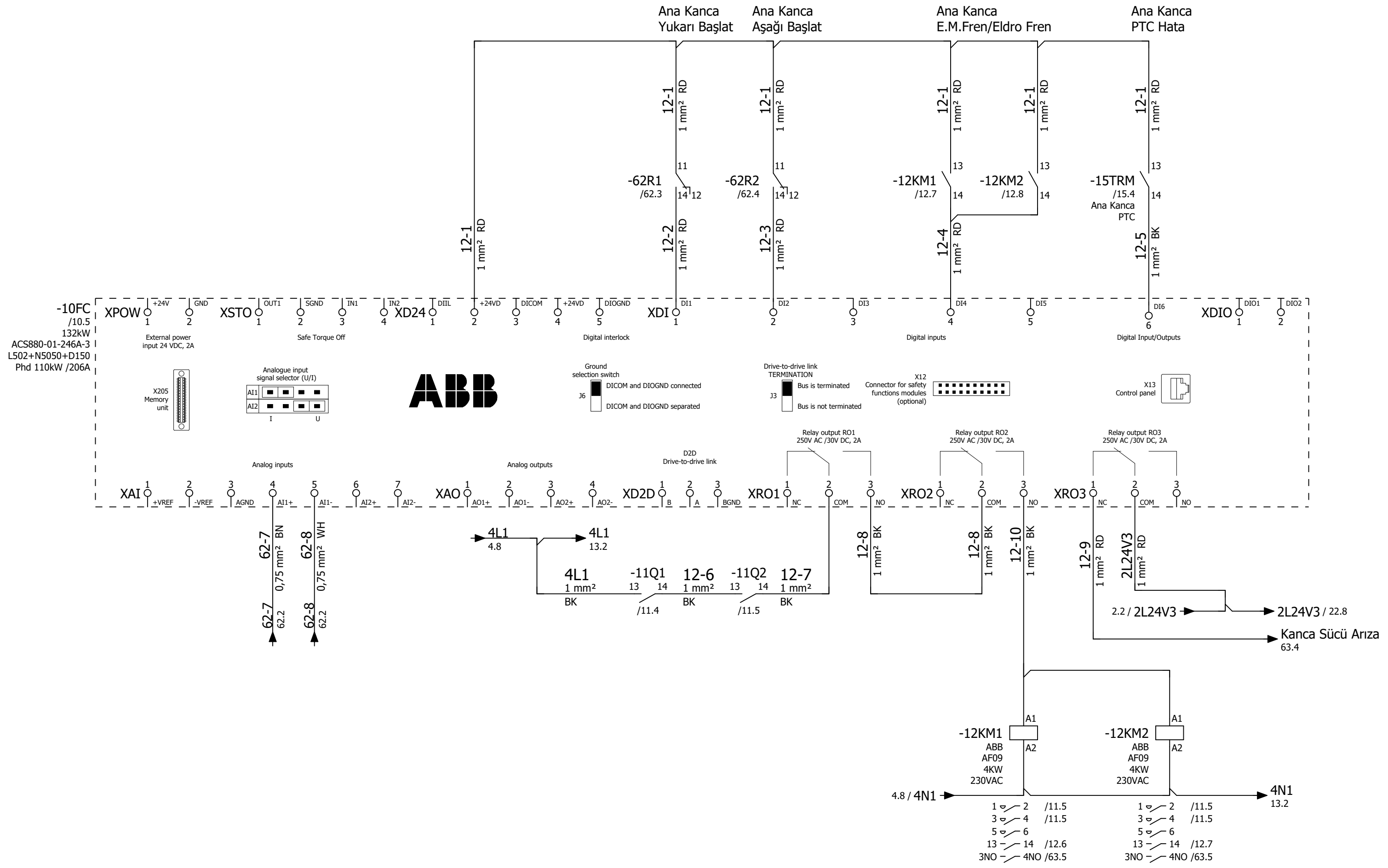
= 00SMC00GH00x
+ SMC00
Page / 10
52

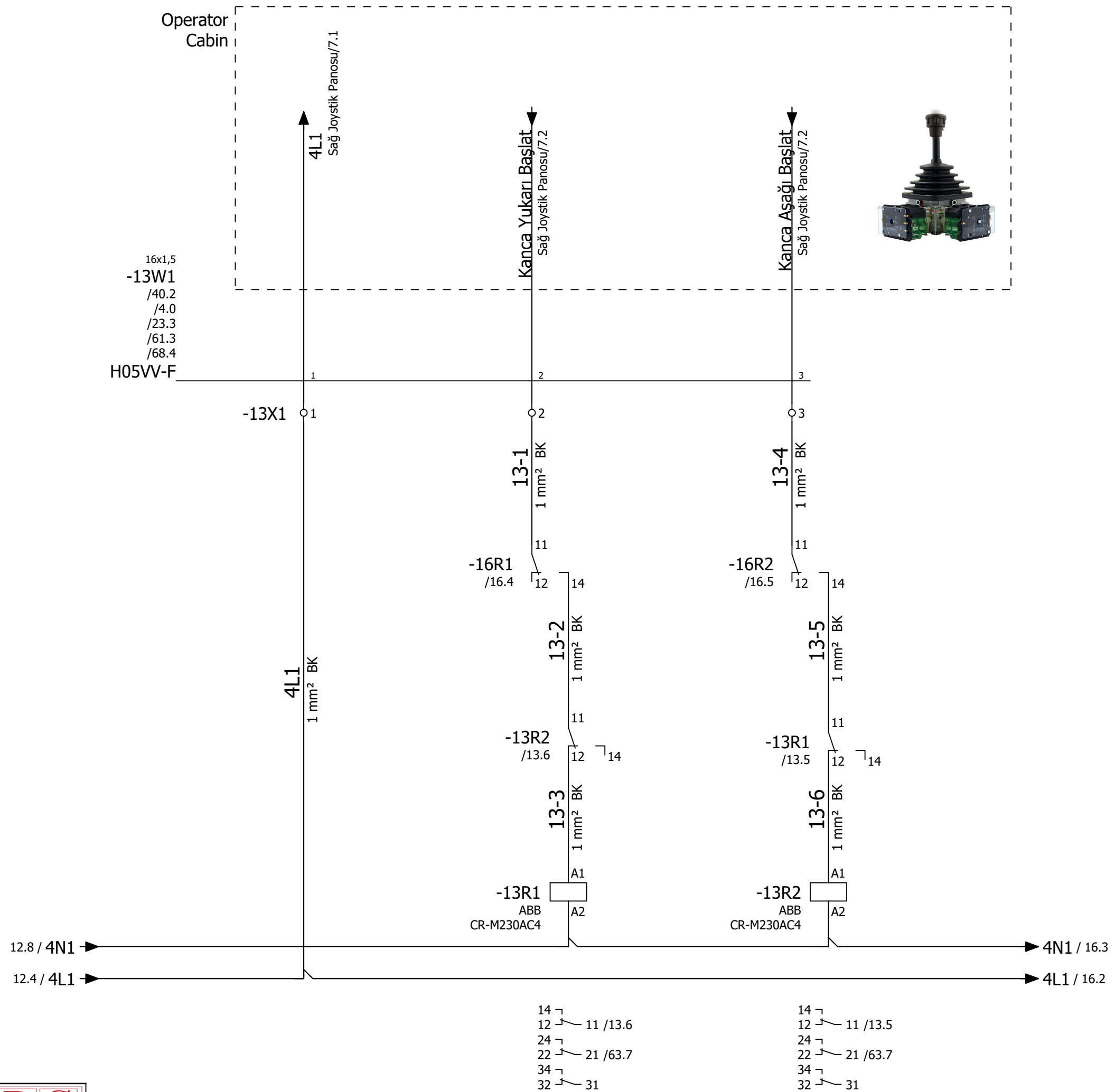


EDITOR	Kemal OLGUN
DATE	23.01.23
CONTROLLER	T.AKALTUN



= 00SMC00GH00x
+ SMC00
Page / 11
53



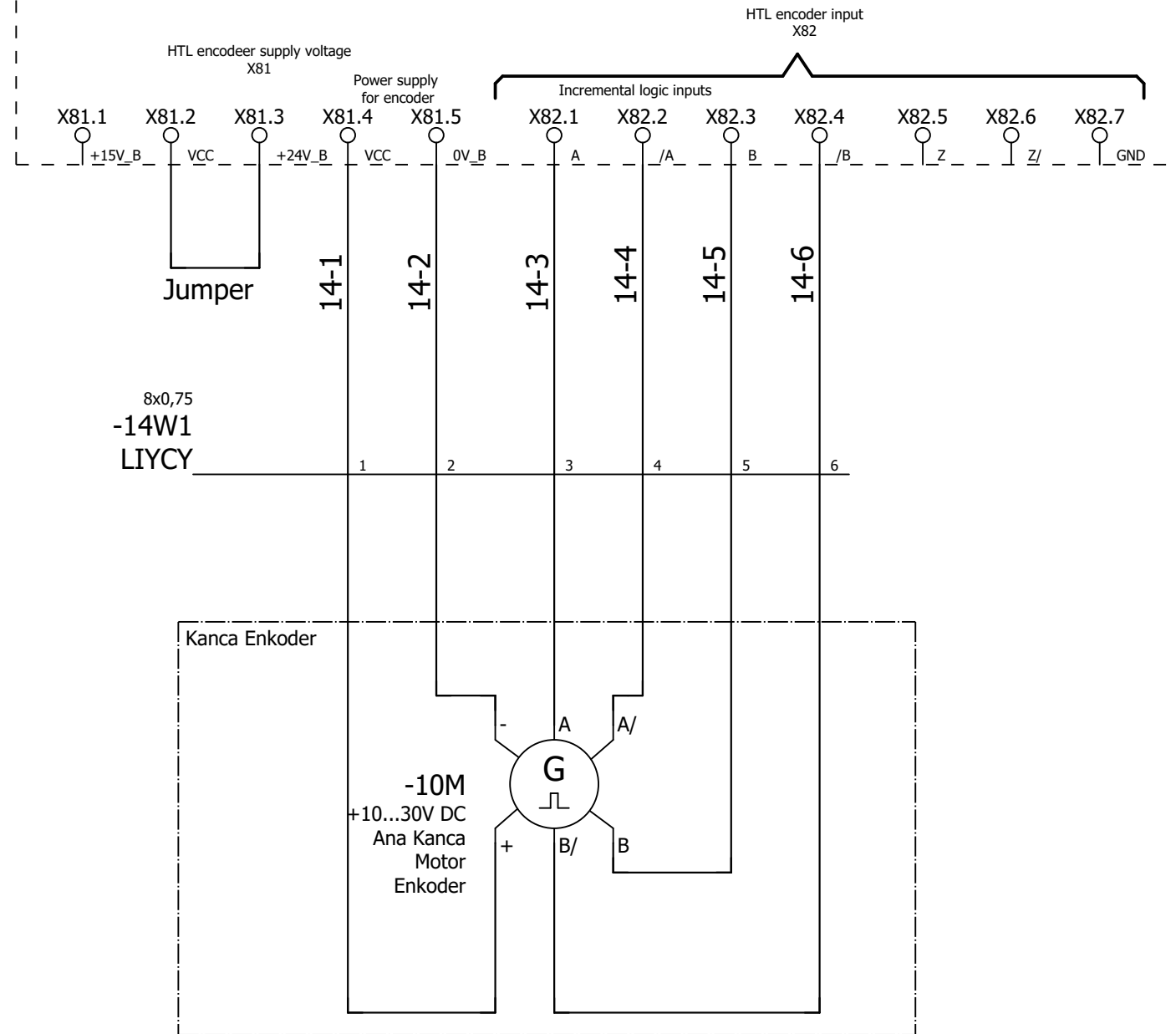
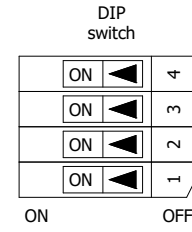


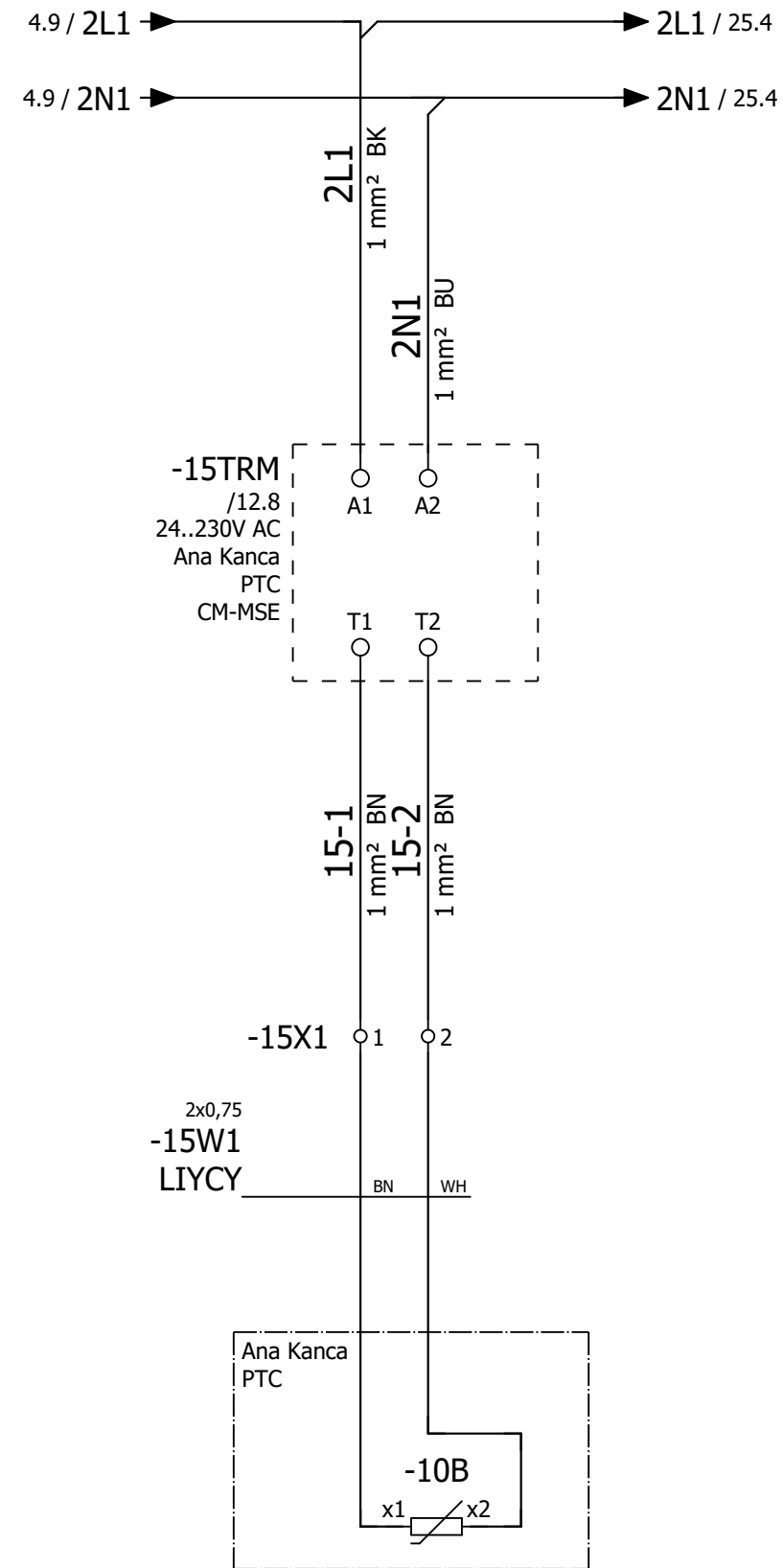
EDITOR	Kemal OLGUN
DATE	23.01.23
CONTROLLER	T.AKALTUN

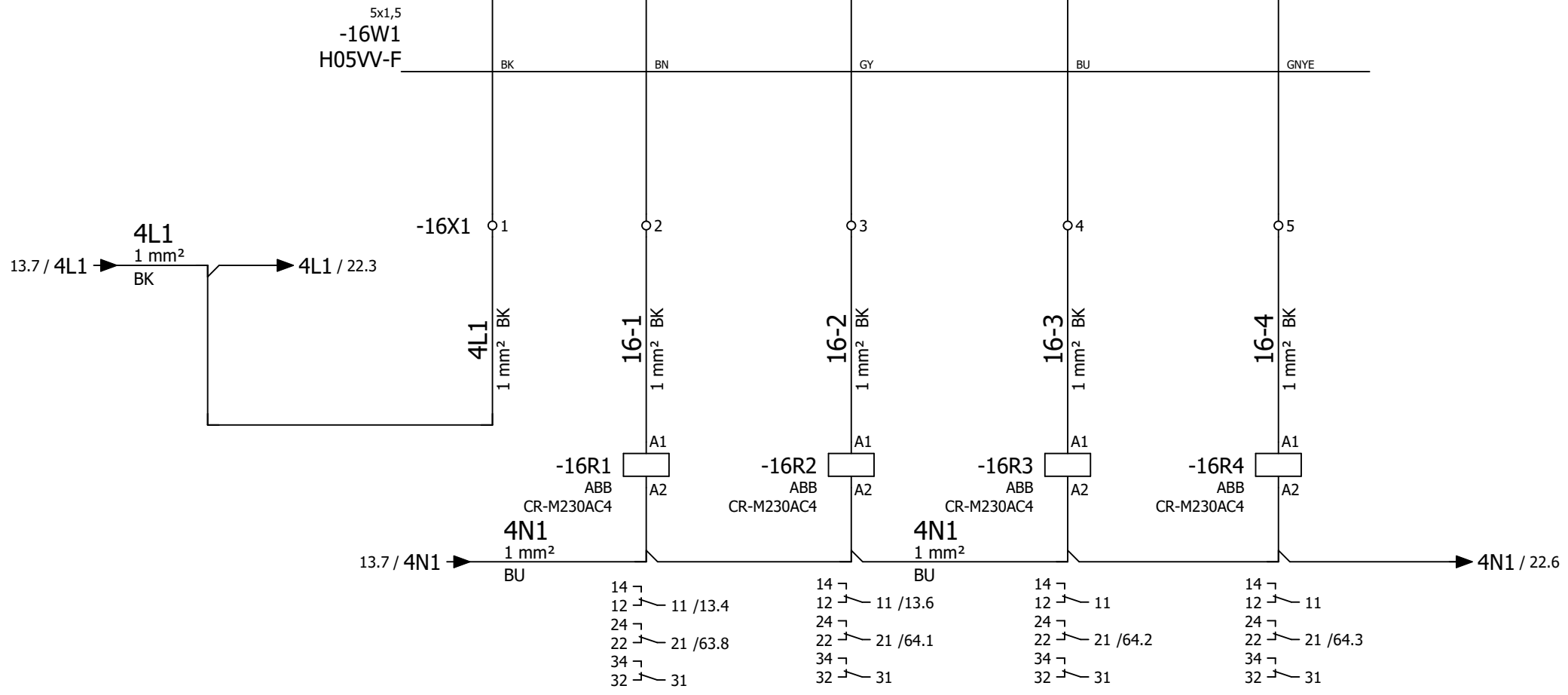
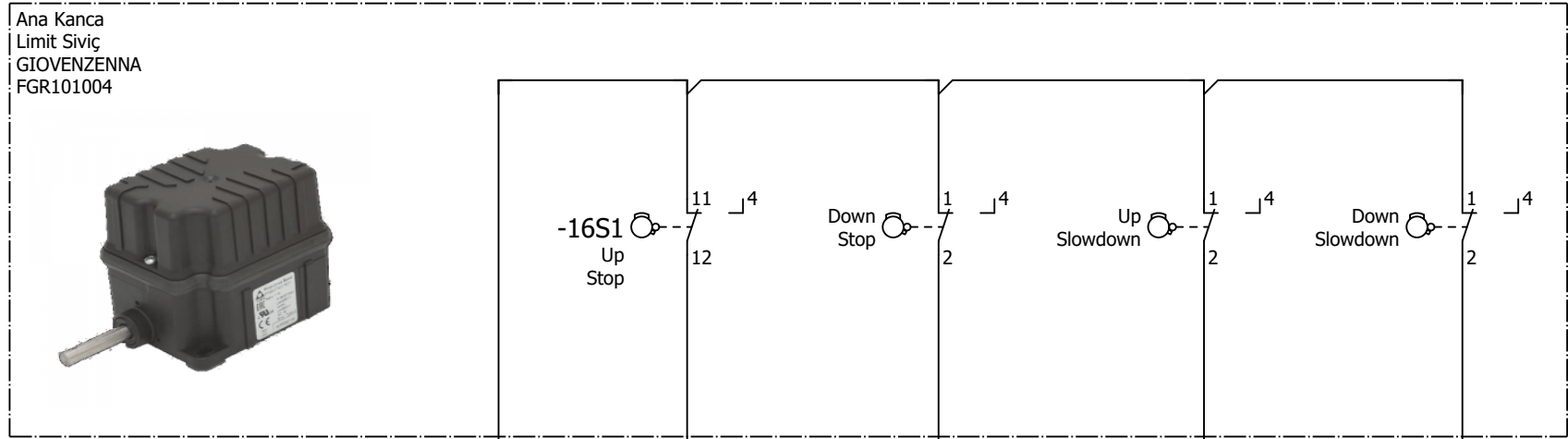


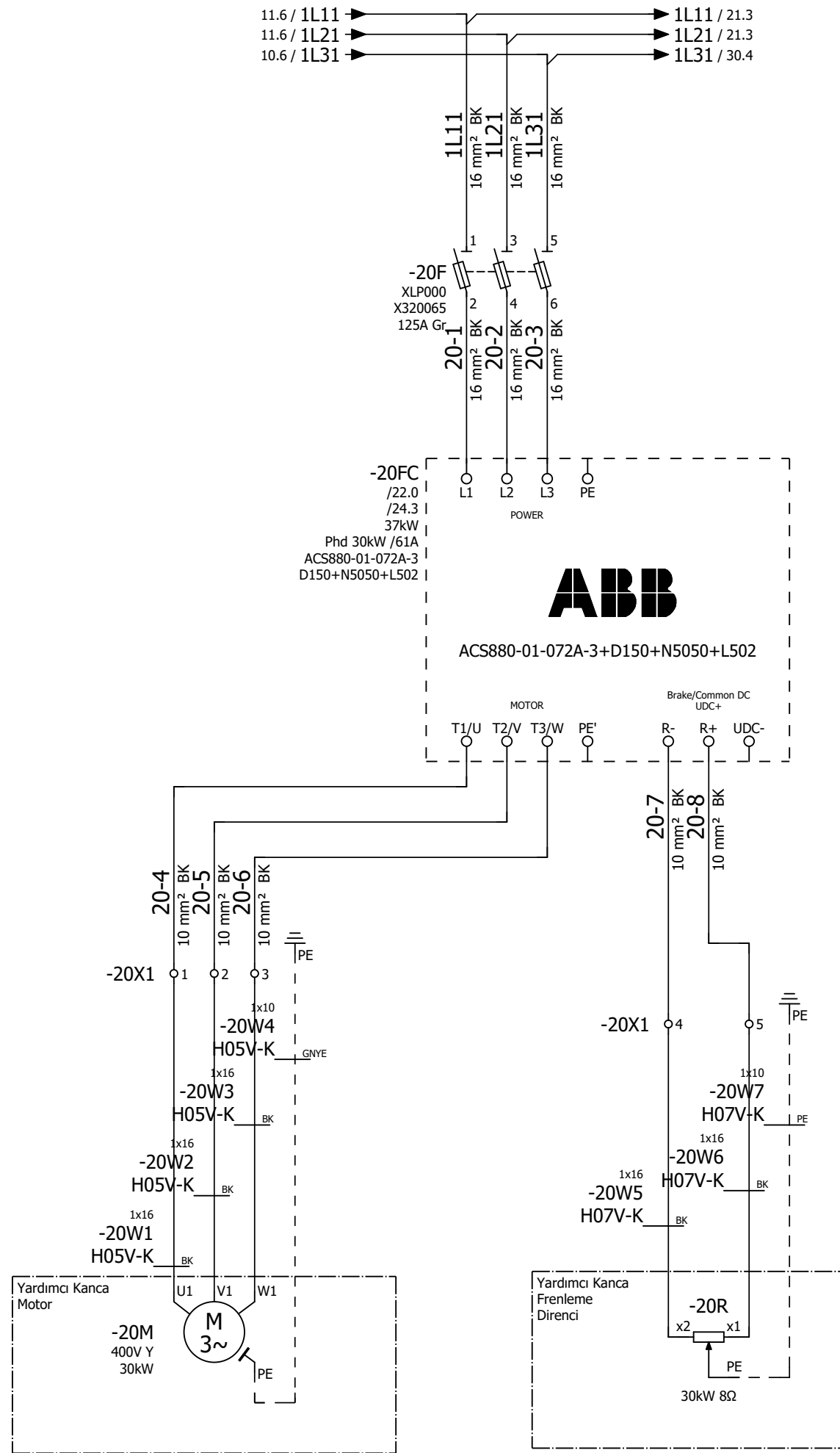
-10FC
/10.5
/12.1

Kanca
FEN31
Enkoder Kart







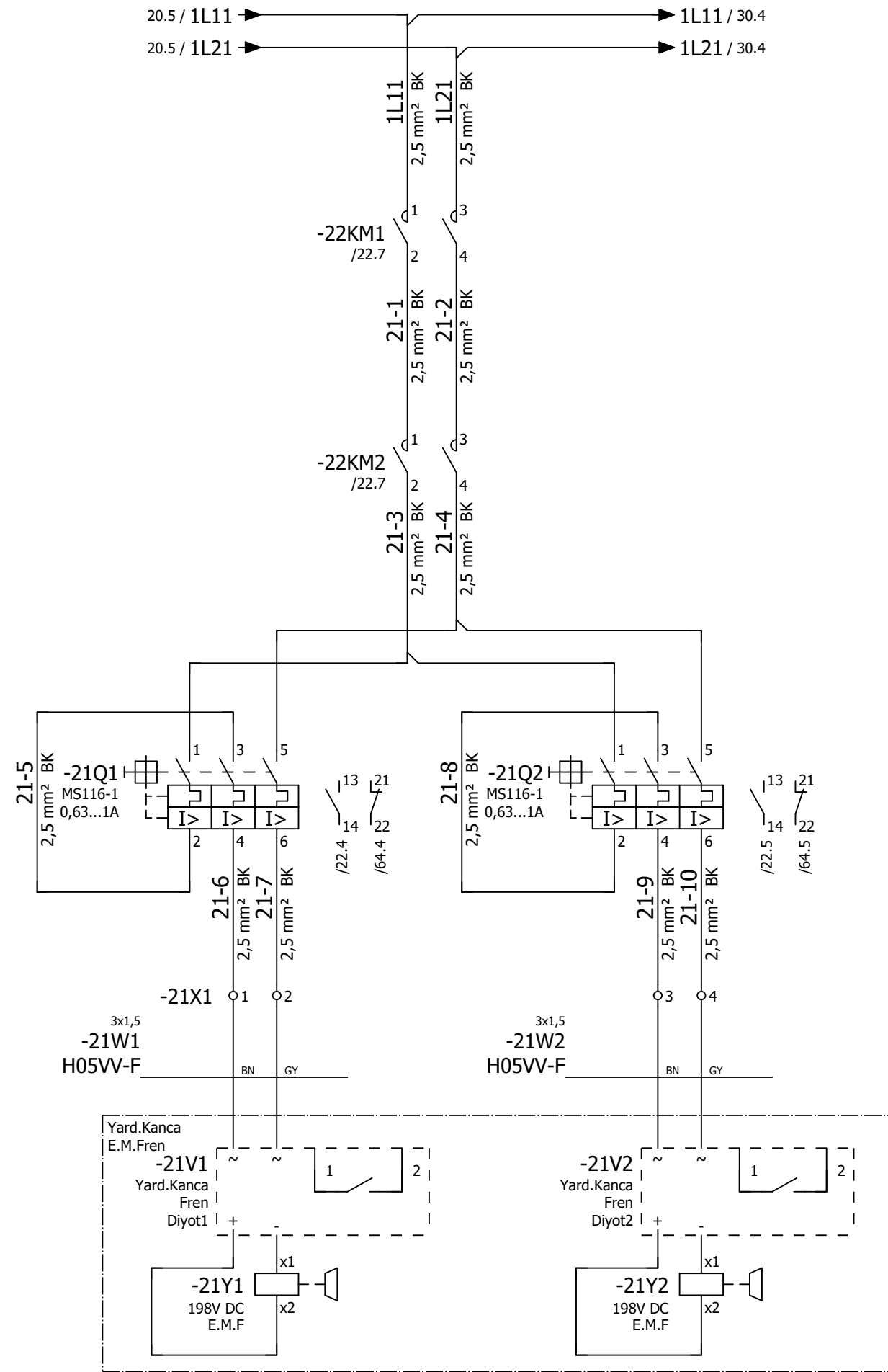


EDITOR	Kemal OLGUN
DATE	23.01.23
CONTROLLER	T.AKALTUN



= 00SMC00GH00x
+ SMC00
Page /20
59

20.5 / 1L11 → 1L11 / 30.4
20.5 / 1L21 → 1L21 / 30.4

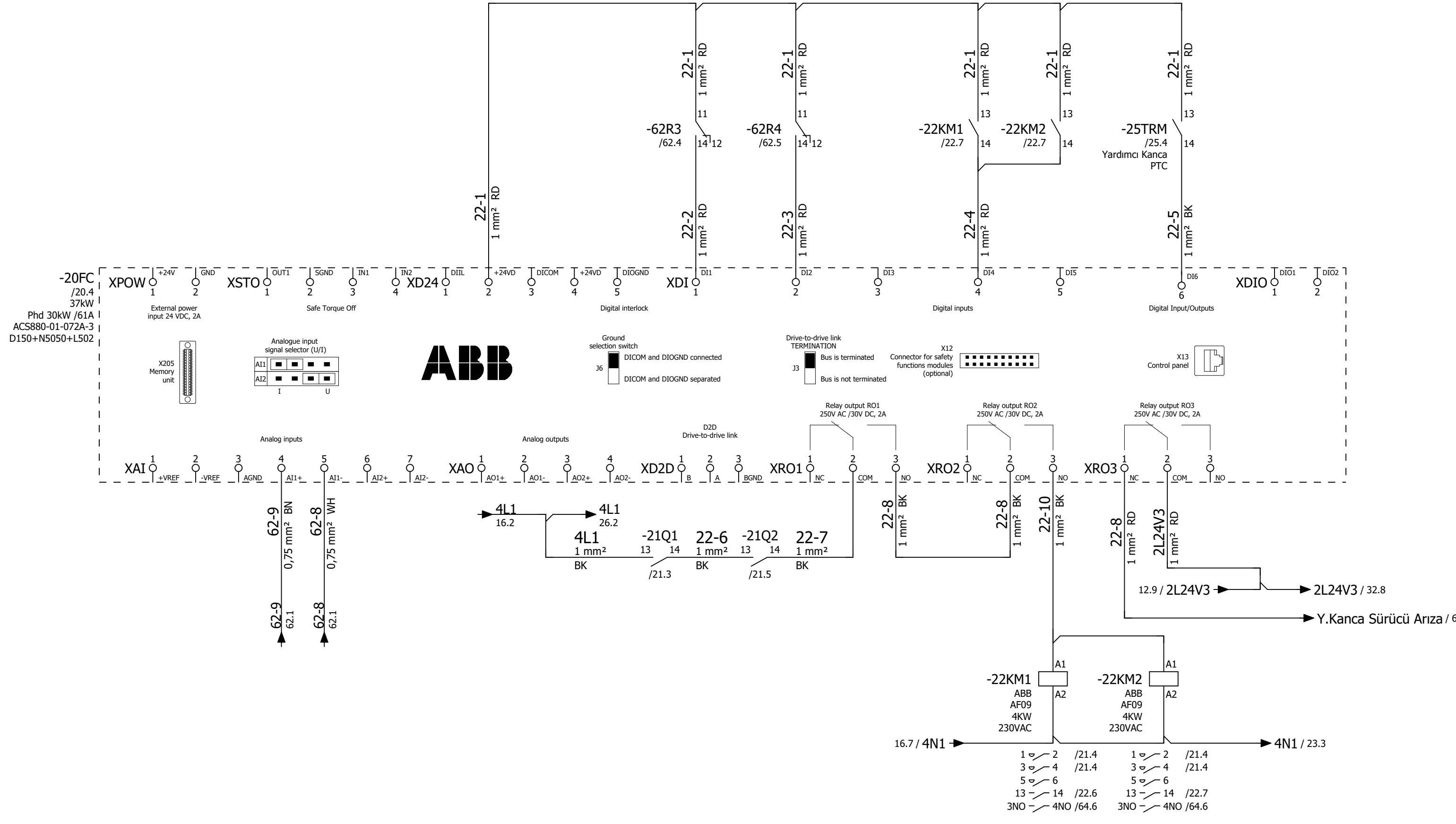


EDITOR	Kemal OLGUN
DATE	23.01.23
CONTROLLER	T.AKALTUN



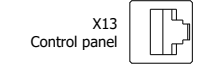
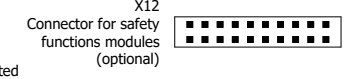
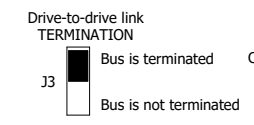
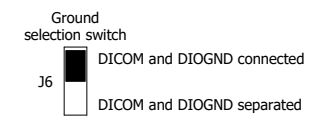
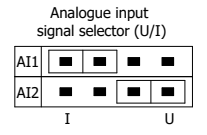
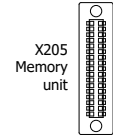
= 00SMC00GH00x
+ SMC00
Page /21
60

Yardımcı Kanca Yardımcı Kanca Yardımcı Kanca Yardımcı Kanca
Yukarı Başlat Aşağı Başlat E.M.Fren/Eldro Fren PTC Hata



-20FC /20.4
37kW
Phd 30kW /61A
ACS880-01-072A-3
D150+N5050+L502

External power input 24 VDC, 2A



Analog inputs

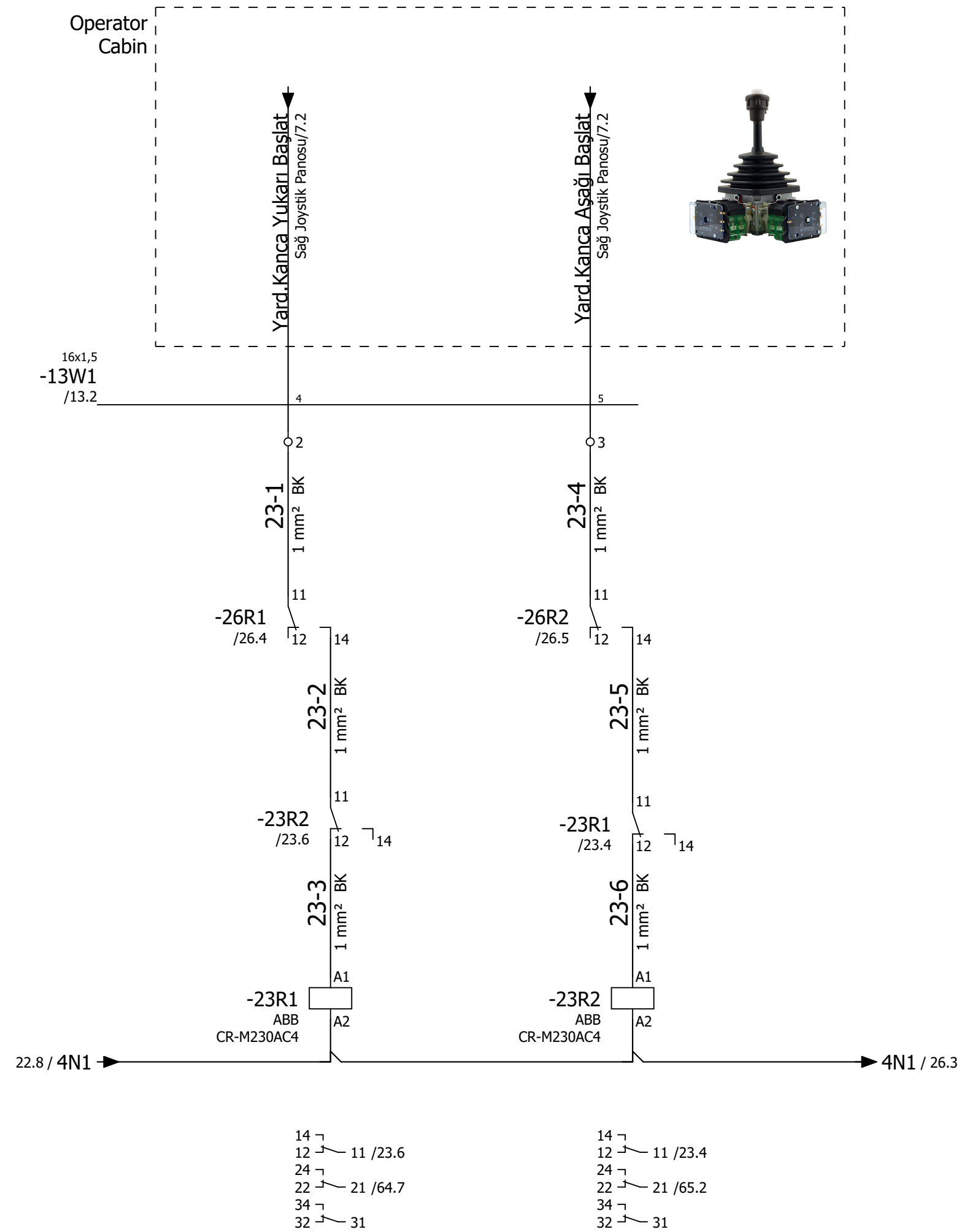
Analog outputs

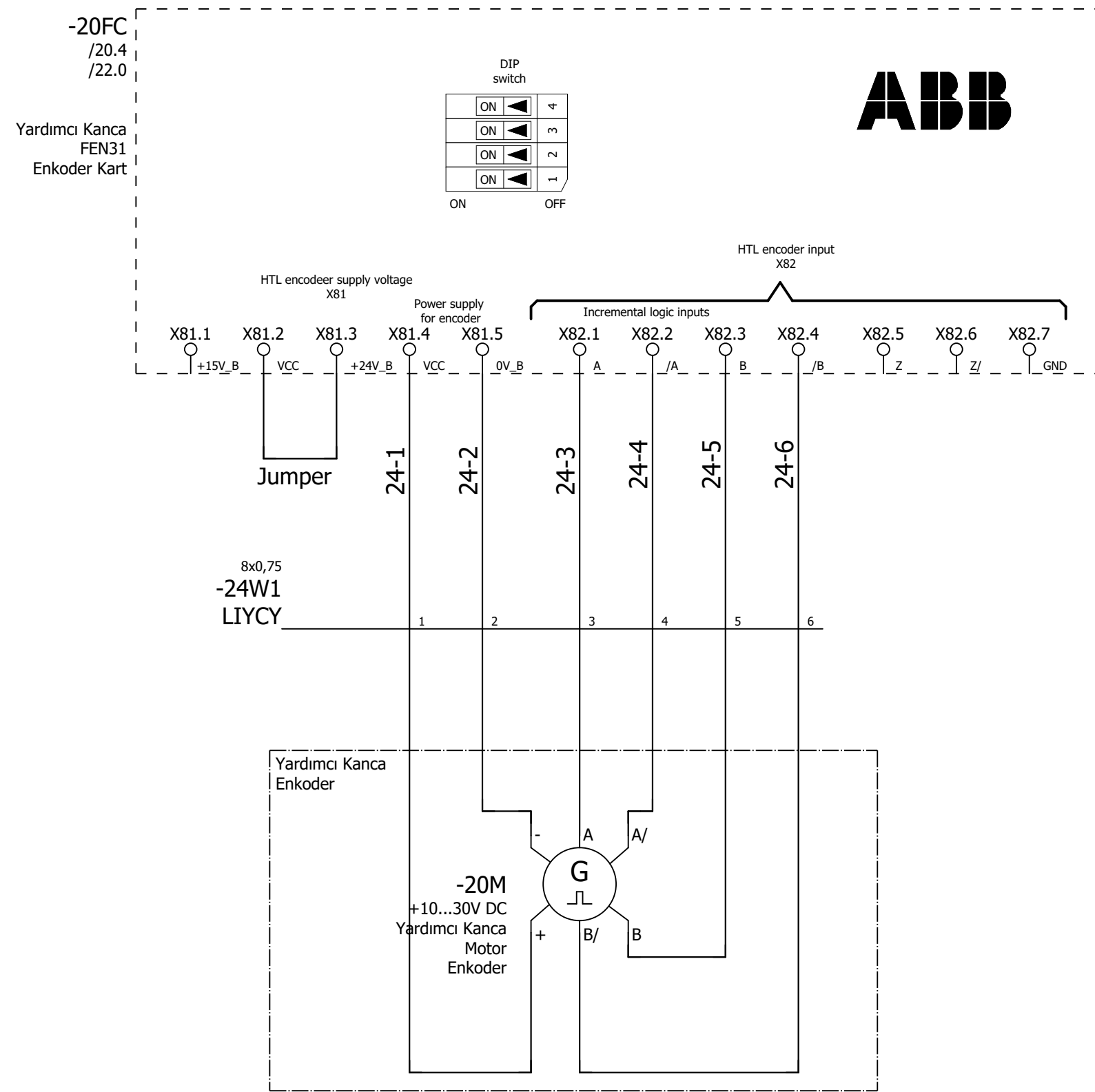
D2D Drive-to-drive link

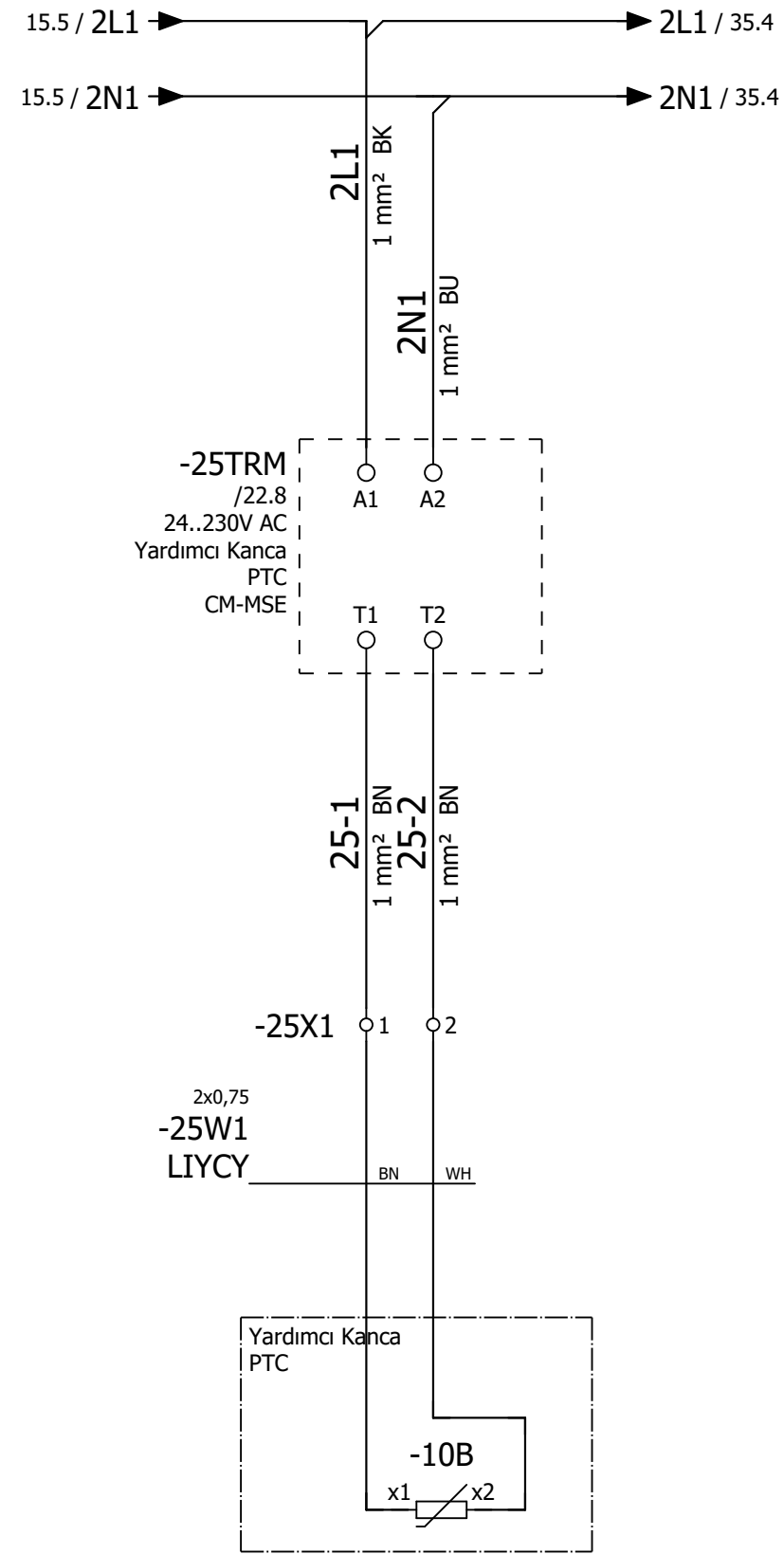
Relay output RO1 250V AC /30V DC, 2A

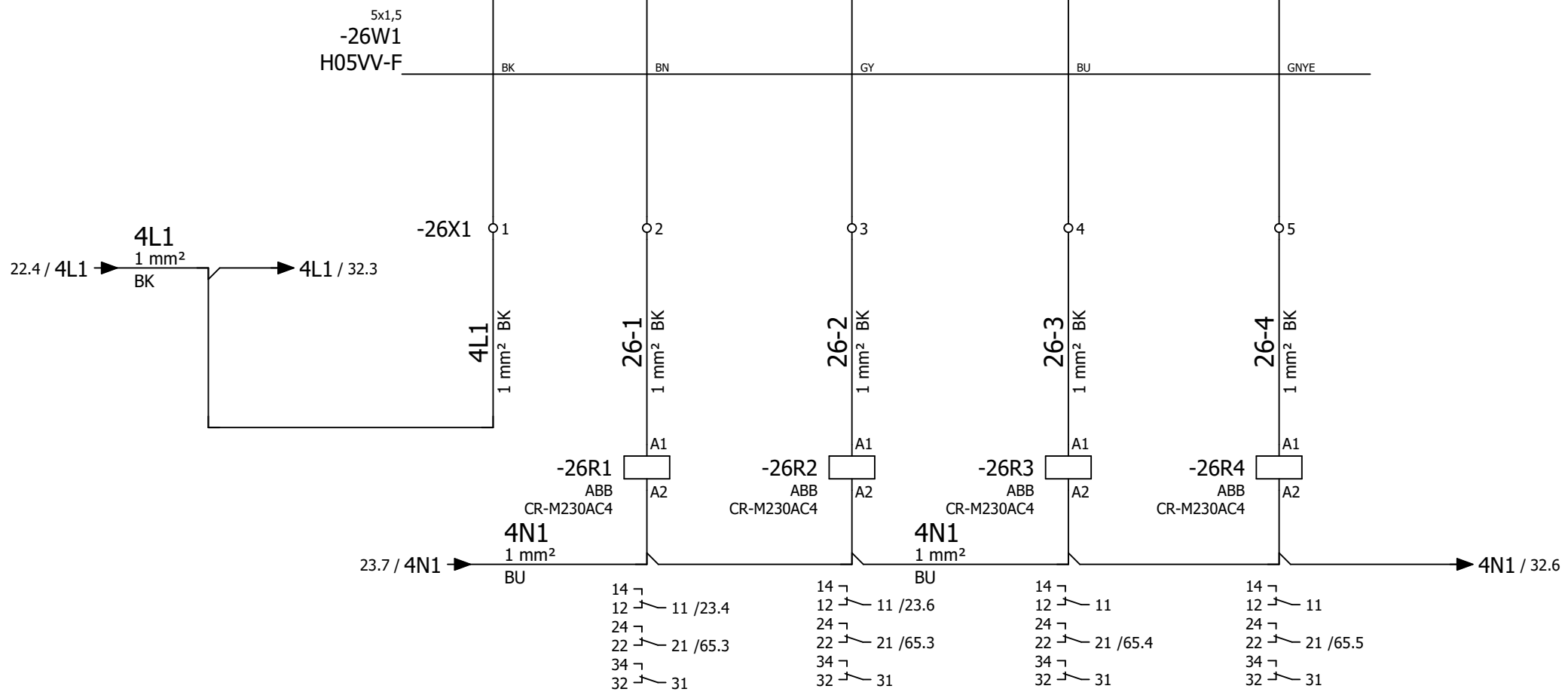
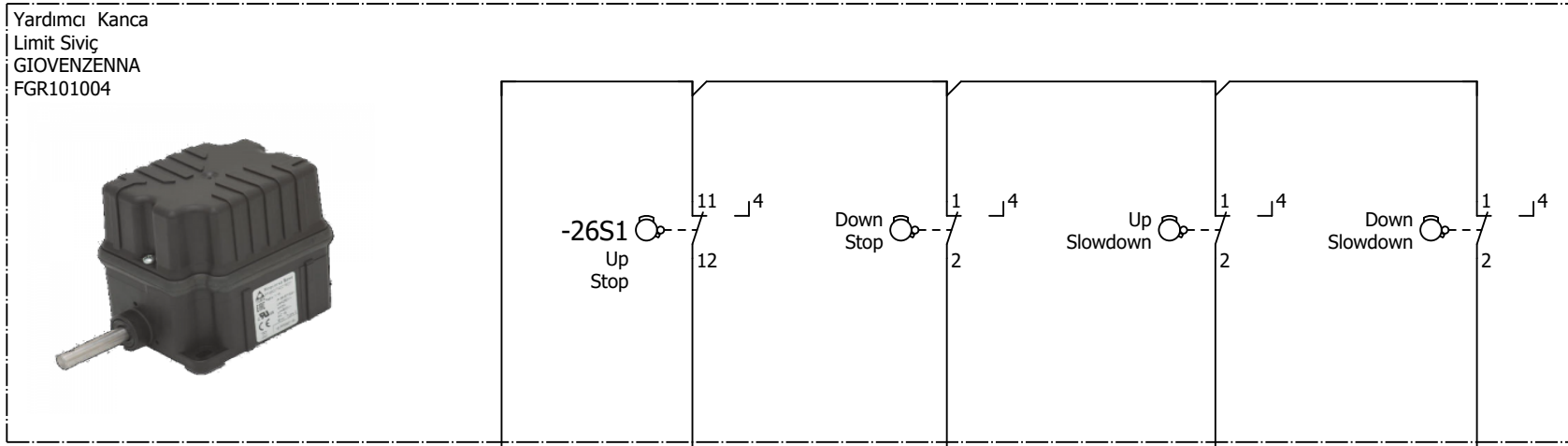
Relay output RO2 250V AC /30V DC, 2A

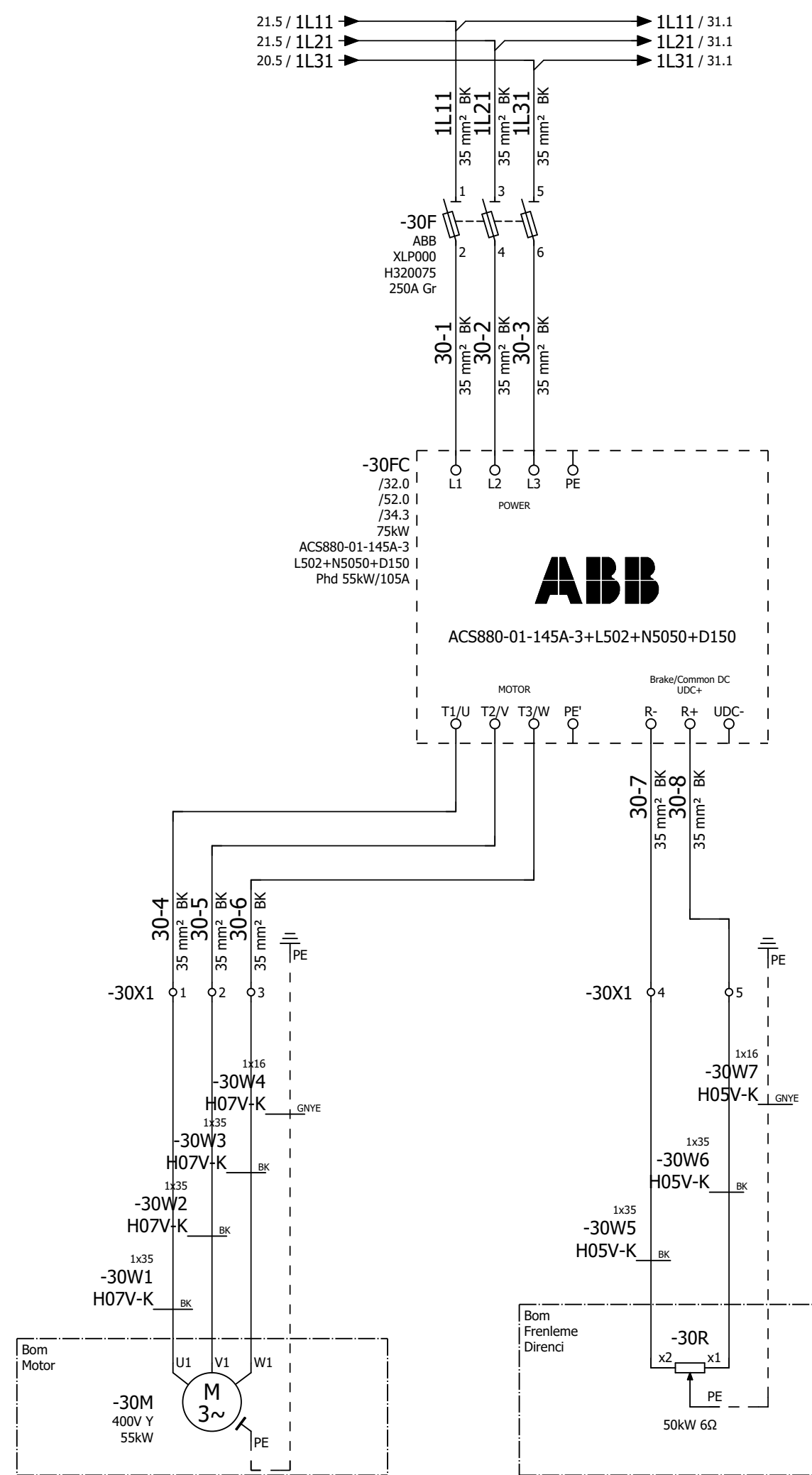
Relay output RO3 250V AC /30V DC, 2A







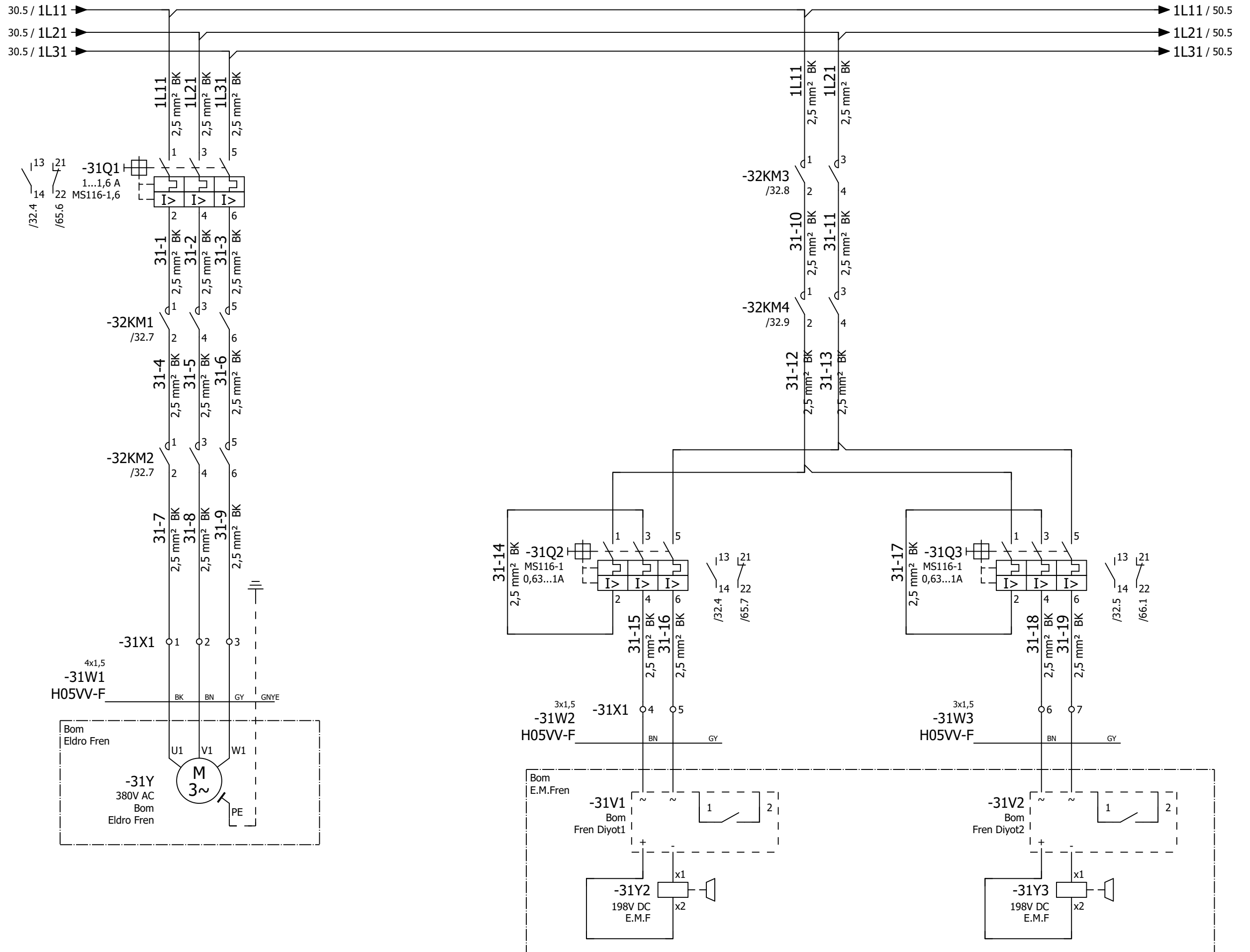




EDITOR	Kemal OLGUN
DATE	23.01.23
CONTROLLER	T.AKALTUN



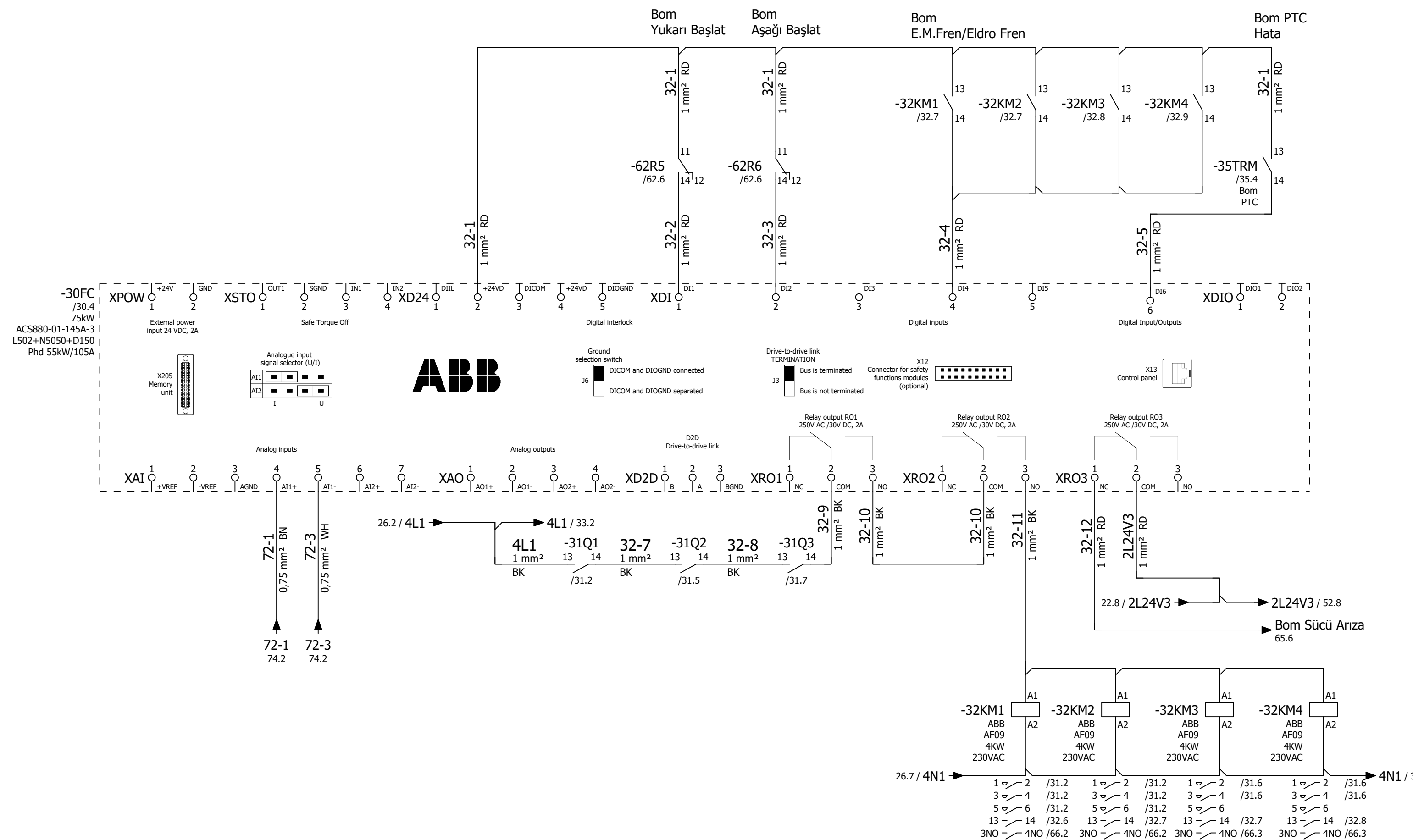
= 00SMC00GH00x
+ SMC00
Page / 30
66

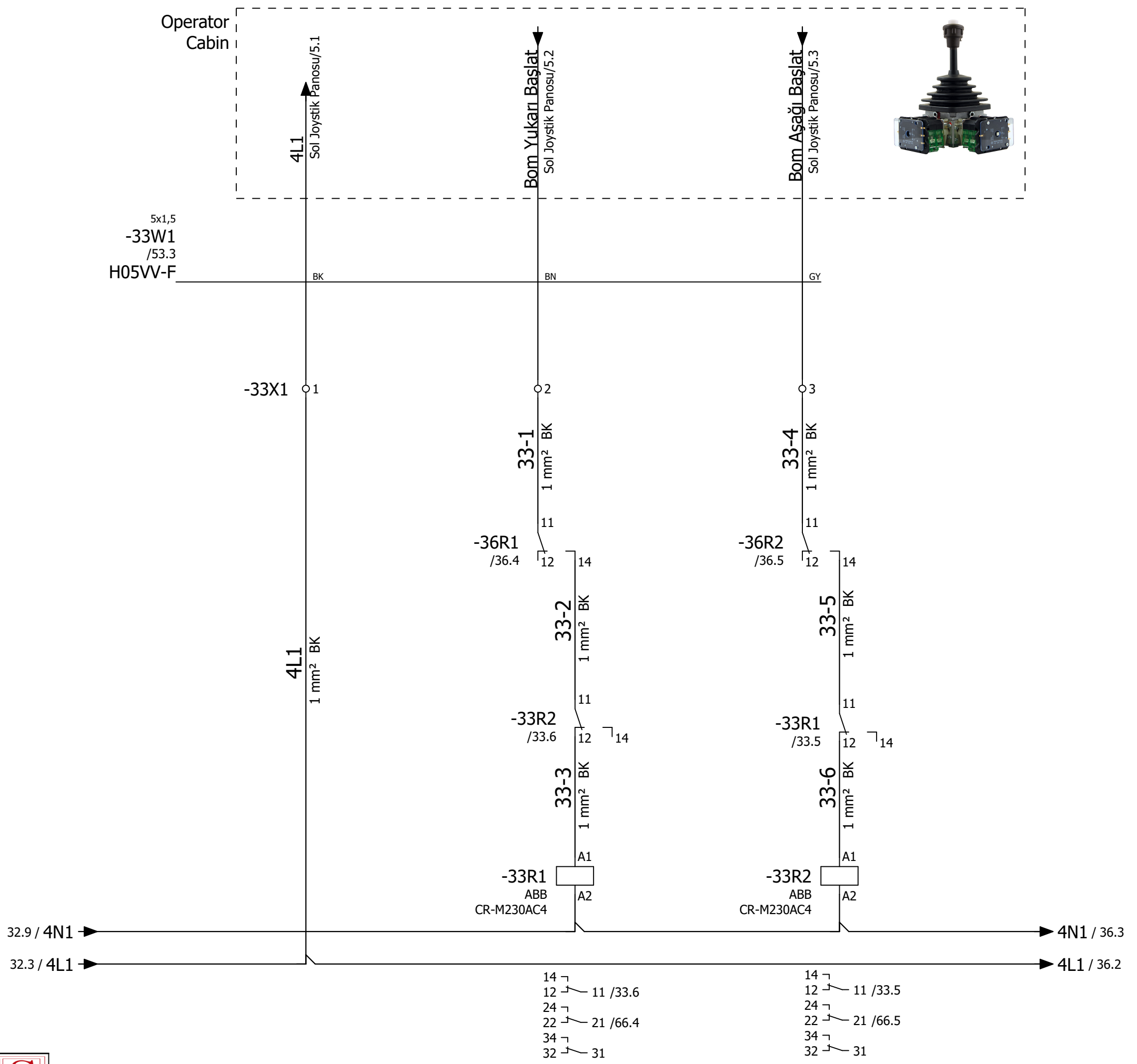


EDITOR	Kemal OLGUN
DATE	23.01.23
CONTROLLER	T.AKALTUN



= 00SMC00GH00x
+ SMC00
Page /31
67

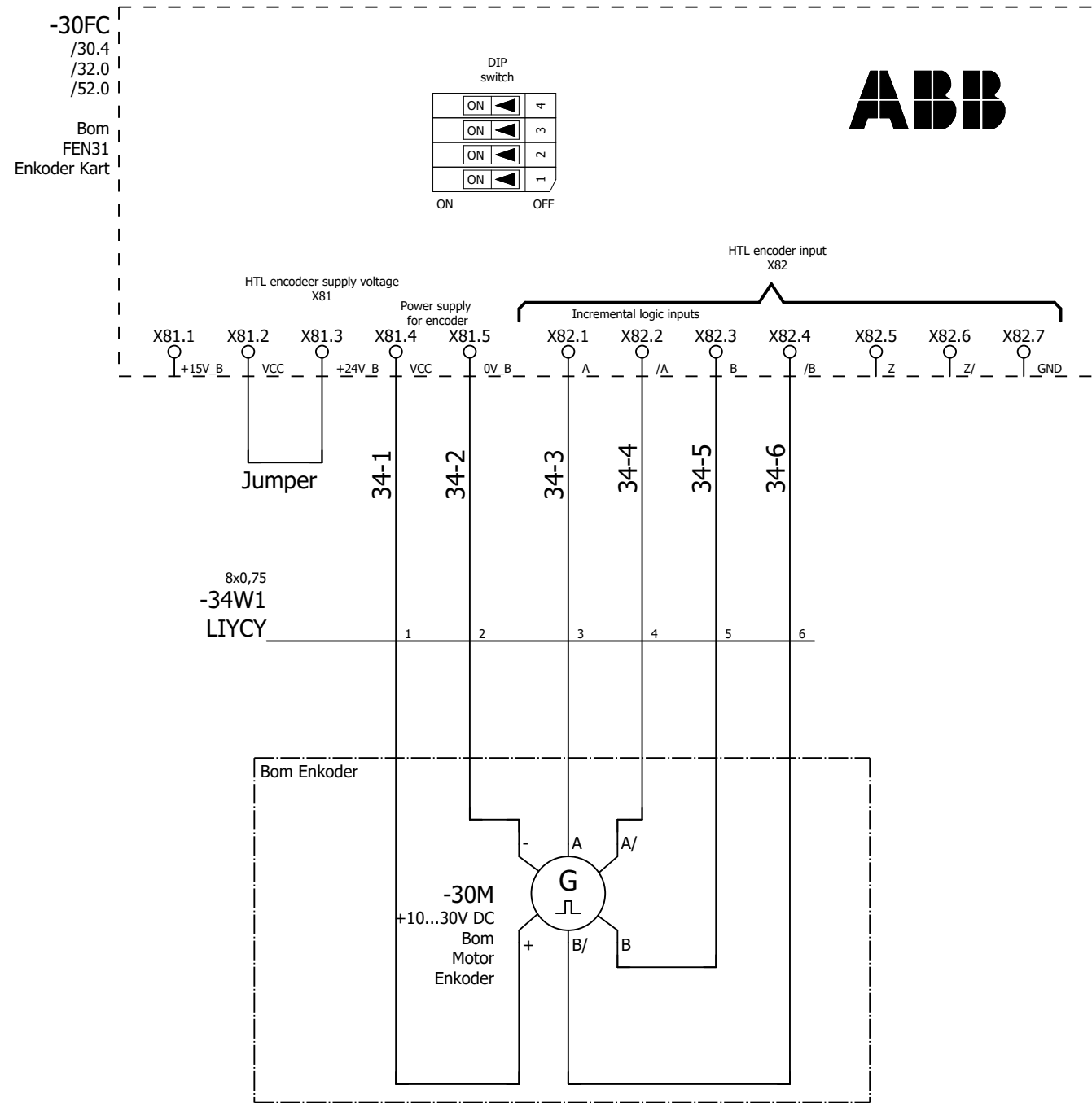


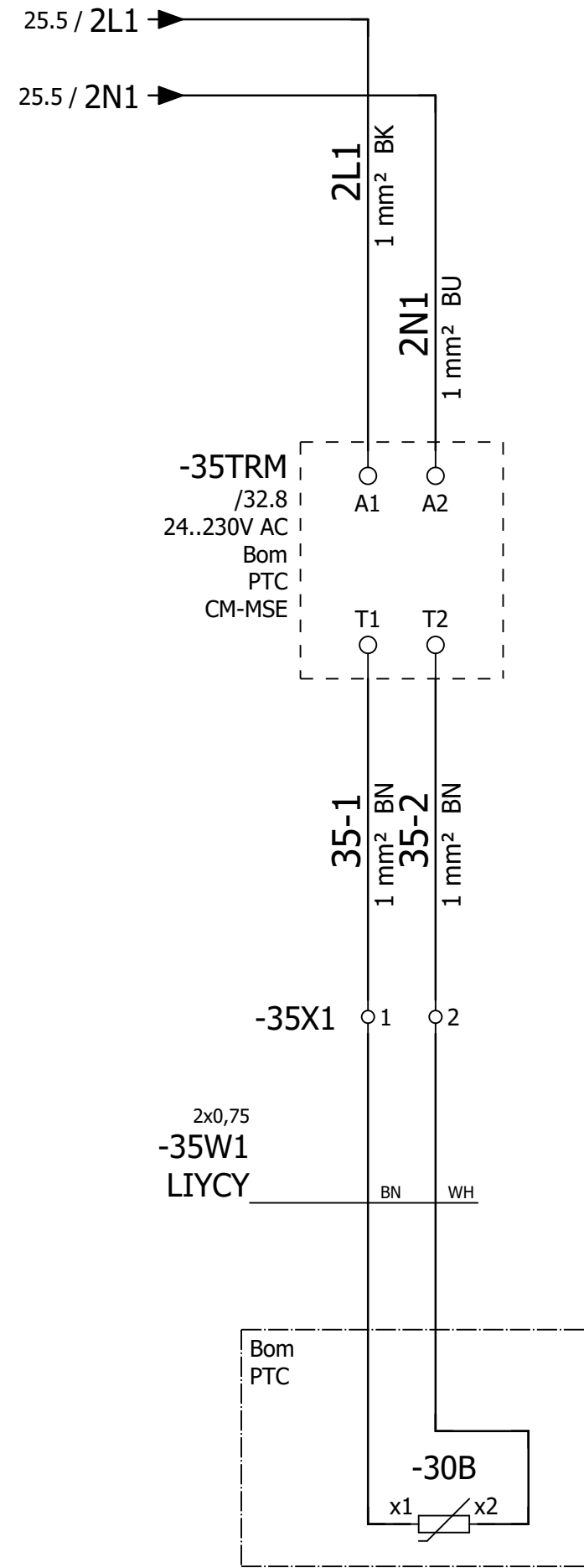


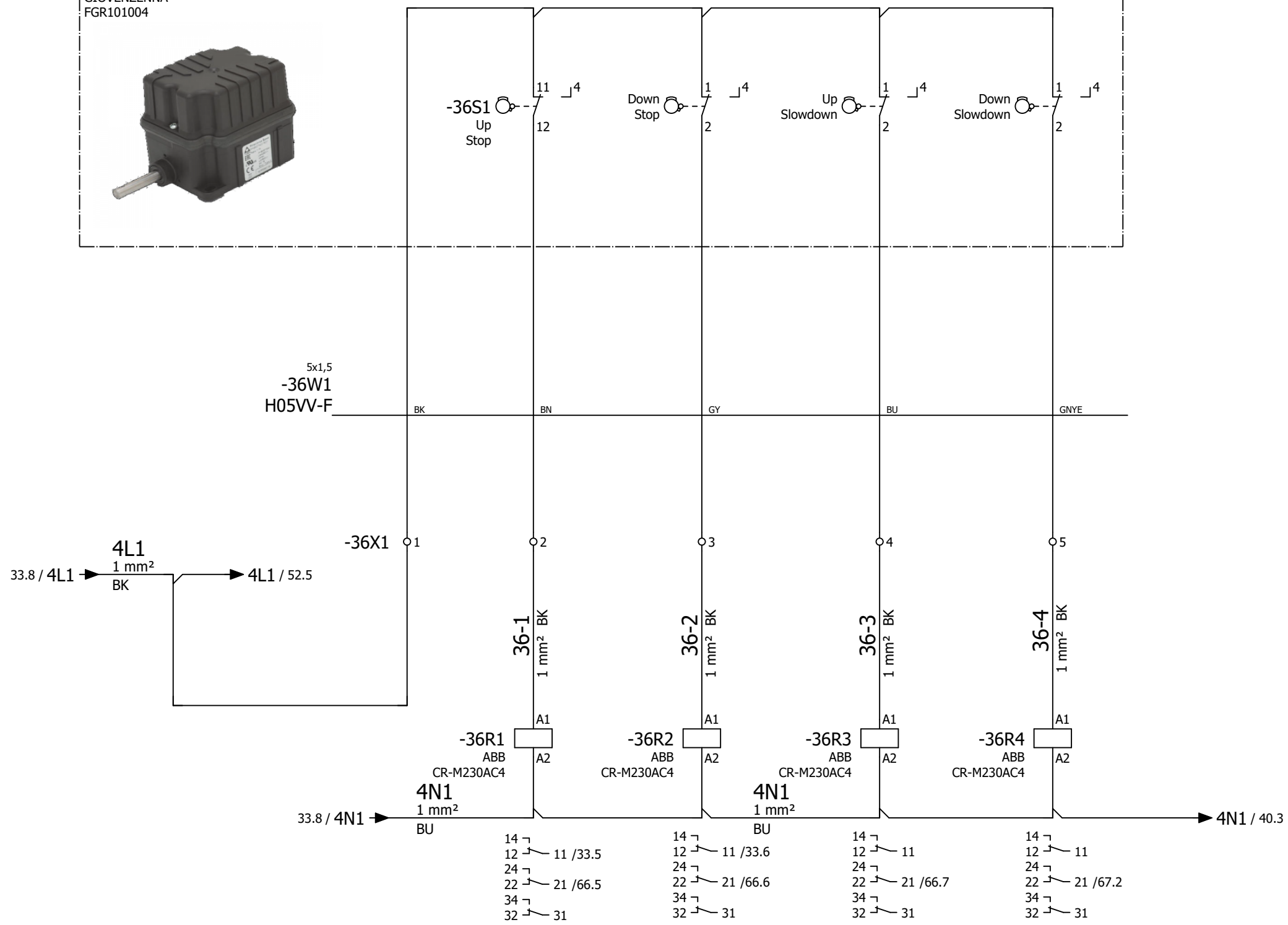
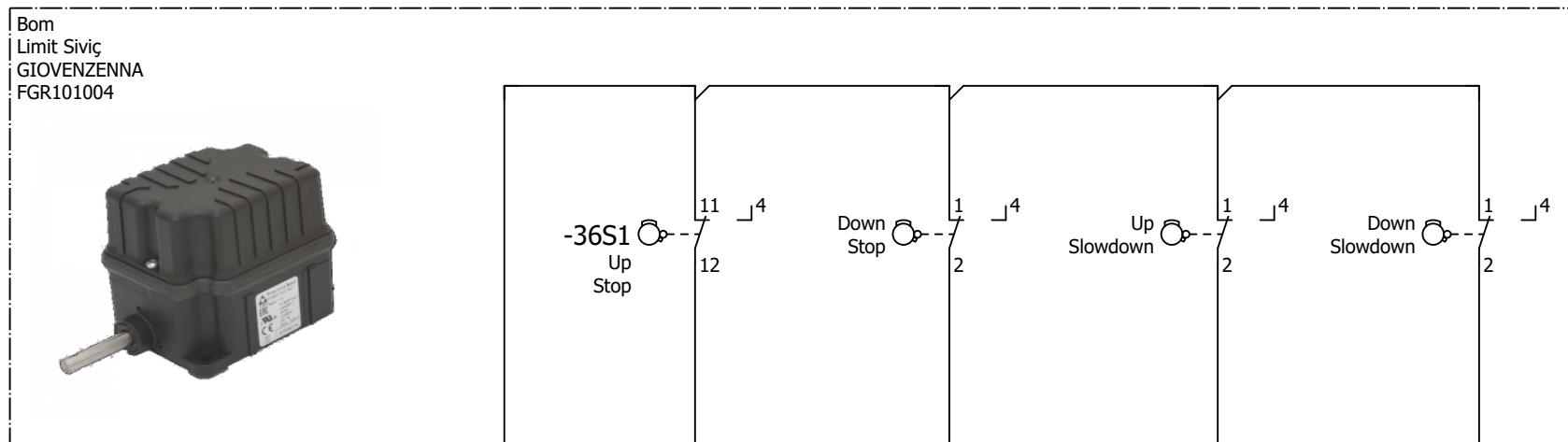
EDITOR	Kemal OLGUN
DATE	23.01.23
CONTROLLER	T.AKALTUN



= 00SMC00GH00x
+ SMC00
Page / 33
69



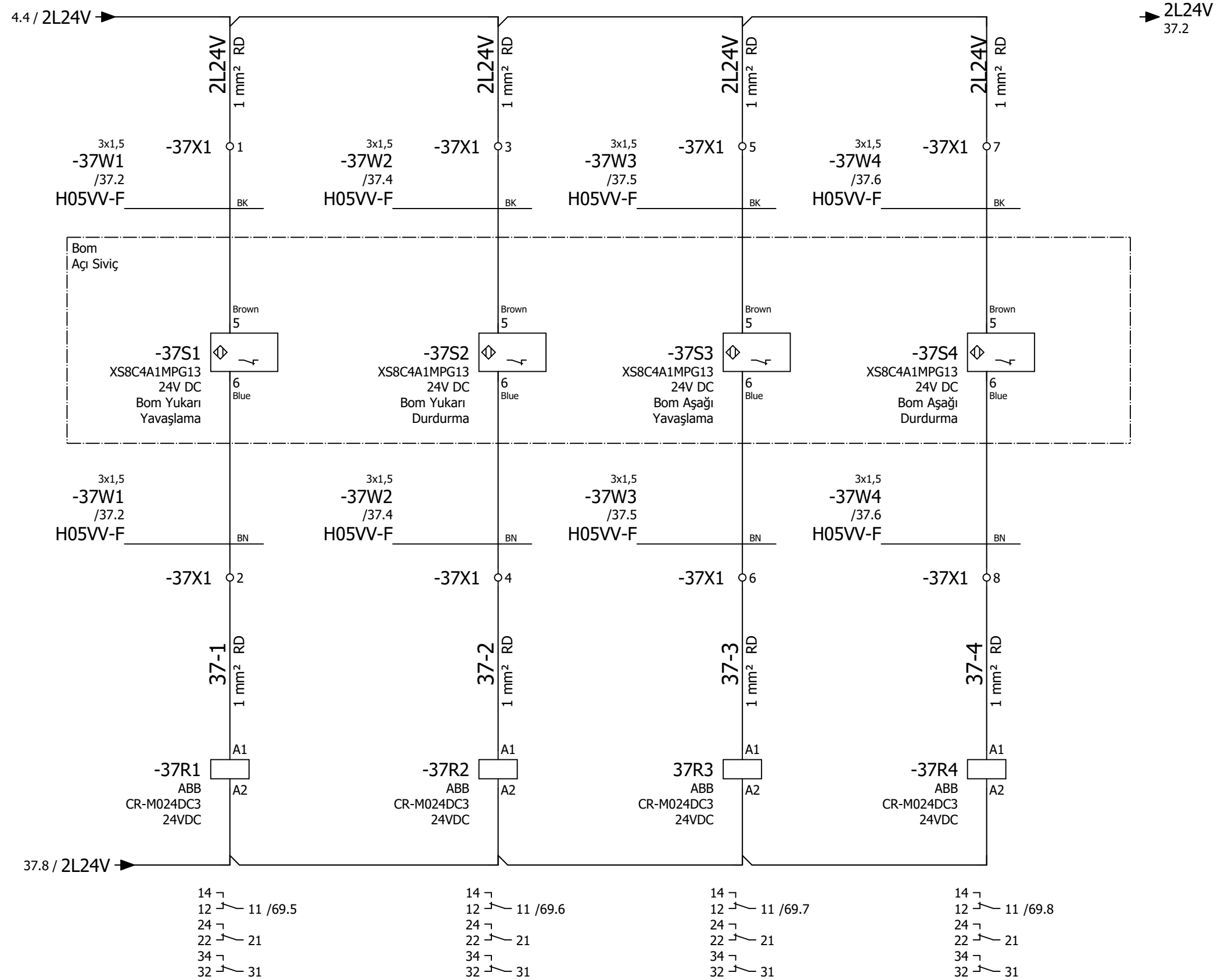




EDITOR	Kemal OLGUN
DATE	23.01.23
CONTROLLER	T.AKALTUN



= 00SMC00GH00x
+ SMC00
Page /36
72



EDITOR	Kemal OLGUN
DATE	23.01.23
CONTROLLER	T.AKALTUN

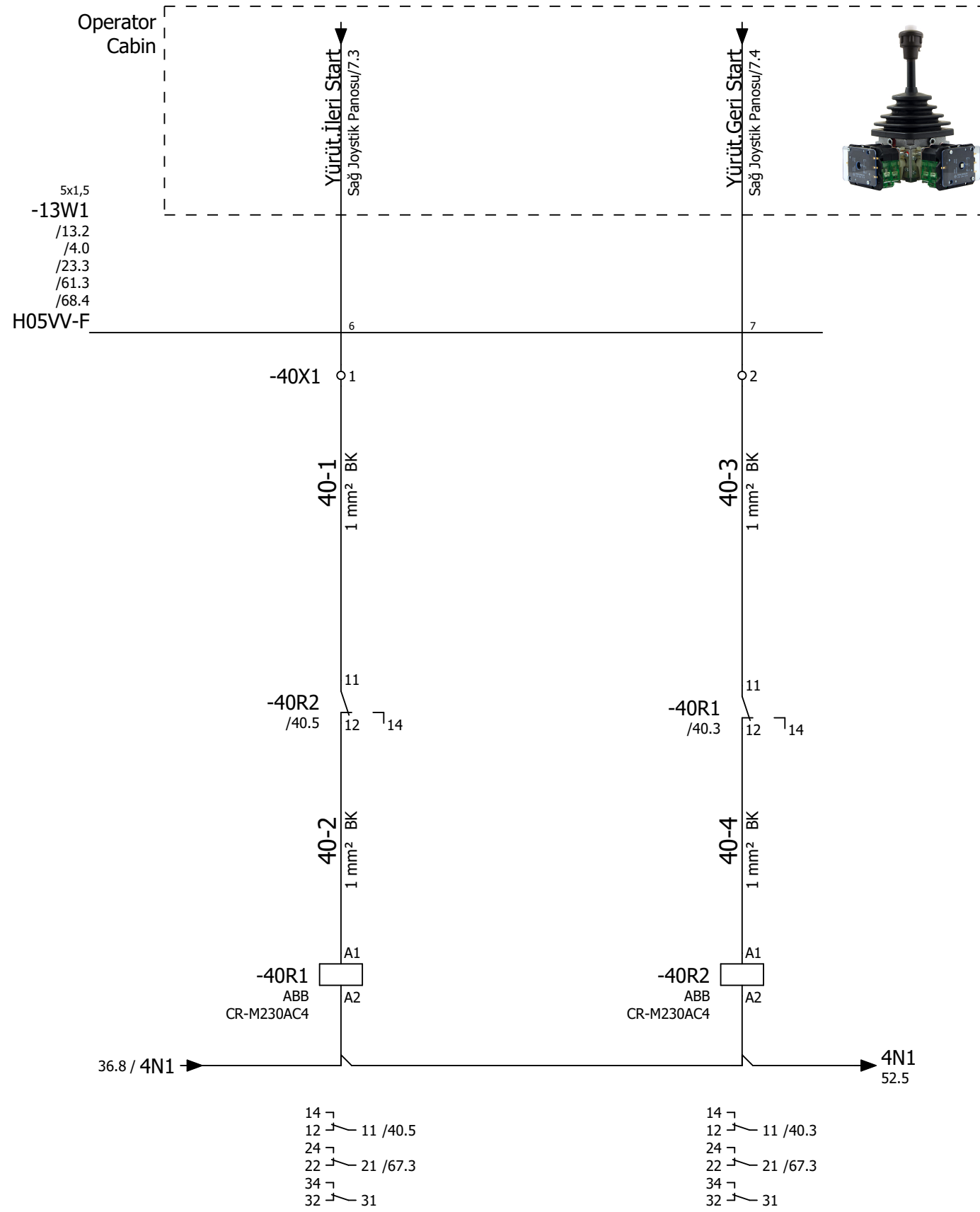


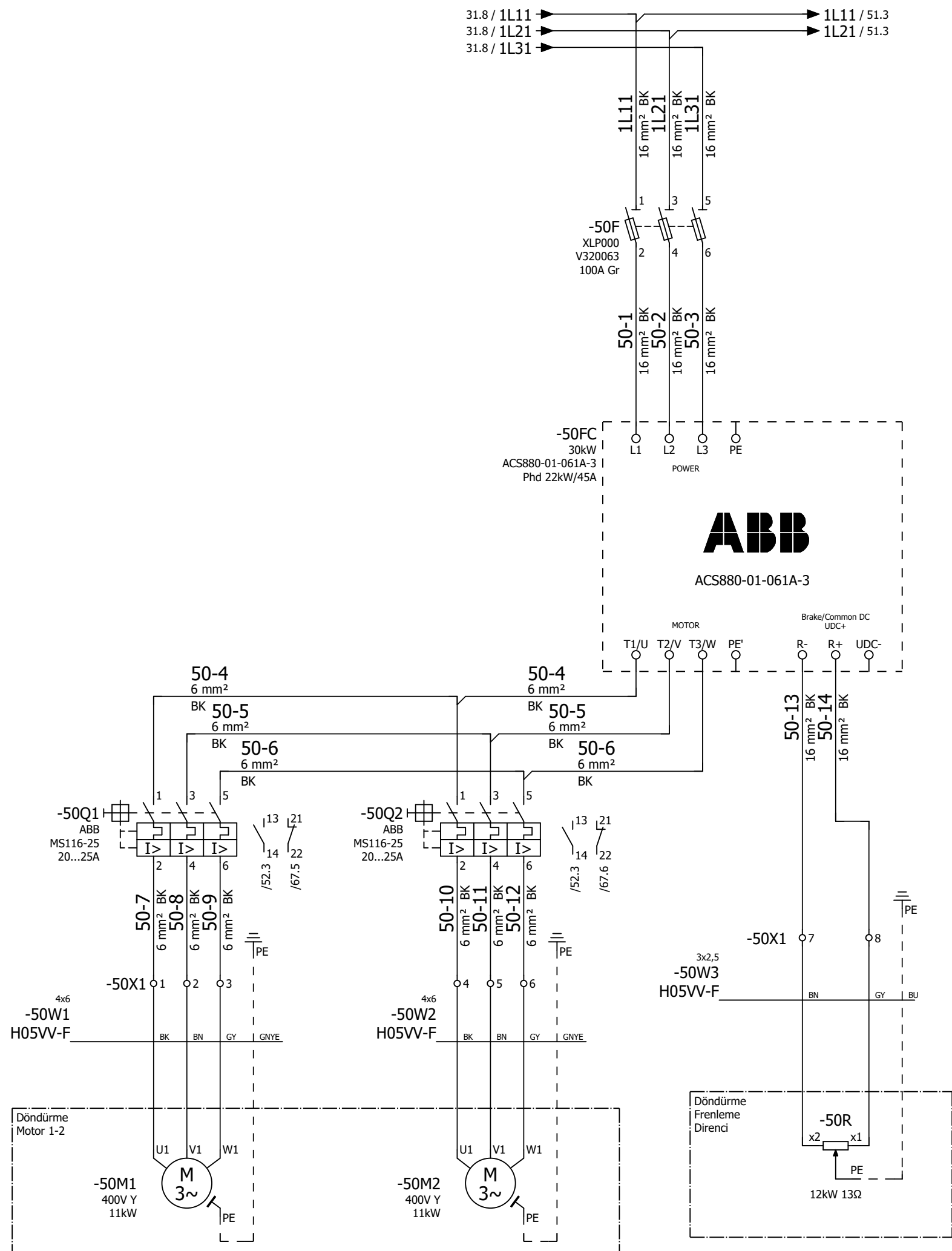
ADS MÜHENDİSLİK

Bom Açı Siviç

Ana Pano

= 00SMC00GH00x
+ SMC00
Page /37
73





EDITOR	Kemal OLGUN
DATE	23.01.23
CONTROLLER	T.AKALTUN

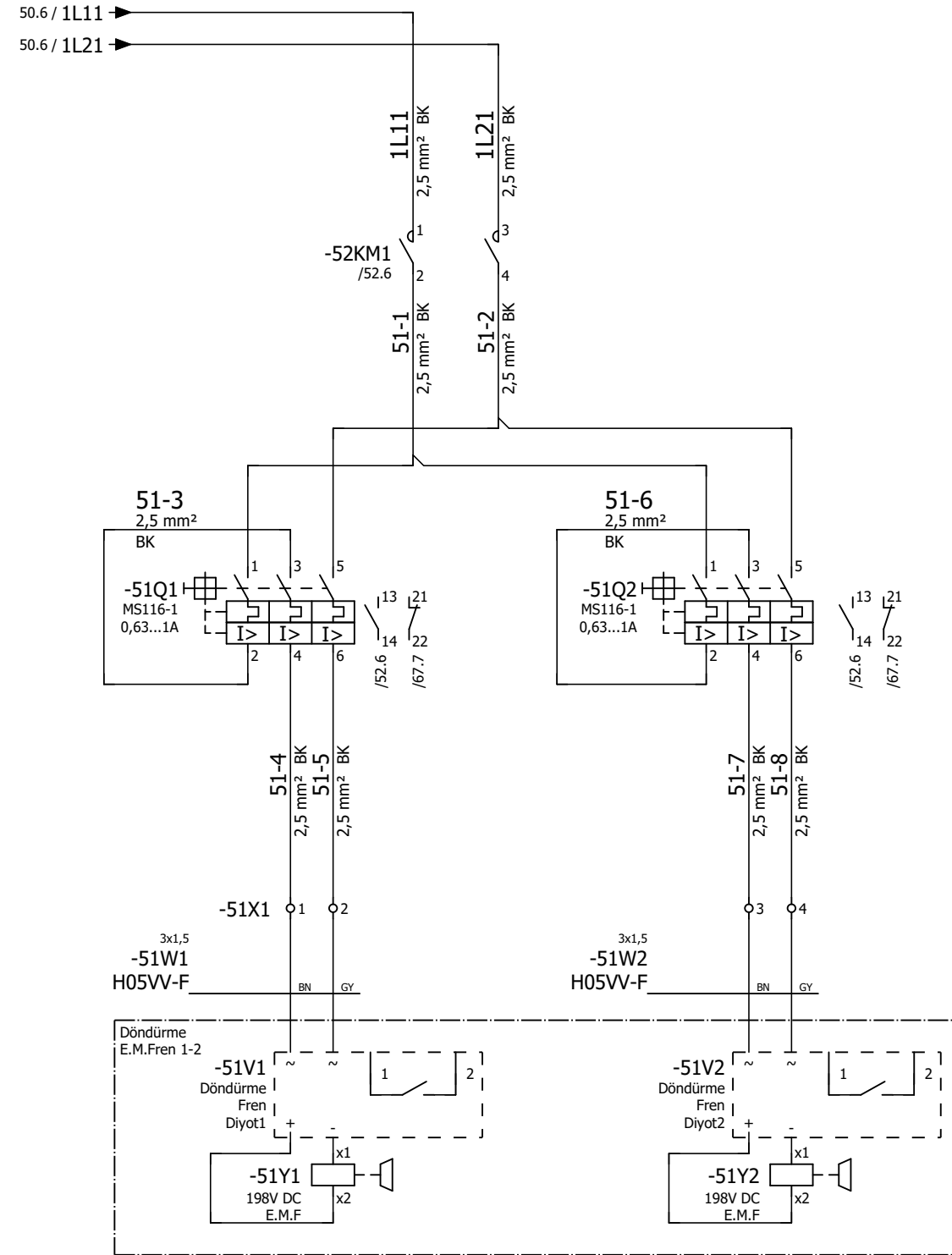


ADS MÜHENDİSLİK

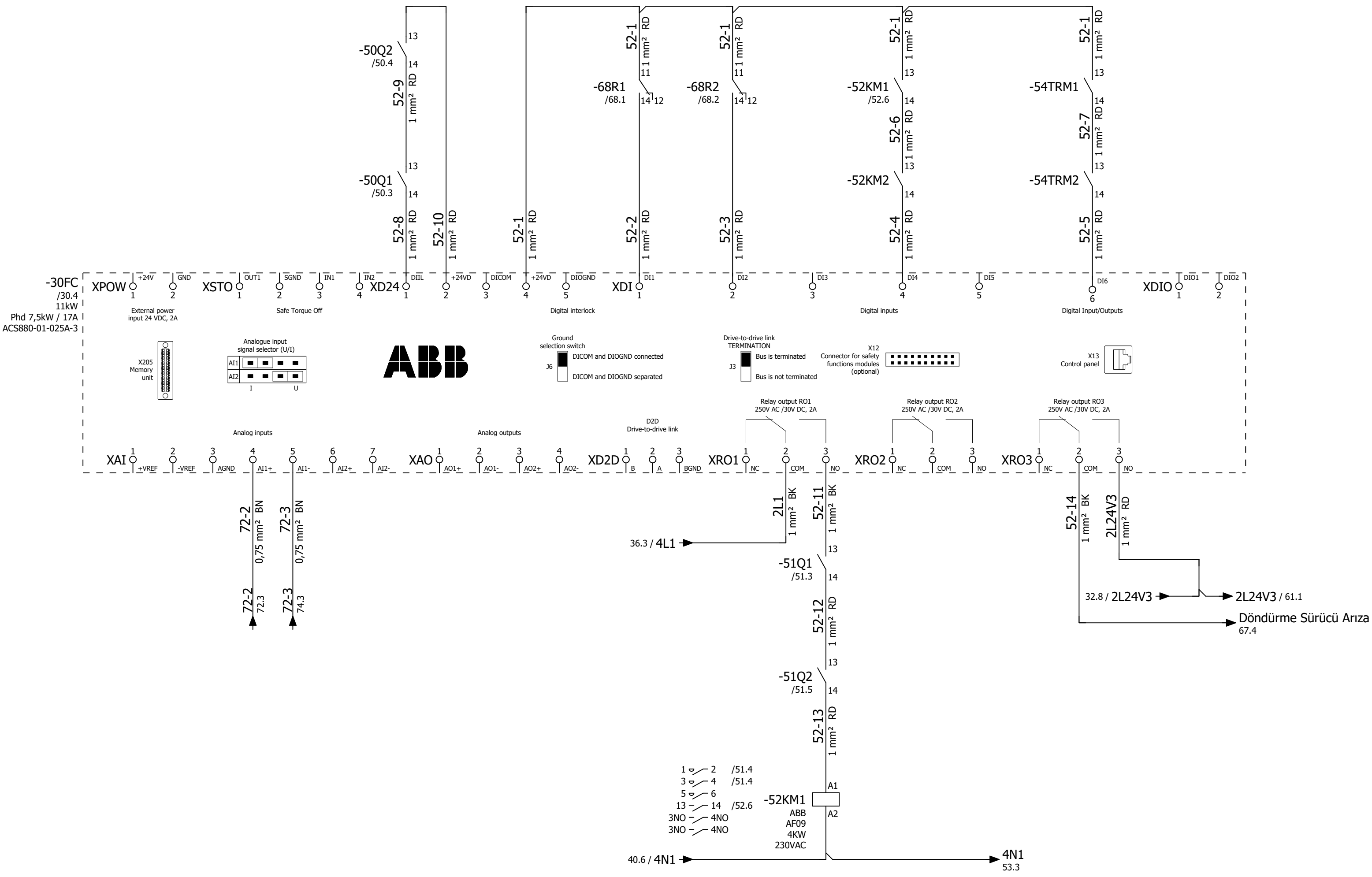
Döndürme Güç Devresi

Ana Pano

= 00SMC00GH00x
+ SMC00
Page / 50
75



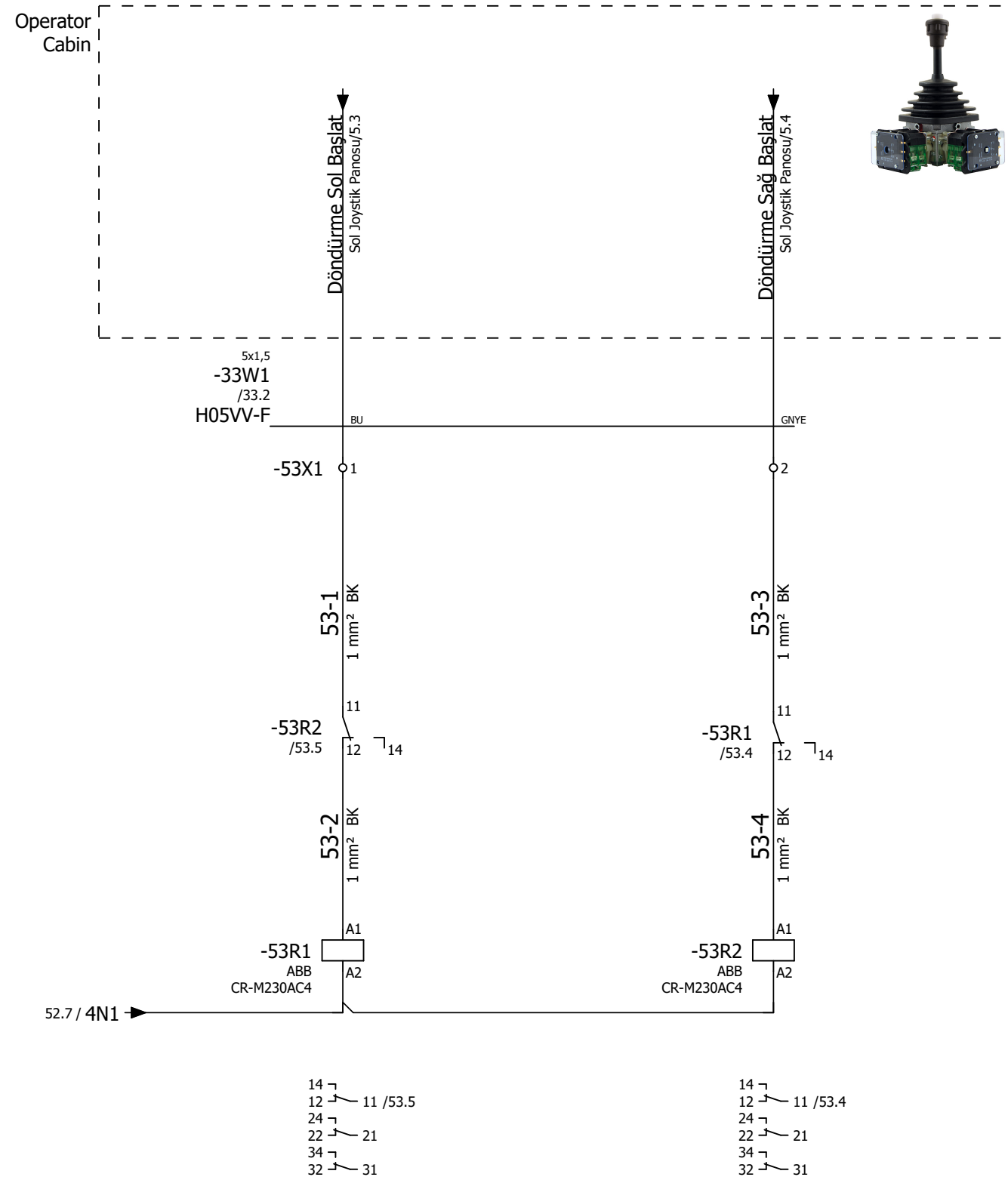
Döndürme Sol Başlat Döndürme Sağ Başlat Döndürme E.M.Fren/Eldro Fren Döndürme PTC Hata



EDITOR	Kemal OLGUN
DATE	23.01.23
CONTROLLER	T.AKALTUN

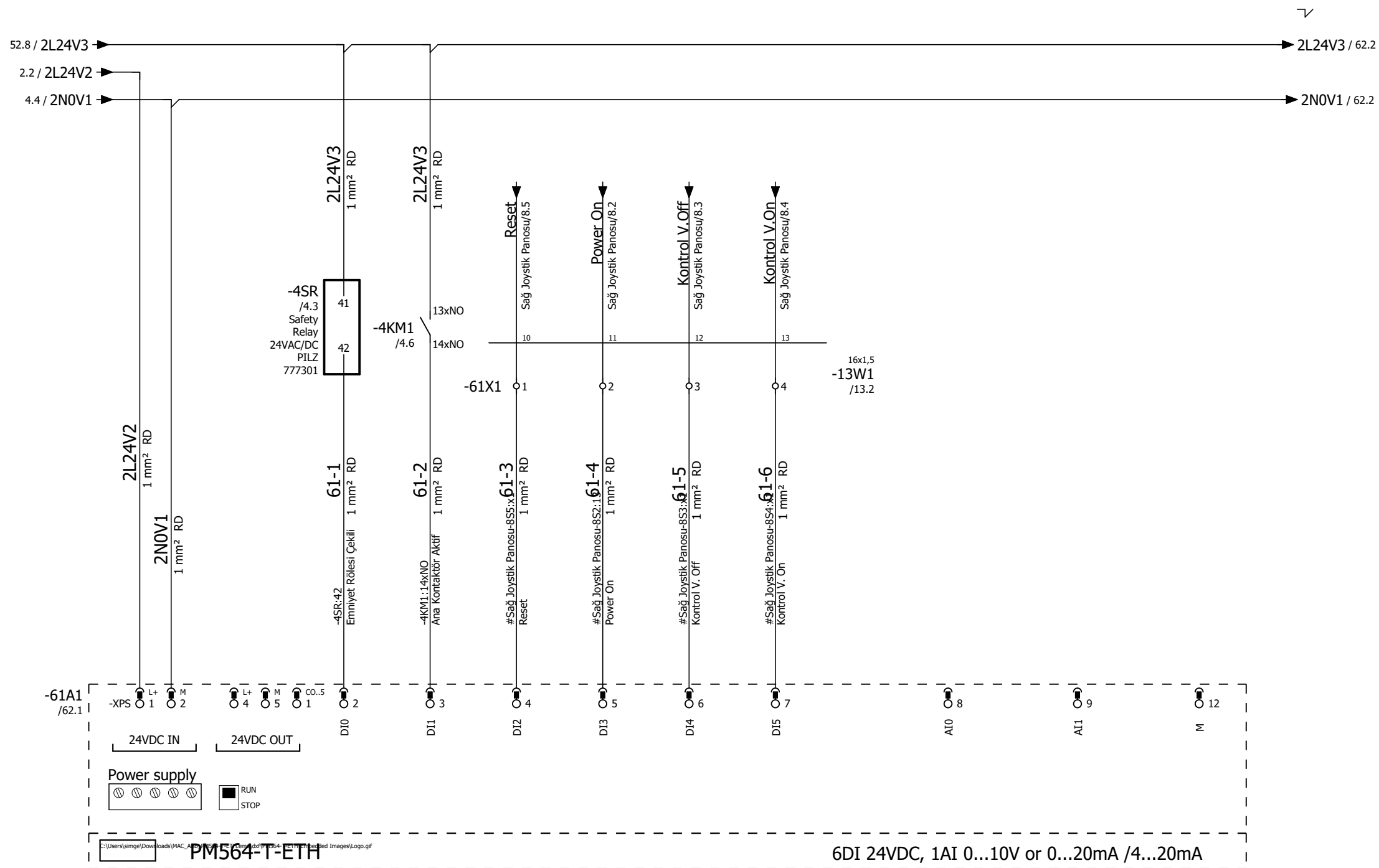


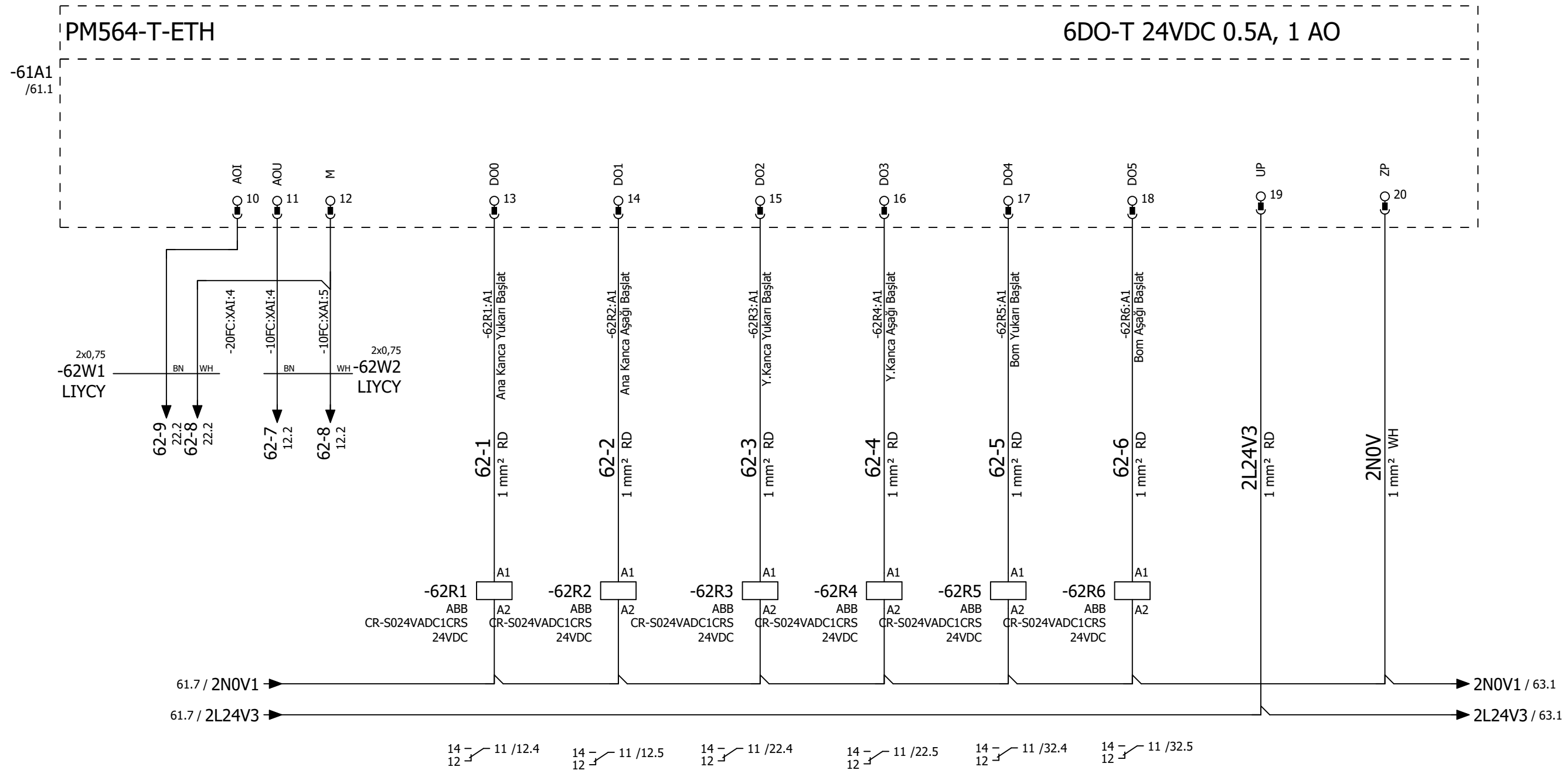
= 00SMC00GH00x
+ SMC00
Page /52
77



EDITOR	Kemal OLGUN
DATE	23.01.23
CONTROLLER	T.AKALTUN







EDITOR	Kemal OLGUN
DATE	23.01.23
CONTROLLER	T.AKALTUN

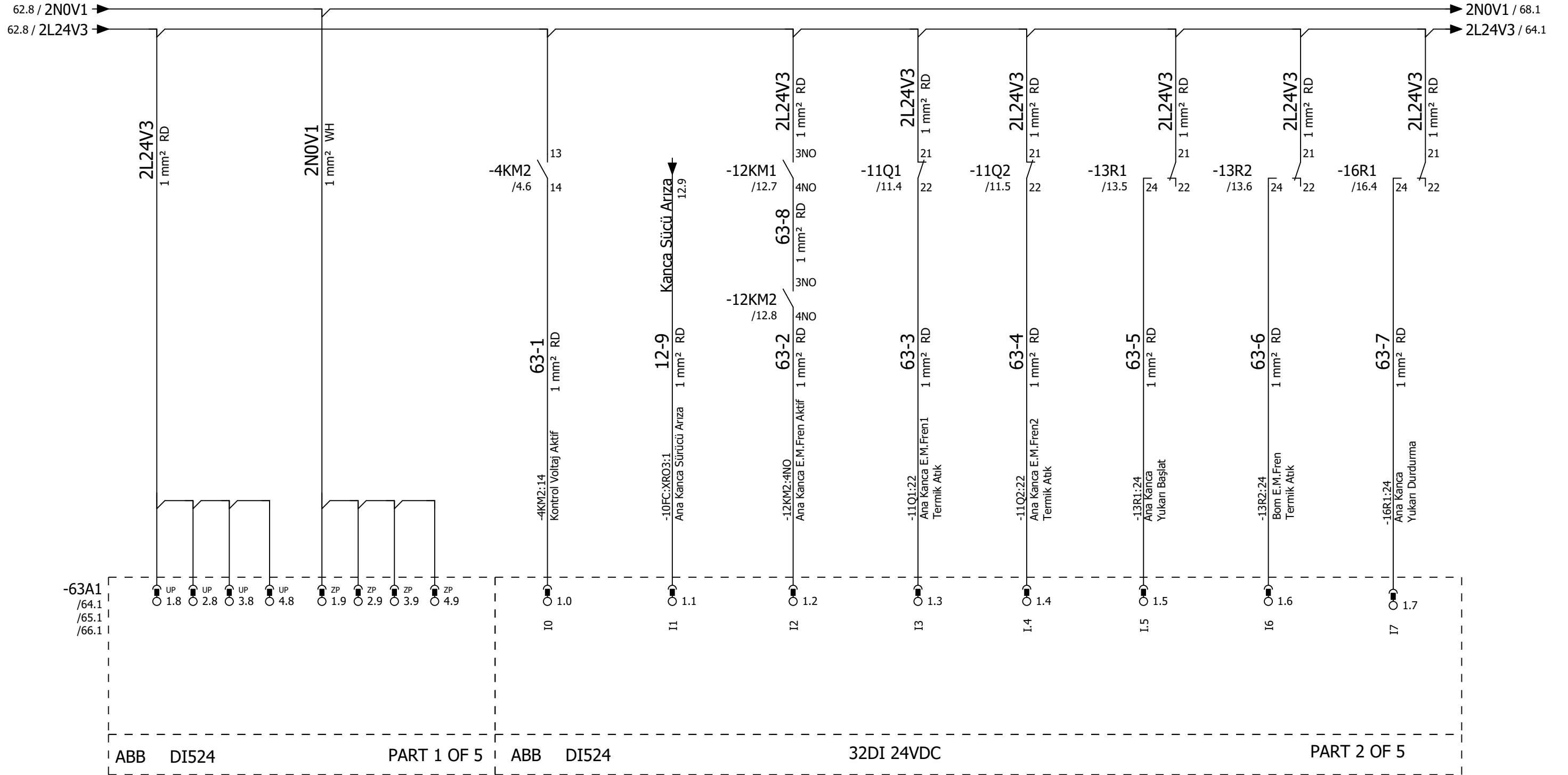


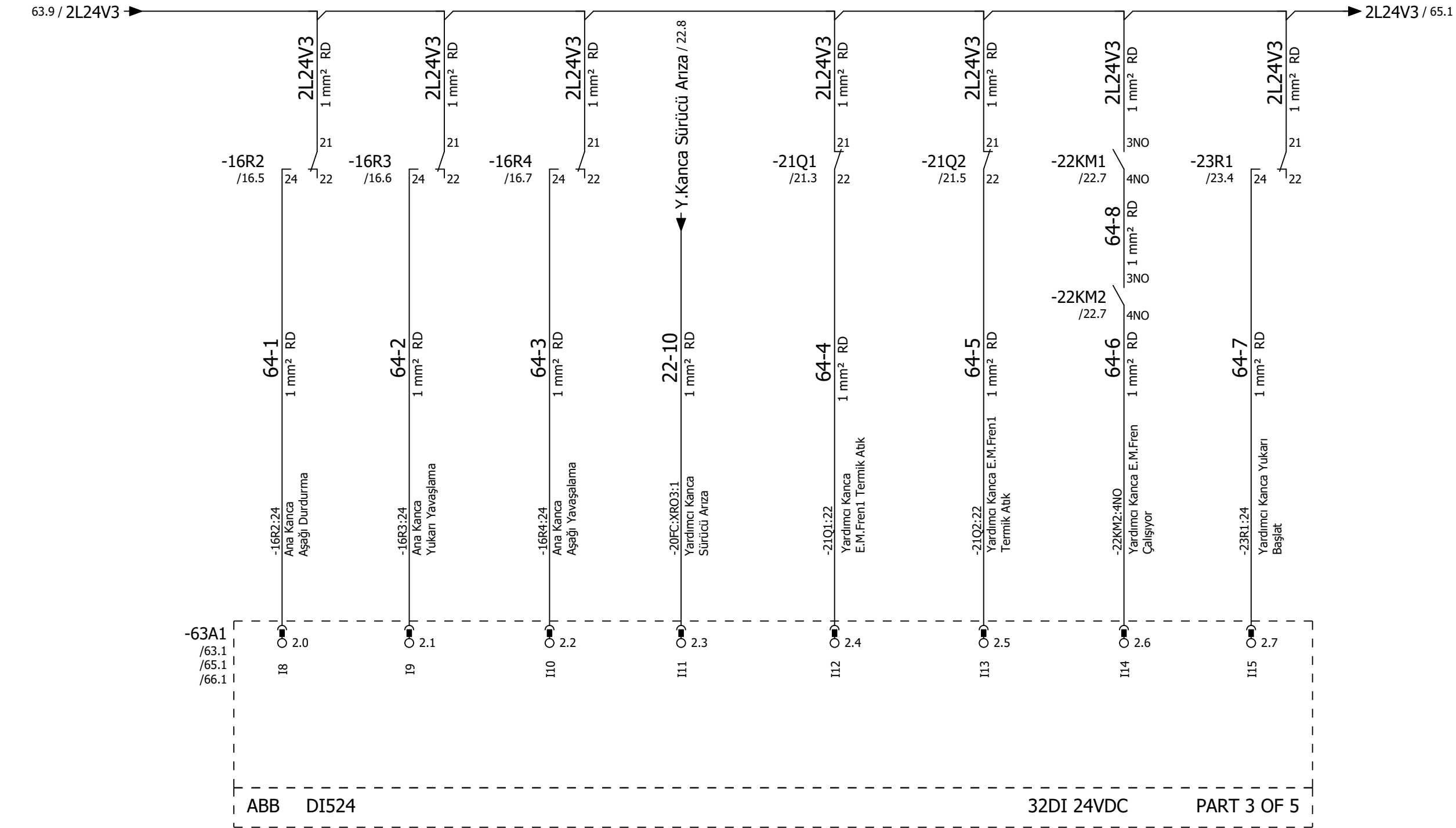
ADS MÜHENDİSLİK

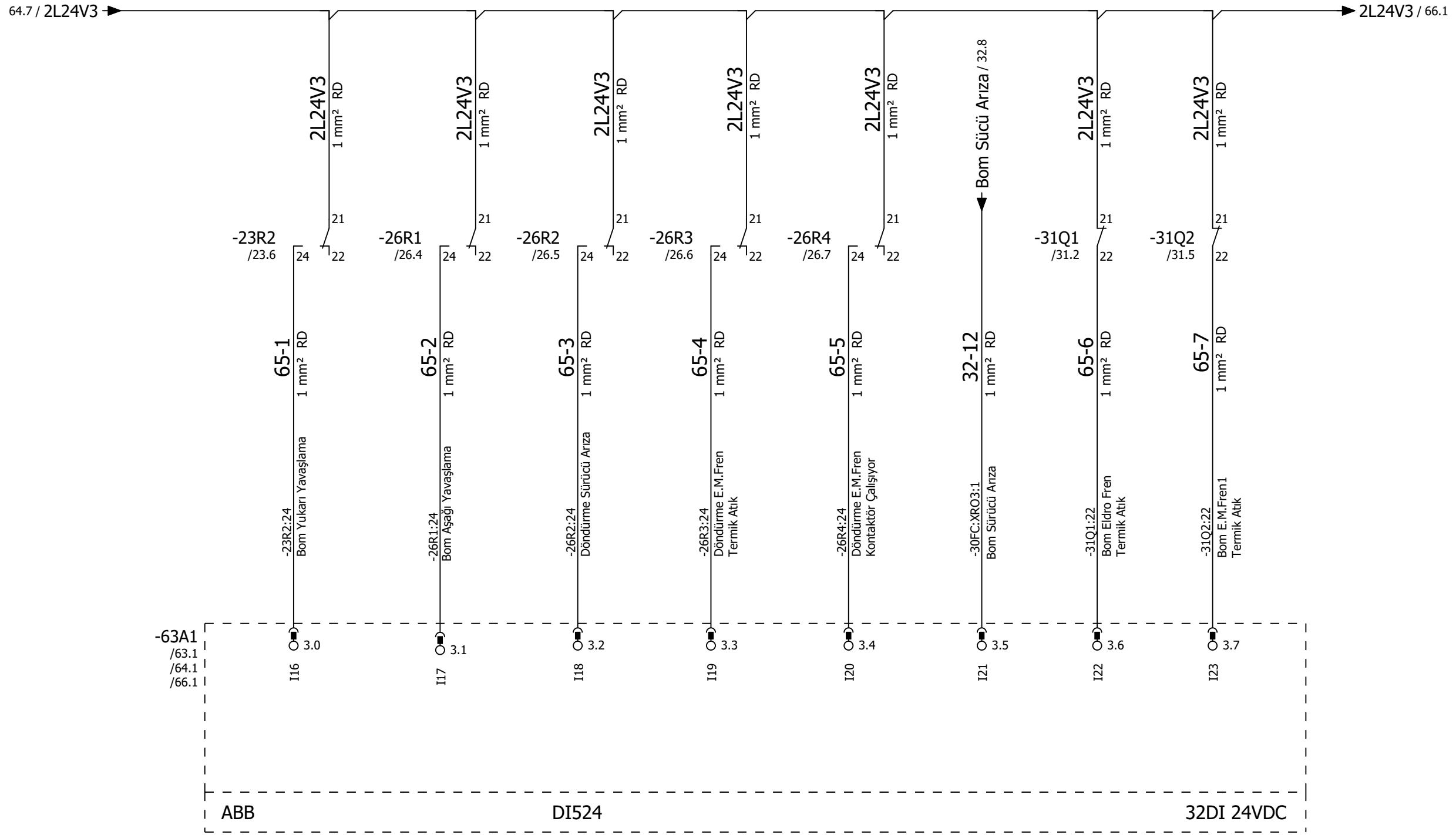
CPU/PM564-2AO-6DO

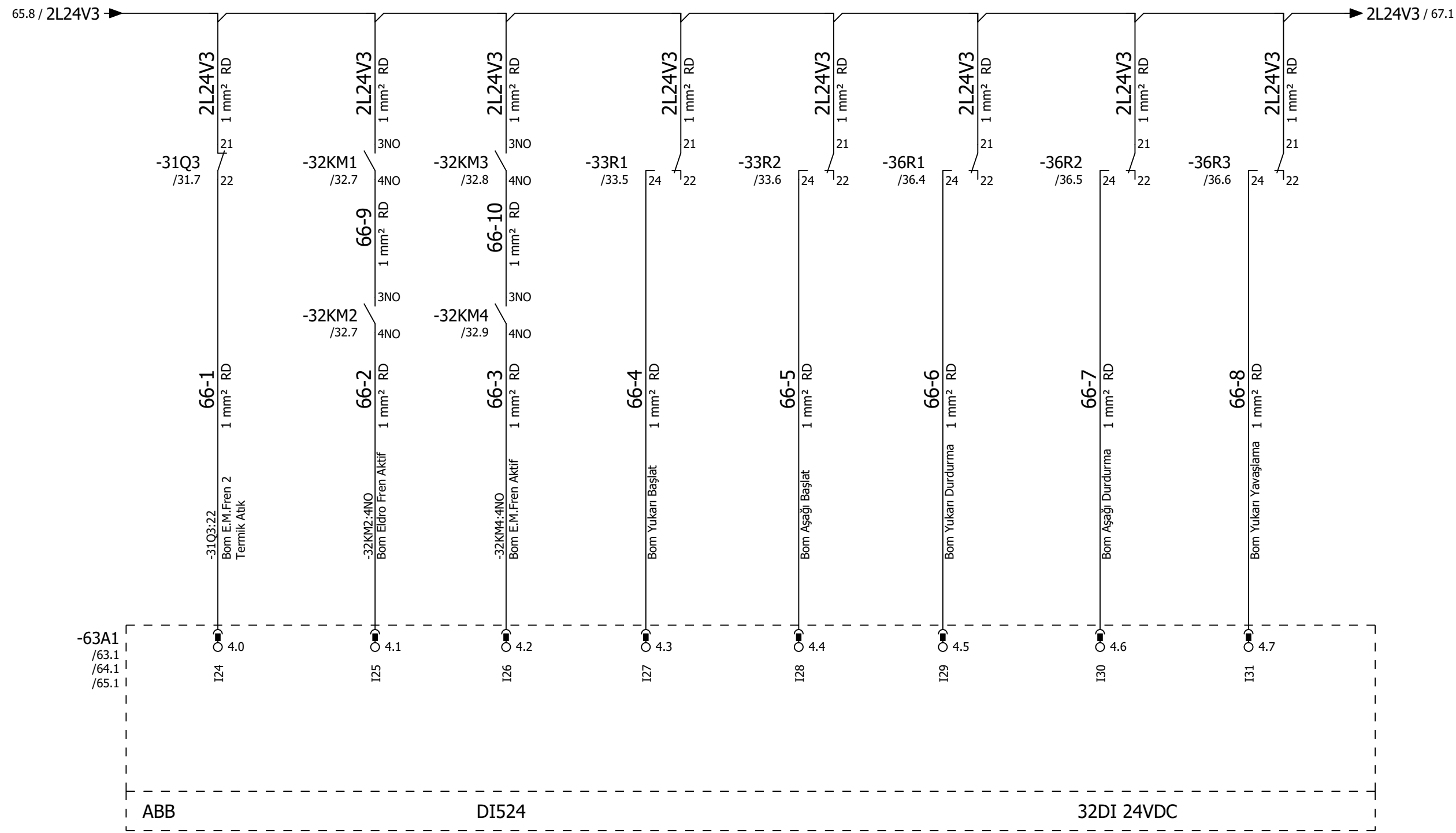
Ana Pano

= 00SMC00GH00x
+ SMC00
Page /62
81





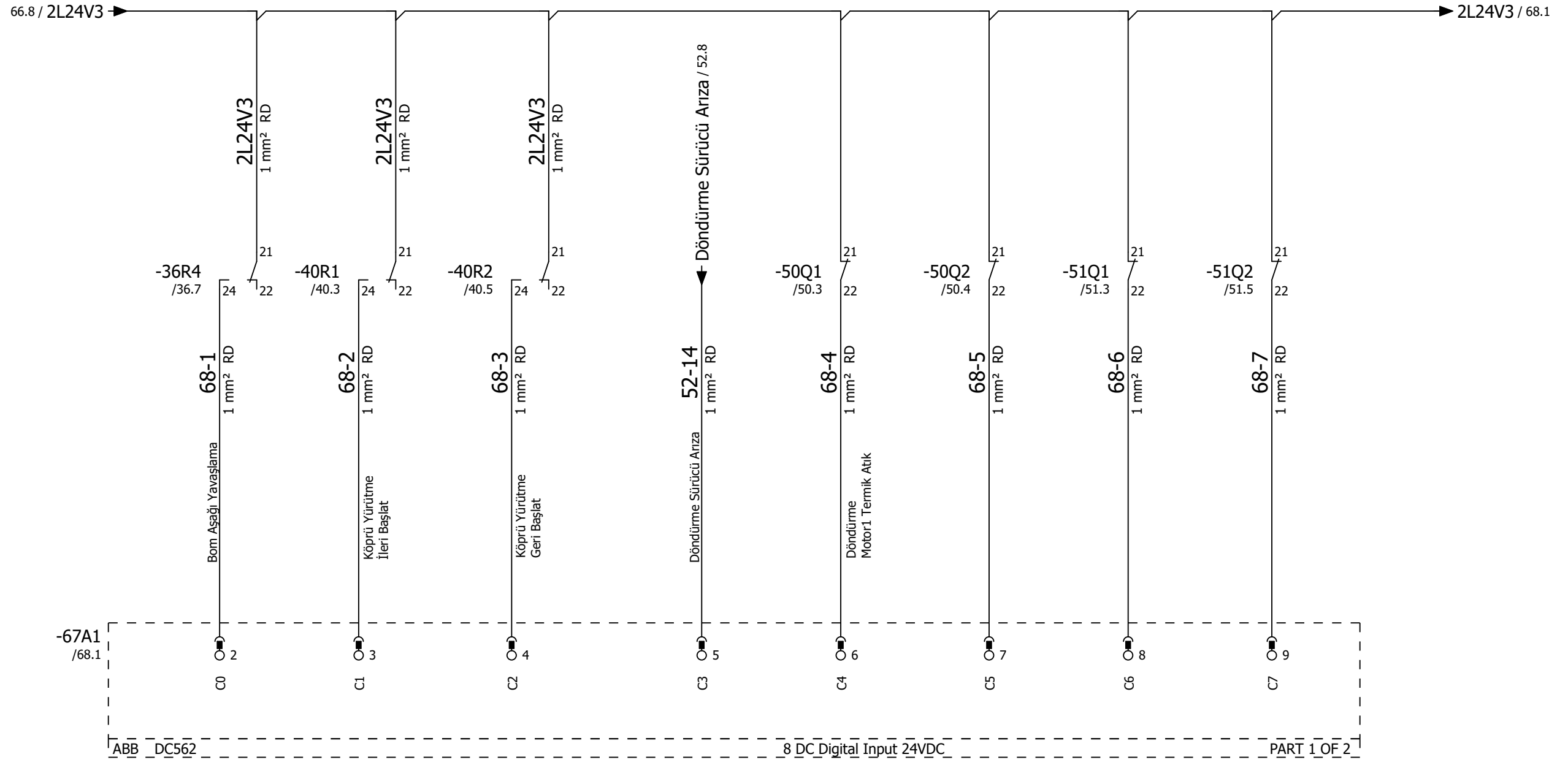




EDITOR	Kemal OLGUN
DATE	23.01.23
CONTROLLER	T.AKALTUN



= 00SMC00GH00x
+ SMC00
Page /66
85



EDITOR	Kemal OLGUN
DATE	23.01.23
CONTROLLER	T.AKALTUN

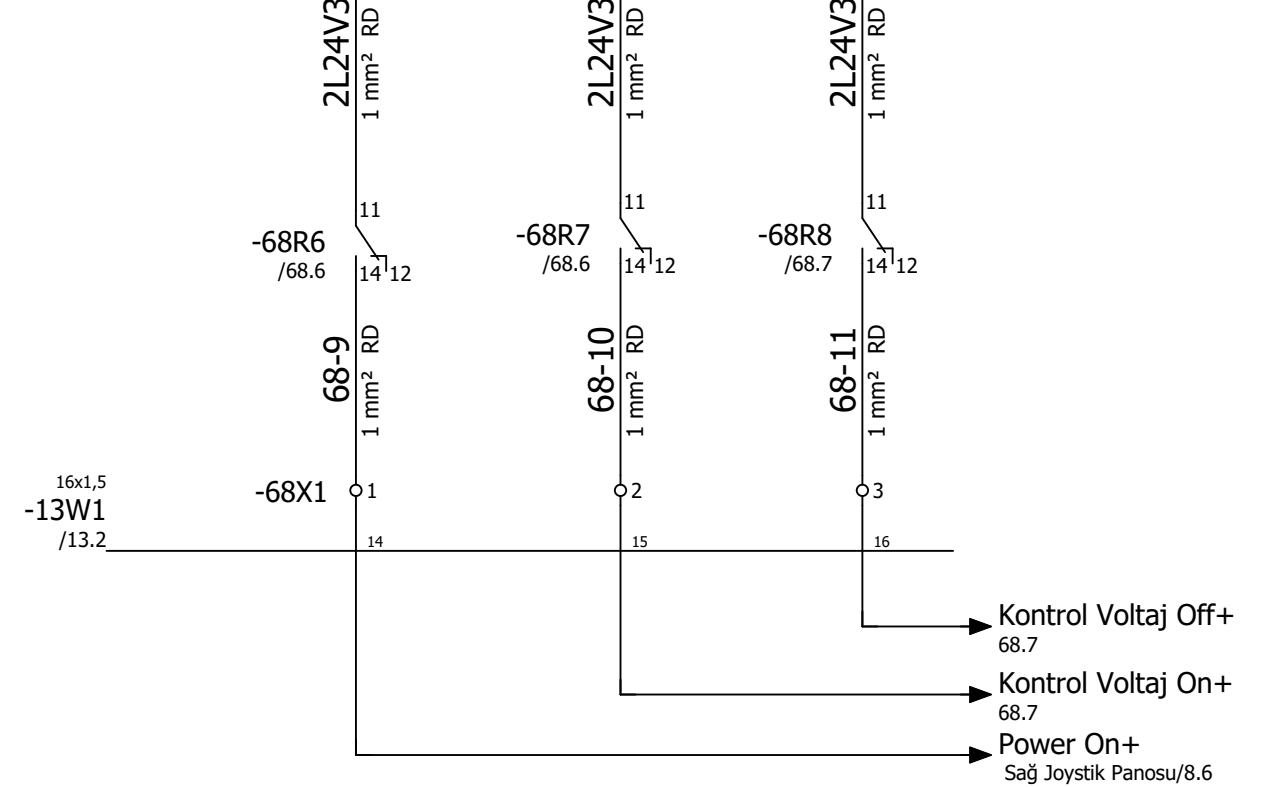
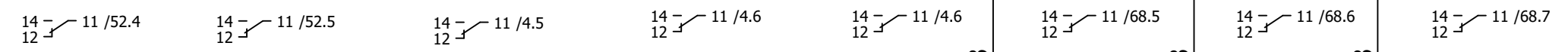
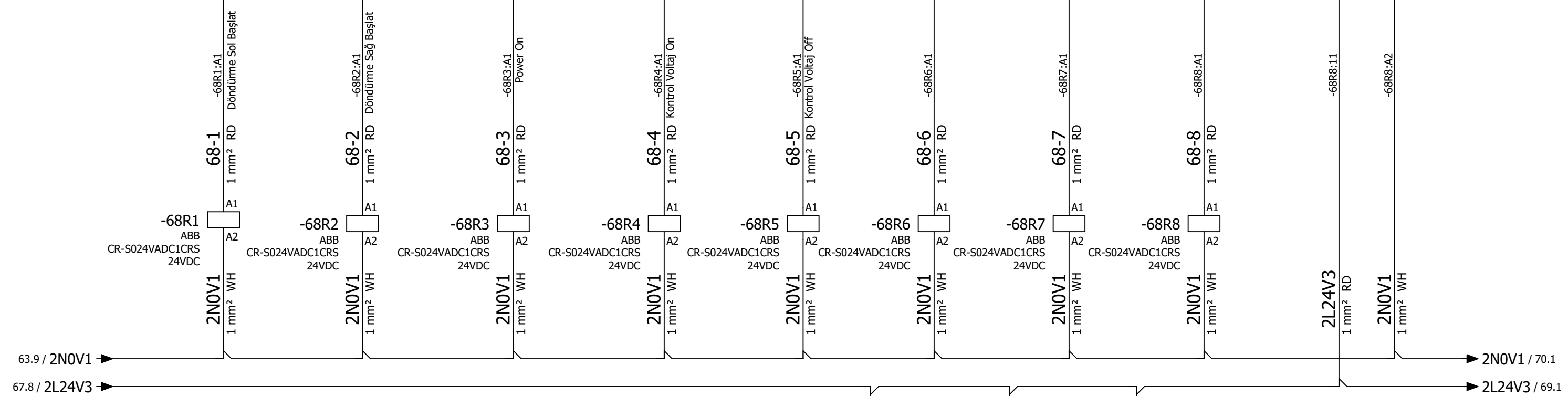
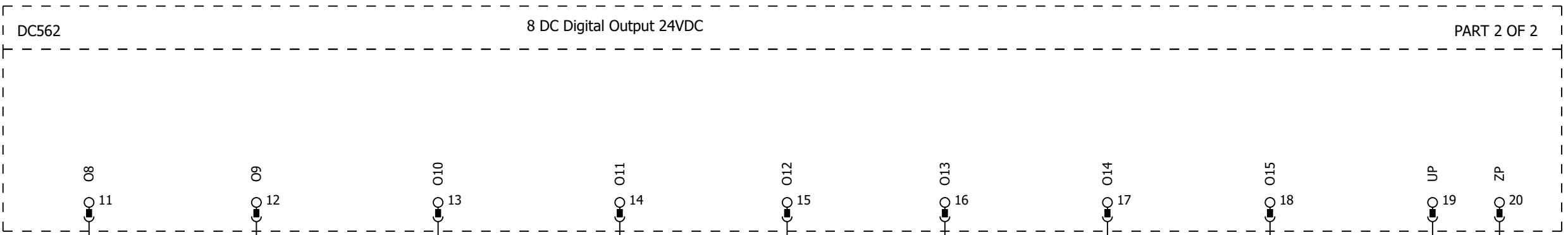


ADS MÜHENDİSLİK

KART2/DC562/DI8

Ana Pano

= 00SMC00GH00x
+ SMC00
Page /67
86

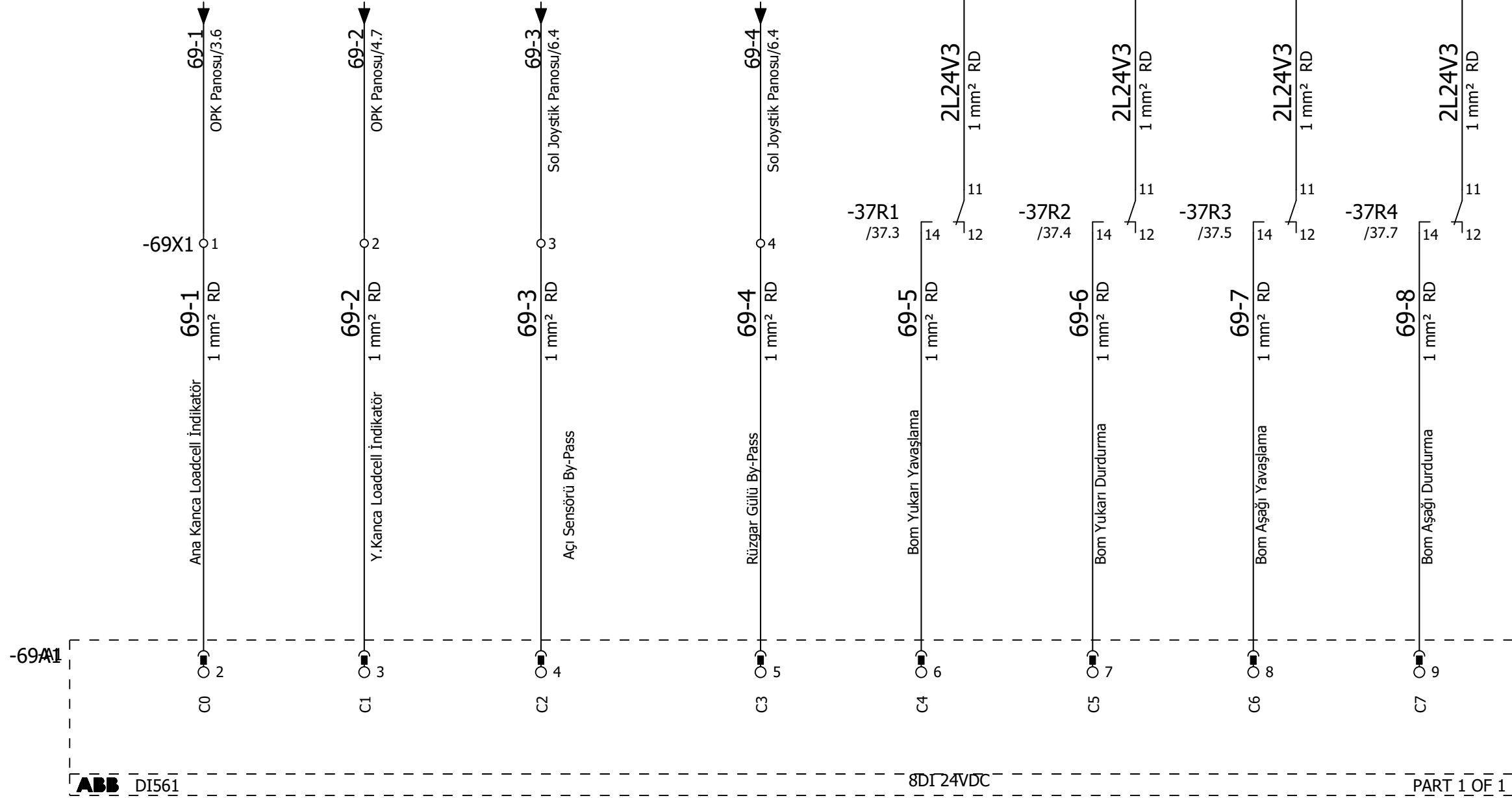


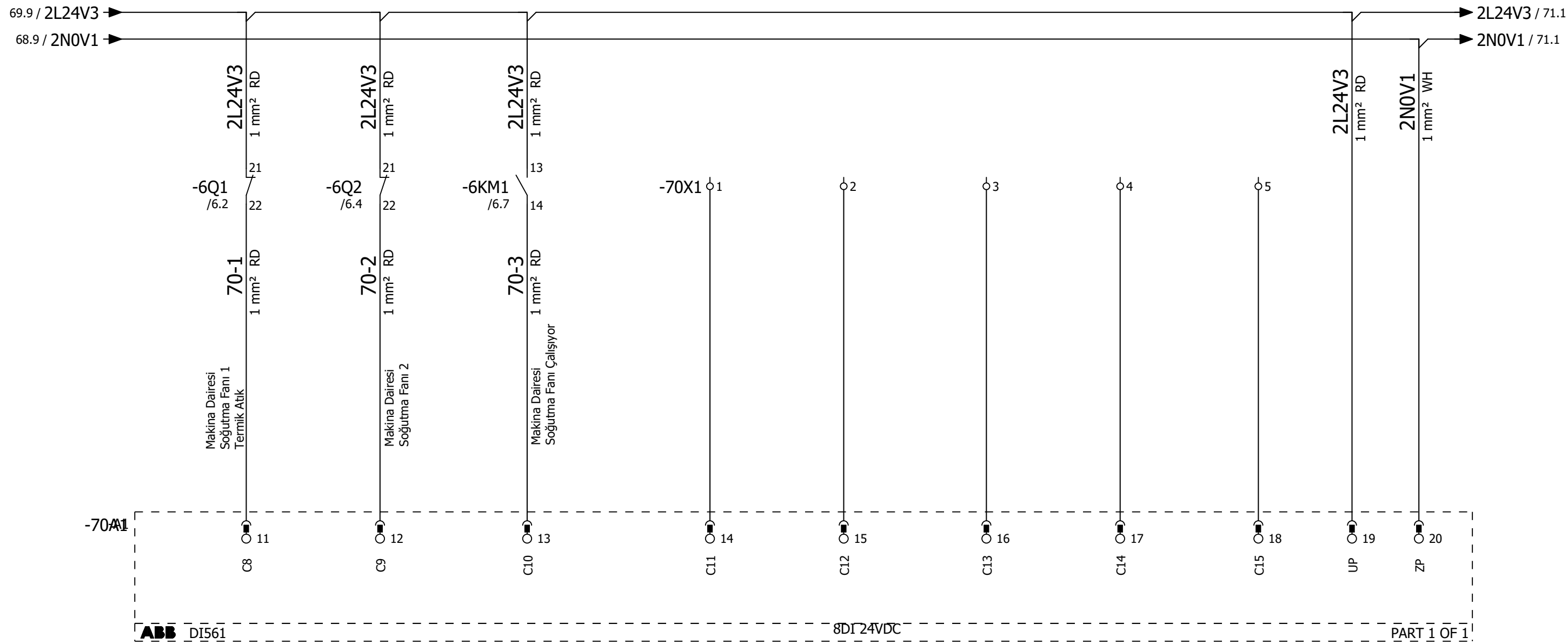
EDITOR	Kemal OLGUN
DATE	23.01.23
CONTROLLER	T.AKALTUN



= 00SMC00GH00x
+ SMC00
Page /68
87

68.9 / 2L24V3 → 2L24V3 / 70.1





EDITOR	Kemal OLGUN
DATE	23.01.23
CONTROLLER	T.AKALTUN

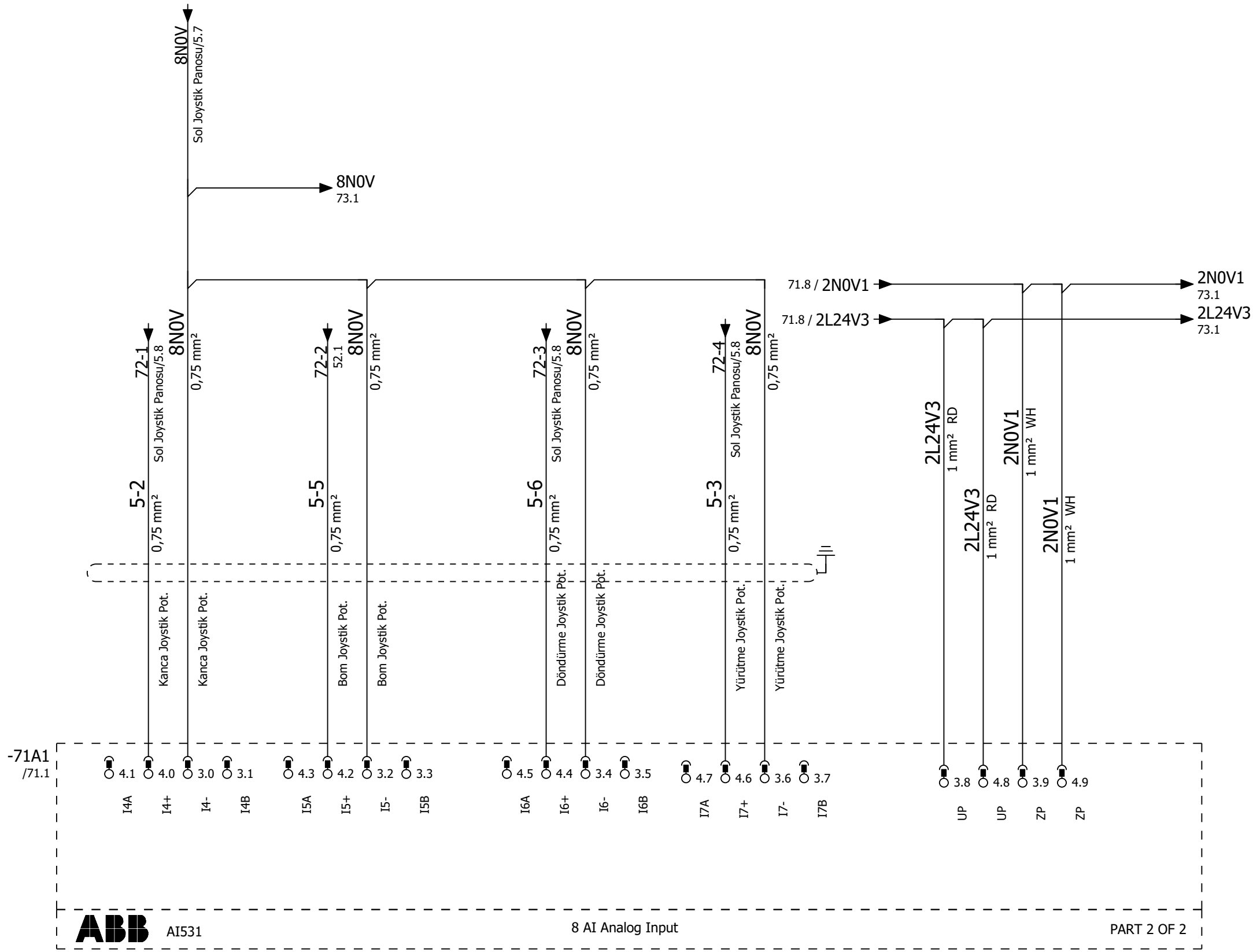


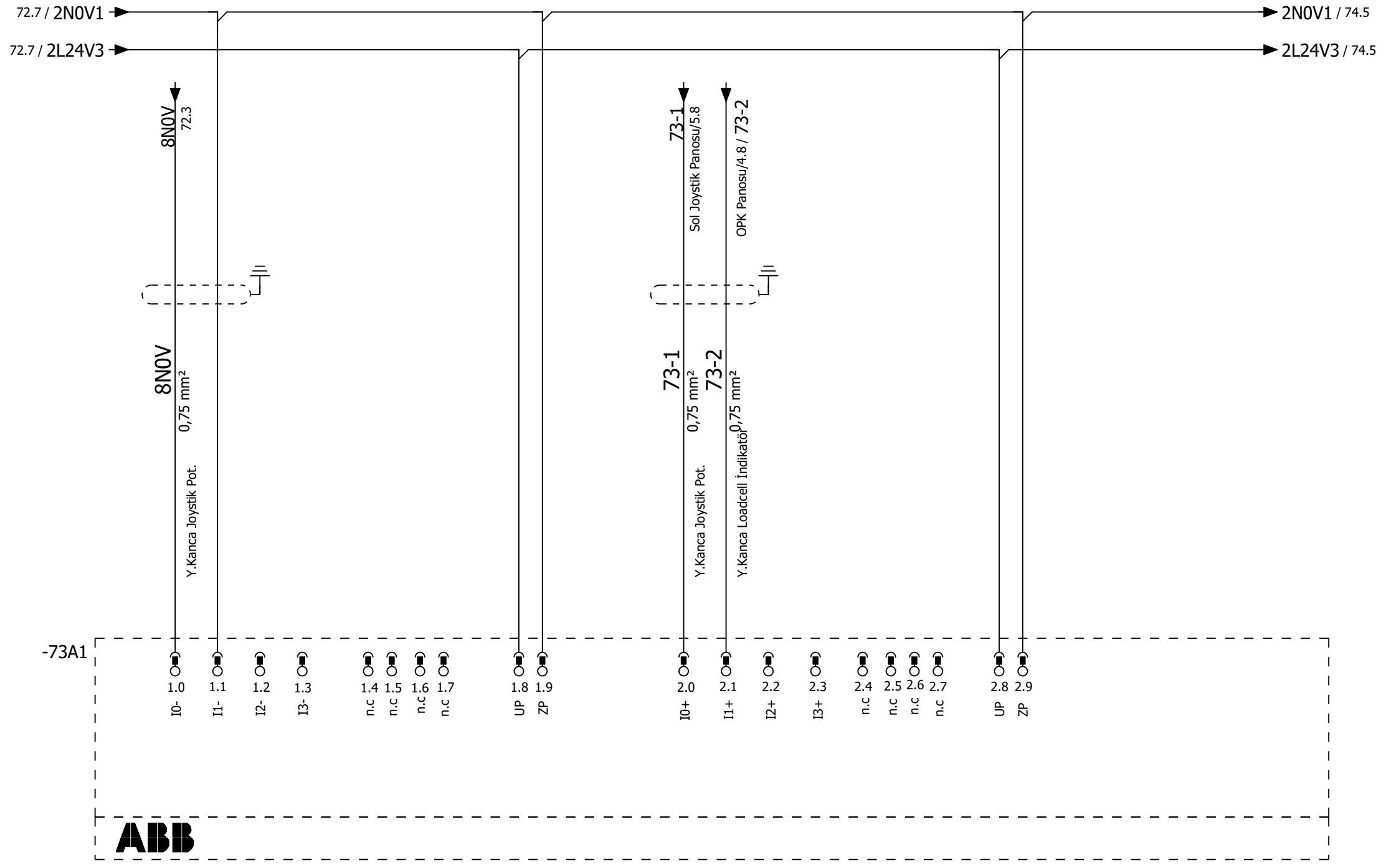
ADS MÜHENDİSLİK

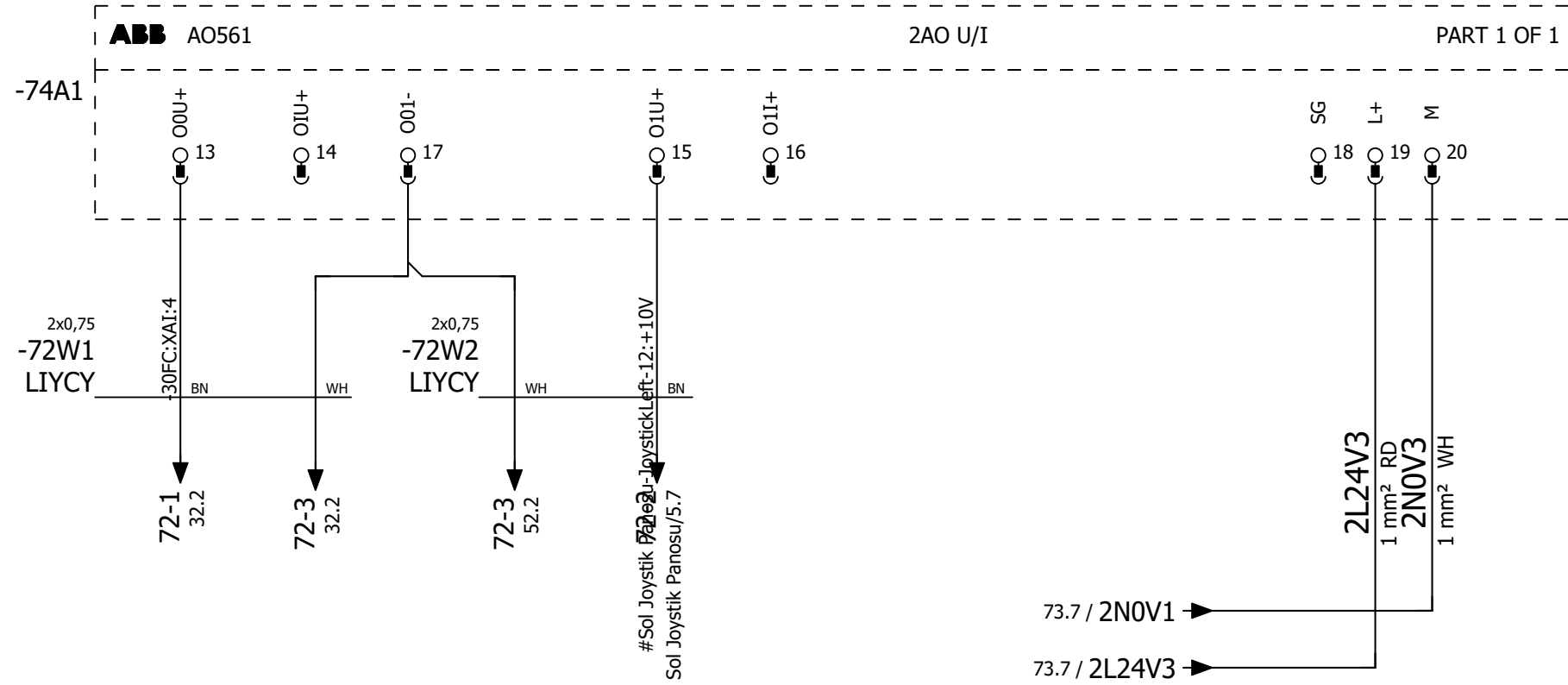
KART3/DC562/DI16

Ana Pano

= 00SMC00GH00x
+ SMC00
Page / 70
89



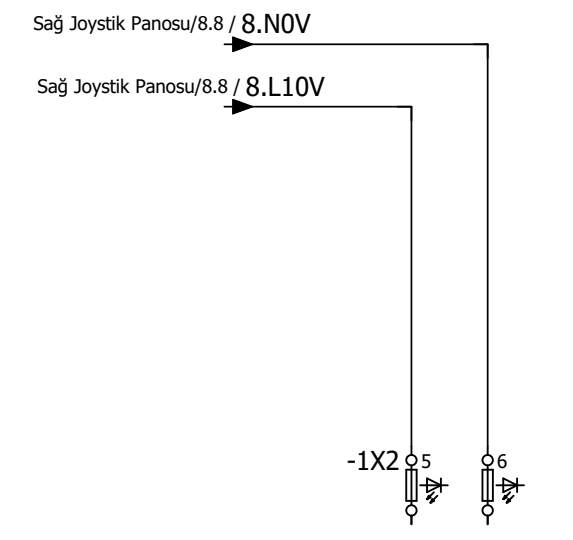
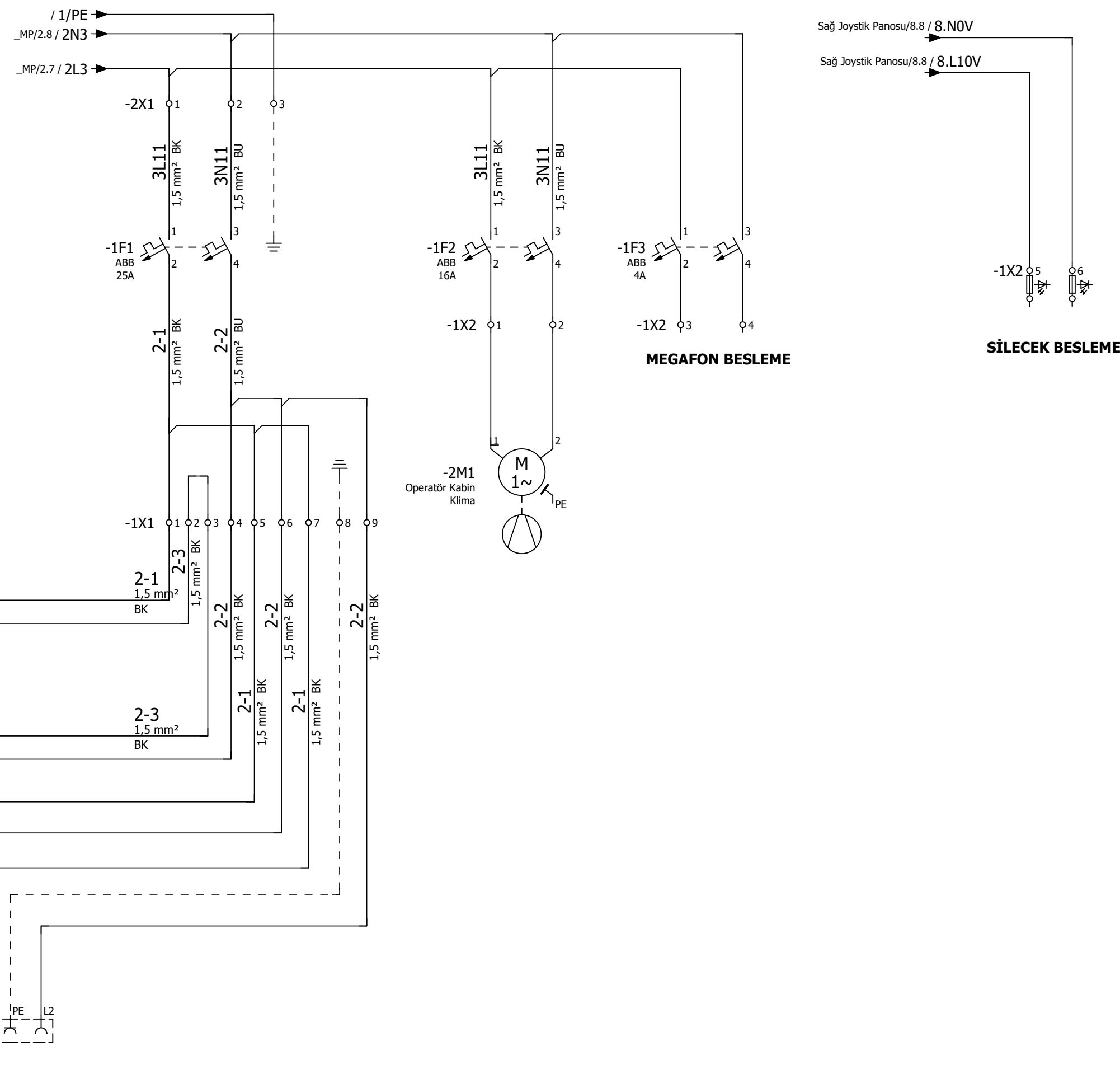




EDITOR	Kemal OLGUN
DATE	23.01.23
CONTROLLER	T.AKALTUN



= 00SMC00GH00x
+ SMC00
Page /74
93



MEGAFON BESLEME

SİLECEK BESLEME

EDITOR	Kemal OLGUN
DATE	23.01.23
CONTROLLER	T.AKALTUN

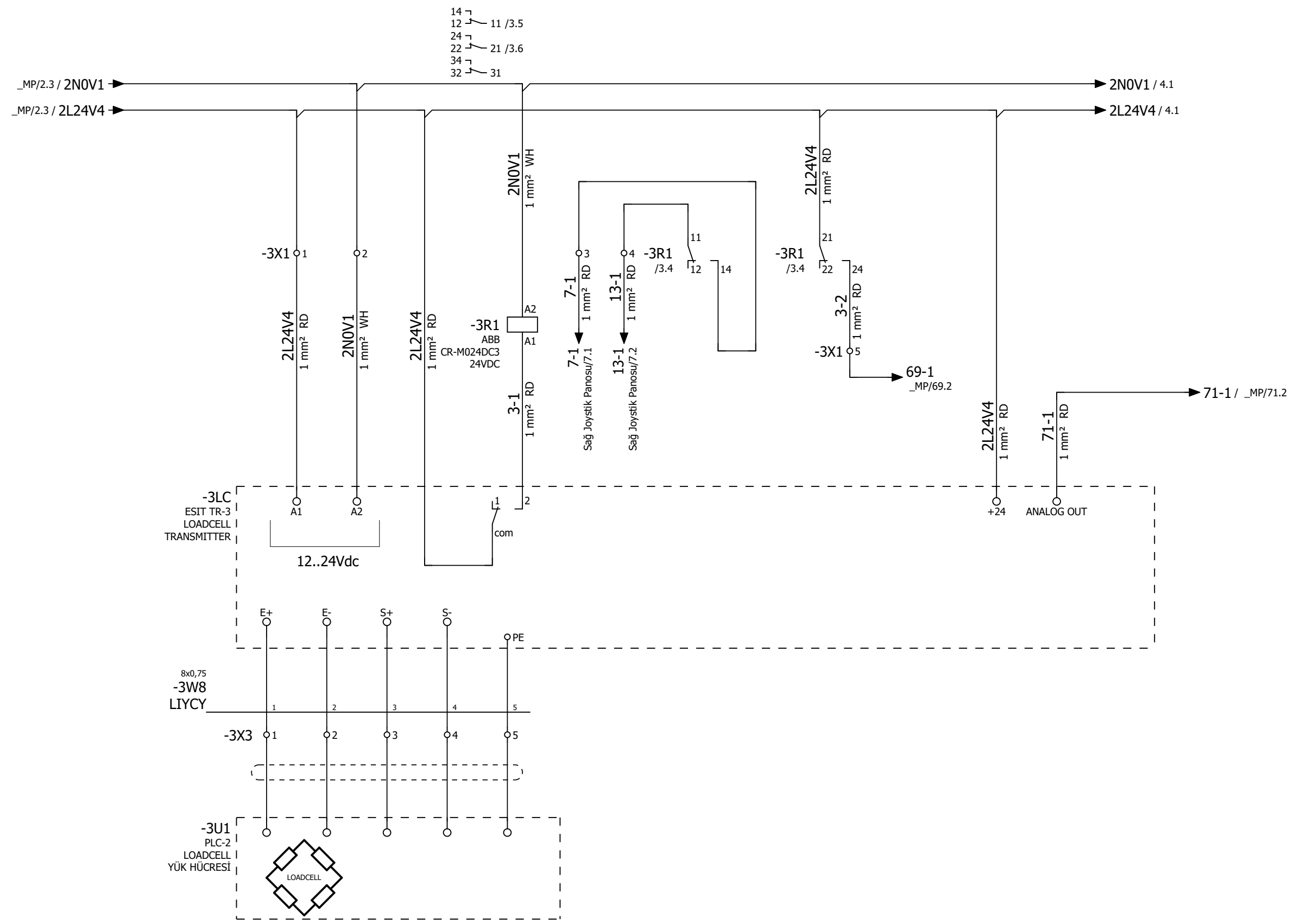


ADS MÜHENDİSLİK

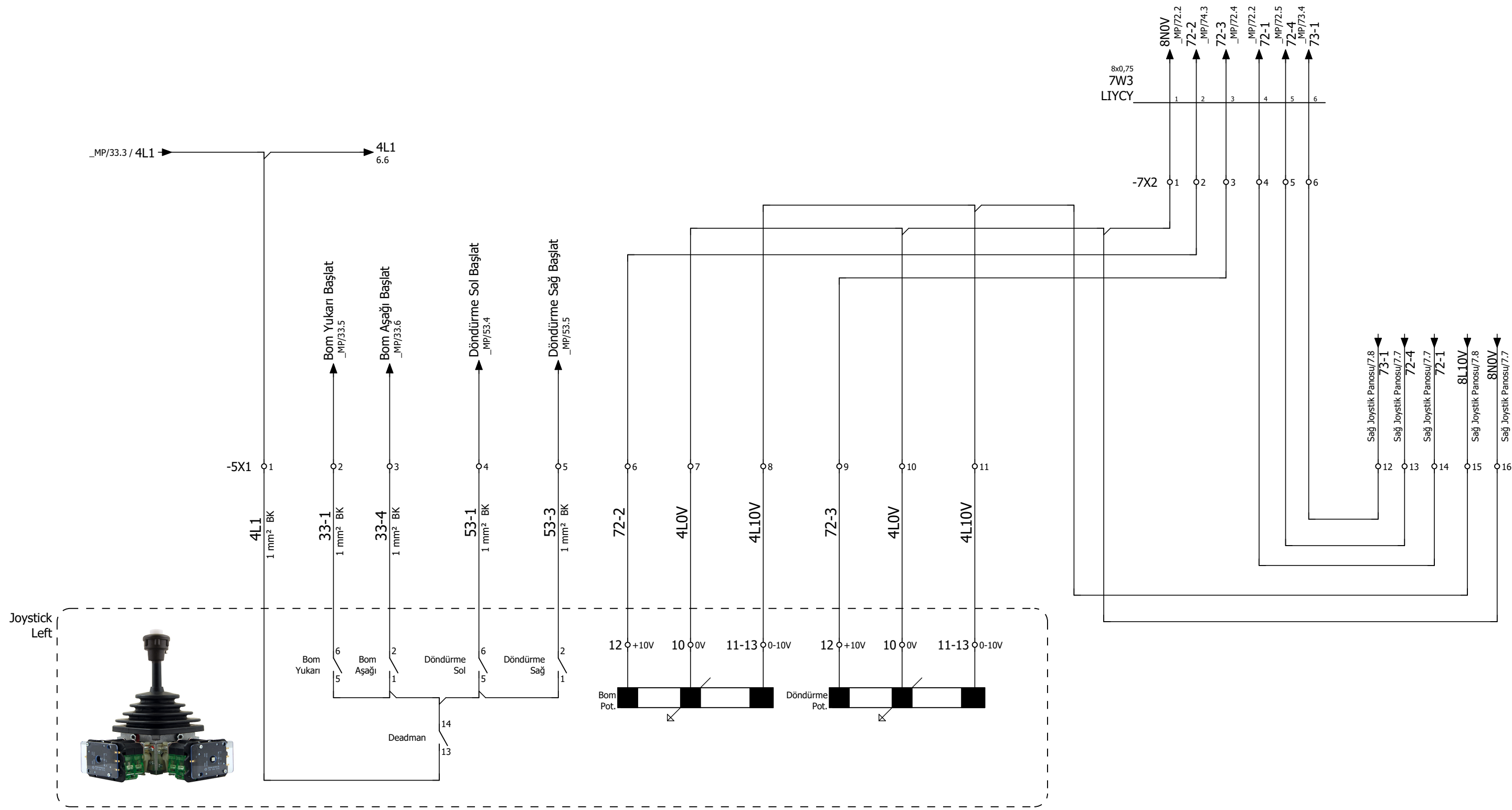
Operatör Kabin Yardımcı Devre Panosu

Operatör Kabin

= 00SMC00GH00x
+ SMC00
Page / 1
94



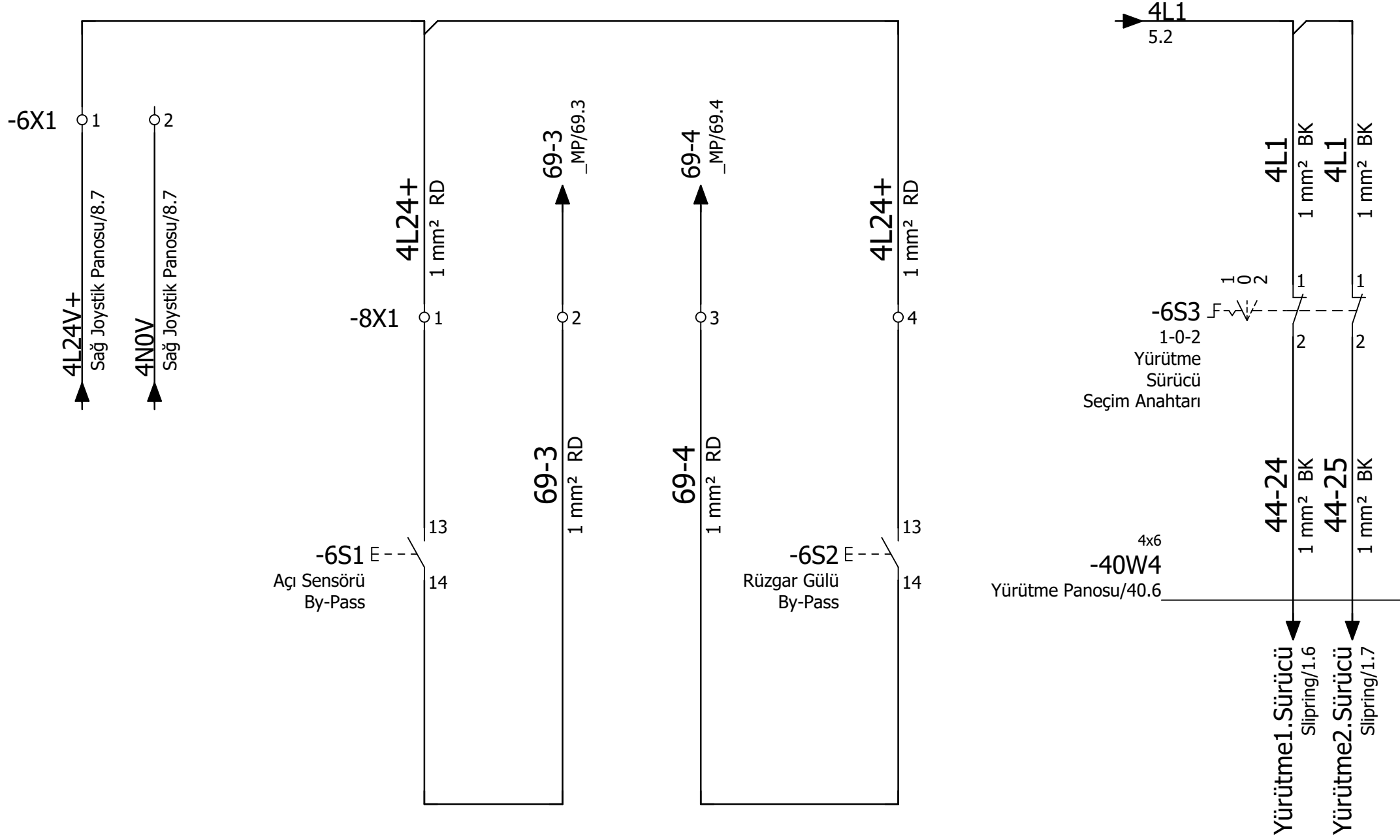


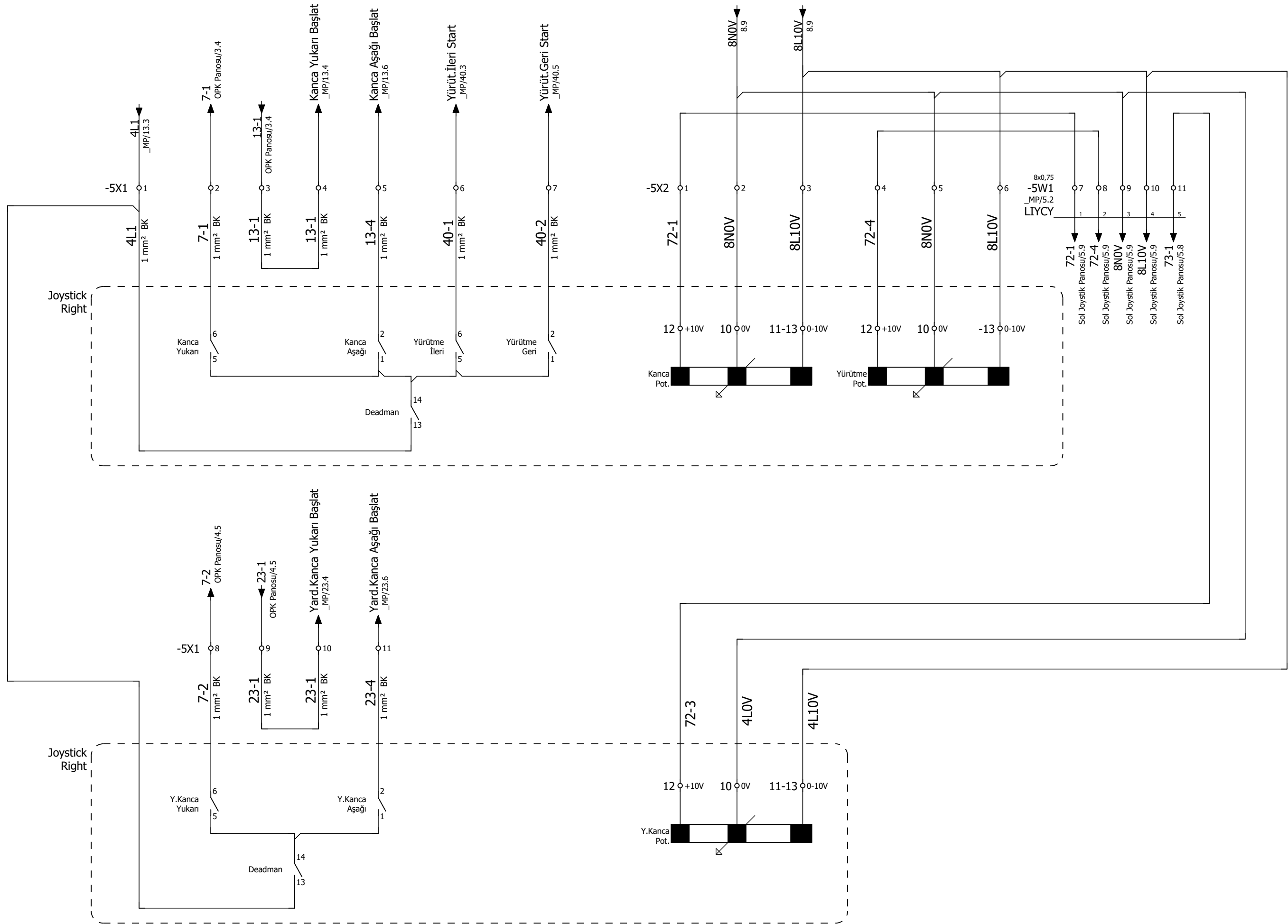


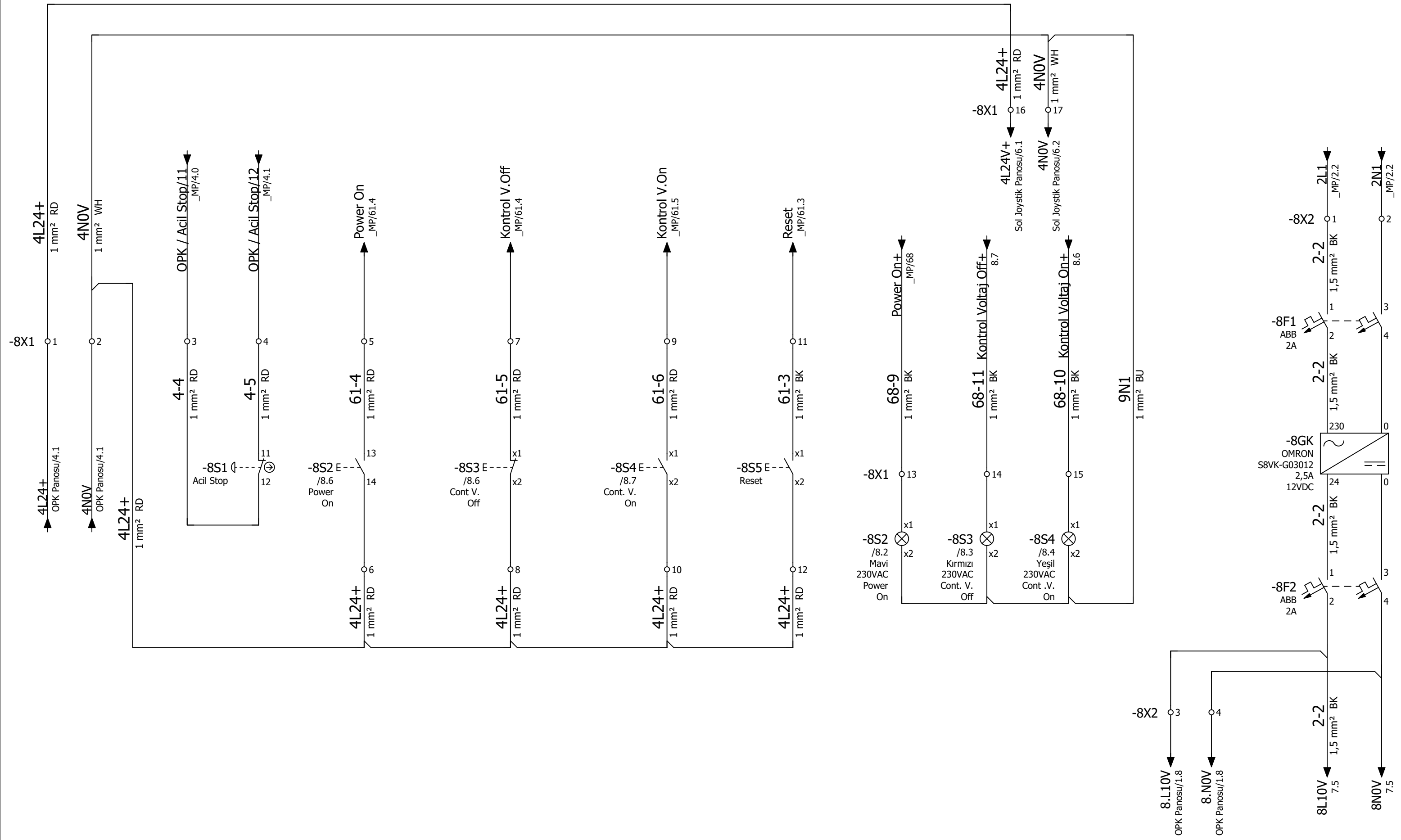
EDITOR	Kemal OLGUN
DATE	23.01.23
CONTROLLER	T.AKALTUN



= 00SMC00GH00x
+ SMC00
Page / 5
98







EDITOR	Kemal OLGUN
DATE	23.01.23
CONTROLLER	T.AKALTUN

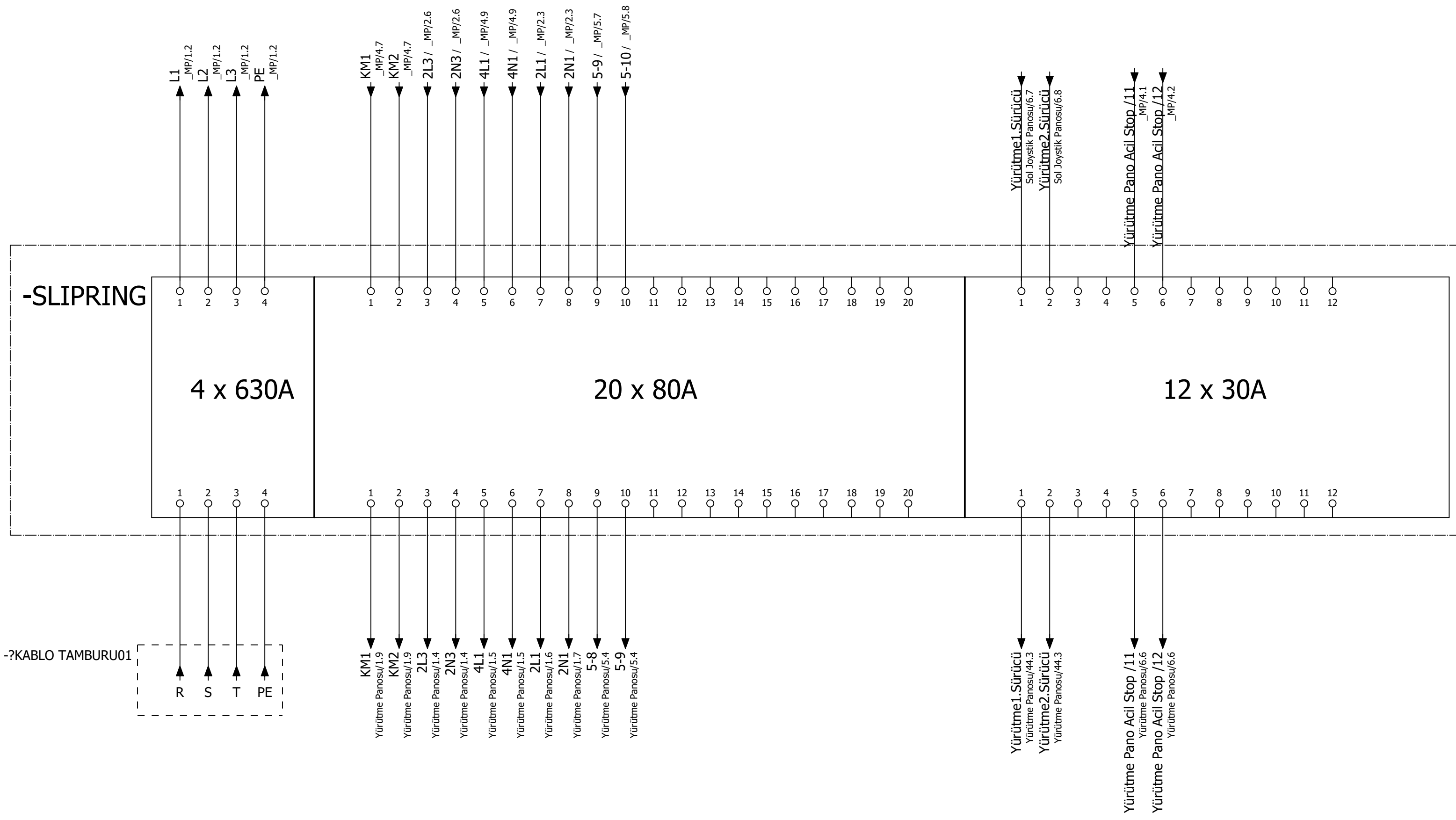


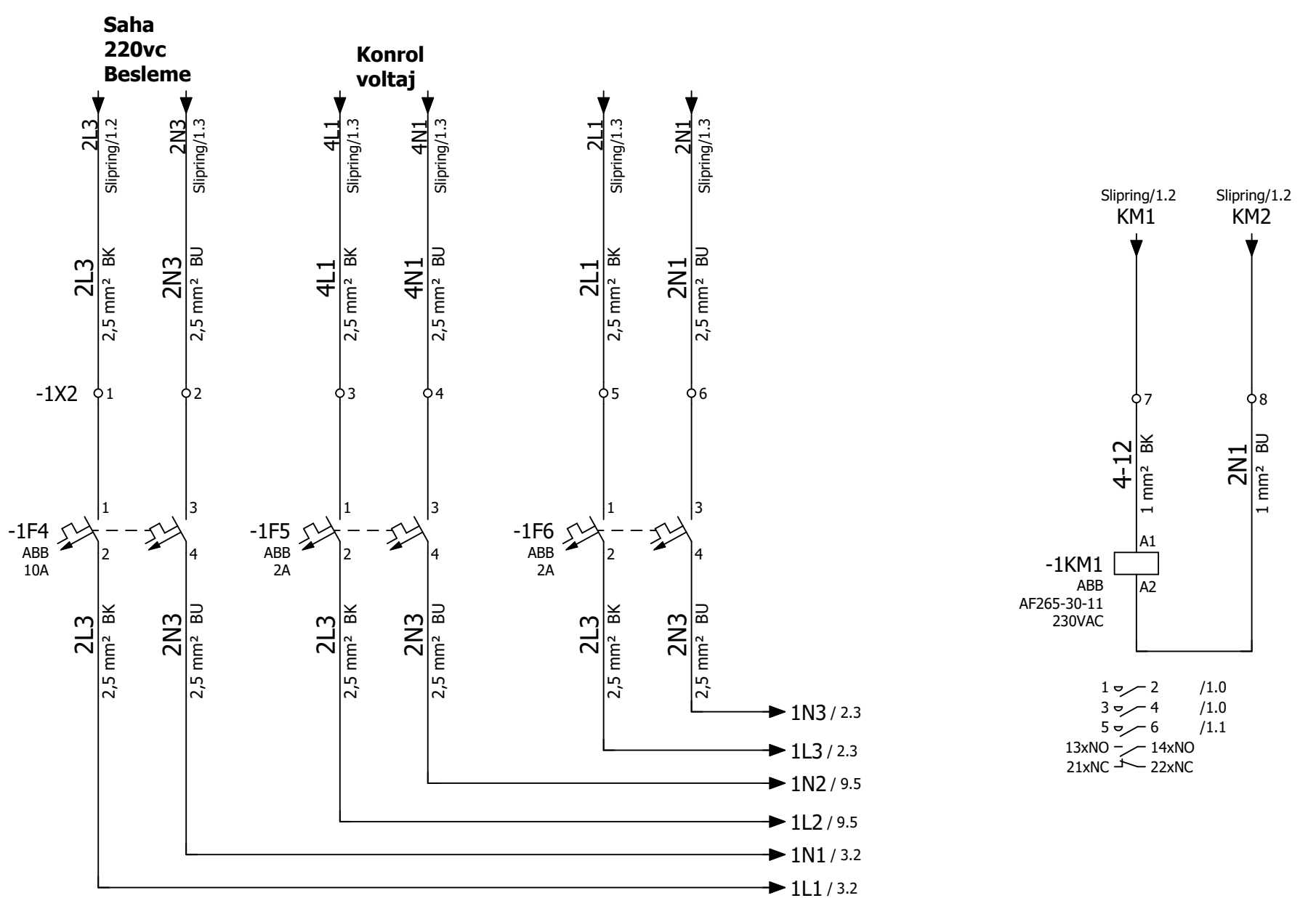
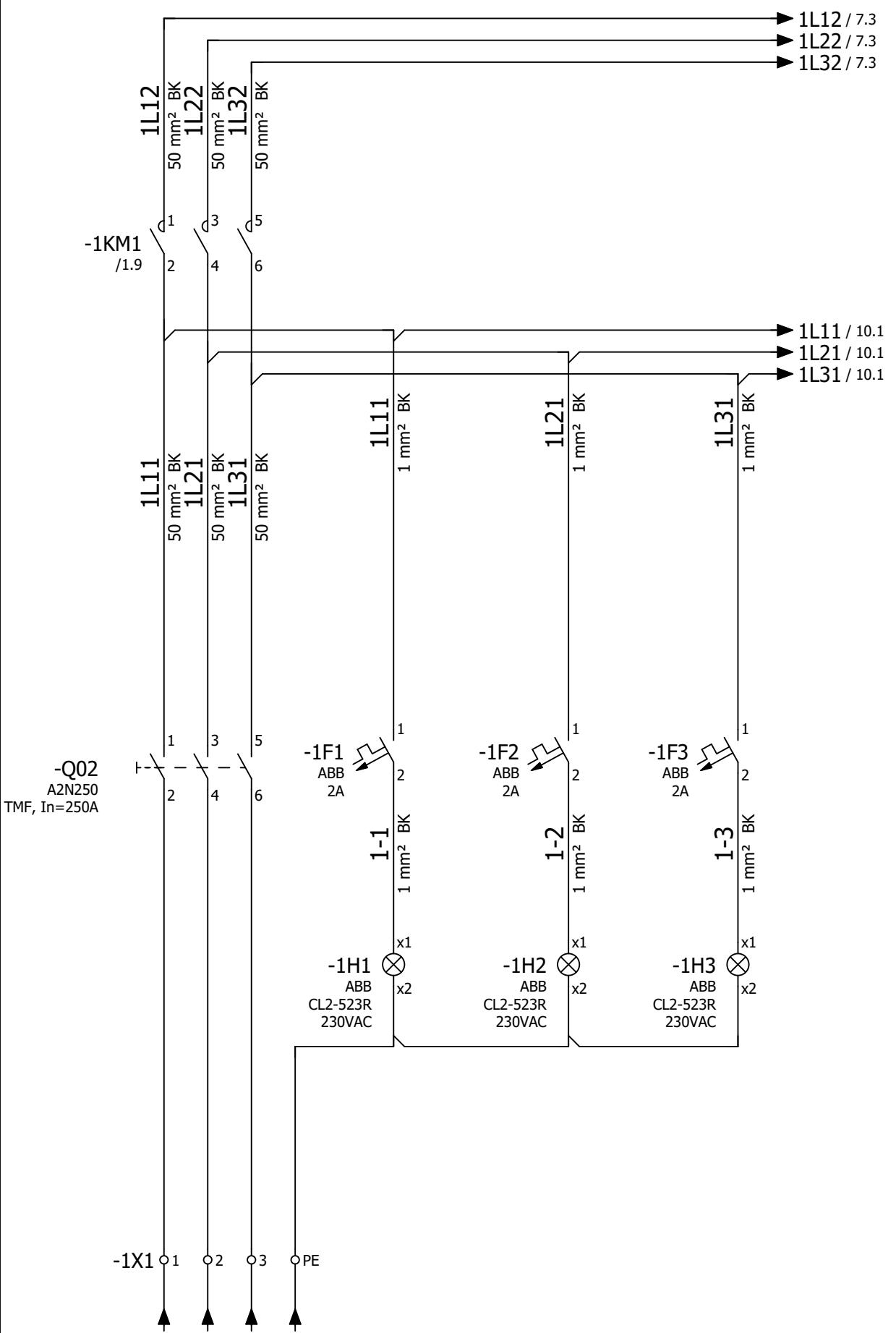
ADS MÜHENDİSLİK

Kontrol Butonları

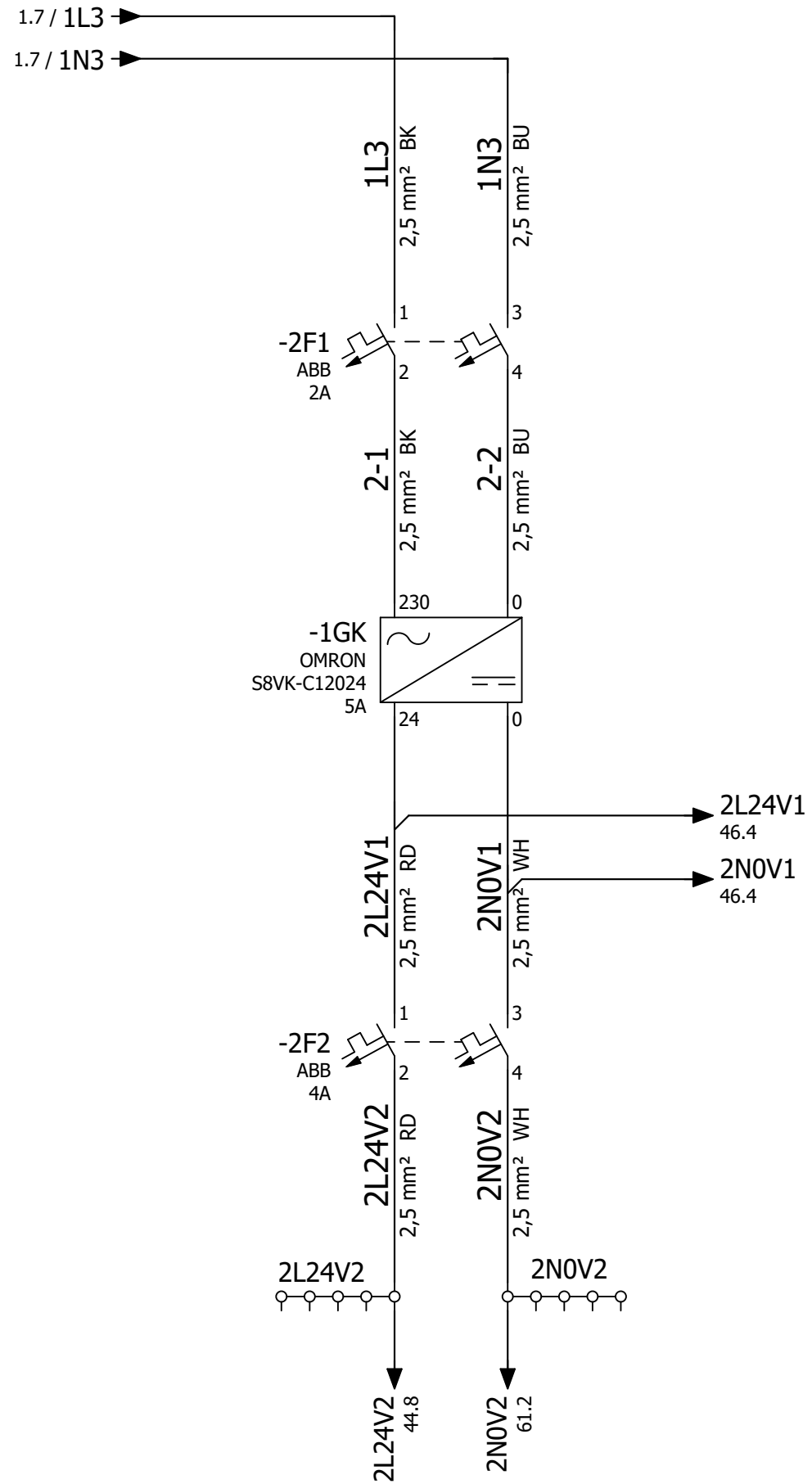
Operatör Kabin

= 00SMC00GH00x
+ SMC00
Page / 8
101





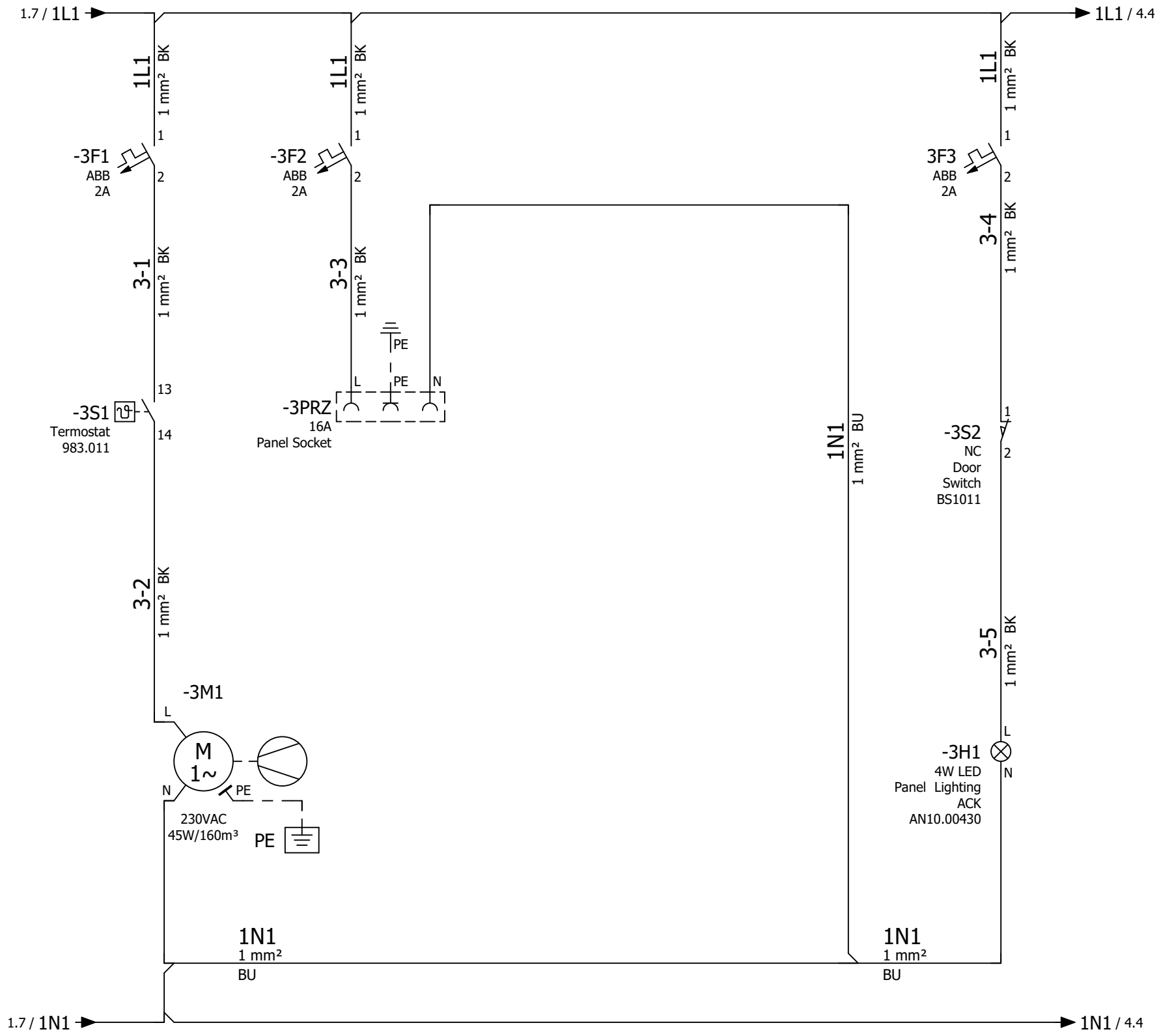
- 1 2 /1.0
- 3 4 /1.0
- 5 6 /1.1
- 13xNO 14xNO
- 21xNC 22xNC



EDITOR	Kemal OLGUN
DATE	23.01.23
CONTROLLER	T.AKALTUN

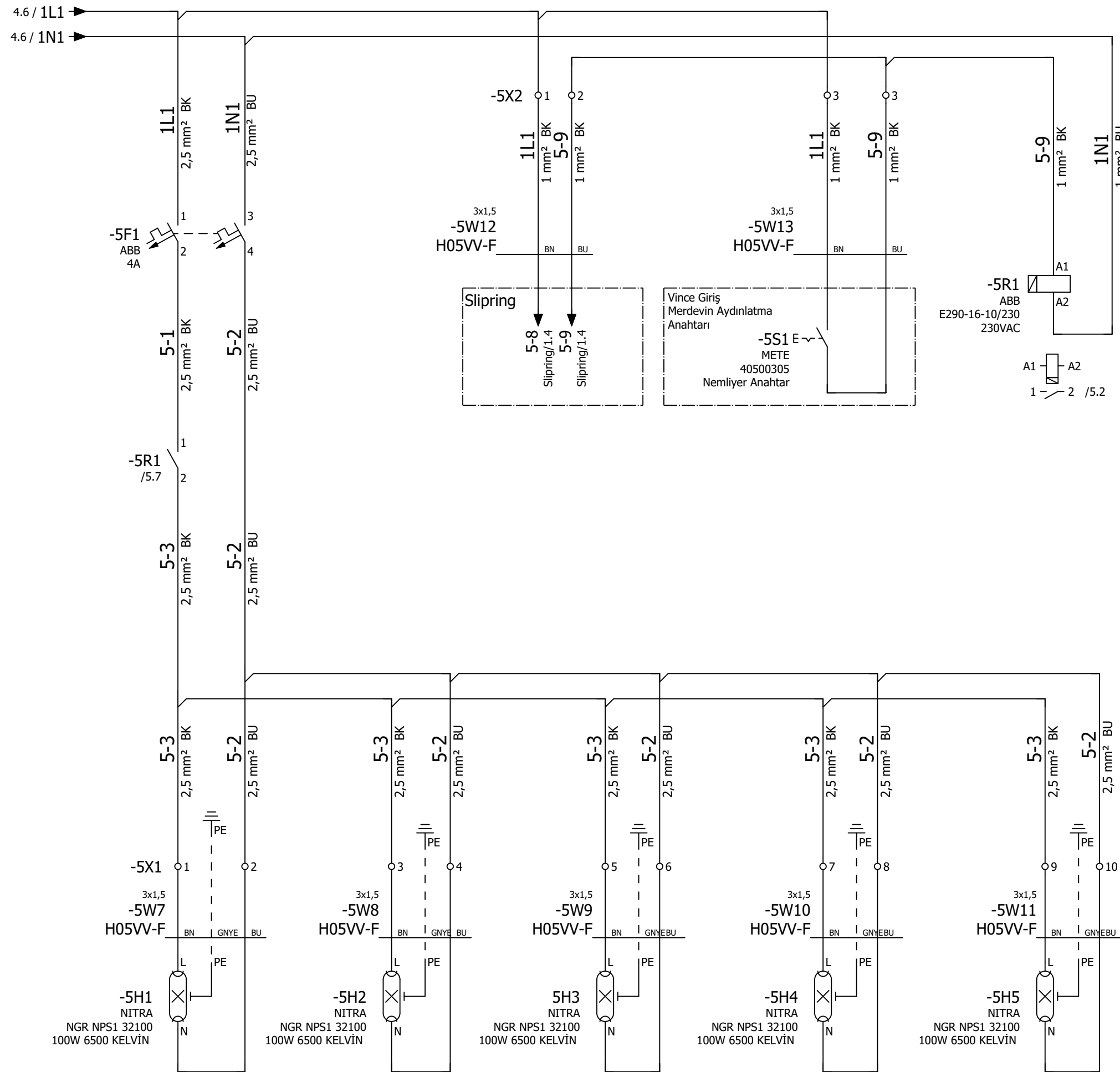


= 00SMC00GH00x
+ SMC00
Page /2
104



EDITOR	Kemal OLGUN
DATE	23.01.23
CONTROLLER	T.AKALTUN

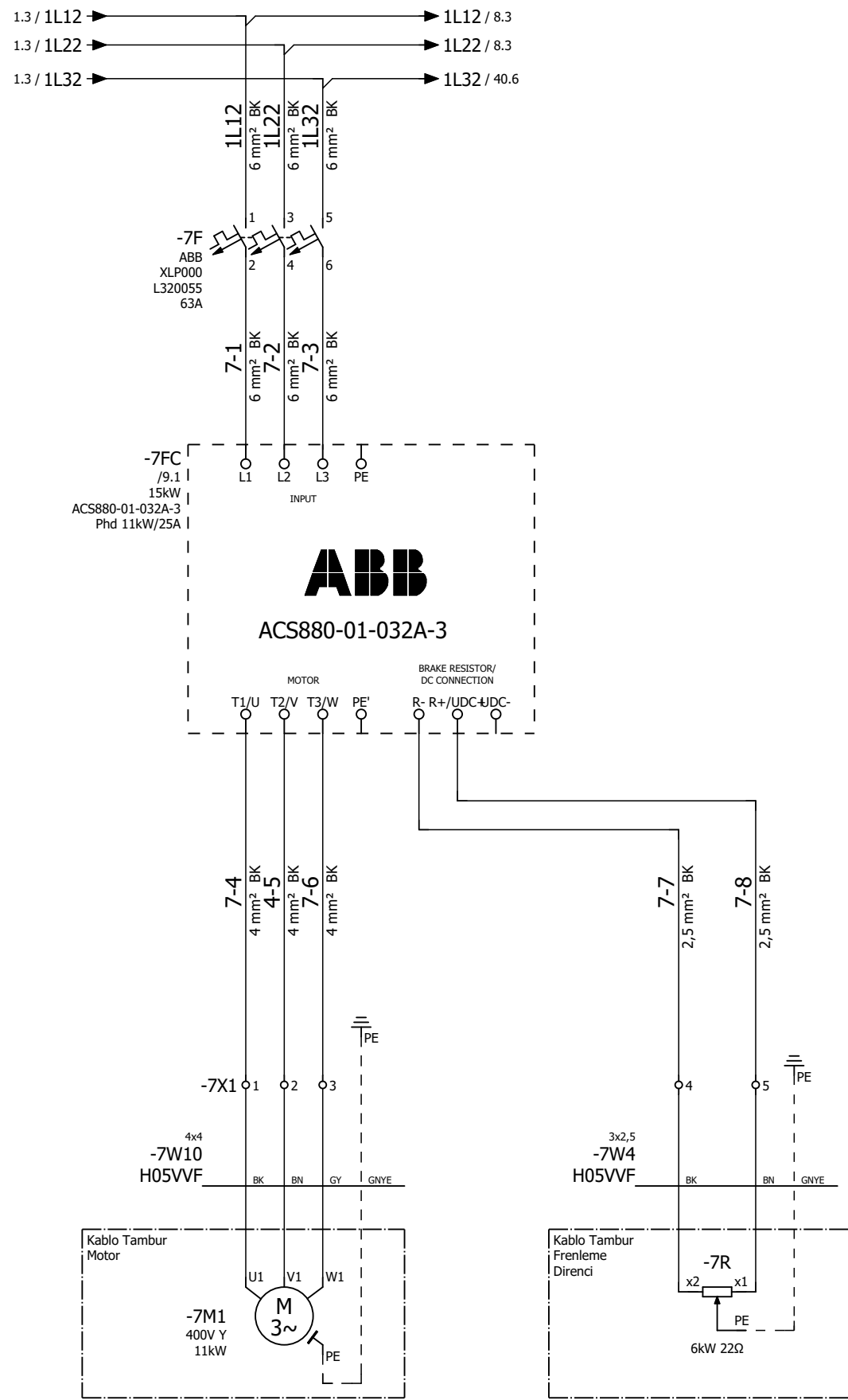




EDITOR	Kemal OLGUN
DATE	23.01.23
CONTROLLER	T.AKALTUN



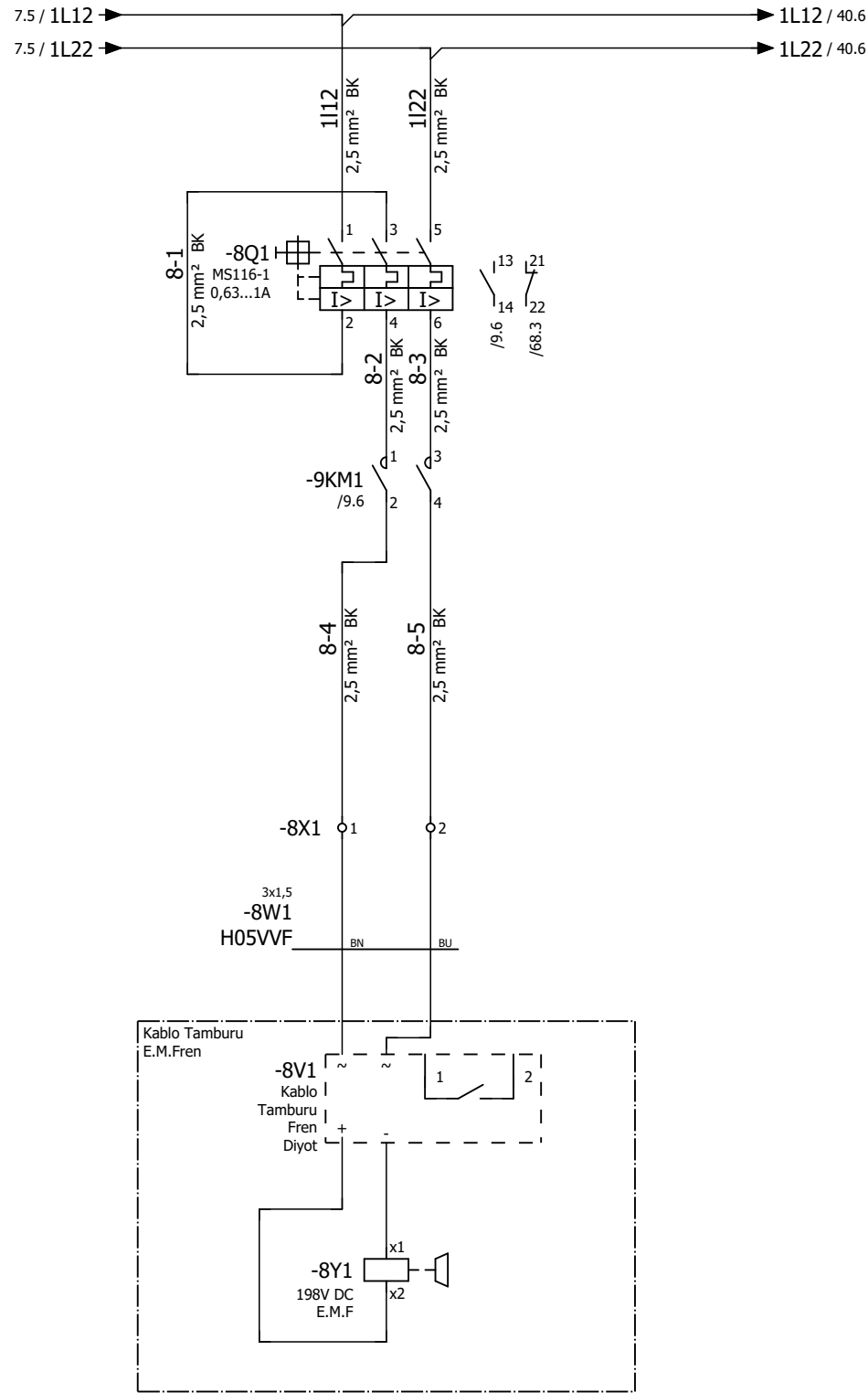
= 00SMC00GH00x
+ SMC00
Page /5
107

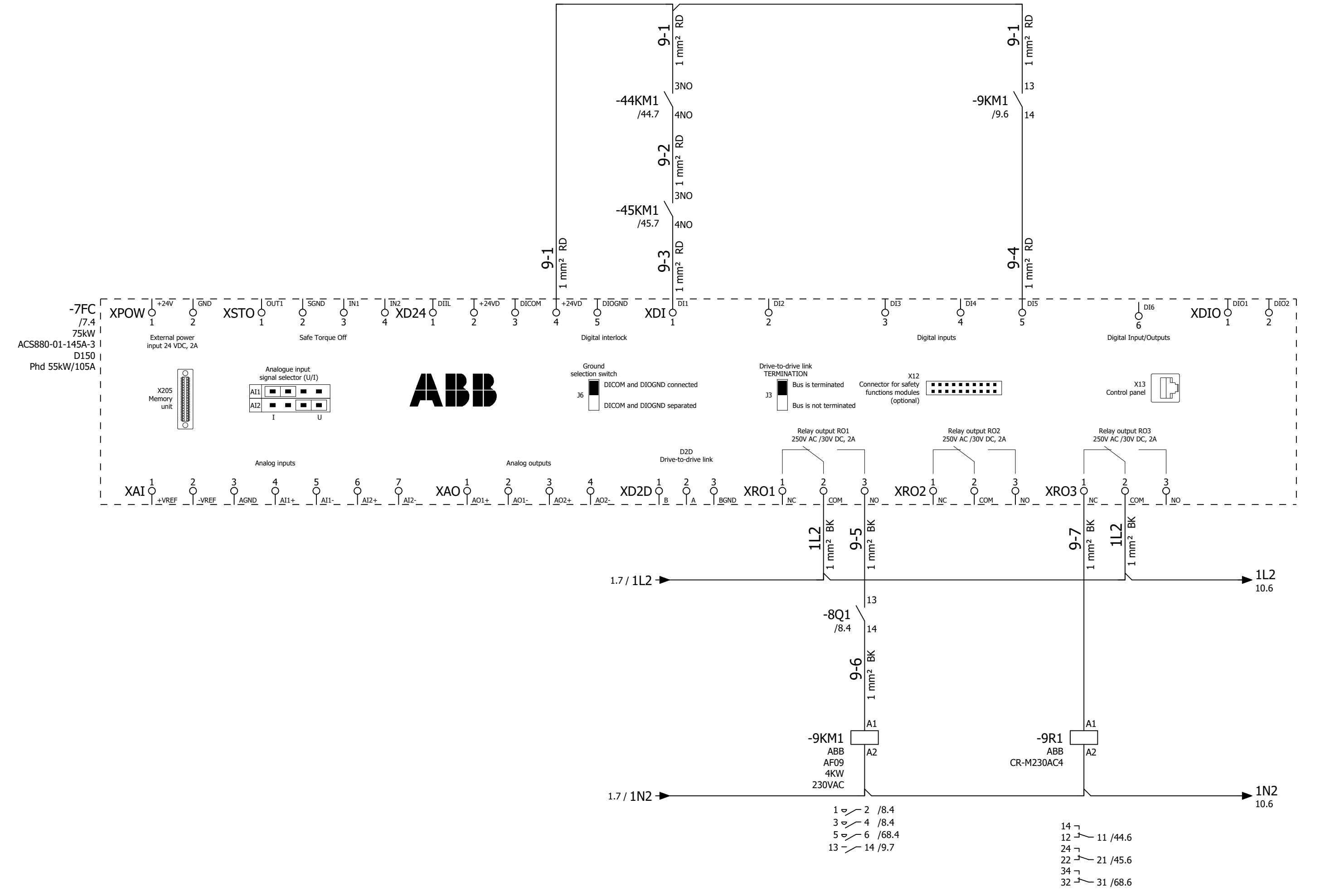


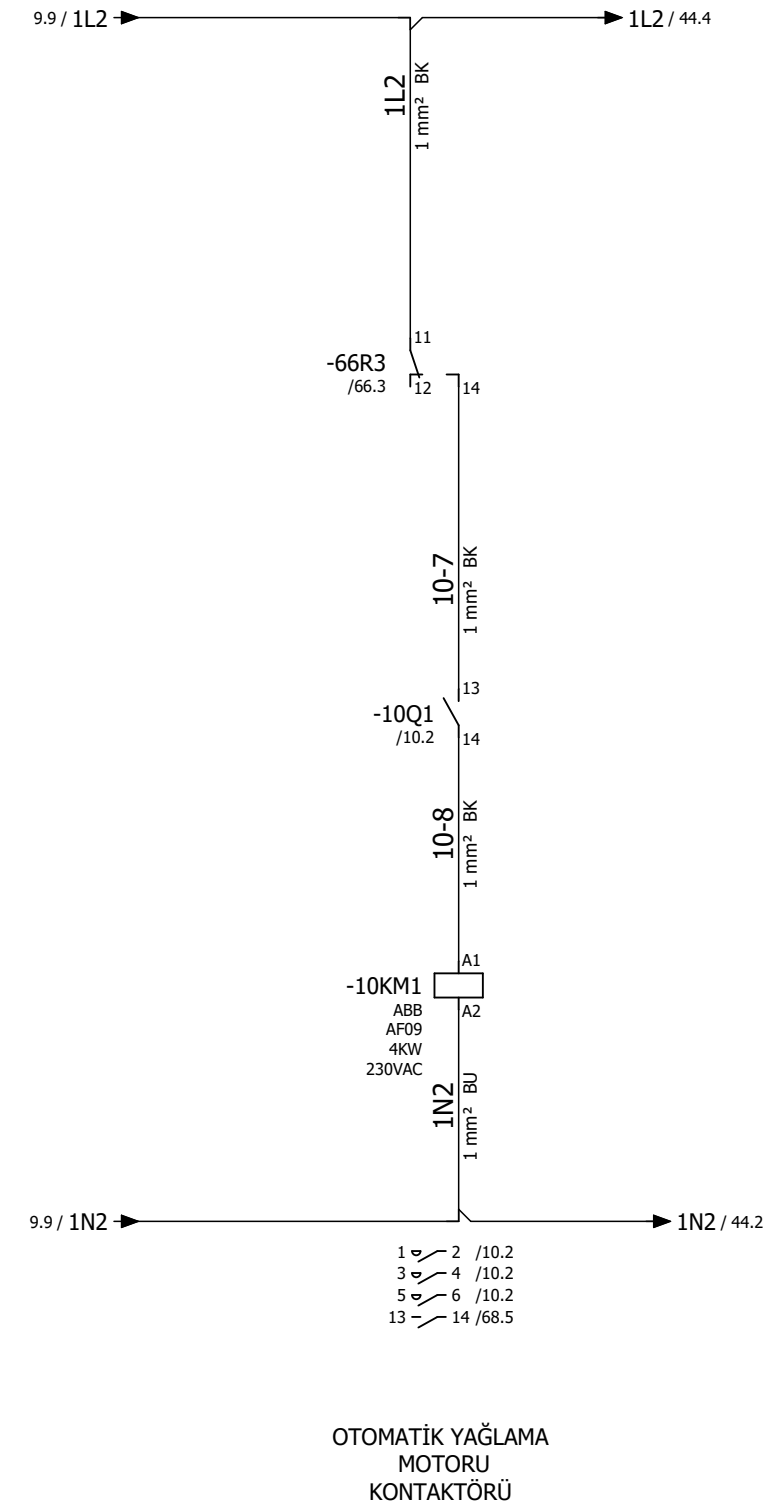
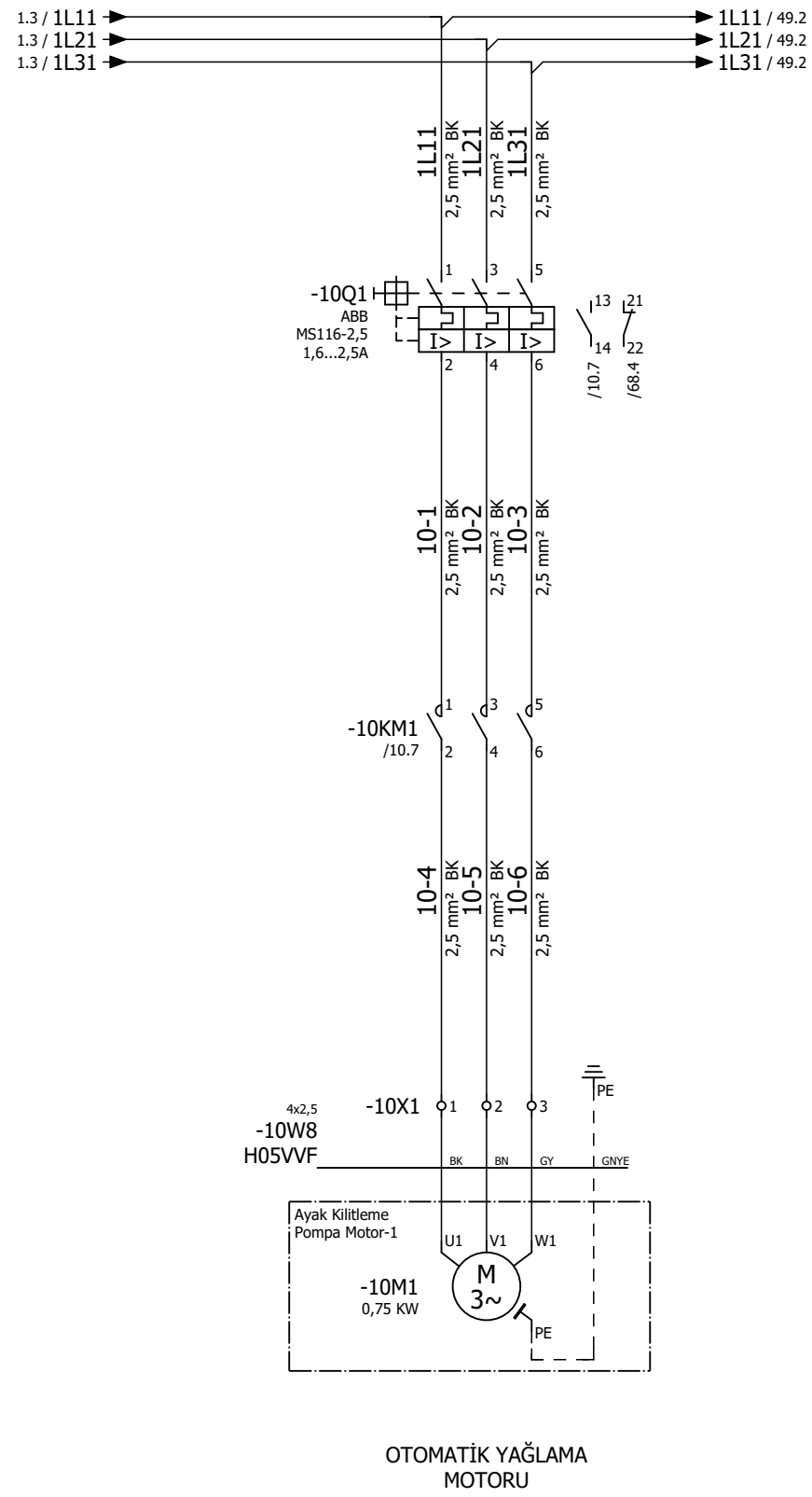
EDITOR	Kemal OLGUN
DATE	23.01.23
CONTROLLER	T.AKALTUN



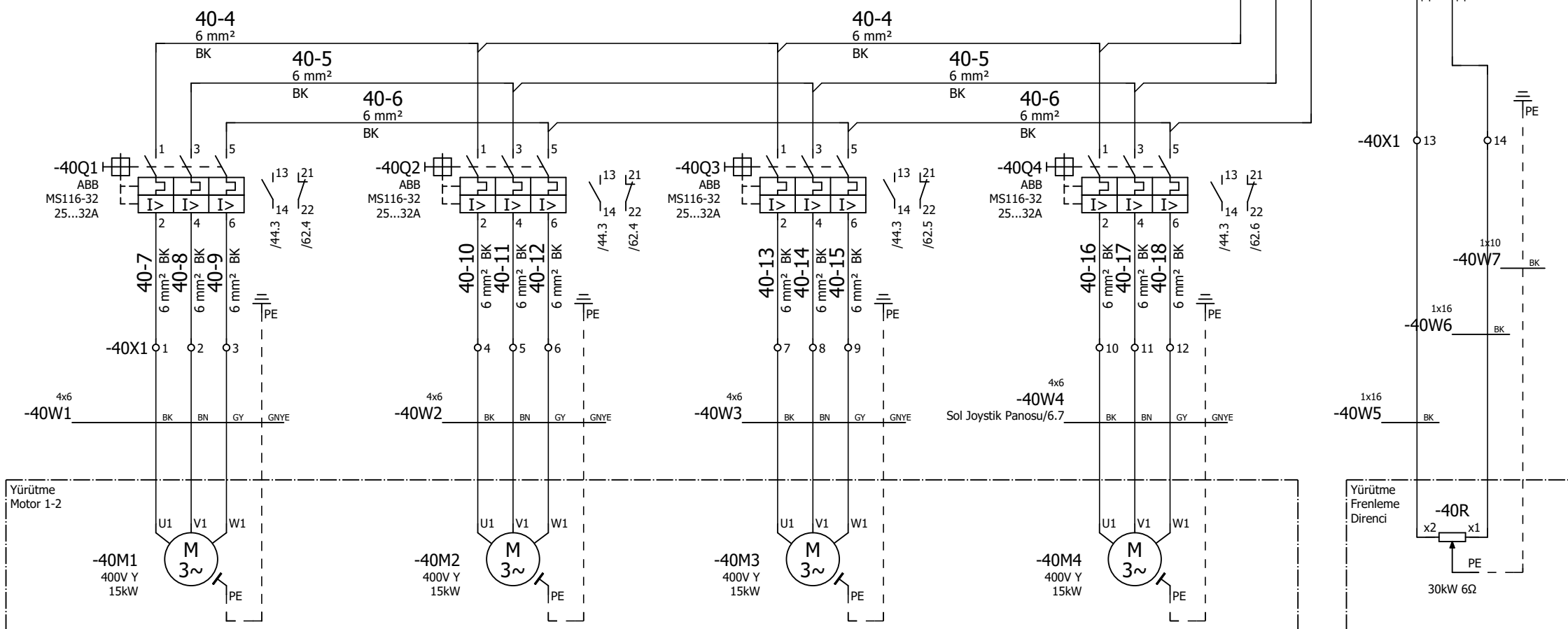
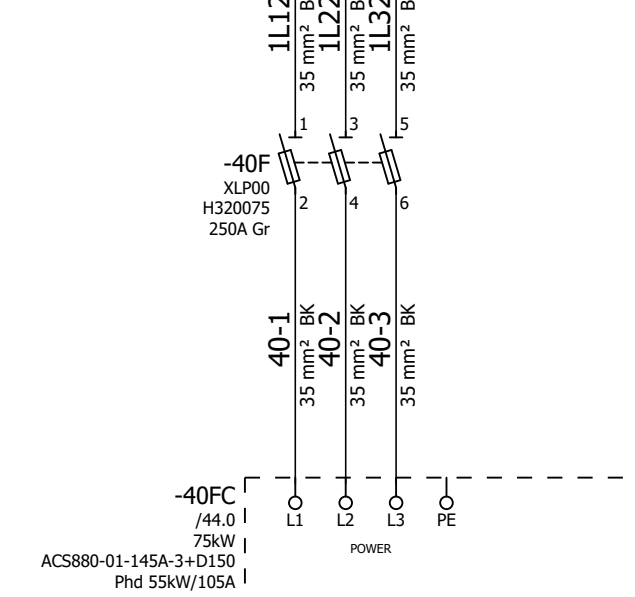
= 00SMC00GH00x
+ SMC00
Page /7
109







8.5 / 1L12
8.5 / 1L22
7.5 / 1L32



EDITOR	Kemal OLGUN
DATE	23.01.23
CONTROLLER	T.AKALTUN

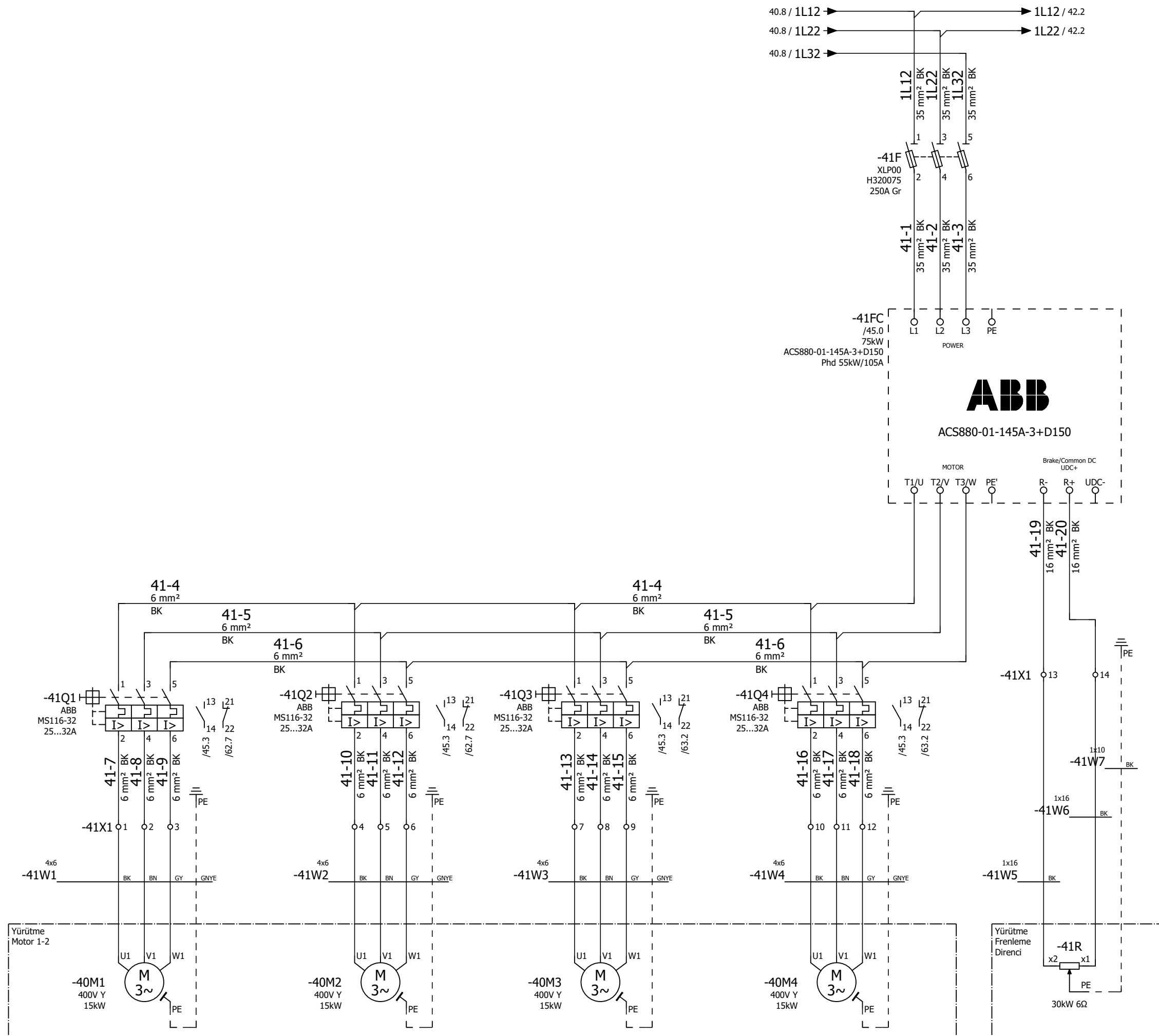


ADS MÜHENDİSLİK

Yürütme Sürücü 1 Güç Devresi

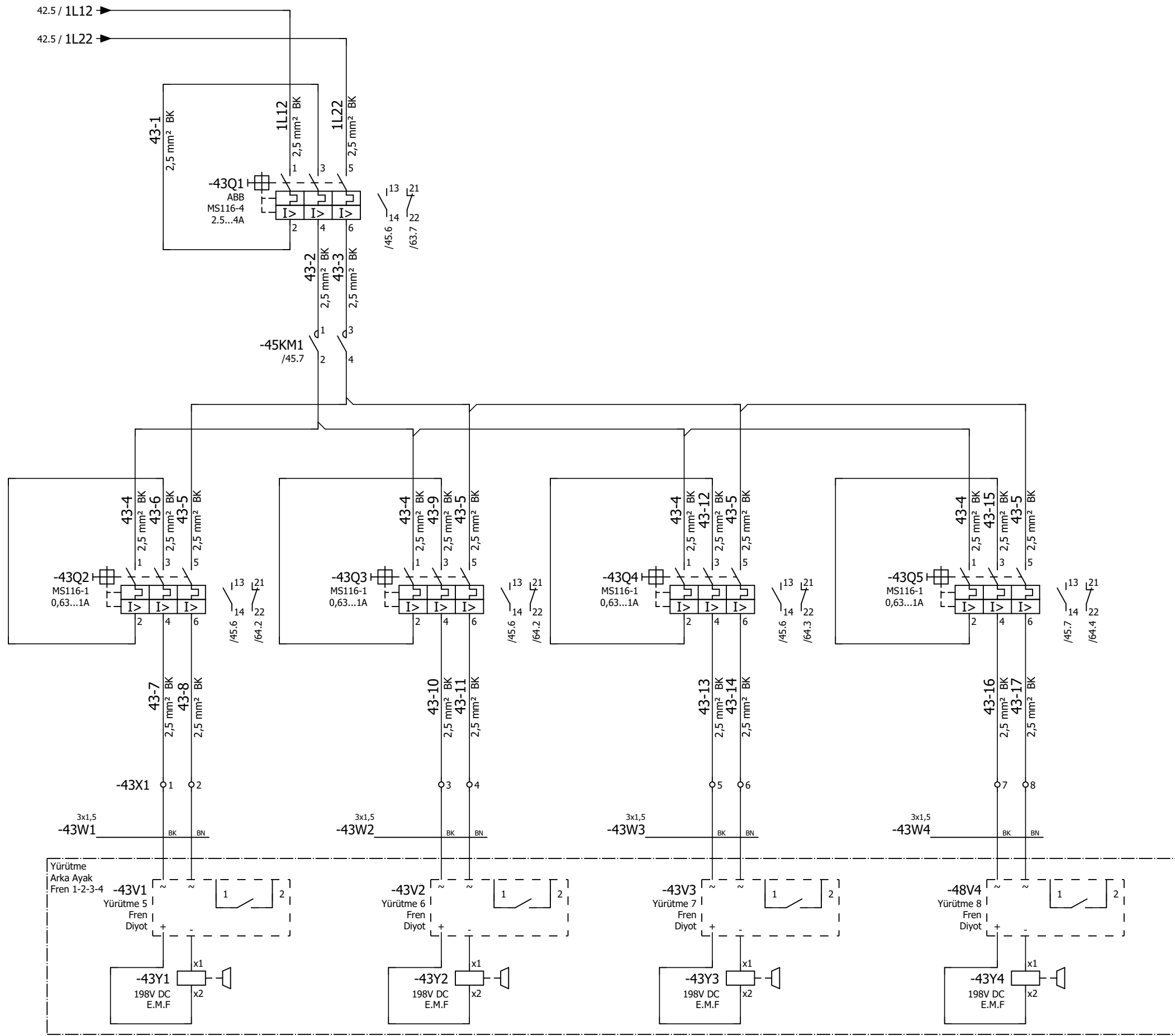
Yürütme Panosu

= 00SMC00GH00x
+ SMC00
Page / 40
113



EDITOR	Kemal OLGUN
DATE	23.01.23
CONTROLLER	T.AKALTUN

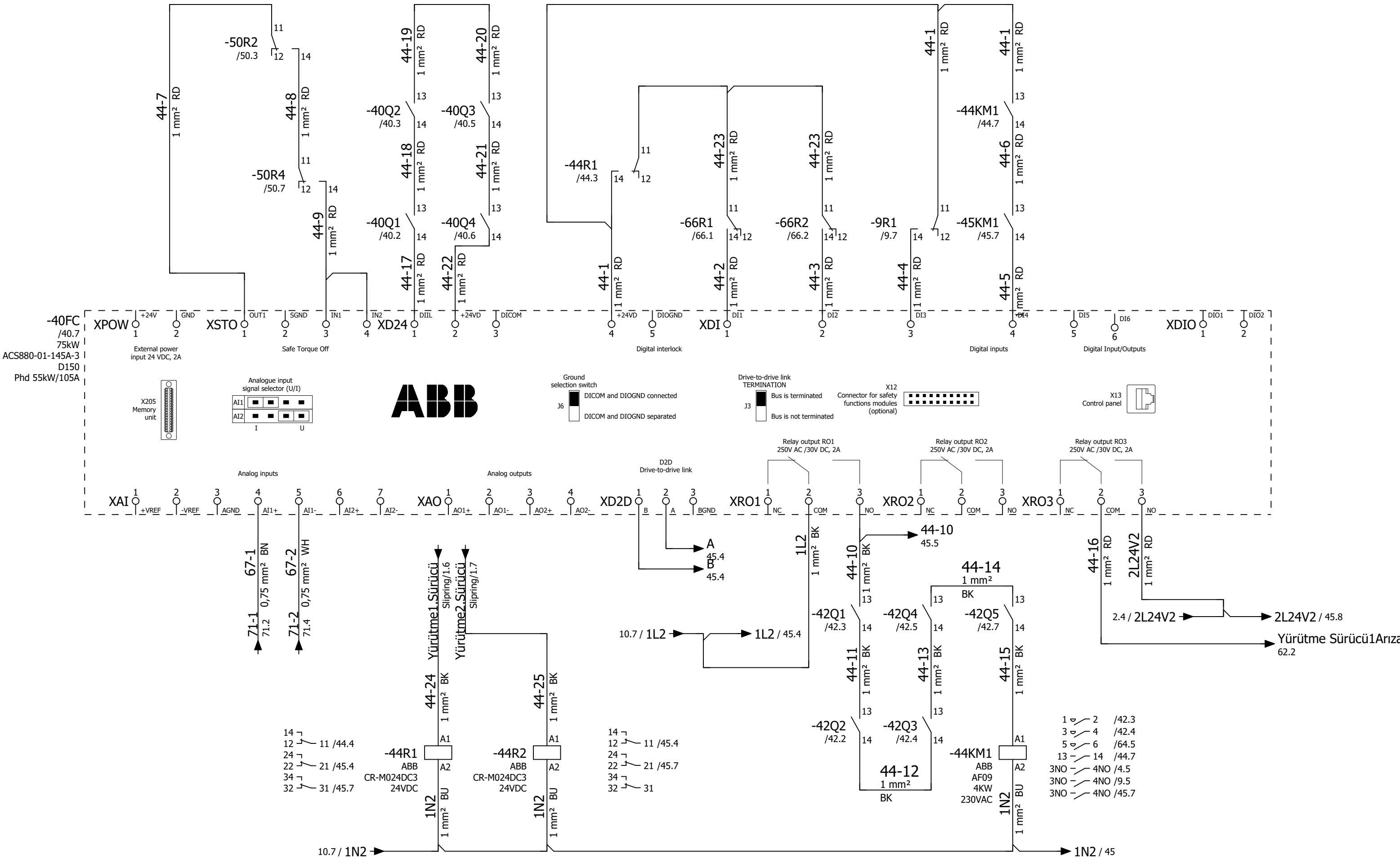




EDITOR	Kemal OLGUN
DATE	23.01.23
CONTROLLER	T.AKALTUN



Yürütme İleri Başlat Yürütme Geri Başlat Tambur Sürücüsü Yürütme Fren



EDITOR	Kemal OLGUN
DATE	23.01.23
CONTROLLER	T.AKALTUN

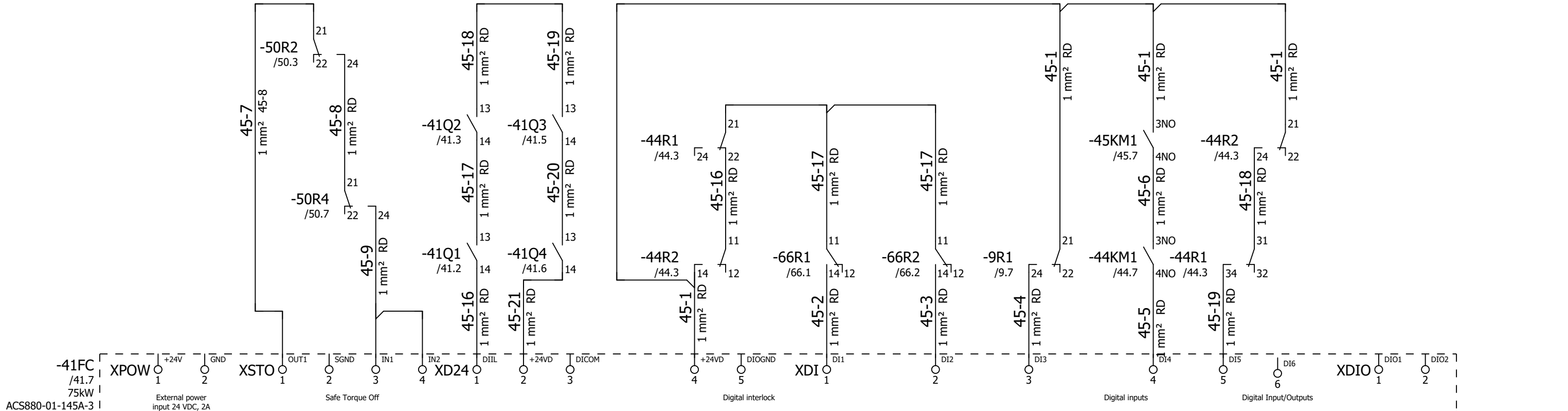
ADS MÜHENDİSLİK

Yürütme 1 Kontrol Devresi

Yürütme Panosu

= 00SMC00GH00x
+ SMC00
Page / 44
117

Yürütme İleri Başlat Yürütme Geri Başlat Tambur Sürücüsü Yürütme Fren Master Follower



-41FC /41.7
75kW
ACS880-01-145A-3
D150
Phd 55kW/105A

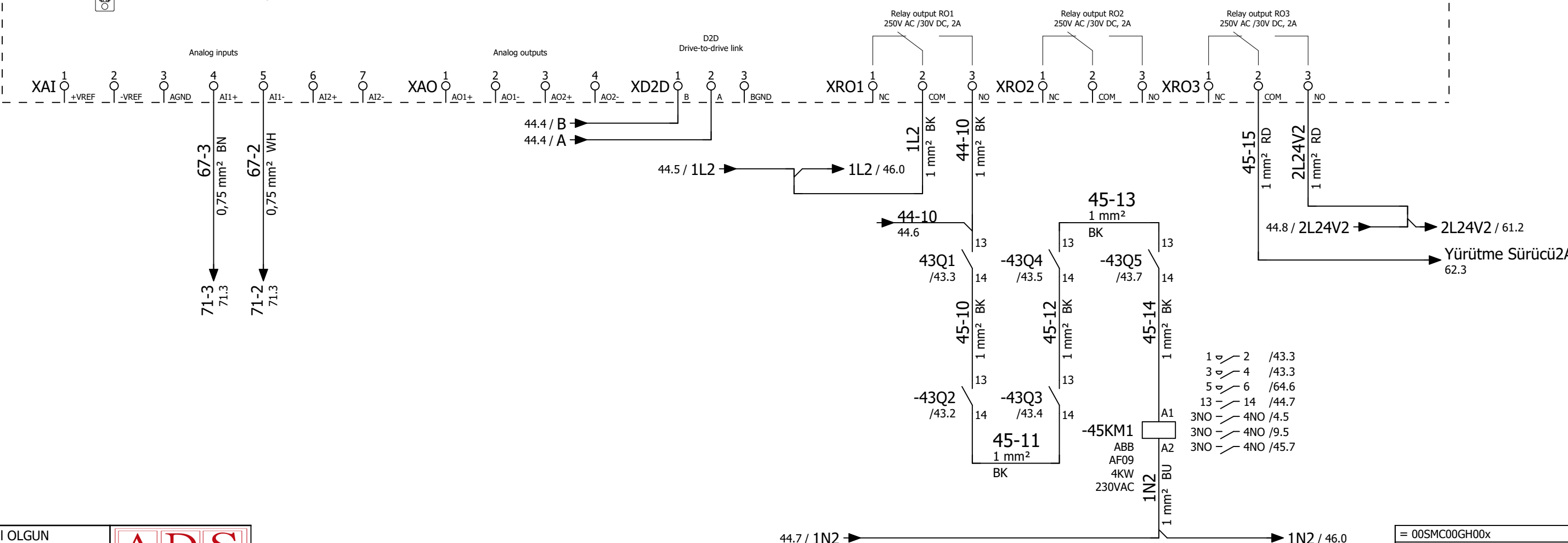
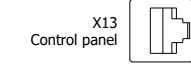
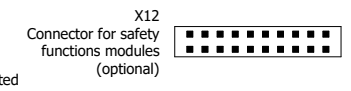
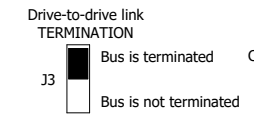
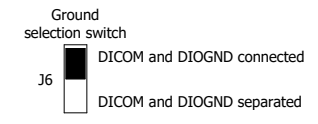
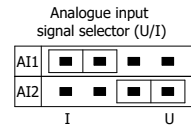
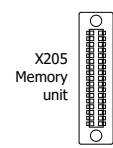
External power input 24 VDC, 2A

Safe Torque Off

Digital interlock

Digital inputs

Digital Input/Outputs



- 1 2 /43.3
- 3 4 /43.3
- 5 6 /64.6
- 13 14 /44.7
- 3NO 4NO /4.5
- 3NO 4NO /9.5
- 3NO 4NO /45.7

EDITOR	Kemal OLGUN
DATE	23.01.23
CONTROLLER	T.AKALTUN

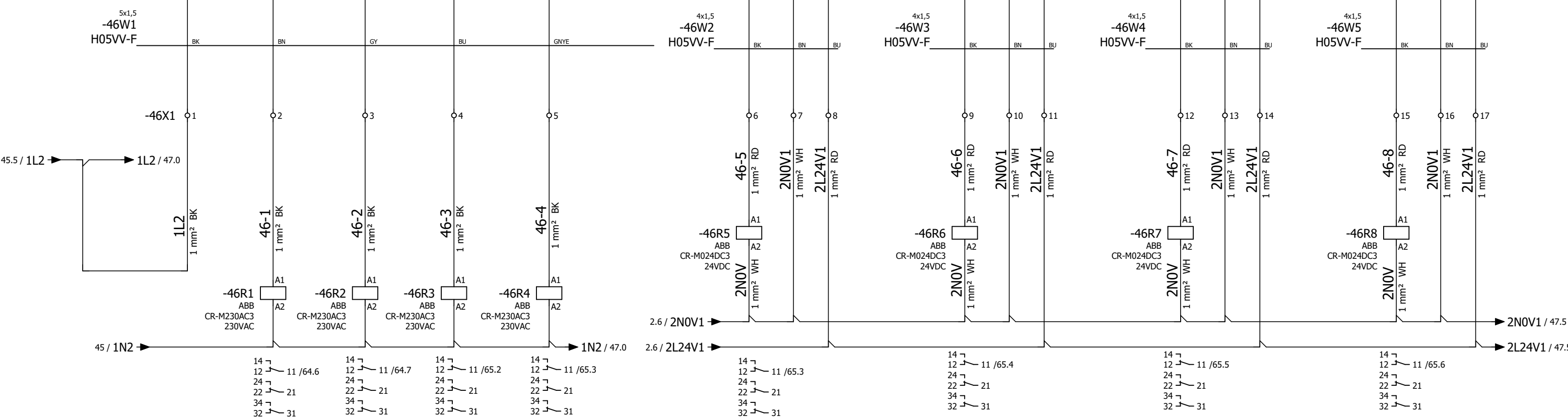
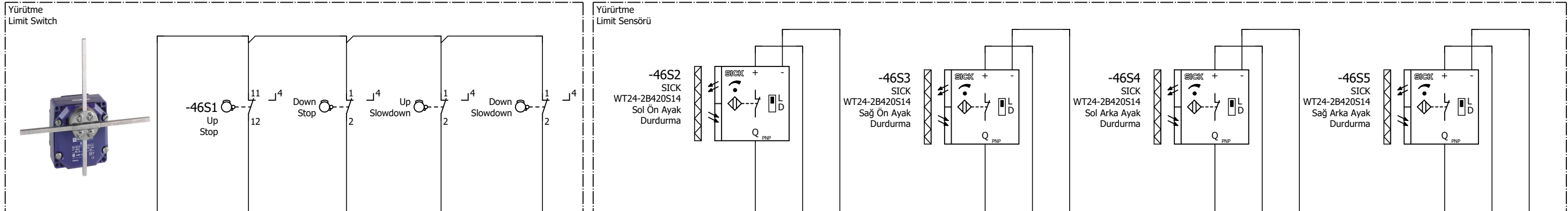


ADS MÜHENDİSLİK

Yürütme 2 Kontrol Devresi

Yürütme Panosu

= 00SMC00GH00x
+ SMC00
Page / 45
118



Yürütme ileri stop Yürütme geri stop Yürütme ileri yavaşlama Yürütme geri yavaşlama

EDITOR	Kemal OLGUN
DATE	23.01.23
CONTROLLER	T.AKALTUN

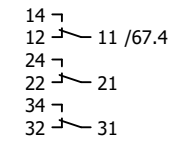
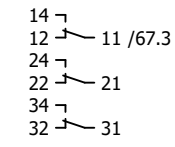
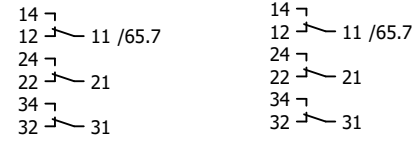
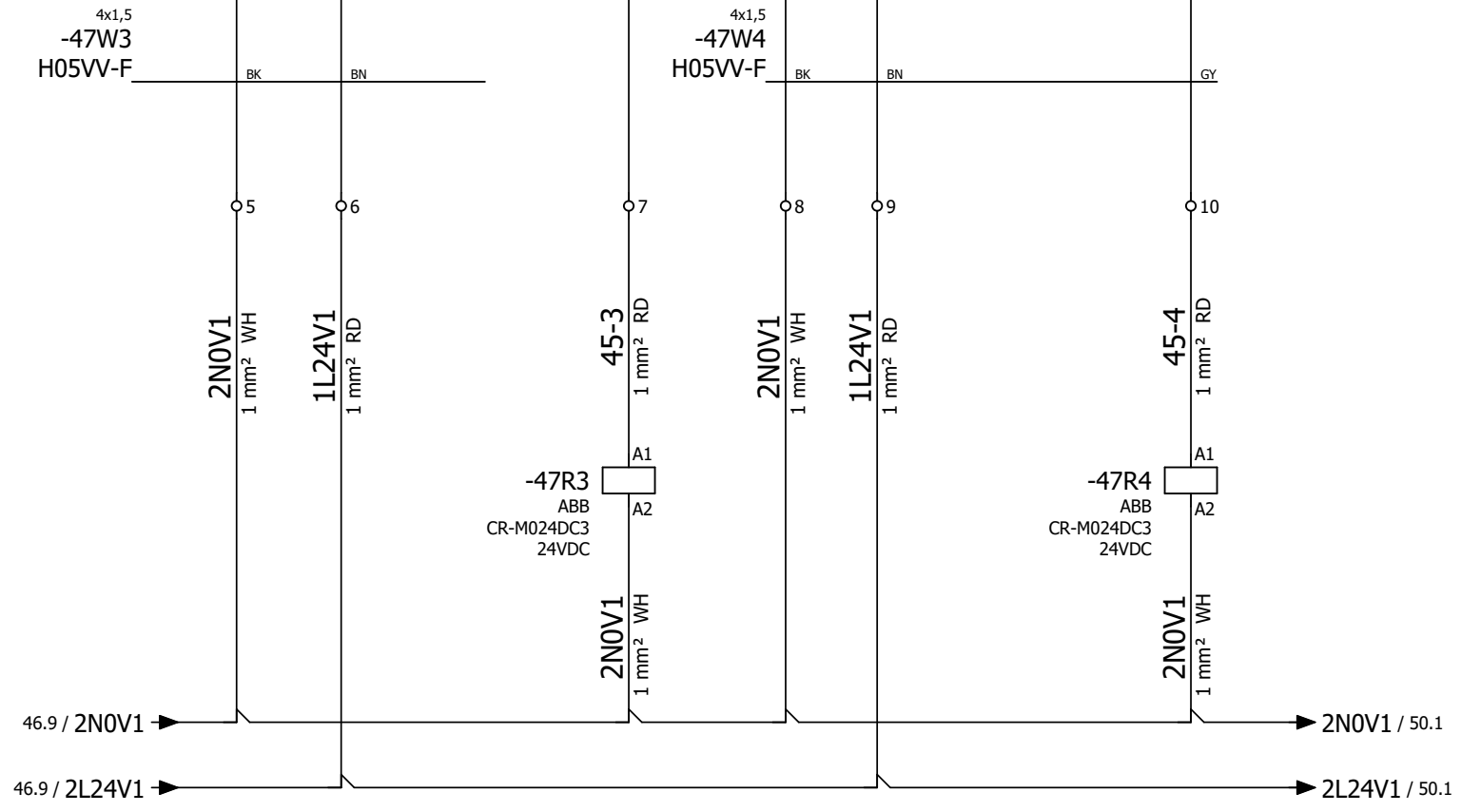
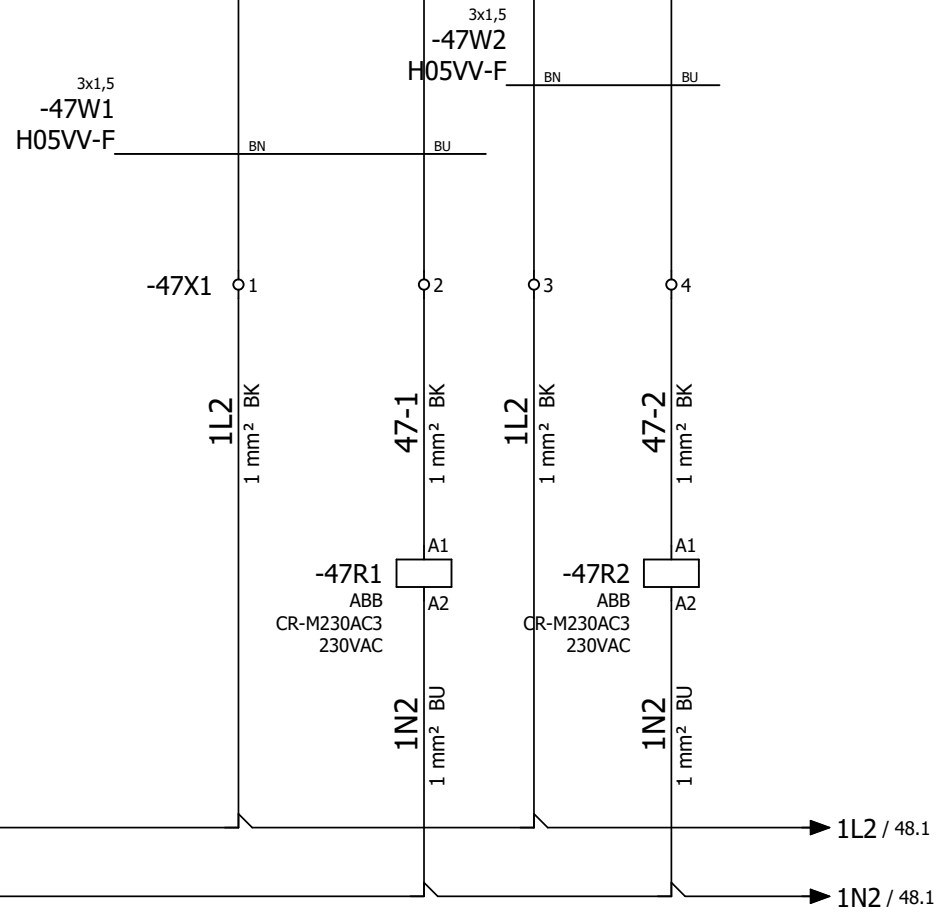
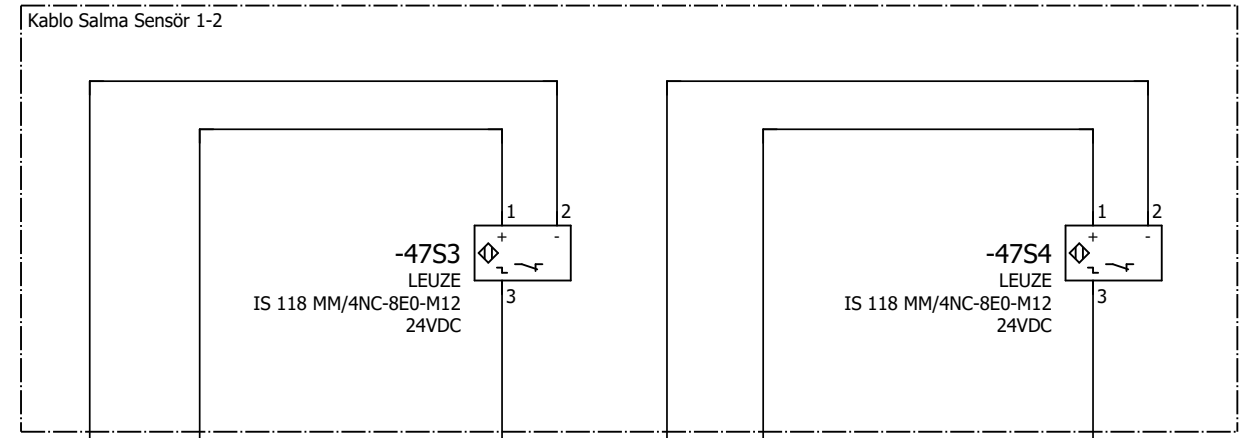
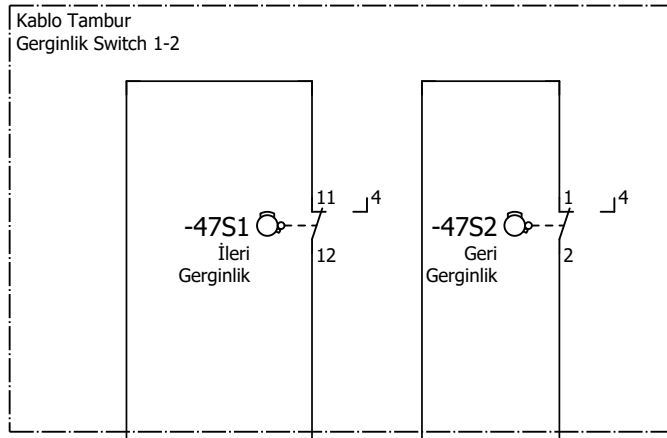


ADS MÜHENDİSLİK

Yürütme Limit Switch Devresi

Yürütme Panosu

= 00SMC00GH00x
+ SMC00
Page / 46
119



Kablo Tambur Switch
GIOVENZENA
FGR101004



-48S1 İleri Stop
Geri Stop
İleri Yavaşlama
Geri Yavaşlama

Vinc Kilit Switch

-48S2

5x1,5
-48W1
H05VV-F

BK BN GY BU GNYE

3x1,5
-48W2
H05VV-F

BN BU

-48X1

1L2
1 mm² BK

02

48-1
1 mm² BK

03

48-2
1 mm² BK

04

48-3
1 mm² BK

05

48-4
1 mm² BK

06

1L2
1 mm² BK

07

48-5
1 mm² BK

-48R1
ABB
CR-M230AC3
230VAC

-48R2
ABB
CR-M230AC3
230VAC

-48R3
ABB
CR-M230AC3
230VAC

-48R4
ABB
CR-M230AC3
230VAC

-48R5
ABB
CR-M230AC3
230VAC

47.3 / 1L2

47.3 / 1N2

1L2 / 49.6

1N2 / 49.7

14
12
24
22
34
32

14
12
24
22
34
32

14
12
24
22
34
32

14
12
24
22
34
32

14
12
24
22
34
32

Kablo Tambur
İleri Stop

Kablo Tambur
Geri Stop

Kablo Tambur
İleri Yavaşlama

Kablo Tambur
Geri Yavaşlama

EDITOR Kemal OLGUN

DATE 23.01.23

CONTROLLER T.AKALTUN

ADS
MÜHENDİSLİK

ADS MÜHENDİSLİK

Yürütme Kablo Tambur Switch

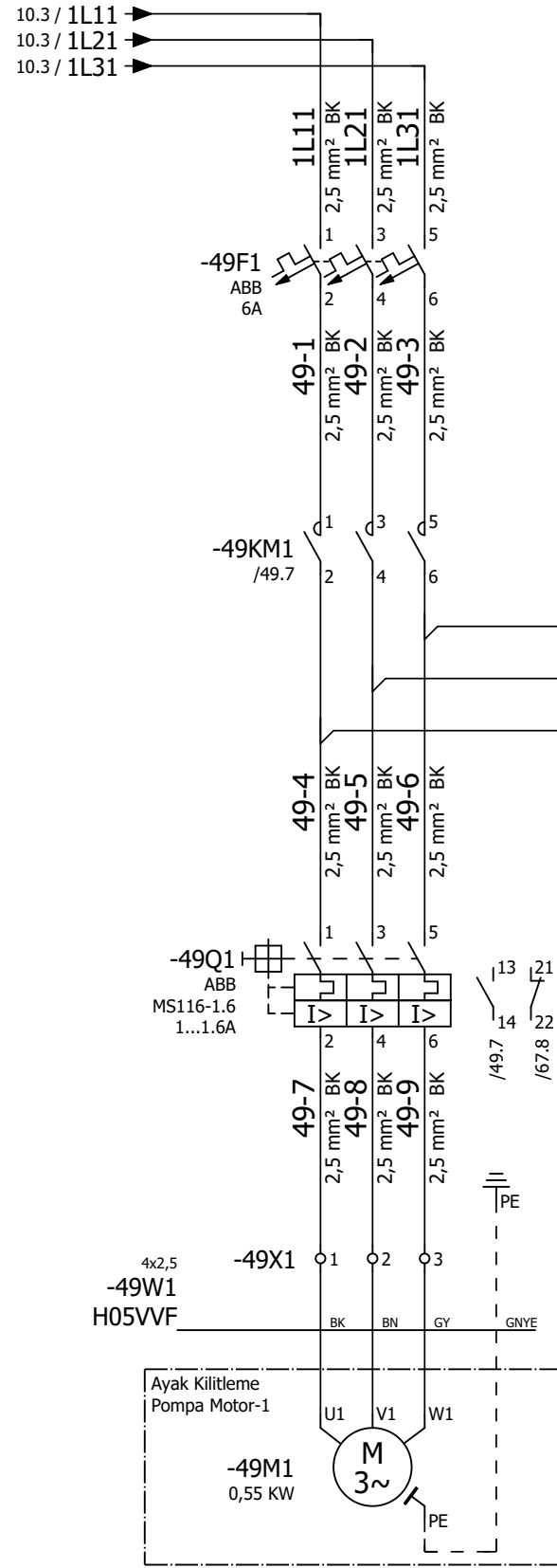
Yürütme Panosu

= 00SMC00GH00x

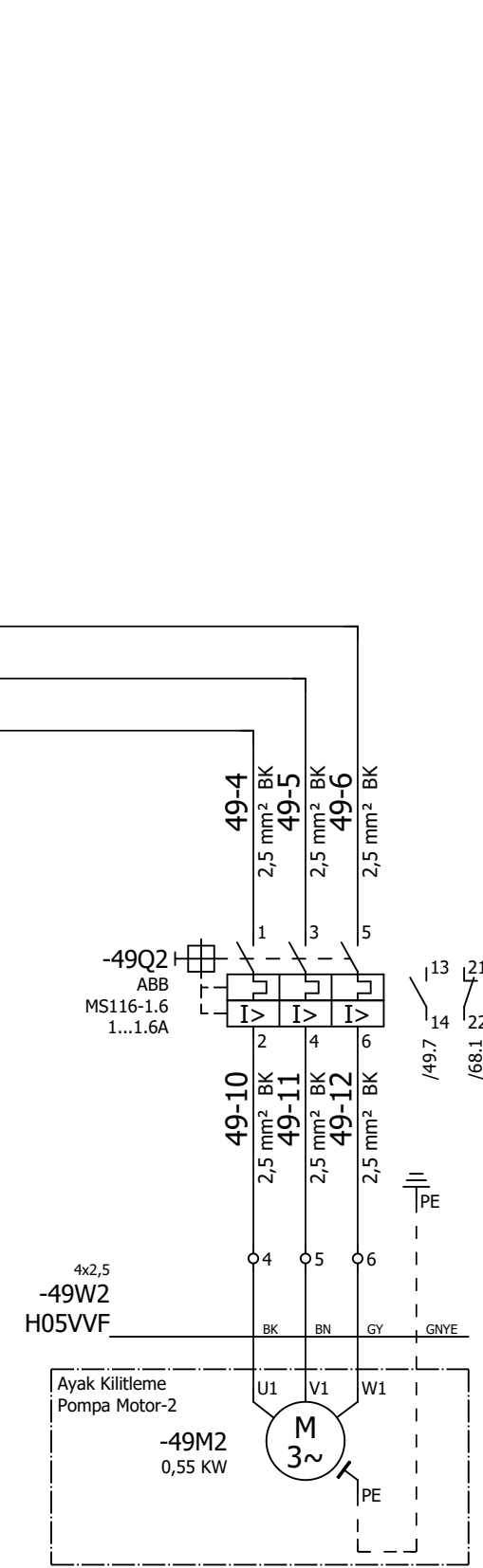
+ SMC00

Page / 48

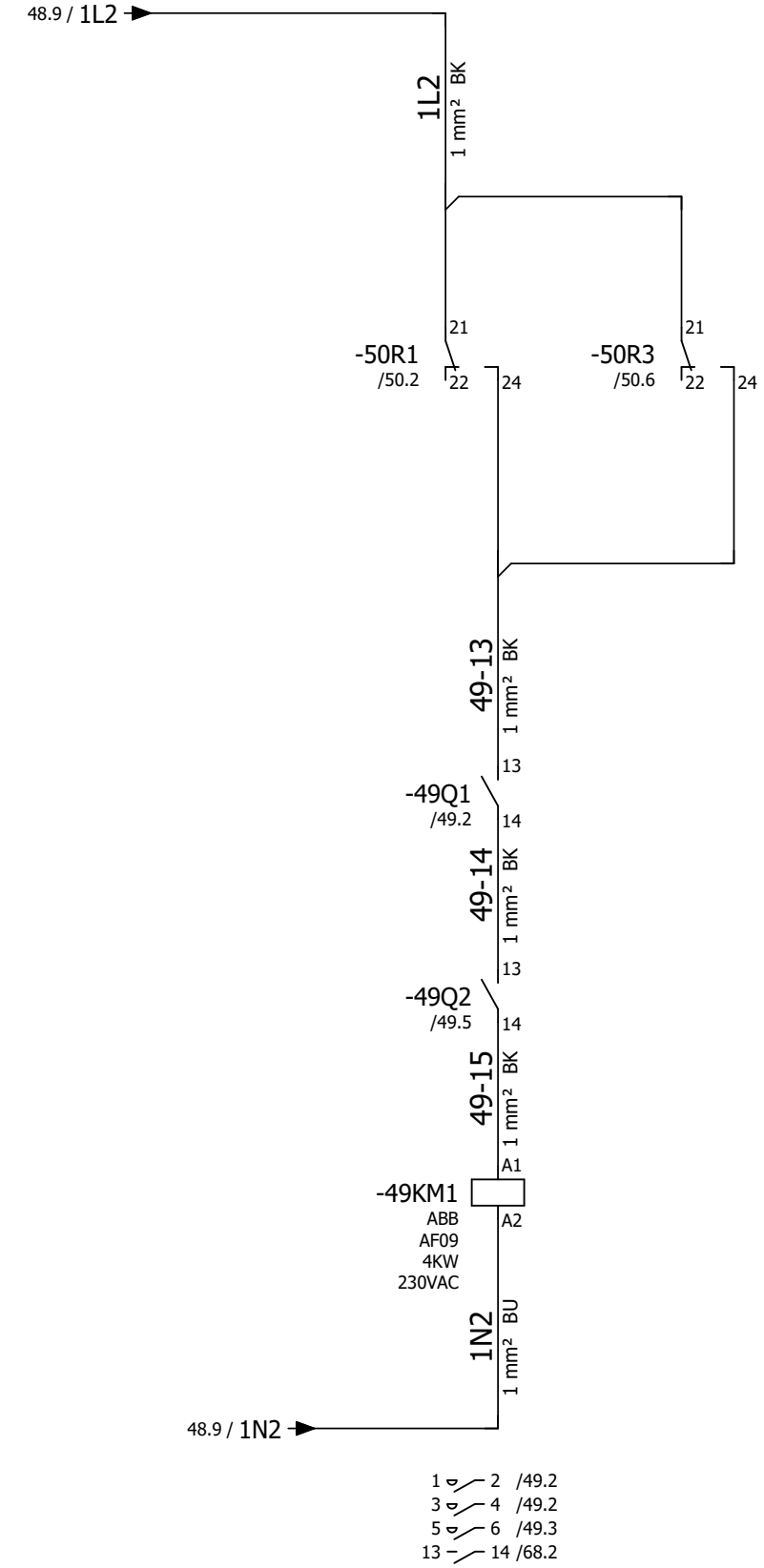
121



AYAK KİLİTLEME
POMPA MOTORU-1
(YALOVA)

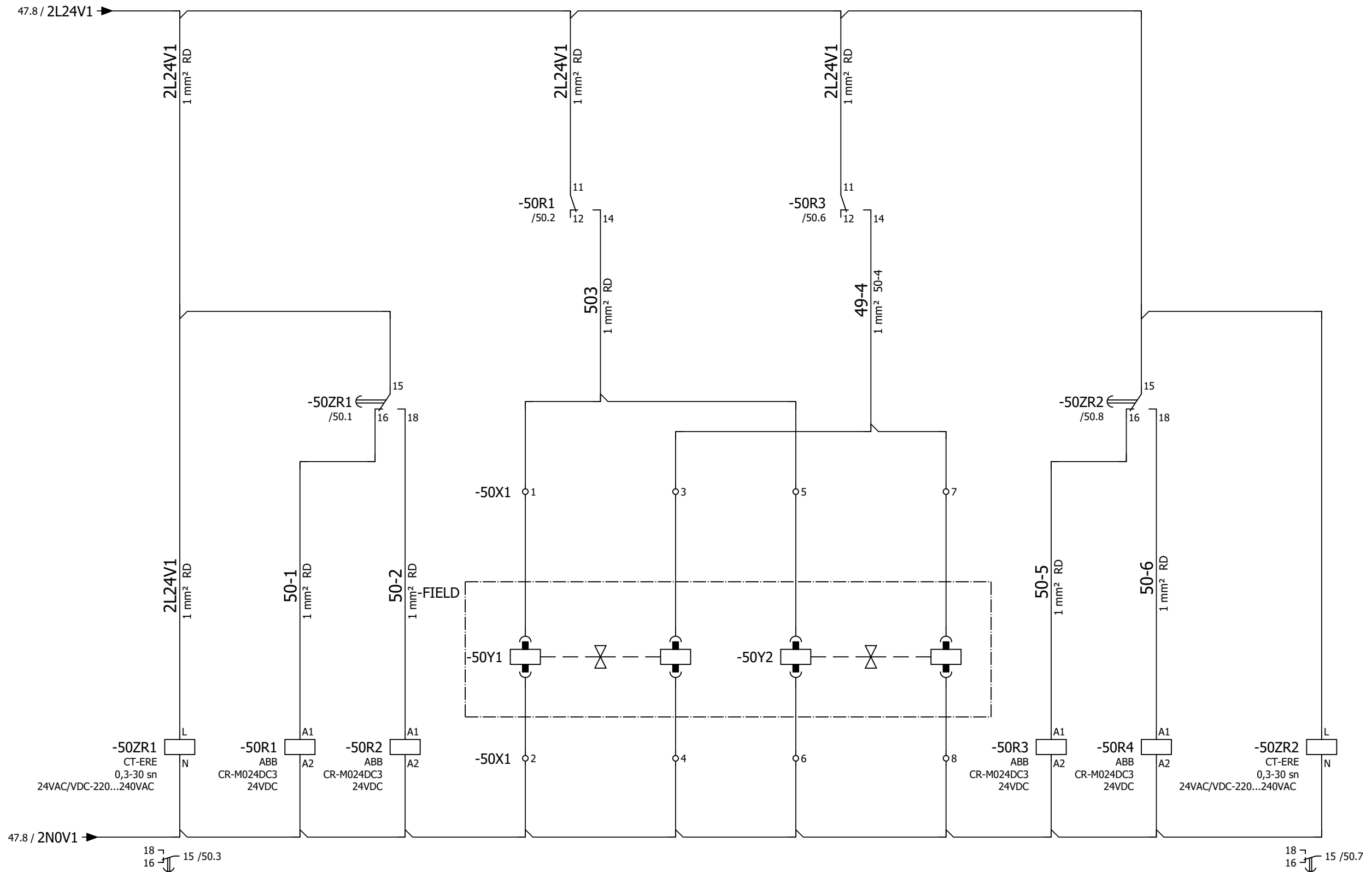


AYAK KİLİTLEME
POMPA MOTORU-2
(K. MÜRSEL)



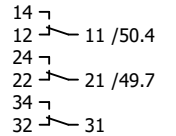
AYAK KİLİTLEME
POMPA MOTORLARI
KONTAKTÖRÜ

- 1 2 /49.2
- 3 4 /49.2
- 5 6 /49.3
- 13 14 /68.2

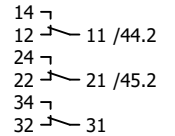


KAPATMA ZAMAN RÖLESİ

KAPATMA RÖLESİ



KAPATTI RÖLESİ



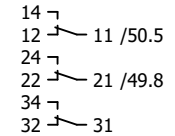
KİLİT VALFİ KAPATMA (YALOVA)

KİLİT VALFİ AÇMA (YALOVA)

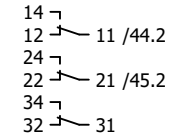
KİLİT VALFİ KAPATMA (K. MÜRSEL)

KİLİT VALFİ AÇMA (K. MÜRSEL)

AÇMA RÖLESİ



AÇTI RÖLESİ



AÇMA ZAMAN RÖLESİ

EDITOR	Kemal OLGUN
DATE	23.01.23
CONTROLLER	T.AKALTUN



ADS MÜHENDİSLİK

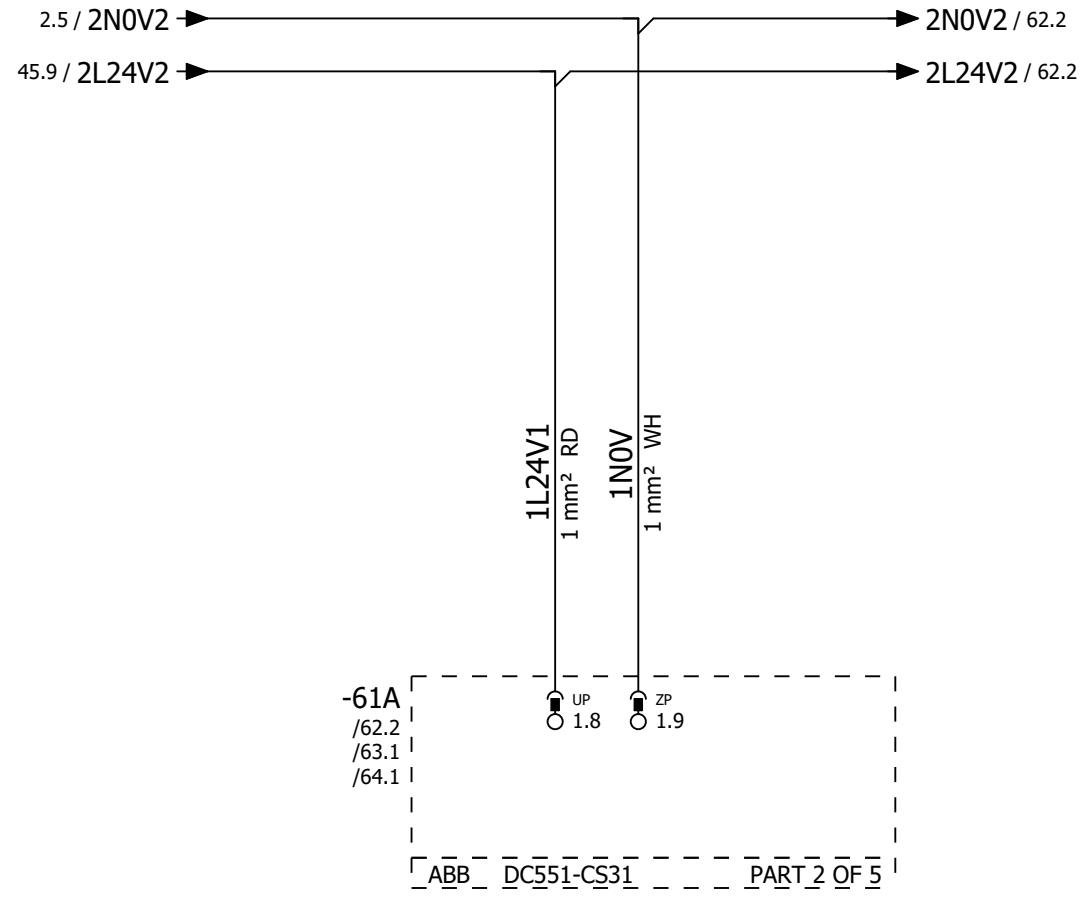
Yürütme Kilit Sistemi Kontrol Devresi

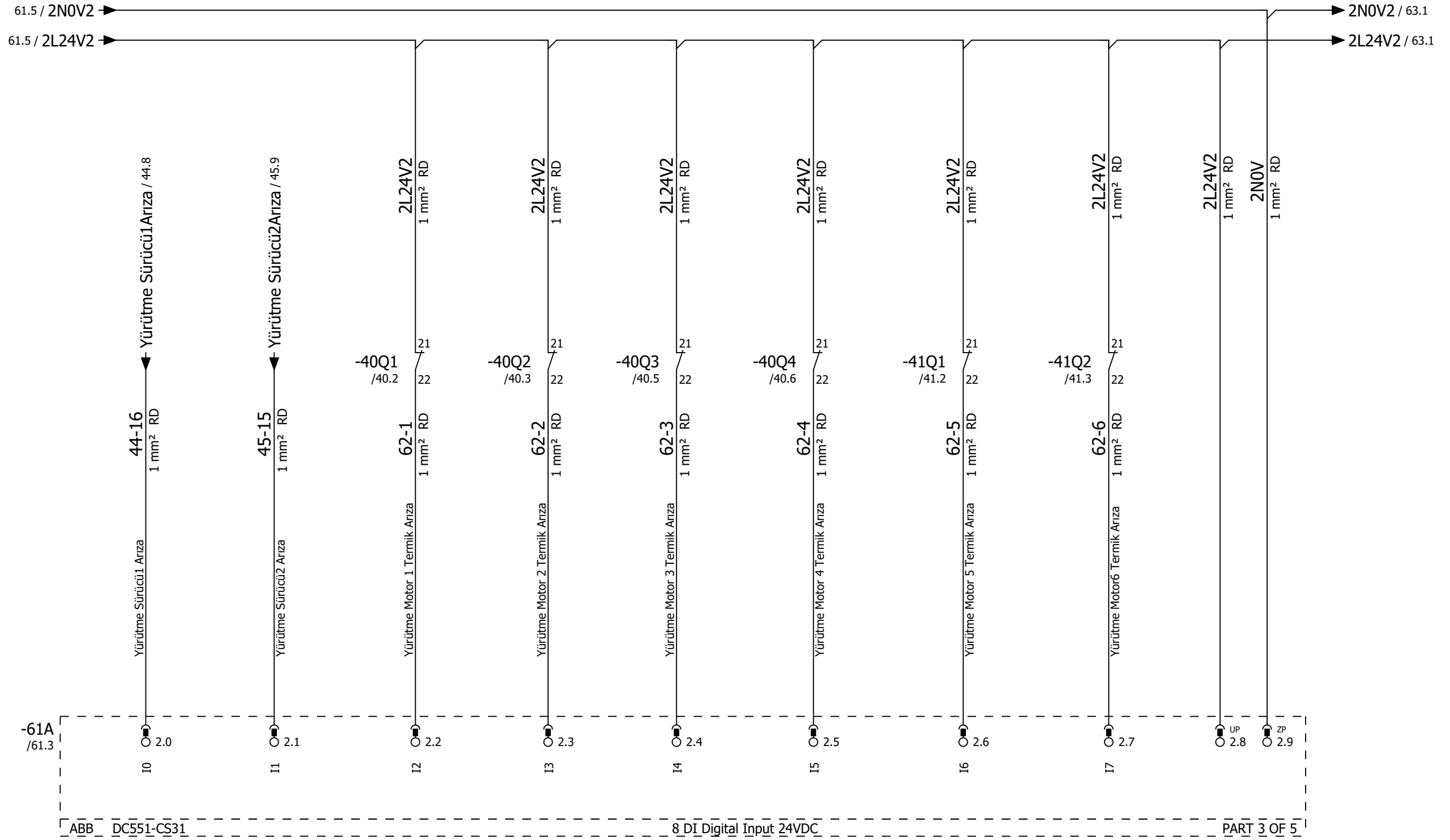
Yürütme Panosu

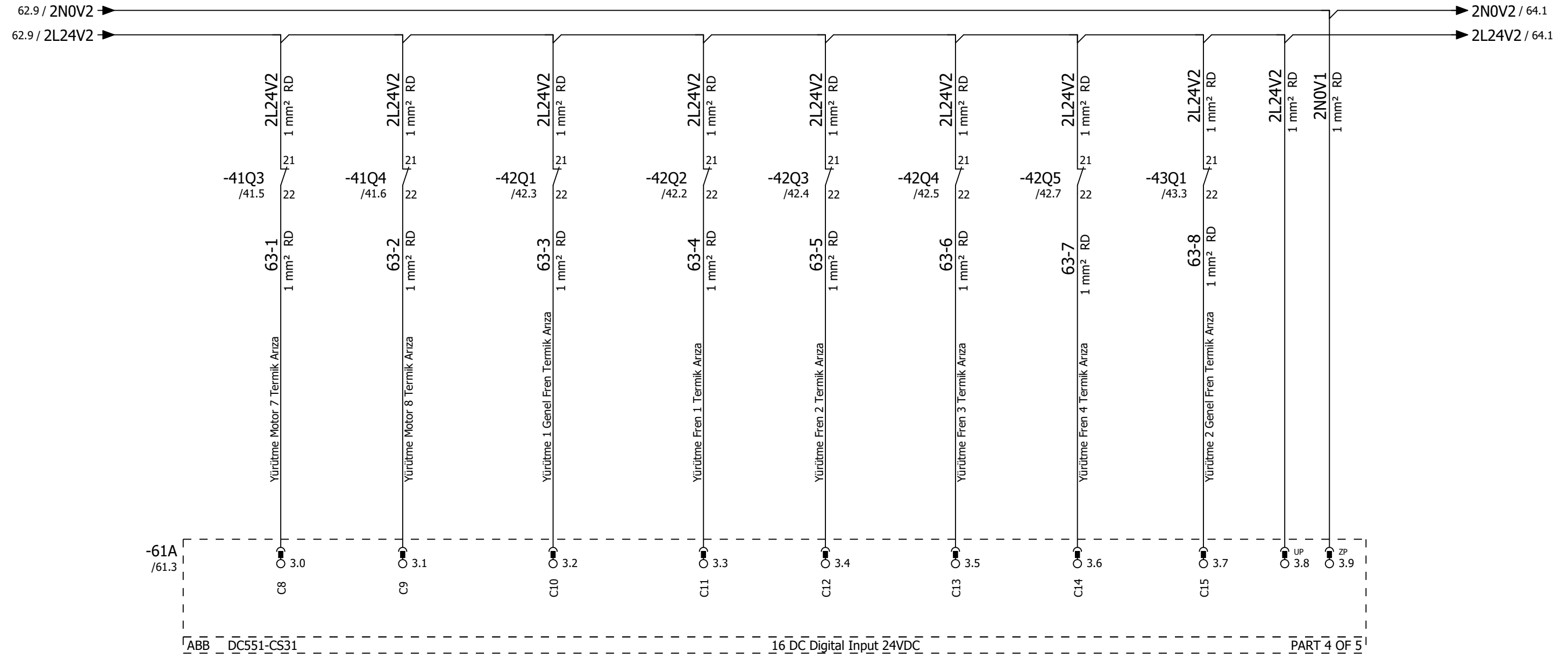
= 00SMC00GH00x
+ SMC00
Page /50
123

EDITOR	Kemal OLGUN
DATE	23.01.23
CONTROLLER	T.AKALTUN









EDITOR	Kemal OLGUN
DATE	23.01.23
CONTROLLER	T.AKALTUN

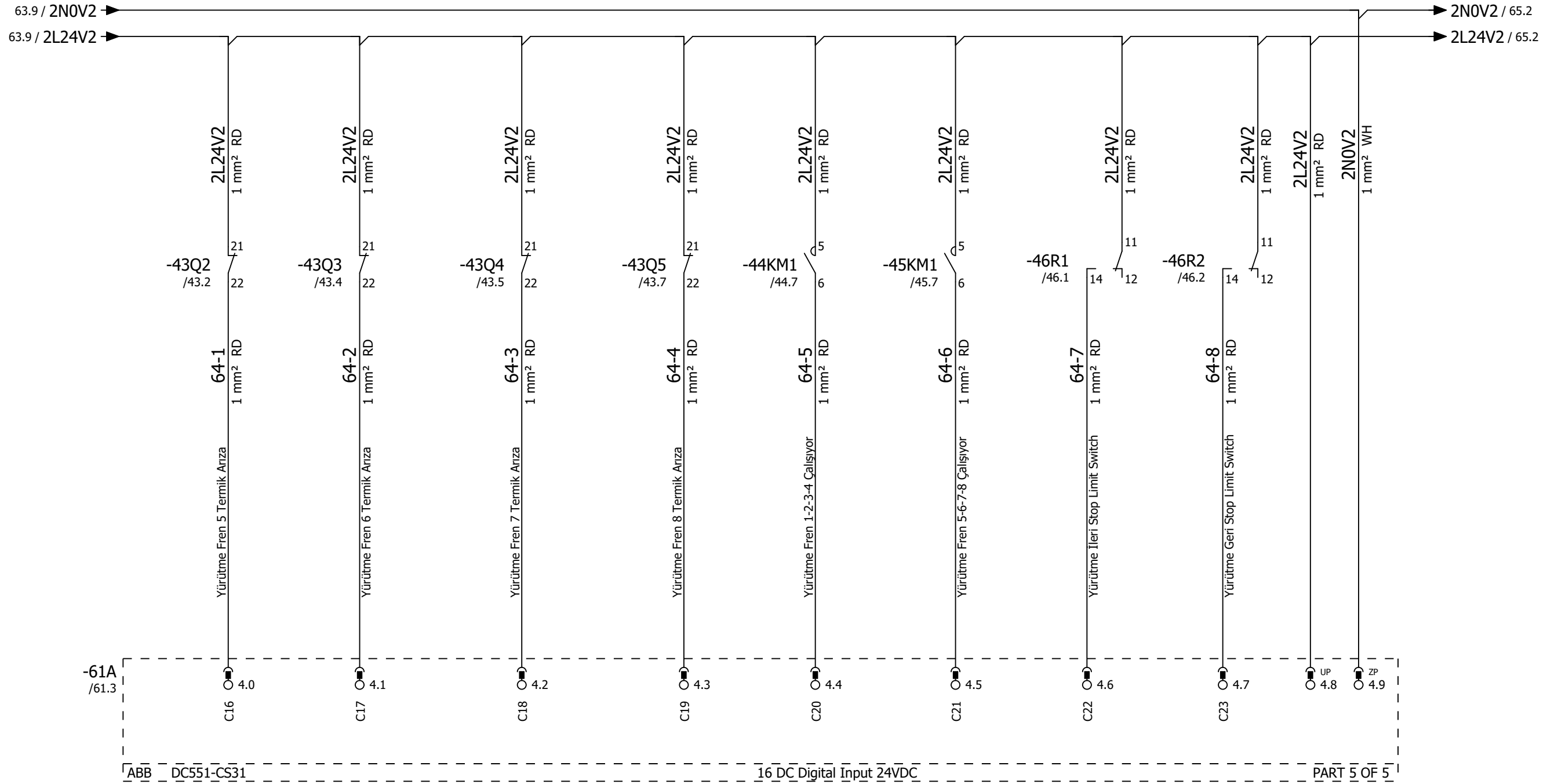


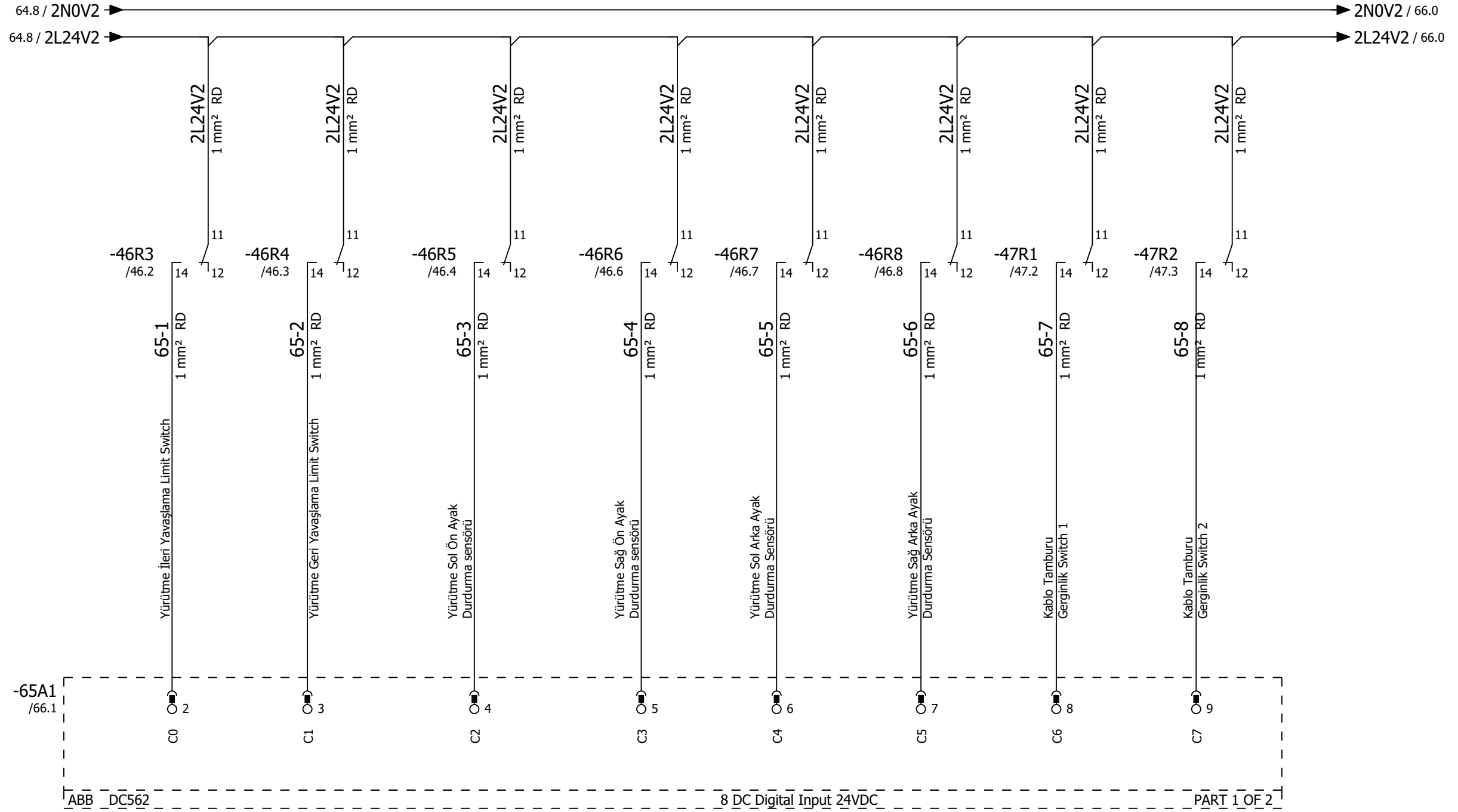
ADS MÜHENDİSLİK

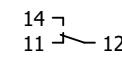
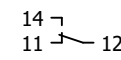
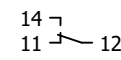
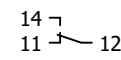
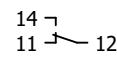
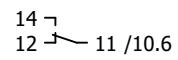
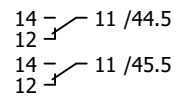
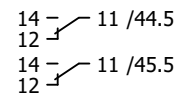
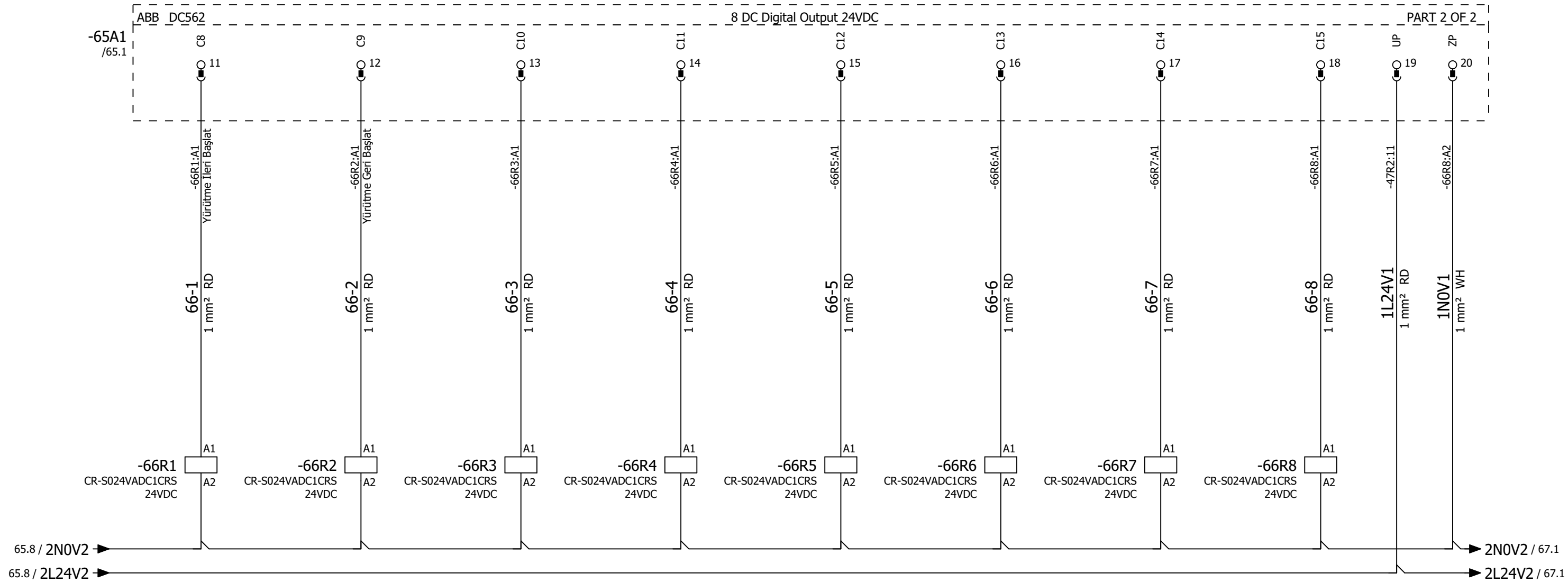
KART1/DC551-CS31-DI16

Yürütme Panosu

= 00SMC00GH00x
+ SMC00
Page /63
127



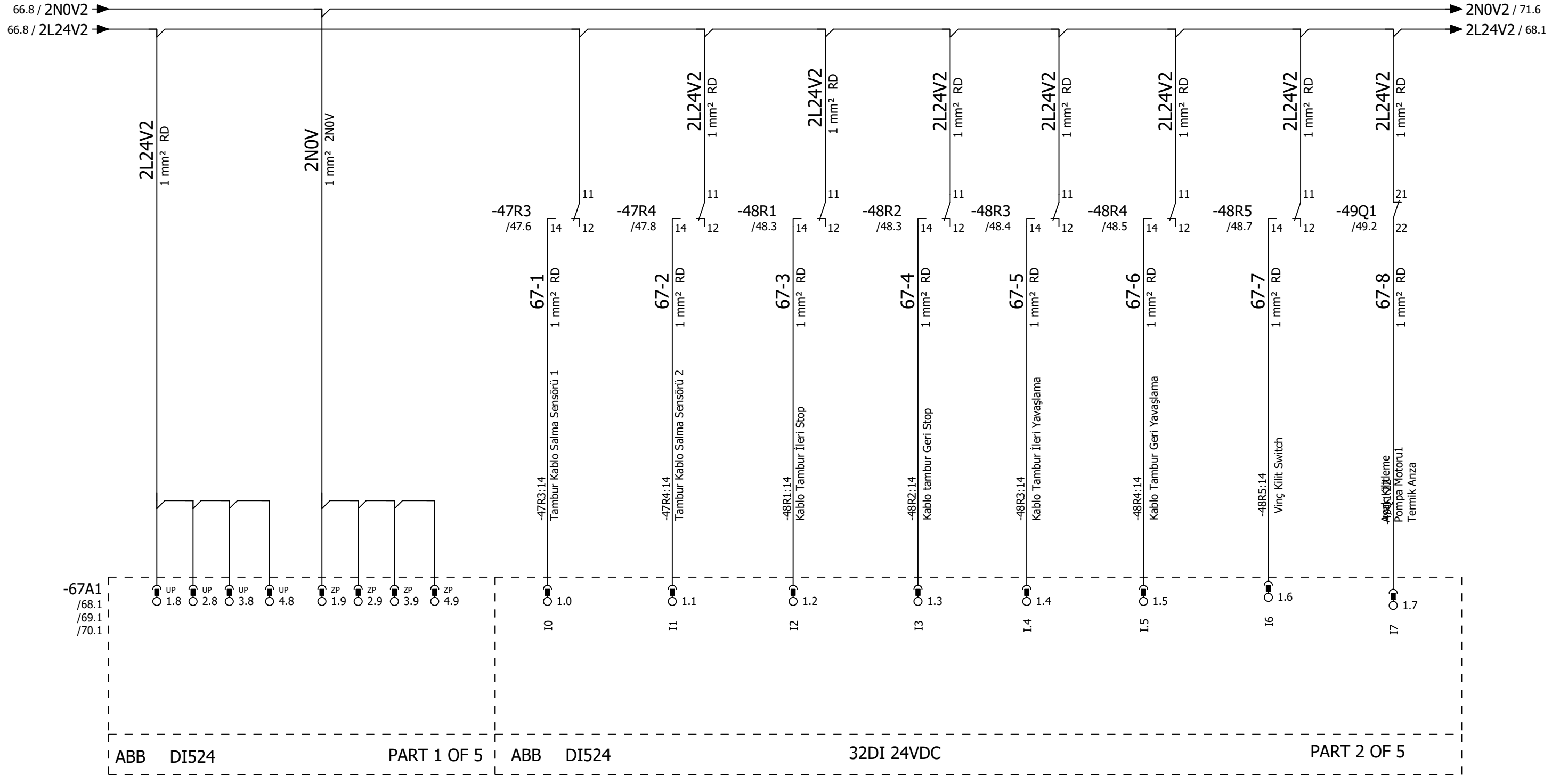




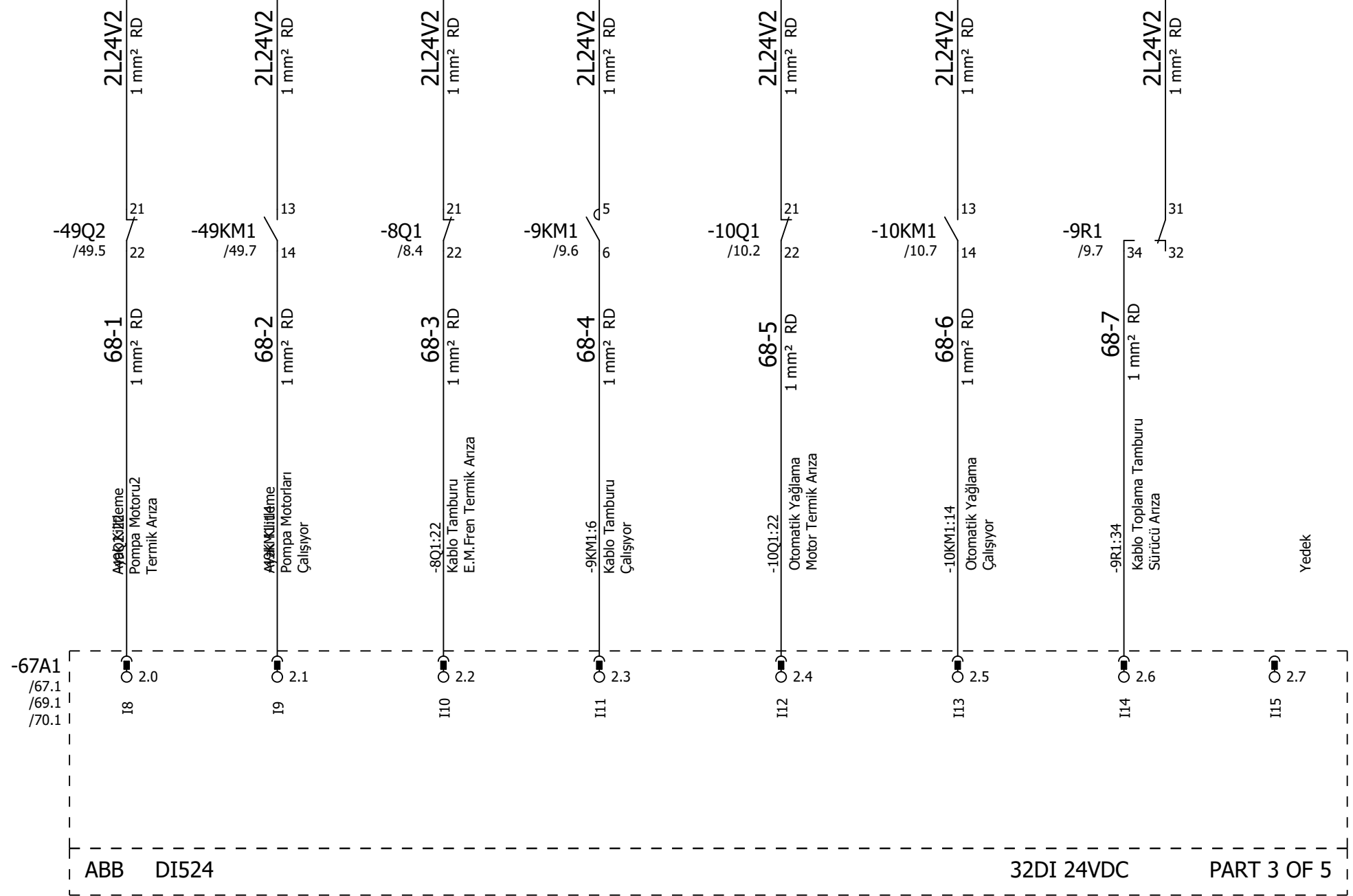
EDITOR	Kemal OLGUN
DATE	23.01.23
CONTROLLER	T.AKALTUN



= 00SMC00GH00x
+ SMC00
Page /66
130



67.9 / 2L24V2 → 2L24V2 / 71.6



EDITOR	Kemal OLGUN
DATE	23.01.23
CONTROLLER	T.AKALTUN

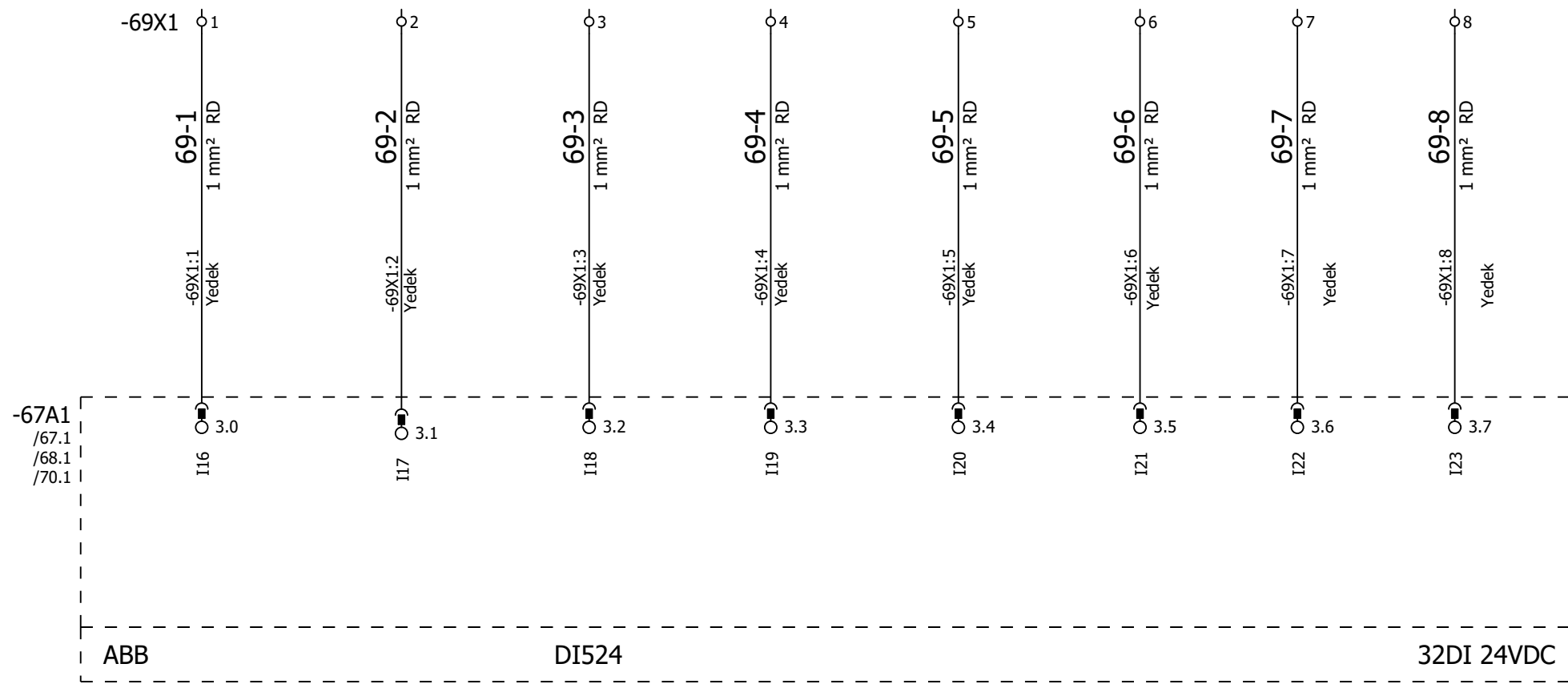


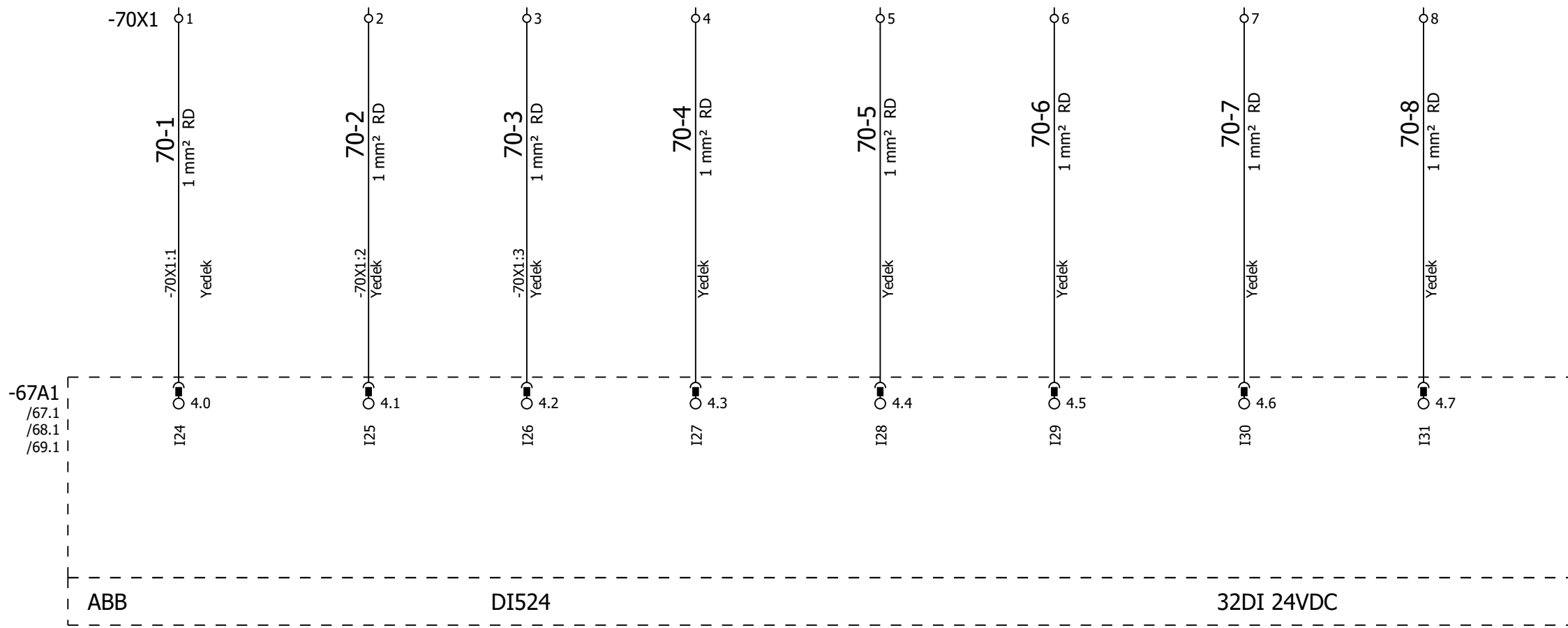
ADS MÜHENDİSLİK

KART1/DI524/DI32

Ana Pano

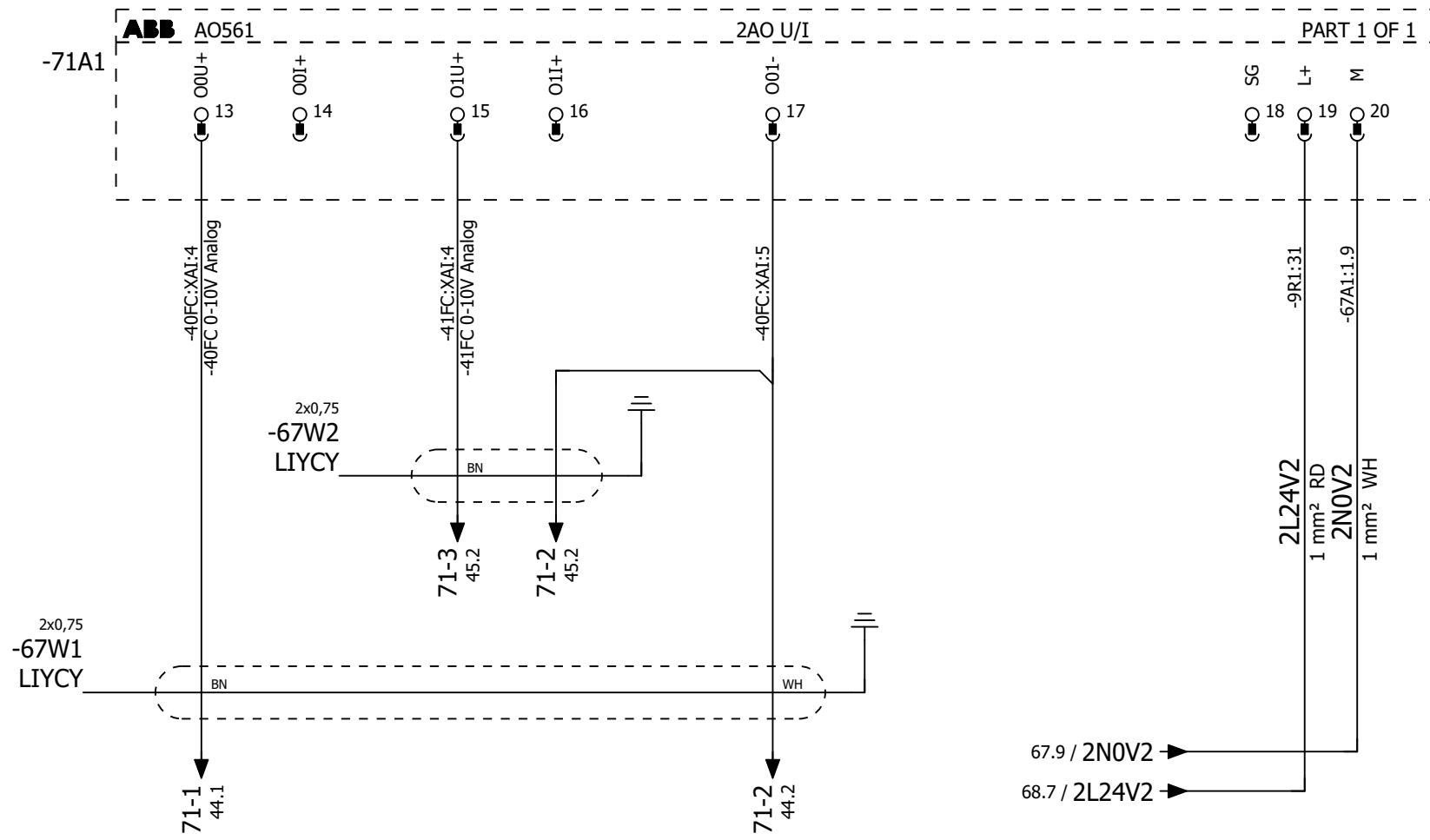
= 00SMC00GH00x
+ SMC00
Page /68
132





EDITOR	Kemal OLGUN
DATE	23.01.23
CONTROLLER	T.AKALTUN





EDITOR	Kemal OLGUN
DATE	23.01.23
CONTROLLER	T.AKALTUN



ADS MÜHENDİSLİK

KART3/AO561-AO2

Yürütme Panosu

= 00SMC00GH00x
+ SMC00
Page /71
135